

Fixed-Focus Lens

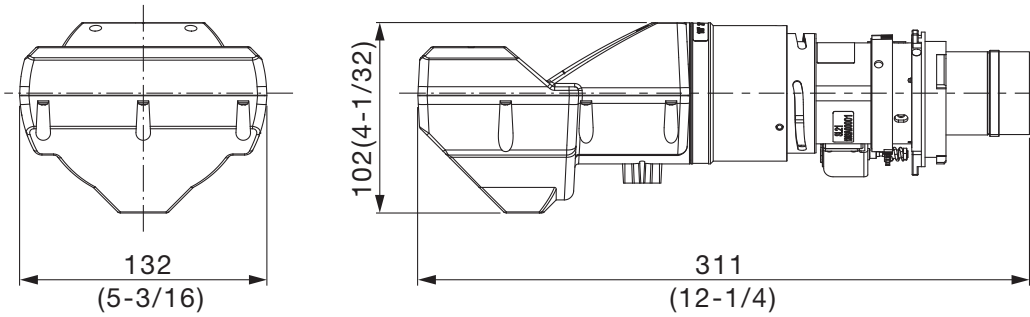
This fixed-focus lens is designed for use with Panasonic's applicable projectors. This lens is an ultra-short focal length lens which uses a mirror.

**NOTE:** The lens cannot be used by itself. It must be mounted onto the specified Panasonic DLP™ projector.

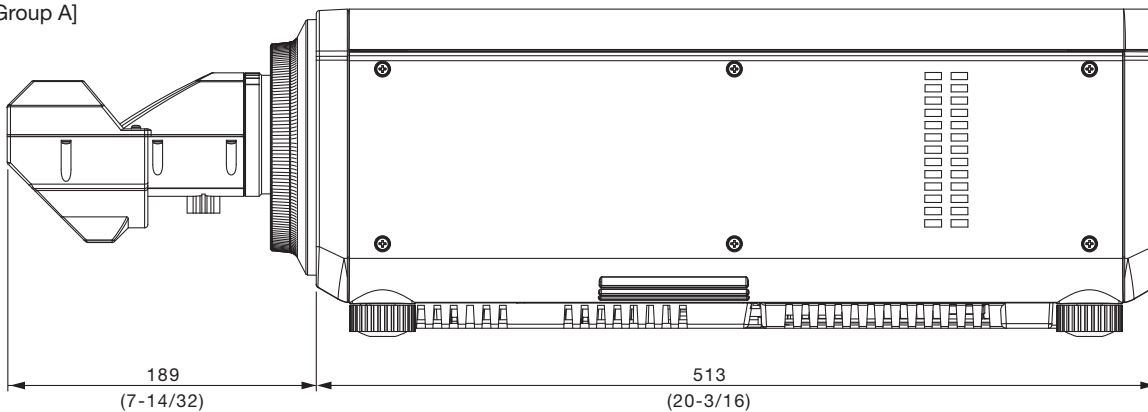
**Specifications**

F value:	2.0
Focal distance (f):	5.3 mm
Dimensions (W × H × D):	132 × 102 × 311 mm (5-3/16 × 4-1/32 × 12-1/4 inches)
Weight:	Approx 1.3 kg (3.1 lbs)
Applicable projector:	[Group A] PT-DZ870K/DZ870LK/DZ870W/DZ870LW/DW830K/DW830LK/DW830W/DW830LW/ DX100K/DX100LK/DX100W/DX100LW [Group B] PT-DZ770K/DZ770LK/DZ770S/DZ770LS/DW740S/DW740LS/DW740K/DW740LK/DX810S/ DX810LS/DX810K/DX810LK/DZ680K/DZ680LK/DZ680S/DZ680LS/DW640K/DW640LK/ DW640S/DW640LS/DX610K/DX610LK/DX610S/DX610LS/DZ6710/DZ6710L/DW730S/ DW730LS/DW730K/DW730LK/DX800S/DX800LS/DX800K/DX800LK/DZ6700/DZ6700L/ DW6300S/DW6300LS/DW6300K/DW6300LK/D6000S/D6000LS/D6000K/D6000LK/ D5000S/D5000LS

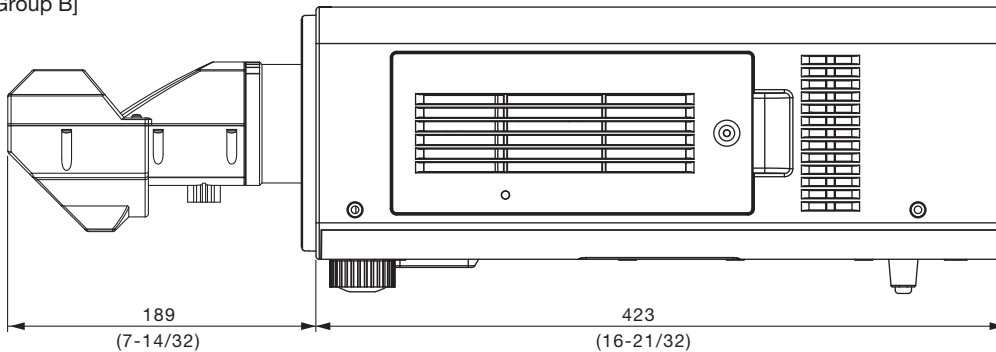
**Dimensions**



[Group A]



[Group B]



unit : mm (inch)  
**NOTE:** This illustration is not drawn to scale.

DLP is a trademark of Texas Instruments. Weights and dimensions shown are approximate. Specifications subject to change without notice.

Fixed-Focus Lens

ET-DLE030 Projection Distance Table

DZ870/DZ770/DZ680/DZ6710/DZ6700

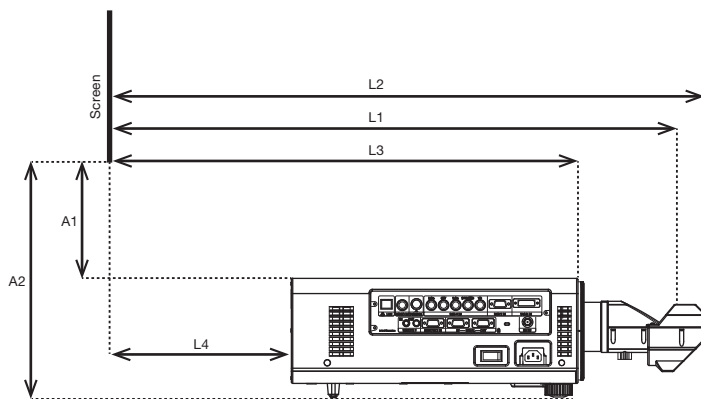
16 : 10 (WUXGA ; 1920 × 1200)

Unit : meters

Ultra-short focal length lens ET-DLE030 Close-up system dimensions												
Throw ratio			0.38:1		(0.39:1)		From rear of set to screen (L4)		From top of set to bottom edge of screen (A1)		From bottom of set to bottom edge of screen (A2)	
Diagonal image size (Inches)	Diagonal image size (m)	Height (SH)	Width (SW)	Projection distance (From mirror reflective surface to screen) (L1)	From tip of lens to screen (L2)	From front of set to screen (L3)	DZ870	DZ770/DZ680 DZ6710 DZ6700	DZ870	DZ770/DZ680 DZ6710 DZ6700	DZ870	DZ770/DZ680 DZ6710 DZ6700
100	2.54	1.35	2.15	0.82	0.84	0.65	0.14	0.23	0.43	0.44	0.63	0.61
120	3.05	1.62	2.59	0.98	1.00	0.82	0.30	0.39	0.53	0.54	0.73	0.71
150	3.81	2.02	3.23	1.23	1.25	1.06	0.55	0.64	0.68	0.69	0.88	0.86
200	5.08	2.69	4.31	1.63	1.66	1.47	0.95	1.04	0.93	0.94	1.13	1.11
250	6.35	3.37	5.39	2.04	2.06	1.87	1.36	1.45	1.18	1.19	1.38	1.36
300	7.62	4.04	6.46	2.45	2.47	2.28	1.77	1.86	1.43	1.44	1.63	1.61
350	8.89	4.71	7.54	2.85	2.88	2.69	2.18	2.27	1.69	1.69	1.89	1.87

Unit : feet

Ultra-short focal length lens ET-DLE030 Close-up system dimensions												
Throw ratio			0.38:1		(0.39:1)		From rear of set to screen (L4)		From top of set to bottom edge of screen (A1)		From bottom of set to bottom edge of screen (A2)	
Diagonal image size (Inches)	Diagonal image size (m)	Height (SH)	Width (SW)	Projection distance (From mirror reflective surface to screen) (L1)	From tip of lens to screen (L2)	From front of set to screen (L3)	DZ870	DZ770/DZ680 DZ6710 DZ6700	DZ870	DZ770/DZ680 DZ6710 DZ6700	DZ870	DZ770/DZ680 DZ6710 DZ6700
100	2.54	4.4	7.1	2.7	2.8	2.1	0.5	0.8	1.4	1.4	2.1	2.0
120	3.05	5.3	8.5	3.2	3.3	2.7	1.0	1.3	1.7	1.8	2.4	2.3
150	3.81	6.6	10.6	4.0	4.1	3.5	1.8	2.1	2.2	2.3	2.9	2.8
200	5.08	8.8	14.1	5.4	5.4	4.8	3.1	3.4	3.1	3.1	3.7	3.6
250	6.35	11.0	17.7	6.7	6.8	6.1	4.5	4.8	3.9	3.9	4.5	4.5
300	7.62	13.3	21.2	8.0	8.1	7.5	5.8	6.1	4.7	4.7	5.4	5.3
350	8.89	15.5	24.7	9.4	9.4	8.8	7.1	7.4	5.5	5.5	6.2	6.1



- L1: Projection distance (from screen to mirror reflective surface)
- L2: From screen to tip of lens
- L3: From screen to front of set
- L4: From screen to rear of set
- A1: From bottom edge of screen to top of set
- A2: From bottom edge of screen to bottom of set

Projection Distance Calculation Table

Screen aspect ratio 16:10

Projection distance calculation formula

$$L1 (m) = 0.00814 \times \text{Diagonal image size} + 0.00467$$

Calculation formula for distance from top of set to bottom edge of screen

DZ870	A1 (m) = 0.00502 × Diagonal image size - 0.07210
DZ770/DZ680/DZ6710/DZ6700	A1 (m) = 0.00502 × Diagonal image size - 0.06710

Fixed-Focus Lens

DW830/DW740/DW730/DW640/DW6300

16 : 10 (WXGA ; 1280 × 800)

Unit : meters

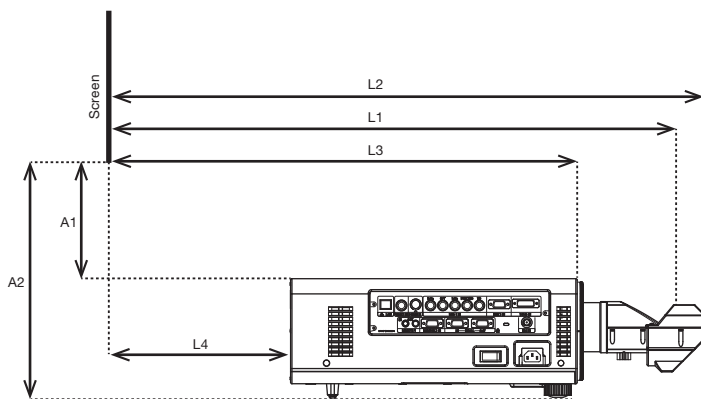
Ultra-short focal length lens ET-DLE030  
Close-up system dimensions

Diagonal image size (Inches)	Diagonal image size (m)	Throw ratio		Projection distance (From mirror reflective surface to screen) (L1)	From tip of lens to screen (L2)	From front of set to screen (L3)	From rear of set to screen (L4)		From top of set to bottom edge of screen (A1)		From bottom of set to bottom edge of screen (A2)	
		0.40:1	(0.41:1)				DW830	DW740/DW730 DX640 DW6300	DW830	DW740/DW730 DX640 DW6300	DW830	DW740/DW730 DX640 DW6300
100	2.54	1.35	2.15	0.86	0.88	0.69	0.18	0.27	0.59	0.59	0.79	0.77
120	3.05	1.62	2.59	1.03	1.05	0.86	0.35	0.44	0.72	0.72	0.92	0.90
150	3.81	2.02	3.23	1.29	1.31	1.12	0.61	0.70	0.92	0.92	1.12	1.10
200	5.08	2.69	4.31	1.71	1.74	1.55	1.04	1.13	1.25	1.25	1.45	1.43
250	6.35	3.37	5.39	2.14	2.16	1.98	1.46	1.55	1.58	1.58	1.78	1.76
300	7.62	4.04	6.46	2.57	2.59	2.40	1.89	1.98	1.91	1.91	2.11	2.09
350	8.89	4.71	7.54	3.00	3.02	2.83	2.32	2.41	2.24	2.24	2.44	2.42

Unit : feet

Ultra-short focal length lens ET-DLE030  
Close-up system dimensions

Diagonal image size (Inches)	Diagonal image size (m)	Throw ratio		Projection distance (From mirror reflective surface to screen) (L1)	From tip of lens to screen (L2)	From front of set to screen (L3)	From rear of set to screen (L4)		From top of set to bottom edge of screen (A1)		From bottom of set to bottom edge of screen (A2)	
		0.40:1	(0.41:1)				DW830	DW740/DW730 DX640 DW6300	DW830	DW740/DW730 DX640 DW6300	DW830	DW740/DW730 DX640 DW6300
100	2.54	4.4	7.1	2.8	2.9	2.3	0.6	0.9	1.9	1.9	2.6	2.5
120	3.05	5.3	8.5	3.4	3.5	2.8	1.2	1.4	2.4	2.4	3.0	2.9
150	3.81	6.6	10.6	4.2	4.3	3.7	2.0	2.3	3.0	3.0	3.7	3.6
200	5.08	8.8	14.1	5.6	5.7	5.1	3.4	3.7	4.1	4.1	4.7	4.7
250	6.35	11.0	17.7	7.0	7.1	6.5	4.8	5.1	5.2	5.2	5.8	5.8
300	7.62	13.3	21.2	8.4	8.5	7.9	6.2	6.5	6.3	6.3	6.9	6.8
350	8.89	15.5	24.7	9.8	9.9	9.3	7.6	7.9	7.3	7.3	8.0	7.9



- L1: Projection distance (from screen to mirror reflective surface)
- L2: From screen to tip of lens
- L3: From screen to front of set
- L4: From screen to rear of set
- A1: From bottom edge of screen to top of set
- A2: From bottom edge of screen to bottom of set

Projection Distance Calculation Table

Screen aspect ratio 16:10

Projection distance calculation formula

$$L1 (m) = 0.00855 \times \text{Diagonal image size} + 0.00467$$

Calculation formula for distance from top of set to bottom edge of screen

DW830	A1 (m) = 0.00660 × Diagonal image size - 0.07396
DW740/DW730/DW640/DW6300	A1 (m) = 0.00660 × Diagonal image size - 0.06896

Fixed-Focus Lens

DX100/DX810/DX800/DX610/D6000/D5000

4 : 3 (XGA ; 1024 x 768)

Unit : meters

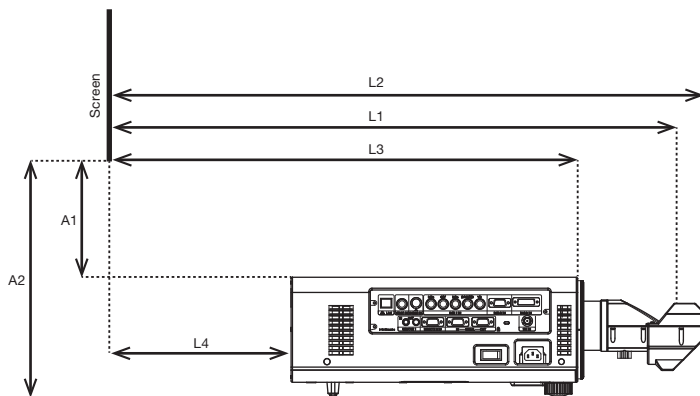
Ultra-short focal length lens ET-DLE030  
Close-up system dimensions

Throw ratio		0.39:1		(0.41:1)		From front of set to screen (L3)	From rear of set to screen (L4)		From top of set to bottom edge of screen (A1)		From bottom of set to bottom edge of screen (A2)	
Diagonal image size (Inches)	Diagonal image size (m)	Height (SH)	Width (SW)	Projection distance (From mirror reflective surface to screen) (L1)	From tip of lens to screen (L2)		DX100	DX810/DX800 DX610/D6000 D5000	DX100	DX810/DX800 DX610/D6000 D5000	DX100	DX810/DX800 DX610/D6000 D5000
100	2.54	1.52	2.03	0.80	0.82	0.63	0.12	0.21	0.41	0.41	0.61	0.59
120	3.05	1.83	2.44	0.96	0.98	0.79	0.28	0.37	0.50	0.51	0.70	0.68
150	3.81	2.29	3.05	1.20	1.22	1.03	0.52	0.61	0.65	0.65	0.85	0.83
200	5.08	3.05	4.06	1.60	1.62	1.43	0.92	1.01	0.88	0.89	1.08	1.06
250	6.35	3.81	5.08	1.99	2.02	1.83	1.32	1.41	1.12	1.13	1.32	1.30
300	7.62	4.57	6.10	2.39	2.42	2.23	1.71	1.80	1.36	1.37	1.56	1.54
350	8.89	5.33	7.11	2.79	2.81	2.62	2.11	2.20	1.60	1.61	1.80	1.78

Unit : feet

Ultra-short focal length lens ET-DLE030  
Close-up system dimensions

Throw ratio		0.39:1		(0.41:1)		From front of set to screen (L3)	From rear of set to screen (L4)		From top of set to bottom edge of screen (A1)		From bottom of set to bottom edge of screen (A2)	
Diagonal image size (Inches)	Diagonal image size (m)	Height (SH)	Width (SW)	Projection distance (From mirror reflective surface to screen) (L1)	From tip of lens to screen (L2)		DX100	DX810/DX800 DX610/D6000 D5000	DX100	DX810/DX800 DX610/D6000 D5000	DX100	DX810/DX800 DX610/D6000 D5000
100	2.54	5.0	6.7	2.6	2.7	2.1	0.4	0.7	1.3	1.3	2.0	1.9
120	3.05	6.0	8.0	3.1	3.2	2.6	0.9	1.2	1.6	1.7	2.3	2.2
150	3.81	7.5	10.0	3.9	4.0	3.4	1.7	2.0	2.1	2.1	2.8	2.7
200	5.08	10.0	13.3	5.2	5.3	4.7	3.0	3.3	2.9	2.9	3.6	3.5
250	6.35	12.5	16.7	6.5	6.6	6.0	4.3	4.6	3.7	3.7	4.3	4.3
300	7.62	15.0	20.0	7.8	7.9	7.3	5.6	5.9	4.5	4.5	5.1	5.1
350	8.89	17.5	23.3	9.2	9.2	8.6	6.9	7.2	5.3	5.3	5.9	5.8



- L1: Projection distance (from screen to mirror reflective surface)
- L2: From screen to tip of lens
- L3: From screen to front of set
- L4: From screen to rear of set
- A1: From bottom edge of screen to top of set
- A2: From bottom edge of screen to bottom of set

Projection Distance Calculation Table

Screen aspect ratio 4:3

Projection distance calculation formula

$$L1 (m) = 0.00796 \times \text{Diagonal image size} + 0.00467$$

Calculation formula for distance from top of set to bottom edge of screen

DX100	A1 (m) = 0.00478 x Diagonal image size - 0.07149
DX810/DX800/DX610/D6000/D5000	A1 (m) = 0.00478 x Diagonal image size - 0.06649