

Wall-hanging bracket

ET-PKC200W

Description

This bracket is used when mounting a Panasonic's applicable projector to walls.

Specifications	Vertical correction angle:	+4° - -2°
	Horizontal slant correction angle:	+5° - -5°
	Dimensions (W × H × D):	463 × 244 × 711 mm (18-7/32 × 7-27/32 × 28 inches)
	Weight:	Approx. 8.5 kg* (18.7 lbs*)
	Applicable projector:	PT-CW331R/CW330/CW241R/CW240/CX301R/CX300

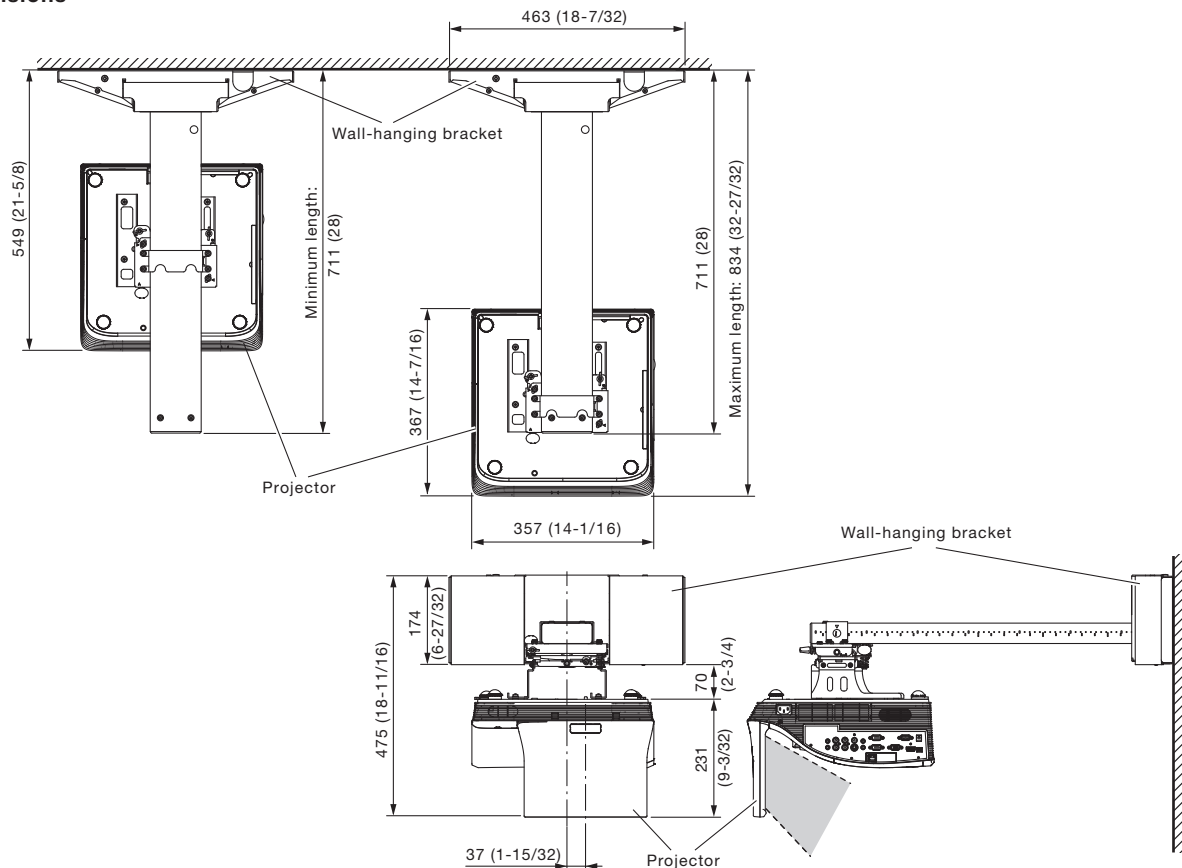
* Average value. May differ depending on models.

Parts	Wall-hanging bracket 1	Washer-fitted hexagonal bolts (M8 × 20) 4
	Cover plate 2	Washer-fitted hexagonal bolts (M5 × 10) 2
	Arm bracket with adjustment unit 1	Safety wire 1
	Projector mounting bracket (L) 1	Cable tie 2
	Projector mounting bracket (R) 1	Wall-hanging bracket mounting sheet 1
	Washer-fitted screws (M4 × 10) 9		

Caution:

- Mounting should be done by a qualified technician.
- Make sure that the mounting (wall) area has sufficient strength.
- Read the enclosed mounting instructions thoroughly before starting.
- Do not use an electric screwdriver or impact driver to tighten screws. Use a torque driver or hexagon torque wrench and tighten screws to the torque specified in the instructions.
- When the product is no longer going to be used, have it disposed of quickly by a professional disposal service.

Dimensions

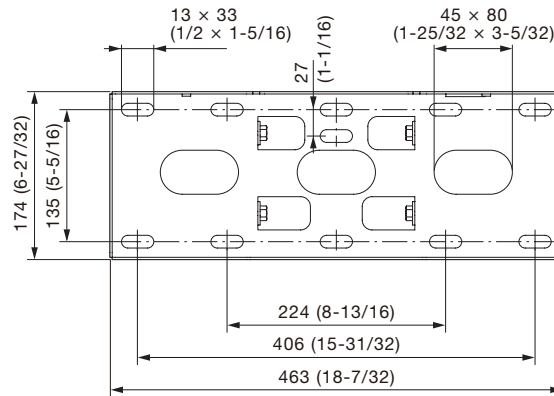


The illustration shows the wall-hanging bracket attached to the projector.

unit : mm (inch)
NOTE: This illustration is not drawn to scale.

Dimensions

- Wall-hanging bracket



unit : mm (inch)
 NOTE: This illustration is not drawn to scale.

Weights and dimensions shown are approximate.
 Specifications and appearance are subject to change without notice.