

Specifications

Main unit

| | | |
|--|--|--|
| Power supply | | AC 100V - 240V, 50Hz/60Hz |
| Power consumption | | 640 W (6.5A - 2.7A) (650VA) NORMAL: 570 W, QUIET: 420 W, SHUTTER: 85 W * Operating Temperature: 25 °C (77 °F), Altitude: 700 m (2,297 ft), IEC62087: 2008 Broadcast contents, Picture mode: Standard, Dynamic Contrast 2 During standby: 8 W When [STANDBY MODE] is set to [NORMAL] 0.5 W When [STANDBY MODE] is set to [ECO] |
| BTU value | | Max 1,945 BTU |
| LCDpanel | Panel size | 25.4 mm [1.0 in] diagonal (16:10 aspect ratio) |
| | Projection system | Transparent LCD panel (x 3, R/G/B) |
| | Pixels | 2,304,000 (1920 x 1200) x 3 |
| Light source | | Laser Diode |
| Light output ^{1, 2} | | 10,000 lm ¹ (When [OPERATING MODE] is set to [NORMAL]) |
| Time until light output declines to 50% ³ | | 20,000 hours (NORMAL, QUIET) |
| Resolution | | 1920 x 1200 pixels |
| Contrast ratio ¹ | | 3,000,000:1 (all white/all black) (Dynamic Contrast 3) |
| Screen size | | 2.03-12.7 m [80-500 in] diagonally, 16:10 aspect ratio |
| Center to corner zone ratio ¹ | | 85% |
| Lens | | Optional powered zoom/focus lenses and fixed-focus lens |
| Optical axis shift | | Vertical ±60%, Horizontal ±20% Vertical ±40%, Horizontal ±19% (ET-EMW200) Vertical ±50%, Horizontal ±20% (ET-EMW300) |
| Installation | | Ceiling/floor, front/rear |
| Compatible Signal | RGB signal input | <ul style="list-style-type: none"> Resolution: 640 x 480 to 1920 x 1200 Dot clock frequency: 162 MHz or less PIAS (Panasonic Intelligent Auto Scanning) system |
| | YCbCr/YPbPr signal input | <ul style="list-style-type: none"> Resolution: 480p/576p to 1920 x 1080 Dot clock frequency: 148.5 MHz or less The HD/SYNC and VD terminals do not support 3 value SYNC. |
| | DVI-D signal input | <ul style="list-style-type: none"> Moving image signal resolution: 480p/576p to 1920 x 1080 Still image signal resolution: 640 x 480 to 1920 x 1200 (non-interlace) Dot clock frequency: 25 MHz to 162 MHz |
| | HDMI signal input | <ul style="list-style-type: none"> Moving image signal resolution: 480p/576p to 4096 x 2160 Still image signal resolution: 640 x 480 to 1920 x 1200 (non-interlace) Dot clock frequency: 25 MHz to 594 MHz |
| | DIGITAL LINK signal input | <ul style="list-style-type: none"> Moving image signal resolution: 480p/576p to 4096 x 2160 Still image signal resolution: 640 x 480 to 1920 x 1200 (non-interlace) Dot clock frequency: 25 MHz to 297 MHz |
| | SDI signal input | HD-SDI signal 3G-SDI signal |
| Terminals | SDI IN | BNC x 1 3G-SDI signal: SMPTE ST 424, 425-2 compliant HD-SDI signal: SMPTE ST 292 compliant |
| | HDMI IN | HDMI 19-pin x 1 Deep Color, compatible with HDCP 1x / HDCP2.2, 4K/60p ⁴ signal input |
| | DVI-D IN | DVI-D 24pin x 1 compatible with HDCP 1x |
| | RGB1 IN | D-sub 15-pin (female) x 1 RGB/YPbPr |
| | SERIAL/MULTI PROJECTOR SYNC IN | D-sub 9-pin (female) x 1 for external control (RS-232C compliant) |
| | SERIAL/MULTI PROJECTOR SYNC OUT | D-sub 9-pin (male) x 1 for link control |
| | REMOTE 1 IN | D-sub 9-pin (female) x 1 for external control (parallel) |
| | REMOTE 2 IN | M3 jack x 1 for wired remote control |
| | REMOTE 2 OUT | M3 jack x 1 for link control (for wired remote control) |
| | DIGITAL LINK | RJ-45 x 1 for network and DIGITAL LINK (video/network/serial control) (HDBase™ compliant), PJLink [class 2] compatible, 100Base-TX, Art-Net compatible, HDCP 2.2compatible, Deep Color compatible, 4K/60p ⁴ signal input |
| | LAN | RJ-45 x 1 for network connection, PJLink [class 2] compatible, 10Base-T/100Base-TX, Art-Net compatible |
| DC OUT | USB type-A x 1 for power supply DC 5V, 2A | |

Note

● For more information on ET-EMU100, please check ET-EMU100's specsheet.

| | | | |
|-------------------------------------|-----------------------------------|---|---|
| Power cord length | | 3.0 m [9 ft 10 in] | |
| Cabinet materials | | Molded plastic | |
| Dimensions (W x H x D) ⁵ | | 650 x 211 x 440 mm [25-19/32 x 8-5/16 x 17-21/64 in] | |
| Weight ⁶ | | 22.3 kg (49.2 lbs) (without lens) | |
| Operating noise | | 35 dB (NORMAL) /30 dB (QUIET) | |
| Operating environment | Operating environment temperature | 0 °C (32 °F) to 45 °C (113 °F) ⁷ | |
| | Operating environment humidity | 10% to 80% (no condensation) | |
| Laser Classification | Laser Class | USA and Canada: Class 3R (IEC60825-1:2007) Other countries or regions: Class 1 (IEC/EN 60825-1:2014) | |
| | Risk Group | ET-EMW200/ET-EMW300/ET-EMW400/ ET-EMW500/ET-EMS600/ET-EMT700 | Risk Group 2 (IEC 62471-5:2015) |
| | | ET-EMT800 ⁸ | Risk Group 2 or Risk Group 3 (IEC 62471-5:2015) |

Remote control unit

| | |
|------------------------|--|
| Power supply | 3V DC (AAA/R03/LR03 battery x 2) |
| Operation range | Approx. 30 m [98 ft 5 in] (when operated directly in front of signal receptor) |
| Dimensions (W x H x D) | 48 x 145 x 27 mm [1-7/8 x 5-23/32 x 1-1/16 in] |
| Weight ⁶ | Approx. 102 g (3.60 ozs.) including batteries |

Supplied accessories

- Wireless remote control unit (x 1)
- Power cord (3.0 m x 1) (x 2 for Europe and Asia model)
- Batteries for remote control (R03/AAA type x 2)
- Lens fixing screw (x 4)

Optional accessories

| | | | |
|--|--------------------------------|------------------------|------------------------------------|
| Ceiling Mount Bracket | ET-PKD120H (for high ceilings) | Early Warning Software | ET-SWA100/105 series ¹² |
| Ceiling Mount Bracket | ET-PKD120S (for low ceilings) | Zoom lens | ET-EMU100 ¹³ |
| High-ceiling mount bracket (6-axis adjustment mechanism) | ET-PKD130H | Zoom lens | ET-EMW200 |
| Attachment for ceiling mount bracket | ET-PKE301B ⁹ | Zoom lens | ET-EMW300 |
| Digital Interface Box | ET-YFB100G ¹⁰ | Zoom lens | ET-EMW400 |
| DIGITAL LINK switcher | ET-YFB200G ¹⁰ | Zoom lens | ET-EMW500 |
| Geometry Manager Pro Upgrade kit | ET-UK20 | Zoom lens | ET-EMS600 |
| NFC Upgrade Kit | ET-NUK10 ¹¹ | Zoom lens | ET-EMT700 |
| Auto Screen Adjustment Upgrade kit | ET-CUK10/CUK10P | Zoom lens | ET-EMT800 |

Other Applications

- Multi Monitoring and Control Software (for Windows)
- Logo Transfer Software (for Windows)
- Smart Projector Control (for iOS/Android)
- Geometry Manager Pro (for Windows)

Weights and dimensions shown are approximate. Specifications subject to change without notice.

1 Measurement, measuring conditions, and method of notation all comply with ISO/IEC 21118:2012 international standards.

2 Value is for the supplied standard lens. The value varies depending on the lens.

3 Around this time, light output will have decreased by approximately 50 %. IEC62087: 2008 Broadcast contents, NORMAL Mode, Dynamic Contrast [3], under conditions with 35 °C (95 °F), 700 m (2,297 ft) above sea level, and 0.15 mg/m³ of particulate matter. Panasonic recommends cleaning or checkup at point of purchase after about 20,000 hours. Light-source lifetime may be reduced depending on environmental conditions.

Replacement of parts other than the light source may be required in a shorter period. Estimated maintenance time varies depending on environment.

4 4K/60p input signal is converted to projector's resolution (1920 x 1200)

5 When adjustable feet shortened.

6 Average value. May differ depending on models.

7 When using the projector at an altitude lower than 2,700 m (8,858 in) above sea level, and the operating environment temperature becomes 35 °C (95 °F) or higher, the light output may be reduced to protect the projector.

8 When the throw ratio is 4.6:1 or less: Risk group 2

When the throw ratio exceeds 4.6:1: Risk group 3

9 When the projector is mounted to the existing Ceiling Mount Bracket (in combination with the Model No.: ET-PKD120H (for High Ceilings) or - ET-PKD120S (for Low Ceilings), and the Model No.: ET-PKE300B (Projector Mount Bracket)), it is necessary to replace the drop-prevention - wire rope with the one corresponding to this projector. Consult your dealer. Drop-prevention set (service model no.: DPPW1004ZA/X1)

10 ET-YFB100G is not compatible with 4K signals.

11 The availability of this product varies depending on the country. For details, contact local sales company

12 The symbol at the end of the part number will vary depending on the type of license.

13 For more information on ET-EMU100, please check ET-EMU100's specsheet. Use of ET-EMU100 is subject to specific installation and usage conditions. Consult your sales representative for details before purchase.

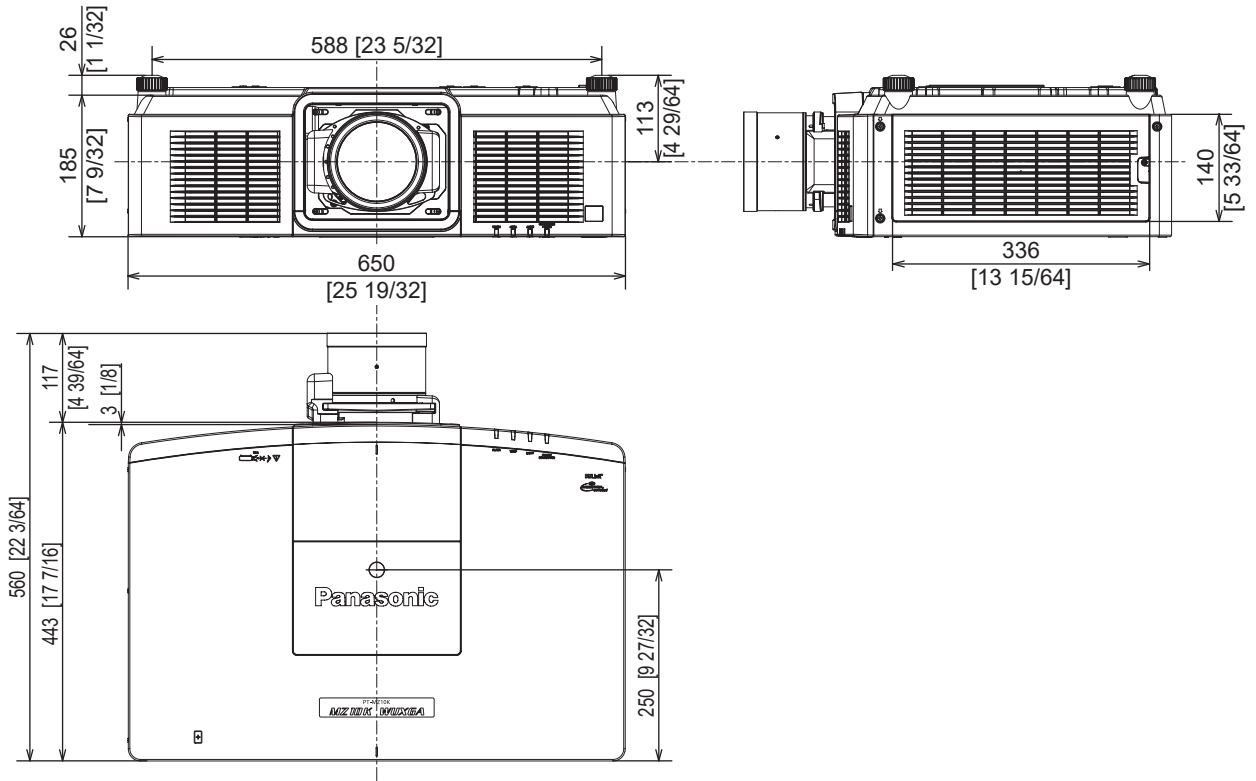
Use of lens requires main projector firmware Ver. 1.23 or later or Ver. 2.10 or later.

Note

- For more information on ET-EMU100, please check ET-EMU100's specsheet.

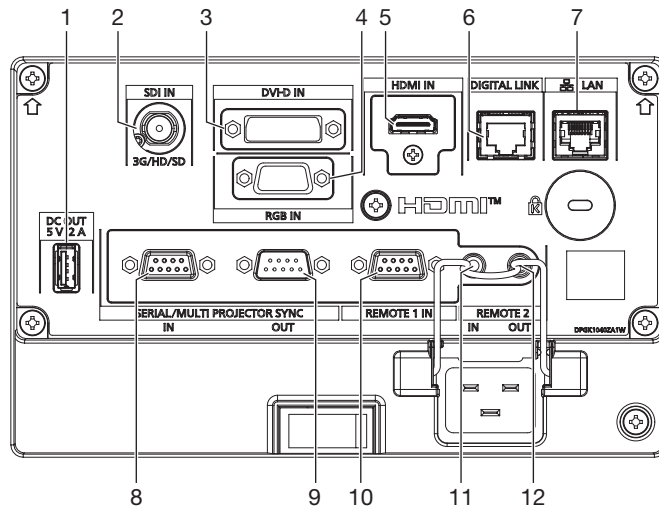
Dimensions

unit : mm (inch)
NOTE: This illustration is not drawn to scale.



* The above dimensions are obtained when the ET-EMS600 zoom lens (optional) is attached.
* Actual dimensions may differ depending on the product.

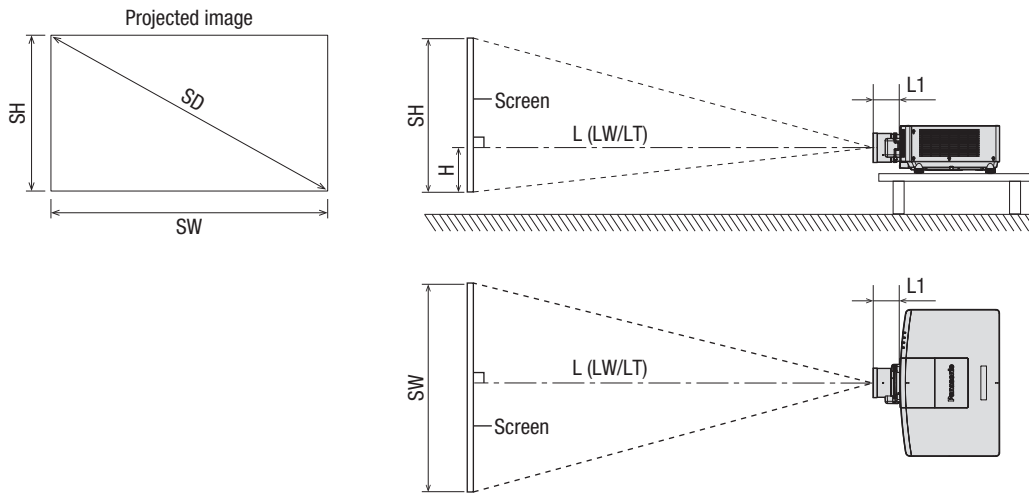
Terminals



| | | | |
|---|--------------|----|---------------------------------|
| 1 | DC OUT | 7 | LAN |
| 2 | SDI IN | 8 | SERIAL/MULTI PROJECTOR SYNC IN |
| 3 | DVI-D IN | 9 | SERIAL/MULTI PROJECTOR SYNC OUT |
| 4 | RGB IN | 10 | REMOTE 1 IN |
| 5 | HDMI IN | 11 | REMOTE 2 IN |
| 6 | DIGITAL LINK | 12 | REMOTE 2 OUT |

Projected image and throw distance

Install the projector referring to the projected image size and projection distance. Image size and image position can be adjusted in accordance with the screen size and screen position.



Note

- This illustration is prepared on the assumption that the projected image size and position have been aligned to fit full in the screen.
- This illustration is not drawn to scale.
- The values are approximate.

| | |
|----|--|
| SH | Projected image height |
| SW | Projected image width |
| SD | Projected image size |
| H | Distance from the lens center to the bottom edge of the projected image |
| L | Projection distance (distance from the front end of the projection lens to the screen) |
| | LW Minimum projection distance when the Zoom Lens is used |
| | LT Maximum projection distance when the Zoom Lens is used |
| L1 | Lens protrusion dimension (distance from the front surface of the projector to the front end of the projection lens) |

unit : m

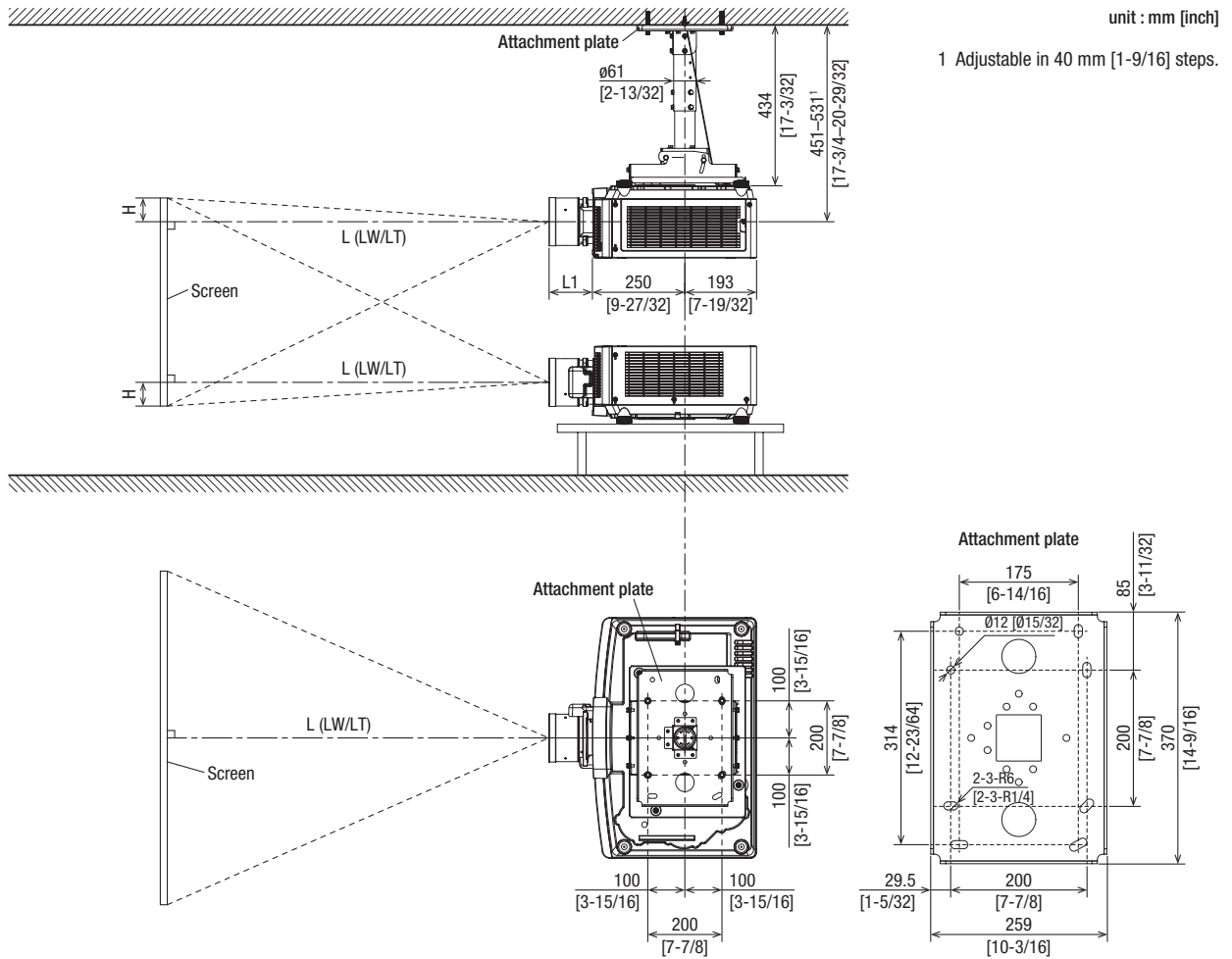
| Projection lens Model No. | Lens protrusion dimension (L1) (approximate value) |
|---------------------------|--|
| ET-EMW200 | 0.152 |
| ET-EMW300 | 0.121 |
| ET-EMW400 | 0.121 |
| ET-EMW500 | 0.122 |
| ET-EMS600 | 0.117 |
| ET-EMT700 | 0.167 |
| ET-EMT800 | 0.172 |

Note

- For more information on ET-EMU100, please check ET-EMU100's specsheet.

Standard setting position

Illustrations show the projector installed using optional ceiling mount bracket ET-PKD120H and bracket assembly ET-PKE301B.



Caution

- All construction work should be done by a qualified technician.
- When mounting to the ceiling, use the special mounting bracket. Furthermore, in order to prevent it from falling down from the ceiling, use the supplied wire on the mounting bracket.

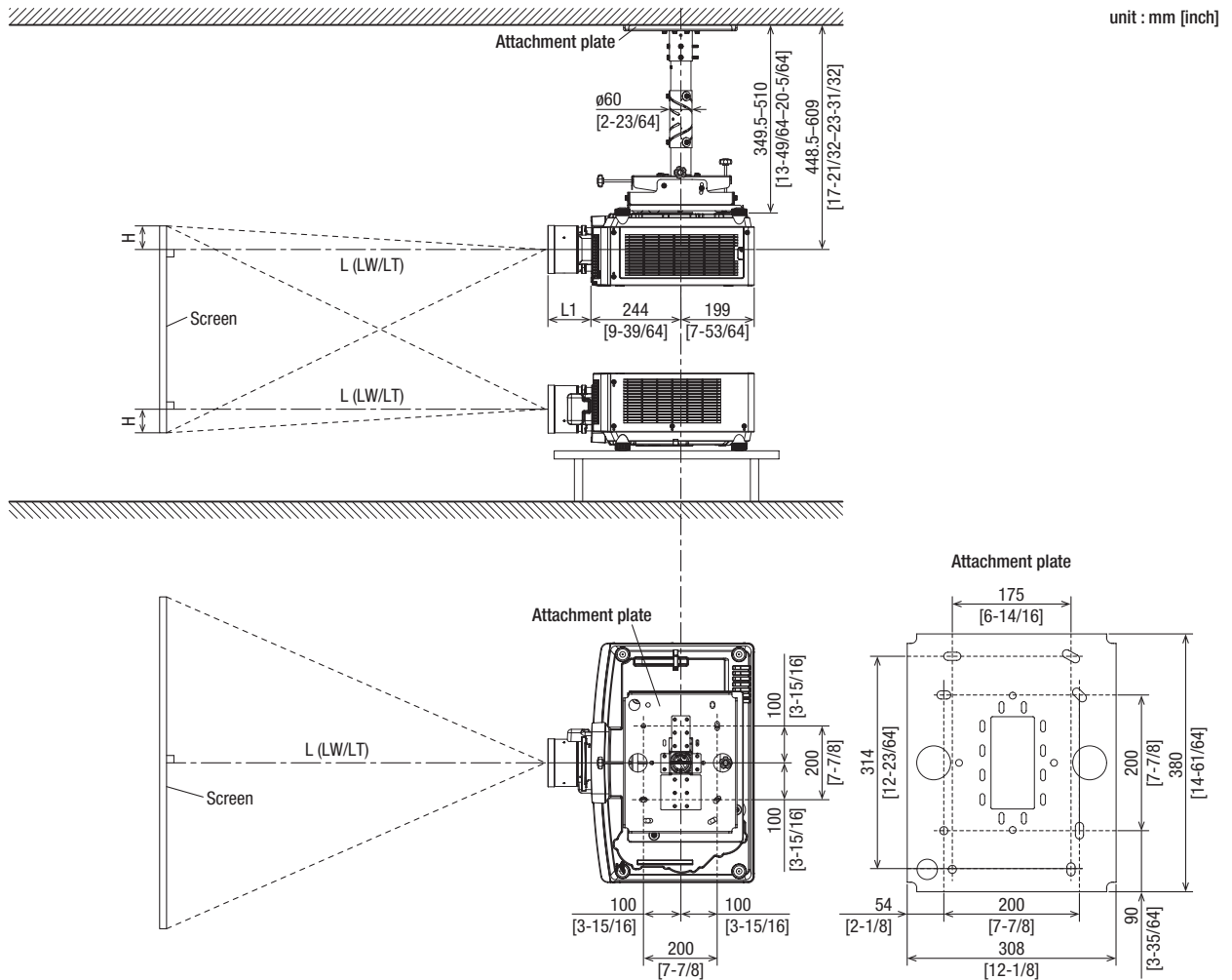
Note

- This illustration is prepared on the assumption that the projected image size and position have been aligned to fit full in the screen.
- This illustration is not drawn to scale.
- The values are approximate.

Note

- For more information on ET-EMU100, please check ET-EMU100's specsheet.

Illustrations show the projector installed using optional ceiling mount bracket ET-PKD130H and bracket assembly ET-PKE301B.



Caution

- All construction work should be done by a qualified technician.
- When mounting to the ceiling, use the special mounting bracket. Furthermore, in order to prevent it from falling down from the ceiling, use the supplied wire on the mounting bracket.

Note

- This illustration is prepared on the assumption that the projected image size and position have been aligned to fit full in the screen.
- This illustration is not drawn to scale.
- The values are approximate.

Note

- For more information on ET-EMU100, please check ET-EMU100's specsheet.

Projection distance

Screen aspect ratio 16:10

Unit: meters

| Lens type | | | Zoom Lens | | | | | | | | | | | | | | Height position(H) | | |
|-----------------------------|-------------|------------|------------------------|-----------|---------------|-----------|---------------|-----------|---------------|-----------|--------------|-----------|-------------|-----------|-------------|-----------|---|-------------|-------------|
| Projection Lens Model No. | | | ET-EMS600 | | ET-EMW200 | | ET-EMW300 | | ET-EMW400 | | ET-EMW500 | | ET-EMT700 | | ET-EMT800 | | ET-EMS600 ET-EMW400 ET-EMW500 ET-EMT700 ET-EMT800 | ET-EMW200 | ET-EMW300 |
| Throw ratio ¹ | | | 1.35-2.10:1 | | 0.480-0.550:1 | | 0.550-0.690:1 | | 0.690-0.950:1 | | 0.950-1.36:1 | | 2.10-4.14:1 | | 4.14-7.40:1 | | | | |
| Screen size | | | Distance to screen (L) | | | | | | | | | | | | | | | | |
| Diagonal (SD) m / inches | Height (SH) | Width (SW) | min. (LW) | max. (LT) | min. (LW) | max. (LT) | min. (LW) | max. (LT) | min. (LW) | max. (LT) | min. (LW) | max. (LT) | min. (LW) | max. (LT) | min. (LW) | max. (LT) | | | |
| 2.03/ 80 | 1.077 | 1.723 | 2.30 | 3.64 | 0.81 | 0.95 | 0.93 | 1.19 | 1.17 | 1.64 | 1.61 | 2.34 | 3.55 | 7.15 | 7.12 | 12.88 | -0.11 - 1.18 | 0.11 - 0.97 | 0.00 - 1.08 |
| 2.29/ 90 | 1.212 | 1.939 | 2.59 | 4.10 | 0.91 | 1.07 | 1.05 | 1.34 | 1.32 | 1.85 | 1.82 | 2.64 | 4.01 | 8.05 | 7.97 | 14.45 | -0.12 - 1.34 | 0.12 - 1.09 | 0.00 - 1.21 |
| 2.54/100 | 1.346 | 2.154 | 2.89 | 4.56 | 1.03 | 1.19 | 1.18 | 1.49 | 1.48 | 2.06 | 2.03 | 2.93 | 4.50 | 8.90 | 8.90 | 16.00 | -0.13 - 1.48 | 0.13 - 1.21 | 0.00 - 1.35 |
| 3.05/120 | 1.615 | 2.585 | 3.47 | 5.49 | 1.23 | 1.44 | 1.41 | 1.80 | 1.78 | 2.48 | 2.44 | 3.53 | 5.38 | 10.77 | 10.51 | 19.17 | -0.16 - 1.78 | 0.16 - 1.45 | 0.00 - 1.62 |
| 3.81/150 | 2.019 | 3.231 | 4.35 | 6.87 | 1.55 | 1.81 | 1.78 | 2.26 | 2.24 | 3.12 | 3.07 | 4.43 | 6.75 | 13.49 | 13.06 | 23.89 | -0.20 - 2.22 | 0.20 - 1.82 | 0.00 - 2.02 |
| 5.08/200 | 2.692 | 4.308 | 5.82 | 9.17 | 2.08 | 2.44 | 2.38 | 3.02 | 3.00 | 4.17 | 4.11 | 5.92 | 9.04 | 18.03 | 17.31 | 31.75 | -0.27 - 2.96 | 0.27 - 2.42 | 0.00 - 2.69 |
| 6.35/250 | 3.365 | 5.385 | 7.29 | 11.47 | 2.62 | 3.06 | 2.99 | 3.79 | 3.76 | 5.23 | 5.15 | 7.42 | 11.33 | 22.56 | 21.56 | 39.61 | -0.34 - 3.70 | 0.34 - 3.03 | 0.00 - 3.37 |
| 7.62/300 | 4.039 | 6.462 | 8.76 | 13.78 | 3.15 | 3.68 | 3.60 | 4.56 | 4.52 | 6.28 | 6.19 | 8.91 | 13.61 | 27.09 | 25.80 | 47.47 | -0.40 - 4.44 | 0.40 - 3.63 | 0.00 - 4.04 |
| 8.89/350 | 4.712 | 7.539 | 10.23 | 16.08 | 3.68 | 4.30 | 4.20 | 5.32 | 5.28 | 7.34 | 7.23 | 10.40 | 15.90 | 31.63 | 30.05 | 55.33 | -0.47 - 5.18 | 0.47 - 4.24 | 0.00 - 4.71 |
| 10.16/400 | 5.385 | 8.616 | 11.69 | 18.38 | 4.21 | 4.92 | 4.81 | 6.09 | 6.05 | 8.39 | 8.27 | 11.90 | 18.19 | 36.16 | 34.30 | 63.20 | -0.54 - 5.92 | 0.54 - 4.85 | 0.00 - 5.38 |
| 12.70/500 | 6.731 | 10.770 | 14.63 | 22.99 | 5.28 | 6.16 | 6.02 | 7.62 | 7.57 | 10.50 | 10.34 | 14.89 | 22.76 | 45.22 | 42.79 | 78.92 | -0.67 - 7.40 | 0.67 - 6.06 | 0.00 - 6.73 |

Unit: feet

| Lens type | | | Zoom Lens | | | | | | | | | | | | | | Height position(H) | | |
|-----------------------------|-------------|------------|------------------------|-----------|---------------|-----------|---------------|-----------|---------------|-----------|--------------|-----------|-------------|-----------|-------------|-----------|---|--------------|--------------|
| Projection Lens Model No. | | | ET-EMS600 | | ET-EMW200 | | ET-EMW300 | | ET-EMW400 | | ET-EMW500 | | ET-EMT700 | | ET-EMT800 | | ET-EMS600 ET-EMW400 ET-EMW500 ET-EMT700 ET-EMT800 | ET-EMW200 | ET-EMW300 |
| Throw ratio ¹ | | | 1.35-2.10:1 | | 0.480-0.550:1 | | 0.550-0.690:1 | | 0.690-0.950:1 | | 0.950-1.36:1 | | 2.10-4.14:1 | | 4.14-7.40:1 | | | | |
| Screen size | | | Distance to screen (L) | | | | | | | | | | | | | | | | |
| Diagonal (SD) m / inches | Height (SH) | Width (SW) | min. (LW) | max. (LT) | min. (LW) | max. (LT) | min. (LW) | max. (LT) | min. (LW) | max. (LT) | min. (LW) | max. (LT) | min. (LW) | max. (LT) | min. (LW) | max. (LT) | | | |
| 2.03/ 80 | 1.077 | 1.723 | 7.55 | 11.94 | 2.66 | 3.12 | 3.05 | 3.90 | 3.84 | 5.38 | 5.28 | 7.68 | 11.65 | 23.46 | 23.36 | 42.26 | -0.36 - 3.87 | 0.36 - 3.18 | 0.00 - 3.54 |
| 2.29/ 90 | 1.212 | 1.939 | 8.50 | 13.45 | 2.99 | 3.51 | 3.44 | 4.40 | 4.33 | 6.07 | 5.97 | 8.66 | 13.16 | 26.41 | 26.15 | 47.41 | -0.39 - 4.40 | 0.39 - 3.58 | 0.00 - 3.97 |
| 2.54/100 | 1.346 | 2.154 | 9.48 | 14.96 | 3.38 | 3.90 | 3.87 | 4.89 | 4.86 | 6.76 | 6.66 | 9.61 | 14.76 | 29.20 | 29.20 | 52.49 | -0.43 - 4.86 | 0.43 - 3.97 | 0.00 - 4.43 |
| 3.05/120 | 1.615 | 2.585 | 11.38 | 18.01 | 4.04 | 4.72 | 4.63 | 5.91 | 5.84 | 8.14 | 8.01 | 11.58 | 17.65 | 35.33 | 34.48 | 62.89 | -0.52 - 5.84 | 0.52 - 4.76 | 0.00 - 5.31 |
| 3.81/150 | 2.019 | 3.231 | 14.27 | 22.54 | 5.09 | 5.94 | 5.84 | 7.41 | 7.35 | 10.24 | 10.07 | 14.53 | 22.15 | 44.26 | 42.85 | 78.38 | -0.66 - 7.28 | 0.66 - 5.97 | 0.00 - 6.63 |
| 5.08/200 | 2.692 | 4.308 | 19.09 | 30.08 | 6.82 | 8.01 | 7.81 | 9.91 | 9.84 | 13.68 | 13.48 | 19.42 | 29.66 | 59.15 | 56.79 | 104.17 | -0.89 - 9.71 | 0.89 - 7.94 | 0.00 - 8.83 |
| 6.35/250 | 3.365 | 5.385 | 23.92 | 37.63 | 8.60 | 10.04 | 9.81 | 12.43 | 12.34 | 17.16 | 16.90 | 24.34 | 37.17 | 74.01 | 70.73 | 129.95 | -1.12 - 12.14 | 1.12 - 9.94 | 0.00 - 11.06 |
| 7.62/300 | 4.039 | 6.462 | 28.74 | 45.21 | 10.33 | 12.07 | 11.81 | 14.96 | 14.83 | 20.60 | 20.31 | 29.23 | 44.65 | 88.88 | 84.64 | 155.74 | -1.31 - 14.57 | 1.31 - 11.91 | 0.00 - 13.25 |
| 8.89/350 | 4.712 | 7.539 | 33.56 | 52.76 | 12.07 | 14.11 | 13.78 | 17.45 | 17.32 | 24.08 | 23.72 | 34.12 | 52.16 | 103.77 | 98.59 | 181.53 | -1.54 - 16.99 | 1.54 - 13.91 | 0.00 - 15.45 |
| 10.16/400 | 5.385 | 8.616 | 38.35 | 60.30 | 13.81 | 16.14 | 15.78 | 19.98 | 19.85 | 27.53 | 27.13 | 39.04 | 59.68 | 118.63 | 112.53 | 207.35 | -1.77 - 19.42 | 1.77 - 15.91 | 0.00 - 17.65 |
| 12.70/500 | 6.731 | 10.770 | 48.00 | 75.43 | 17.32 | 20.21 | 19.75 | 25.00 | 24.84 | 34.45 | 33.92 | 48.85 | 74.67 | 148.36 | 140.39 | 258.92 | -2.20 - 24.28 | 2.20 - 19.88 | 0.00 - 22.08 |

¹ The throw ratio is based on the value during projection with the projected image size of 2.54 m [100 in].

- The value for L (distance to screen) varies slightly within ±5% depending on the zoom lens characteristics.
- The zoom lens characteristics may cause slight image distortion.
- When vertical keystone correction is used, the image is corrected in the direction that reduces its projected size.
- The brightness varies depending on the zoom setting.

Note

- For more information on ET-EMU100, please check ET-EMU100's specsheet.

Screen aspect ratio 16:9

Unit: meters

| Lens type | | | Zoom Lens | | | | | | | | | | | | | | Height position(H) | | |
|-----------------------------|-------------|------------|------------------------|-----------|---------------|-----------|---------------|-----------|---------------|-----------|--------------|-----------|-------------|-----------|-------------|-----------|---|-------------|--------------|
| Projection Lens Model No. | | | ET-EMS600 | | ET-EMW200 | | ET-EMW300 | | ET-EMW400 | | ET-EMW500 | | ET-EMT700 | | ET-EMT800 | | ET-EMS600 ET-EMW400 ET-EMW500 ET-EMT700 ET-EMT800 | ET-EMW200 | ET-EMW300 |
| Throw ratio ¹ | | | 1.35-2.10:1 | | 0.480-0.550:1 | | 0.550-0.690:1 | | 0.690-0.950:1 | | 0.950-1.36:1 | | 2.10-4.15:1 | | 4.12-7.40:1 | | | | |
| Screen size | | | Distance to screen (L) | | | | | | | | | | | | | | | | |
| Diagonal (SD) m / inches | Height (SH) | Width (SW) | min. (LW) | max. (LT) | min. (LW) | max. (LT) | min. (LW) | max. (LT) | min. (LW) | max. (LT) | min. (LW) | max. (LT) | min. (LW) | max. (LT) | min. (LW) | max. (LT) | | | |
| 2.03/ 80 | 0.996 | 1.771 | 2.37 | 3.75 | 0.83 | 0.97 | 0.96 | 1.22 | 1.20 | 1.69 | 1.66 | 2.41 | 3.65 | 7.35 | 7.31 | 13.23 | -0.17 - 1.16 | 0.06 - 0.94 | -0.06 - 1.05 |
| 2.29/ 90 | 1.121 | 1.992 | 2.67 | 4.22 | 0.94 | 1.10 | 1.08 | 1.38 | 1.36 | 1.90 | 1.87 | 2.71 | 4.12 | 8.28 | 8.18 | 14.84 | -0.19 - 1.31 | 0.06 - 1.06 | -0.06 - 1.18 |
| 2.54/100 | 1.245 | 2.214 | 2.97 | 4.69 | 1.06 | 1.22 | 1.21 | 1.53 | 1.52 | 2.12 | 2.09 | 3.02 | 4.60 | 9.20 | 9.10 | 16.40 | -0.21 - 1.45 | 0.07 - 1.18 | -0.07 - 1.31 |
| 3.05/120 | 1.494 | 2.657 | 3.57 | 5.64 | 1.27 | 1.48 | 1.46 | 1.85 | 1.83 | 2.56 | 2.51 | 3.63 | 5.53 | 11.08 | 10.80 | 19.69 | -0.25 - 1.74 | 0.08 - 1.41 | -0.08 - 1.58 |
| 3.81/150 | 1.868 | 3.321 | 4.48 | 7.06 | 1.60 | 1.87 | 1.83 | 2.32 | 2.24 | 3.21 | 3.15 | 4.56 | 6.94 | 13.87 | 13.42 | 24.54 | -0.31 - 2.18 | 0.10 - 1.76 | -0.10 - 1.97 |
| 5.08/200 | 2.491 | 4.428 | 5.99 | 9.43 | 2.14 | 2.50 | 2.45 | 3.11 | 3.03 | 4.29 | 4.22 | 6.09 | 9.29 | 18.53 | 17.78 | 32.62 | -0.41 - 2.90 | 0.14 - 2.35 | -0.14 - 2.63 |
| 6.35/250 | 3.113 | 5.535 | 7.49 | 11.79 | 2.69 | 3.14 | 3.07 | 3.90 | 4.24 | 5.37 | 5.29 | 7.63 | 11.64 | 23.19 | 22.15 | 40.70 | -0.52 - 3.63 | 0.17 - 2.94 | -0.17 - 3.28 |
| 7.62/300 | 3.736 | 6.641 | 9.00 | 14.16 | 3.24 | 3.78 | 3.70 | 4.68 | 5.00 | 6.46 | 6.36 | 9.16 | 13.99 | 27.85 | 26.51 | 48.78 | -0.62 - 4.36 | 0.21 - 3.53 | -0.21 - 3.94 |
| 8.89/350 | 4.358 | 7.748 | 10.51 | 16.53 | 3.78 | 4.42 | 4.32 | 5.47 | 5.48 | 7.54 | 7.43 | 10.70 | 16.35 | 32.51 | 30.88 | 56.86 | -0.73 - 5.08 | 0.24 - 4.11 | -0.24 - 4.60 |
| 10.16/400 | 4.981 | 8.855 | 12.02 | 18.89 | 4.33 | 5.06 | 4.94 | 6.26 | 6.27 | 8.62 | 8.50 | 12.23 | 18.70 | 37.17 | 35.24 | 64.94 | -0.83 - 5.81 | 0.28 - 4.70 | -0.28 - 5.25 |
| 12.70/500 | 6.226 | 11.069 | 15.04 | 23.63 | 5.42 | 6.33 | 6.19 | 7.83 | 7.84 | 10.79 | 10.63 | 15.30 | 23.40 | 46.49 | 43.97 | 81.11 | -1.04 - 7.26 | 0.35 - 5.88 | -0.35 - 6.57 |

Unit: feet

| Lens type | | | Zoom Lens | | | | | | | | | | | | | | Height position(H) | | |
|-----------------------------|-------------|------------|------------------------|-----------|---------------|-----------|---------------|-----------|---------------|-----------|--------------|-----------|-------------|-----------|-------------|-----------|---|--------------|---------------|
| Projection Lens Model No. | | | ET-EMS600 | | ET-EMW200 | | ET-EMW300 | | ET-EMW400 | | ET-EMW500 | | ET-EMT700 | | ET-EMT800 | | ET-EMS600 ET-EMW400 ET-EMW500 ET-EMT700 ET-EMT800 | ET-EMW200 | ET-EMW300 |
| Throw ratio ¹ | | | 1.35-2.10:1 | | 0.480-0.550:1 | | 0.550-0.690:1 | | 0.690-0.950:1 | | 0.950-1.36:1 | | 2.10-4.15:1 | | 4.12-7.40:1 | | | | |
| Screen size | | | Distance to screen (L) | | | | | | | | | | | | | | | | |
| Diagonal (SD) m / inches | Height (SH) | Width (SW) | min. (LW) | max. (LT) | min. (LW) | max. (LT) | min. (LW) | max. (LT) | min. (LW) | max. (LT) | min. (LW) | max. (LT) | min. (LW) | max. (LT) | min. (LW) | max. (LT) | | | |
| 2.03/ 80 | 0.996 | 1.771 | 7.78 | 12.30 | 2.72 | 3.18 | 3.15 | 4.00 | 3.94 | 5.54 | 5.45 | 7.91 | 11.97 | 24.11 | 23.98 | 43.40 | -0.56 - 3.81 | 0.20 - 3.08 | -0.20 - 3.44 |
| 2.29/ 90 | 1.121 | 1.992 | 8.76 | 13.84 | 3.08 | 3.61 | 3.54 | 4.53 | 4.46 | 6.23 | 6.14 | 8.89 | 13.52 | 27.17 | 26.84 | 48.69 | -0.62 - 4.30 | 0.20 - 3.48 | -0.20 - 3.87 |
| 2.54/100 | 1.245 | 2.214 | 9.74 | 15.39 | 3.48 | 4.00 | 3.97 | 5.02 | 4.99 | 6.96 | 6.86 | 9.91 | 15.09 | 30.18 | 29.86 | 53.81 | -0.69 - 4.76 | 0.23 - 3.87 | -0.23 - 4.30 |
| 3.05/120 | 1.494 | 2.657 | 11.71 | 18.50 | 4.17 | 4.86 | 4.79 | 6.07 | 6.00 | 8.40 | 8.23 | 11.91 | 18.14 | 36.35 | 35.43 | 64.60 | -0.82 - 5.71 | 0.26 - 4.63 | -0.26 - 5.18 |
| 3.81/150 | 1.868 | 3.321 | 14.70 | 23.16 | 5.25 | 6.14 | 6.00 | 7.61 | 7.35 | 10.53 | 10.33 | 14.96 | 22.77 | 45.50 | 44.03 | 80.51 | -1.02 - 7.15 | 0.33 - 5.77 | -0.33 - 6.46 |
| 5.08/200 | 2.491 | 4.428 | 19.65 | 30.94 | 7.02 | 8.20 | 8.04 | 10.20 | 9.94 | 14.07 | 13.84 | 19.98 | 30.48 | 60.79 | 58.33 | 107.02 | -1.35 - 9.51 | 0.46 - 7.71 | -0.46 - 8.63 |
| 6.35/250 | 3.113 | 5.535 | 24.57 | 38.68 | 8.83 | 10.30 | 10.07 | 12.80 | 13.91 | 17.62 | 17.36 | 25.03 | 38.19 | 76.08 | 72.67 | 133.53 | -1.71 - 11.91 | 0.56 - 9.65 | -0.56 - 10.76 |
| 7.62/300 | 3.736 | 6.641 | 29.53 | 46.46 | 10.63 | 12.40 | 12.14 | 15.35 | 16.40 | 21.19 | 20.87 | 30.05 | 45.90 | 91.37 | 86.97 | 160.04 | -2.03 - 14.30 | 0.69 - 11.58 | -0.69 - 12.93 |
| 8.89/350 | 4.358 | 7.748 | 34.48 | 54.23 | 12.40 | 14.50 | 14.17 | 17.95 | 17.98 | 24.74 | 24.38 | 35.10 | 53.64 | 106.66 | 101.31 | 186.55 | -2.39 - 16.67 | 0.79 - 13.48 | -0.79 - 15.09 |
| 10.16/400 | 4.981 | 8.855 | 39.44 | 61.97 | 14.21 | 16.60 | 16.21 | 20.54 | 20.57 | 28.28 | 27.89 | 40.12 | 61.35 | 121.95 | 115.62 | 213.06 | -2.72 - 19.06 | 0.92 - 15.42 | -0.92 - 17.22 |
| 12.70/500 | 6.226 | 11.069 | 49.34 | 77.53 | 17.78 | 20.77 | 20.31 | 25.69 | 25.72 | 35.40 | 34.87 | 50.20 | 76.77 | 152.52 | 144.26 | 266.11 | -3.41 - 23.82 | 1.15 - 19.29 | -1.15 - 21.55 |

¹ The throw ratio is based on the value during projection with the projected image size of 2.54 m [100 in].

• The value for L (distance to screen) varies slightly within ±5% depending on the zoom lens characteristics.

• The zoom lens characteristics may cause slight image distortion.

• When vertical keystone correction is used, the image is corrected in the direction that reduces its projected size.

• The brightness varies depending on the zoom setting.

Note

• For more information on ET-EMU100, please check ET-EMU100's specsheet.

Screen aspect ratio 4:3

Unit: meters

| Lens type | | | Zoom Lens | | | | | | | | | | | | | | Height position(H) | | | | | | |
|-----------------------------|-------------|------------|------------------------|---------------|---------------|--------------|-------------|-------------|-------------|-----------|-----------|-----------|-----------|-----------|-----------|-----------|--------------------|-------------|-------------|-----------|-----------|-----------|-----------|
| Projection Lens Model No. | | | ET-EMS600 | ET-EMW200 | ET-EMW300 | ET-EMW400 | ET-EMW500 | ET-EMT700 | ET-EMT800 | ET-EMS600 | ET-EMW400 | ET-EMW500 | ET-EMT700 | ET-EMT800 | ET-EMW200 | ET-EMW300 | | | | | | | |
| Throw ratio ¹ | | | 1.62-2.50:1 | 0.580-0.660:1 | 0.660-0.830:1 | 0.830-1.15:1 | 1.14-1.63:1 | 2.50-4.97:1 | 4.93-8.70:1 | | | | | | | | | | | | | | |
| Screen size | | | Distance to screen (L) | | | | | | | | | | | | | | | | | | | | |
| Diagonal (SD) m / inches | Height (SH) | Width (SW) | min. (LW) | max. (LT) | min. (LW) | max. (LT) | min. (LW) | max. (LT) | min. (LW) | | | | | | | | max. (LT) | min. (LW) | max. (LT) | min. (LW) | max. (LT) | min. (LW) | max. (LT) |
| 2.03/ 80 | 1.219 | 1.626 | 2.61 | 4.13 | 0.92 | 1.08 | 1.06 | 1.35 | 1.33 | 1.86 | 1.83 | 2.66 | 4.03 | 8.11 | 8.01 | 14.54 | -0.12 - 1.34 | 0.12 - 1.10 | 0.00 - 1.22 | | | | |
| 2.29/ 90 | 1.372 | 1.829 | 2.94 | 4.65 | 1.04 | 1.22 | 1.20 | 1.52 | 1.50 | 2.10 | 2.07 | 2.99 | 4.55 | 9.13 | 8.98 | 16.02 | -0.14 - 1.51 | 0.14 - 1.24 | 0.00 - 1.37 | | | | |
| 2.54/100 | 1.524 | 2.032 | 3.28 | 5.17 | 1.17 | 1.35 | 1.34 | 1.69 | 1.68 | 2.34 | 2.31 | 3.33 | 5.07 | 10.10 | 10.00 | 17.80 | -0.15 - 1.68 | 0.15 - 1.37 | 0.00 - 1.52 | | | | |
| 3.05/120 | 1.829 | 2.438 | 3.94 | 6.22 | 1.40 | 1.64 | 1.61 | 2.04 | 2.02 | 2.82 | 2.77 | 4.01 | 6.11 | 12.21 | 11.86 | 21.36 | -0.18 - 2.01 | 0.18 - 1.65 | 0.00 - 1.83 | | | | |
| 3.81/150 | 2.286 | 3.048 | 4.94 | 7.78 | 1.76 | 2.06 | 2.02 | 2.56 | 2.54 | 3.54 | 3.48 | 5.02 | 7.66 | 15.29 | 14.74 | 26.70 | -0.23 - 2.51 | 0.23 - 2.06 | 0.00 - 2.29 | | | | |
| 5.08/200 | 3.048 | 4.064 | 6.60 | 10.39 | 2.37 | 2.76 | 2.70 | 3.43 | 3.40 | 4.73 | 4.66 | 6.71 | 10.25 | 20.42 | 19.55 | 35.60 | -0.31 - 3.35 | 0.31 - 2.74 | 0.00 - 3.05 | | | | |
| 6.35/250 | 3.810 | 5.080 | 8.26 | 12.99 | 2.97 | 3.47 | 3.39 | 4.30 | 4.26 | 5.92 | 5.83 | 8.40 | 12.84 | 25.55 | 24.36 | 44.50 | -0.38 - 4.19 | 0.38 - 3.43 | 0.00 - 3.81 | | | | |
| 7.62/300 | 4.572 | 6.096 | 9.92 | 15.60 | 3.57 | 4.17 | 4.08 | 5.16 | 5.13 | 7.12 | 7.01 | 10.09 | 15.43 | 30.69 | 29.17 | 53.40 | -0.46 - 5.03 | 0.46 - 4.11 | 0.00 - 4.57 | | | | |
| 8.89/350 | 5.334 | 7.112 | 11.58 | 18.21 | 4.17 | 4.87 | 4.76 | 6.03 | 5.99 | 8.31 | 8.19 | 11.79 | 18.01 | 35.82 | 33.98 | 62.30 | -0.53 - 5.87 | 0.53 - 4.80 | 0.00 - 5.33 | | | | |
| 10.16/400 | 6.096 | 8.128 | 13.25 | 20.81 | 4.77 | 5.57 | 5.45 | 6.90 | 6.85 | 9.50 | 9.36 | 13.48 | 20.60 | 40.95 | 38.78 | 71.20 | -0.61 - 6.71 | 0.61 - 5.49 | 0.00 - 6.10 | | | | |
| 12.70/500 | 7.620 | 10.160 | 16.57 | 26.03 | 5.98 | 6.98 | 6.82 | 8.63 | 8.58 | 11.89 | 11.72 | 16.86 | 25.78 | 51.21 | 48.40 | 89.00 | -0.76 - 8.38 | 0.76 - 6.86 | 0.00 - 7.62 | | | | |

Unit: feet

| Lens type | | | Zoom Lens | | | | | | | | | | | | | | Height position(H) | | | | | | |
|-----------------------------|-------------|------------|------------------------|---------------|---------------|--------------|-------------|-------------|-------------|-----------|-----------|-----------|-----------|-----------|-----------|-----------|--------------------|--------------|--------------|-----------|-----------|-----------|-----------|
| Projection Lens Model No. | | | ET-EMS600 | ET-EMW200 | ET-EMW300 | ET-EMW400 | ET-EMW500 | ET-EMT700 | ET-EMT800 | ET-EMS600 | ET-EMW400 | ET-EMW500 | ET-EMT700 | ET-EMT800 | ET-EMW200 | ET-EMW300 | | | | | | | |
| Throw ratio ¹ | | | 1.62-2.50:1 | 0.580-0.660:1 | 0.660-0.830:1 | 0.830-1.15:1 | 1.14-1.63:1 | 2.50-4.97:1 | 4.93-8.70:1 | | | | | | | | | | | | | | |
| Screen size | | | Distance to screen (L) | | | | | | | | | | | | | | | | | | | | |
| Diagonal (SD) m / inches | Height (SH) | Width (SW) | min. (LW) | max. (LT) | min. (LW) | max. (LT) | min. (LW) | max. (LT) | min. (LW) | | | | | | | | max. (LT) | min. (LW) | max. (LT) | min. (LW) | max. (LT) | min. (LW) | max. (LT) |
| 2.03/ 80 | 1.219 | 1.626 | 8.56 | 13.55 | 3.02 | 3.54 | 3.48 | 4.43 | 4.36 | 6.10 | 6.00 | 8.73 | 13.22 | 26.61 | 26.28 | 47.70 | -0.39 - 4.40 | 0.39 - 3.61 | 0.00 - 4.00 | | | | |
| 2.29/ 90 | 1.372 | 1.829 | 9.65 | 15.26 | 3.41 | 4.00 | 3.94 | 4.99 | 4.92 | 6.89 | 6.79 | 9.81 | 14.93 | 29.95 | 29.46 | 52.56 | -0.46 - 4.95 | 0.46 - 4.07 | 0.00 - 4.49 | | | | |
| 2.54/100 | 1.524 | 2.032 | 10.76 | 16.96 | 3.84 | 4.43 | 4.40 | 5.54 | 5.51 | 7.68 | 7.58 | 10.93 | 16.63 | 33.14 | 32.81 | 58.40 | -0.49 - 5.51 | 0.49 - 4.49 | 0.00 - 4.99 | | | | |
| 3.05/120 | 1.829 | 2.438 | 12.93 | 20.41 | 4.59 | 5.38 | 5.28 | 6.69 | 6.63 | 9.25 | 9.09 | 13.16 | 20.05 | 40.06 | 38.91 | 70.08 | -0.59 - 6.59 | 0.59 - 5.41 | 0.00 - 6.00 | | | | |
| 3.81/150 | 2.286 | 3.048 | 16.21 | 25.52 | 5.77 | 6.76 | 6.63 | 8.40 | 8.33 | 11.61 | 11.42 | 16.47 | 25.13 | 50.16 | 48.36 | 87.60 | -0.75 - 8.23 | 0.75 - 6.76 | 0.00 - 7.51 | | | | |
| 5.08/200 | 3.048 | 4.064 | 21.65 | 34.09 | 7.78 | 9.06 | 8.86 | 11.25 | 11.15 | 15.52 | 15.29 | 22.01 | 33.63 | 66.99 | 64.14 | 116.80 | -1.02 - 10.99 | 1.02 - 8.99 | 0.00 - 10.01 | | | | |
| 6.35/250 | 3.810 | 5.080 | 27.10 | 42.62 | 9.74 | 11.38 | 11.12 | 14.11 | 13.98 | 19.42 | 19.13 | 27.56 | 42.13 | 83.82 | 79.92 | 146.00 | -1.25 - 13.75 | 1.25 - 11.25 | 0.00 - 12.50 | | | | |
| 7.62/300 | 4.572 | 6.096 | 32.55 | 51.18 | 11.71 | 13.68 | 13.39 | 16.93 | 16.83 | 23.36 | 23.00 | 33.10 | 50.62 | 100.69 | 95.70 | 175.19 | -1.51 - 16.50 | 1.51 - 13.48 | 0.00 - 14.99 | | | | |
| 8.89/350 | 5.334 | 7.112 | 37.99 | 59.74 | 13.68 | 15.98 | 15.62 | 19.78 | 19.65 | 27.26 | 26.87 | 38.68 | 59.09 | 117.52 | 111.48 | 204.39 | -1.74 - 19.26 | 1.74 - 15.75 | 0.00 - 17.49 | | | | |
| 10.16/400 | 6.096 | 8.128 | 43.47 | 68.27 | 15.65 | 18.27 | 17.88 | 22.64 | 22.47 | 31.17 | 30.71 | 44.23 | 67.58 | 134.35 | 127.23 | 233.59 | -2.00 - 22.01 | 2.00 - 18.01 | 0.00 - 20.01 | | | | |
| 12.70/500 | 7.620 | 10.160 | 54.36 | 85.40 | 19.62 | 22.90 | 22.38 | 28.31 | 28.15 | 39.01 | 38.45 | 55.31 | 84.58 | 168.01 | 158.79 | 291.99 | -2.49 - 27.49 | 2.49 - 22.51 | 0.00 - 25.00 | | | | |

- ¹ The throw ratio is based on the value during projection with the projected image size of 2.54 m [100 in].
- The value for L (distance to screen) varies slightly within ±5% depending on the zoom lens characteristics.
 - The zoom lens characteristics may cause slight image distortion.
 - When vertical keystone correction is used, the image is corrected in the direction that reduces its projected size.
 - The brightness varies depending on the zoom setting.

Note

- For more information on ET-EMU100, please check ET-EMU100's specsheet.

Formula to calculate projection distance per Projection Lens

To use a screen size not listed in this manual, check the screen size SD (m) and use the respective formula to calculate projection distance.

The unit of all the formulae is m. (Values obtained by the following calculation formulae contain a slight error.)

When calculating a projection distance using image size designation (value in inches), multiply the value in inches by 0.0254 and substitute it into SD in the formula for calculating the projection distance

| Lens type | Projection Lens Model No. | Throw ratio | Aspect ratio | Projection distance (L) formula | |
|-----------|---------------------------|---------------|--------------|---------------------------------|-----------------------------|
| | | | | Min. (LW) | Max. (LT) |
| Zoom lens | ET-EMS600 | 1.35-2.10:1 | 16:10 | $L=1.1559 \times SD-0.0491$ | $L=1.8130 \times SD-0.0399$ |
| | | 1.35-2.10:1 | 16:9 | $L=1.1880 \times SD-0.0491$ | $L=1.8634 \times SD-0.0399$ |
| | | 1.62-2.50:1 | 4:3 | $L=1.3086 \times SD-0.0491$ | $L=2.0524 \times SD-0.0399$ |
| | ET-EMW200 | 0.480-0.550:1 | 16:10 | $L=0.4189 \times SD-0.0435$ | $L=0.4888 \times SD-0.0473$ |
| | | 0.480-0.550:1 | 16:9 | $L=0.4306 \times SD-0.0435$ | $L=0.5023 \times SD-0.0473$ |
| | | 0.580-0.660:1 | 4:3 | $L=0.4742 \times SD-0.0435$ | $L=0.5533 \times SD-0.0473$ |
| | ET-EMW300 | 0.550-0.690:1 | 16:10 | $L=0.4772 \times SD-0.0397$ | $L=0.6031 \times SD-0.0397$ |
| | | 0.550-0.690:1 | 16:9 | $L=0.4904 \times SD-0.0397$ | $L=0.6199 \times SD-0.0397$ |
| | | 0.660-0.830:1 | 4:3 | $L=0.5402 \times SD-0.0397$ | $L=0.6828 \times SD-0.0397$ |
| | ET-EMW400 | 0.690-0.950:1 | 16:10 | $L=0.6003 \times SD-0.0518$ | $L=0.8303 \times SD-0.0460$ |
| | | 0.690-0.950:1 | 16:9 | $L=0.6170 \times SD-0.0518$ | $L=0.8534 \times SD-0.0460$ |
| | | 0.830-1.15:1 | 4:3 | $L=0.6795 \times SD-0.0518$ | $L=0.9400 \times SD-0.0460$ |
| | ET-EMW500 | 0.950-1.36:1 | 16:10 | $L=0.8185 \times SD-0.0509$ | $L=1.1760 \times SD-0.0500$ |
| | | 0.950-1.36:1 | 16:9 | $L=0.8413 \times SD-0.0509$ | $L=1.2087 \times SD-0.0500$ |
| | | 1.14-1.63:1 | 4:3 | $L=0.9266 \times SD-0.0509$ | $L=1.3313 \times SD-0.0500$ |
| | ET-EMT700 | 2.10-4.14:1 | 16:10 | $L=1.8007 \times SD-0.1082$ | $L=3.5693 \times SD-0.1046$ |
| | | 2.10-4.15:1 | 16:9 | $L=1.8508 \times SD-0.1082$ | $L=3.6685 \times SD-0.1046$ |
| | | 2.50-4.97:1 | 4:3 | $L=2.0385 \times SD-0.1082$ | $L=4.0407 \times SD-0.1046$ |
| | ET-EMT800 | 4.14-7.40:1 | 16:10 | $L=3.3441 \times SD+0.3209$ | $L=6.1906 \times SD+0.2998$ |
| | | 4.12-7.40:1 | 16:9 | $L=3.4371 \times SD+0.3209$ | $L=6.3627 \times SD+0.2998$ |
| | | 4.93-8.70:1 | 4:3 | $L=3.7858 \times SD+0.3209$ | $L=7.0082 \times SD+0.2998$ |

Note

● For more information on ET-EMU100, please check ET-EMU100's specsheet.

Lens shift range

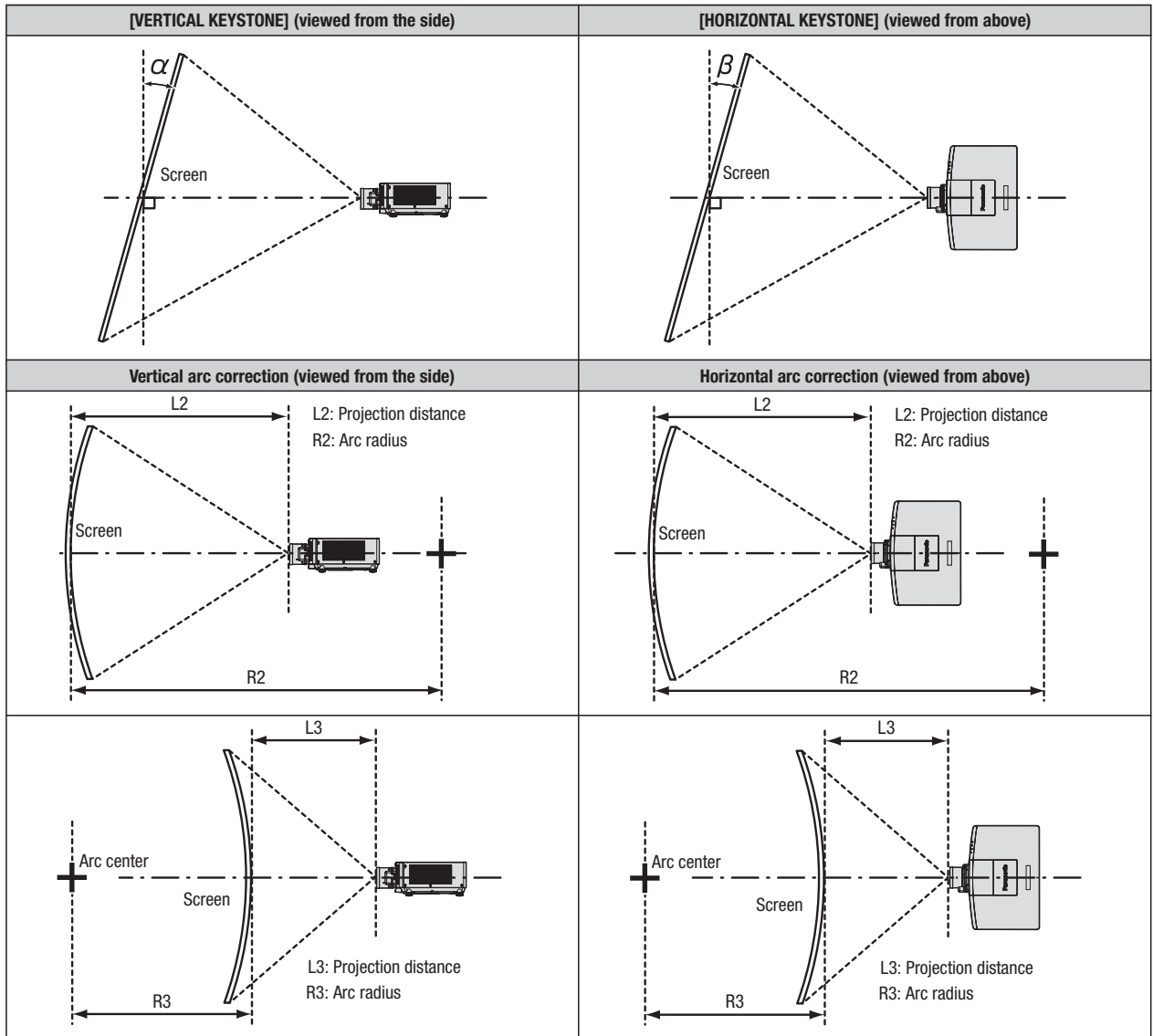
The projector can adjust the position of the projected image within the lens shift range for each projection lens based on the position of the projected image in the home position (standard projection position). Perform the lens shift adjustment within the range indicated in the following illustration. Note that moving the lens outside the adjustment range may change the focus. This is because the shift of the lens is restricted to protect the optical parts. Following illustration indicates the lens shift range when the projector is installed on desk/floor.

| Projection lens Model No. | ET-EMW400, ET-EMW500, ET-EMS600, ET-EMT700, ET-EMT800 | ET-EMW200 |
|---------------------------|---|--|
| Lens shift range | <p>Standard projection position</p> <p>0.2 H</p> <p>0.6 V</p> <p>0.28 V</p> <p>Projected image height V</p> <p>0.6 V</p> <p>0.2 H</p> <p>Projected image width H</p> <p>Origin position of the lens mounter</p> | <p>Standard projection position</p> <p>0.19 H</p> <p>0.4 V</p> <p>Projected image height V</p> <p>0.19 H</p> <p>Projected image width H</p> <p>Origin position of the lens mounter</p> |
| Projection lens Model No. | ET-EMW300 | |
| Lens shift range | <p>Standard projection position</p> <p>0.2 H</p> <p>0.5 V</p> <p>0.13 V</p> <p>Projected image height V</p> <p>0.5 V</p> <p>0.2 H</p> <p>Projected image width H</p> <p>Origin position of the lens mounter</p> | |

Note

● For more information on ET-EMU100, please check ET-EMU100's specsheet.

[SCREEN ADJUSTMENT] projection range



| Projection lens Model No. | Only [KEYSTONE] used | | [KEYSTONE] and [CURVED CORRECTION] used together | | | | Only [CURVED CORRECTION] used | |
|---------------------------|---|--|--|--|---------------------|---------------------|-------------------------------|---------------------|
| | Vertical keystone correction angle α (°) | Horizontal keystone correction angle β (°) | Vertical keystone correction angle α (°) | Horizontal keystone correction angle β (°) | Min. value of R2/L2 | Min. value of R3/L3 | Min. value of R2/L2 | Min. value of R3/L3 |
| ET-EMS600 | ±40 | ±15 | ±20 | ±15 | 1.1 | 2.6 | 0.6 | 1.5 |
| ET-EMW200 | ±14 | ±8 | – | – | – | – | – | – |
| ET-EMW300 | ±14 | ±8 | – | – | – | – | – | – |
| ET-EMW400 | ±22 | ±15 | ±8 | ±8 | 2 | 4.8 | 1.2 | 2.9 |
| ET-EMW500 | ±22 | ±15 | ±8 | ±8 | 1.6 | 3.9 | 0.9 | 2.3 |
| ET-EMT700 | ±40 | ±15 | ±20 | ±15 | 0.8 | 1.5 | 0.4 | 0.8 |
| ET-EMT800 | ±40 | ±15 | ±20 | ±15 | 0.4 | 0.7 | 0.2 | 0.4 |

Note

● For more information on ET-EMU100, please check ET-EMU100's specsheet.

When using the optional Upgrade Kit (Model No.: ET-UK20)

| Projection lens Model No. | Only [KEystone] used ¹ | | [KEystone] and [CURVED CORRECTION] used together | | | | Only [CURVED CORRECTION] used | |
|------------------------------|--|---|--|---|------------------------|------------------------|-------------------------------|------------------------|
| | Vertical keystone correction angle α (°) | Horizontal keystone correction angle β (°) | Vertical keystone correction angle α (°) | Horizontal keystone correction angle β (°) | Min. value of R2/L2 | Min. value of R3/L3 | Min. value of R2/L2 | Min. value of R3/L3 |
| ET-EMS600 | ±40 | ±40 | ±20 | ±15 | 0.9 | 2 | 0.5 | 1.1 |
| ET-EMW200 | ±14 | ±8 | — | — | — | — | — | — |
| ET-EMW300 | ±14 | ±8 | — | — | — | — | — | — |
| ET-EMW400 | ±22 | ±15 | ±8 | ±8 | 1.5 | 3.7 | 0.9 | 2.2 |
| ET-EMW500 | ±22 | ±15 | ±8 | ±8 | 1.2 | 3 | 0.7 | 1.7 |
| ET-EMT700 | ±40 | ±40 | ±20 | ±15 | 0.6 | 1.1 | 0.3 | 0.6 |
| ET-EMT800 | ±40 | ±40 | ±20 | ±15 | 0.3 | 0.6 | 0.2 | 0.3 |

¹ When [VERTICAL KEYSTONE] and [HORIZONTAL KEYSTONE] are used simultaneously, correction cannot be made exceeding total of 55°.

Note

- When [GEOMETRY] is used, the focus of the entire screen may be lost as correction increases.
- Make the curved screen a circular arc shape with one part of a perfect circle removed.
- Adjustment range of the [GEOMETRY] items may not match the listed projection range depending on the projection lens. Use this projector within the projection range, otherwise the correction may not work.

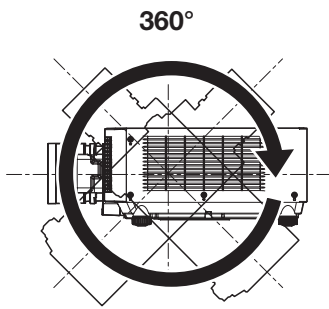
Note

- For more information on ET-EMU100, please check ET-EMU100's specs sheet.

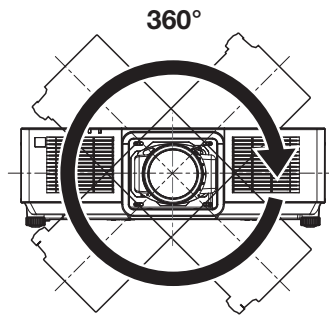
Installable angle

Install the projector at an angle within the range shown below.

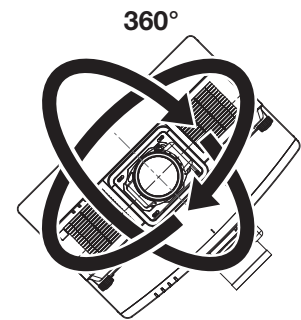
FULL 360-degree projection



Vertical 360-deg.



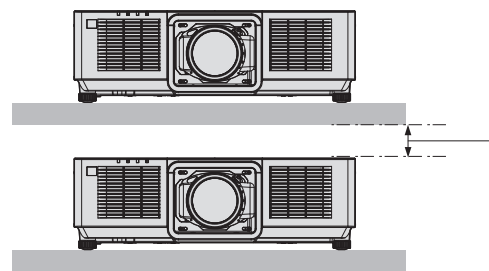
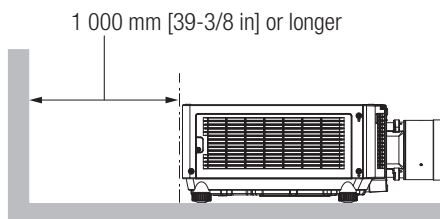
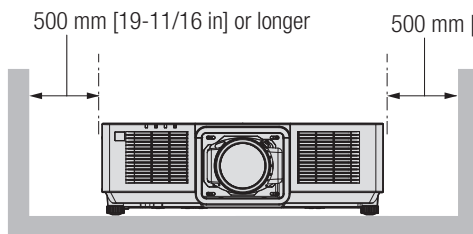
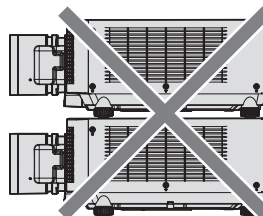
Horizontal 360-deg.



Tilting 360-deg.
(V&H combination)

Notes on projector placement and operation

1. Never place objects on top of the projector while it is operating.
2. Make sure there is the unobstructed space as shown below or more around the projector's exhaust openings. In addition to this space, also ensure that there is a sufficient work space for removing and installing filter and other parts.
3. Make sure that nothing blocks the projector's air intake and exhaust openings. Also, install the projector so that cool or hot air from other air conditioning equipment does not flow directly toward the projector's air intake or exhaust openings.
4. Do not install the projector in an enclosed space. If it is necessary to install it in an enclosed space, add a separate ventilation system. If ventilation is insufficient, hot air will accumulate at the intake opening. This may cause the projector's protective circuit to interrupt projector operation.



100 mm [3-15/16 in]
or longer

List of compatible signals

The following table specifies the video signals compatible with the projector. For details of SDI signal, refer to “List of single link SDI compatible signals”.

This projector supports the signal with ✓ in the compatible signal column.

• The content of the compatible signal column is as follows.

-RGB:RGB input -DVI-D:DVI-D input -HDMI:HDMI input -DIGITAL LINK:DIGITAL LINK input

| Signal name (SIGNAL FORMAT) | Resolution (Dots) | Scanning freq. | | Dot clock freq. (MHz) | Compatible signal | | | |
|--------------------------------|--------------------------|---------------------|-------------------|--------------------------|-------------------|-------|----------------|----------------|
| | | Horizontal (kHz) | Vertical (Hz) | | RGB | DVI-D | HDMI | DIGITAL LINK |
| 480/60p | 720 x 480 | 31.5 | 59.9 | 27.0 | ✓ | ✓ | ✓ | ✓ |
| 576/50p | 720 x 576 | 31.3 | 50.0 | 27.0 | ✓ | ✓ | ✓ | ✓ |
| 720/60p | 1280 x 720 | 45.0 | 60.0 ¹ | 74.3 | ✓ | ✓ | ✓ | ✓ |
| 720/50p | 1280 x 720 | 37.5 | 50.0 | 74.3 | ✓ | ✓ | ✓ | ✓ |
| 1080/60i | 1920 x 1080i | 33.8 | 60.0 ¹ | 74.3 | ✓ | ✓ | ✓ | ✓ |
| 1080/50i | 1920 x 1080i | 28.1 | 50.0 | 74.3 | ✓ | ✓ | ✓ | ✓ |
| 1080/24p | 1920 x 1080 | 27.0 | 24.0 ¹ | 74.3 | ✓ | ✓ | ✓ | ✓ |
| 1080/24sF | 1920 x 1080i | 27.0 | 48.0 ¹ | 74.3 | ✓ | ✓ | ✓ | ✓ |
| 1080/25p | 1920 x 1080 | 28.1 | 25.0 | 74.3 | ✓ | ✓ | ✓ | ✓ |
| 1080/30p | 1920 x 1080 | 33.8 | 30.0 ¹ | 74.3 | ✓ | ✓ | ✓ | ✓ |
| 1080/60p | 1920 x 1080 | 67.5 | 60.0 ¹ | 148.5 | ✓ | ✓ | ✓ | ✓ |
| 1080/50p | 1920 x 1080 | 56.3 | 50.0 | 148.5 | ✓ | ✓ | ✓ | ✓ |
| 3840 x 2160/24p | 3840 x 2160 | 54.0 | 24.0 ¹ | 297.0 | - | - | ✓ | ✓ |
| 3840 x 2160/25p | 3840 x 2160 | 56.3 | 25.0 | 297.0 | - | - | ✓ | ✓ |
| 3840 x 2160/30p | 3840 x 2160 | 67.5 | 30.0 ¹ | 297.0 | - | - | ✓ | ✓ |
| 3840 x 2160/60p | 3840 x 2160 | 135.0 | 60.0 ¹ | 297.0 | - | - | ✓ ² | ✓ ² |
| | 3840 x 2160 | 135.0 | 60.0 ¹ | 594.0 | - | - | ✓ | - |
| 3840 x 2160/50p | 3840 x 2160 | 112.5 | 50.0 | 297.0 | - | - | ✓ ² | ✓ ² |
| | 3840 x 2160 | 112.5 | 50.0 | 594.0 | - | - | ✓ | - |
| 4096 x 2160/24p | 4096 x 2160 | 54.0 | 24.0 ¹ | 297.0 | - | - | ✓ | ✓ |
| 4096 x 2160/25p | 4096 x 2160 | 56.3 | 25.0 | 297.0 | - | - | ✓ | ✓ |
| 4096 x 2160/30p | 4096 x 2160 | 67.5 | 30.0 ¹ | 297.0 | - | - | ✓ | ✓ |
| 4096 x 2160/60p | 4096 x 2160 | 135.0 | 60.0 ¹ | 297.0 | - | - | ✓ ² | ✓ ² |
| | 4096 x 2160 | 135.0 | 60.0 ¹ | 594.0 | - | - | ✓ | - |
| 4096 x 2160/50p | 4096 x 2160 | 112.5 | 50.0 | 297.0 | - | - | ✓ ² | ✓ ² |
| | 4096 x 2160 | 112.5 | 50.0 | 594.0 | - | - | ✓ | - |
| 640 x 480/60 | 640 x 480 | 31.5 | 59.9 | 25.2 | ✓ | ✓ | ✓ | ✓ |
| 1024 x 768/50 | 1024 x 768 | 39.6 | 50.0 | 51.9 | ✓ | ✓ | ✓ | ✓ |
| 1024 x 768/60 | 1024 x 768 | 48.4 | 60.0 | 65.0 | ✓ | ✓ | ✓ | ✓ |
| 1280 x 800/50 | 1280 x 800 | 41.3 | 50.0 | 68.0 | ✓ | ✓ | ✓ | ✓ |
| 1280 x 800/60 | 1280 x 800 | 49.7 | 59.8 | 83.5 | ✓ | ✓ | ✓ | ✓ |
| 1280 x 1024/50 | 1280 x 1024 | 52.4 | 50.0 | 88.0 | ✓ | ✓ | ✓ | ✓ |
| 1280 x 1024/60 | 1280 x 1024 | 64.0 | 60.0 | 108.0 | ✓ | ✓ | ✓ | ✓ |
| 1366 x 768/50 | 1366 x 768 | 39.6 | 49.9 | 69.0 | ✓ | ✓ | ✓ | ✓ |
| 1366 x 768/60 | 1366 x 768 | 47.7 | 59.8 | 85.5 | ✓ | ✓ | ✓ | ✓ |
| 1400 x 1050/50 | 1400 x 1050 | 54.1 | 50.0 | 99.9 | ✓ | ✓ | ✓ | ✓ |
| 1400 x 1050/60 | 1400 x 1050 | 65.2 | 60.0 | 122.6 | ✓ | ✓ | ✓ | ✓ |
| 1440 x 900/50 | 1440 x 900 | 46.3 | 49.9 | 86.8 | ✓ | ✓ | ✓ | ✓ |
| 1440 x 900/60 | 1440 x 900 | 55.9 | 59.9 | 106.5 | ✓ | ✓ | ✓ | ✓ |
| 1600 x 900/50 | 1600 x 900 | 46.4 | 49.9 | 96.5 | ✓ | ✓ | ✓ | ✓ |
| 1600 x 900/60 | 1600 x 900 | 55.9 | 60.0 | 119.0 | ✓ | ✓ | ✓ | ✓ |
| 1600 x 1200/50 | 1600 x 1200 | 61.8 | 49.9 | 131.5 | ✓ | ✓ | ✓ | ✓ |
| 1600 x 1200/60 | 1600 x 1200 | 75.0 | 60.0 | 162.0 | ✓ | ✓ | ✓ | ✓ |
| 1680 x 1050/50 | 1680 x 1050 | 54.1 | 50.0 | 119.5 | ✓ | ✓ | ✓ | ✓ |
| 1680 x 1050/60 | 1680 x 1050 | 65.3 | 60.0 | 146.3 | ✓ | ✓ | ✓ | ✓ |
| 1920 x 1200/50 | 1920 x 1200 | 61.8 | 49.9 | 158.3 | ✓ | ✓ | ✓ | ✓ |
| 1920 x 1200/60RB | 1920 x 1200 ³ | 74.0 | 60.0 | 154.0 | ✓ | ✓ | ✓ | ✓ |

1 The signal with 1/1.001x vertical scanning frequency is also supported.

2 YPbPr 4:2:0 format only

3 VESA CVT-RB (Reduced Blanking)-compliant

Note

- A signal with a different resolution is converted to the number of display dots. The number of display dots is 1920 x 1200.
- The “i” at the end of the resolution indicates an interlaced signal.
- When interlaced signals are connected, flickering may occur on the projected image.
- When the DIGITAL LINK connection is made with the long-reach communication method, the signal that the projector can receive is up to 1080/60p (1920 x 1080 dots, dot clock frequency 148.5 MHz).
- Even if it is the signal listed in the list of compatible signals, it may not be displayed by the projector if the video signal is recorded in a special format.

List of plug and play compatible signals

The following table specifies the video signals compatible with plug and play.

Signal with ✓ in the plug and play compatible signal column is the signal described in the EDID (extended display identification data) of the projector.

For the signal without ✓ in the plug and play compatible signal column, the resolution may not be selected on the computer even if the projector is supporting it.

• Input corresponding to each item in the plug and play signal column is as follows.

-RGB:RGB input -DVI-D:DVI-D input -HDMI:HDMI input -DIGITAL LINK:DIGITAL LINK input

| Signal name (SIGNAL FORMAT) | Resolution (Dots) | Scanning freq. | | Dot clock freq. (MHz) | Plug and play compatible signal | | | | | | | | | | |
|--------------------------------|--------------------------|---------------------|-------------------|-----------------------------|---------------------------------|-------|-------|-------|----------------|--------|----|----------------|--------|----|---|
| | | Horizontal (kHz) | Vertical (Hz) | | RGB | DVI-D | | | HDMI | | | DIGITAL LINK | | | |
| | | | | | | EDID1 | EDID2 | EDID3 | 4K/60p | 4K/30p | 2K | 4K/60p | 4K/30p | 2K | |
| 480/60p | 720 x 480 | 31.5 | 59.9 | 27.0 | - | ✓ | - | ✓ | ✓ | ✓ | ✓ | ✓ | ✓ | ✓ | ✓ |
| 576/50p | 720 x 576 | 31.3 | 50.0 | 27.0 | - | ✓ | - | ✓ | ✓ | ✓ | ✓ | ✓ | ✓ | ✓ | ✓ |
| 720/60p | 1280 x 720 | 45.0 | 60.0 ¹ | 74.3 | - | ✓ | - | ✓ | ✓ | ✓ | ✓ | ✓ | ✓ | ✓ | ✓ |
| 720/50p | 1280 x 720 | 37.5 | 50.0 | 74.3 | - | ✓ | - | ✓ | ✓ | ✓ | ✓ | ✓ | ✓ | ✓ | ✓ |
| 1080/60i | 1920 x 1080i | 33.8 | 60.0 ¹ | 74.3 | - | ✓ | - | ✓ | ✓ | ✓ | ✓ | ✓ | ✓ | ✓ | ✓ |
| 1080/50i | 1920 x 1080i | 28.1 | 50.0 | 74.3 | - | ✓ | - | ✓ | ✓ | ✓ | ✓ | ✓ | ✓ | ✓ | ✓ |
| 1080/24p | 1920 x 1080 | 27.0 | 24.0 ¹ | 74.3 | - | ✓ | - | ✓ | ✓ | ✓ | ✓ | ✓ | ✓ | ✓ | ✓ |
| 1080/24sF | 1920 x 1080i | 27.0 | 48.0 ¹ | 74.3 | - | - | - | - | - | - | - | - | - | - | - |
| 1080/25p | 1920 x 1080 | 28.1 | 25.0 | 74.3 | - | ✓ | - | ✓ | ✓ | ✓ | ✓ | ✓ | ✓ | ✓ | ✓ |
| 1080/30p | 1920 x 1080 | 33.8 | 30.0 ¹ | 74.3 | - | ✓ | - | ✓ | ✓ | ✓ | ✓ | ✓ | ✓ | ✓ | ✓ |
| 1080/60p | 1920 x 1080 | 67.5 | 60.0 ¹ | 148.5 | - | ✓ | - | ✓ | ✓ | ✓ | ✓ | ✓ | ✓ | ✓ | ✓ |
| 1080/50p | 1920 x 1080 | 56.3 | 50.0 | 148.5 | - | ✓ | - | ✓ | ✓ | ✓ | ✓ | ✓ | ✓ | ✓ | ✓ |
| 3840 x 2160/24p | 3840 x 2160 | 54.0 | 24.0 ¹ | 297.0 | - | - | - | - | ✓ | ✓ | - | ✓ | ✓ | - | - |
| 3840 x 2160/25p | 3840 x 2160 | 56.3 | 25.0 | 297.0 | - | - | - | - | ✓ | ✓ | - | ✓ | ✓ | - | - |
| 3840 x 2160/30p | 3840 x 2160 | 67.5 | 30.0 ¹ | 297.0 | - | - | - | - | ✓ | ✓ | - | ✓ | ✓ | - | - |
| 3840 x 2160/60p | 3840 x 2160 | 135.0 | 60.0 ¹ | 297.0 | - | - | - | - | ✓ ² | - | - | ✓ ² | - | - | - |
| | 3840 x 2160 | 135.0 | 60.0 ¹ | 594.0 | - | - | - | - | ✓ | - | - | - | - | - | - |
| 3840 x 2160/50p | 3840 x 2160 | 112.5 | 50.0 | 297.0 | - | - | - | - | ✓ ² | - | - | ✓ ² | - | - | - |
| | 3840 x 2160 | 112.5 | 50.0 | 594.0 | - | - | - | - | ✓ | - | - | - | - | - | - |
| 4096 x 2160/24p | 4096 x 2160 | 54.0 | 24.0 ¹ | 297.0 | - | - | - | - | ✓ | ✓ | - | ✓ | ✓ | - | - |
| 4096 x 2160/25p | 4096 x 2160 | 56.3 | 25.0 | 297.0 | - | - | - | - | ✓ | ✓ | - | ✓ | ✓ | - | - |
| 4096 x 2160/30p | 4096 x 2160 | 67.5 | 30.0 ¹ | 297.0 | - | - | - | - | ✓ | ✓ | - | ✓ | ✓ | - | - |
| 4096 x 2160/60p | 4096 x 2160 | 135.0 | 60.0 ¹ | 297.0 | - | - | - | - | ✓ ² | - | - | ✓ ² | - | - | - |
| | 4096 x 2160 | 135.0 | 60.0 ¹ | 594.0 | - | - | - | - | ✓ | - | - | - | - | - | - |
| 4096 x 2160/50p | 4096 x 2160 | 112.5 | 50.0 | 297.0 | - | - | - | - | ✓ ² | - | - | ✓ ² | - | - | - |
| | 4096 x 2160 | 112.5 | 50.0 | 594.0 | - | - | - | - | ✓ | - | - | - | - | - | - |
| 640 x 480/60 | 640 x 480 | 31.5 | 59.9 | 25.2 | ✓ | ✓ | ✓ | ✓ | ✓ | ✓ | ✓ | ✓ | ✓ | ✓ | ✓ |
| 1024 x 768/50 | 1024 x 768 | 39.6 | 50.0 | 51.9 | - | - | - | - | - | - | - | - | - | - | - |
| 1024 x 768/60 | 1024 x 768 | 48.4 | 60.0 | 65.0 | ✓ | ✓ | ✓ | ✓ | ✓ | ✓ | ✓ | ✓ | ✓ | ✓ | ✓ |
| 1280 x 800/50 | 1280 x 800 | 41.3 | 50.0 | 68.0 | - | - | - | - | - | - | - | - | - | - | - |
| 1280 x 800/60 | 1280 x 800 | 49.7 | 59.8 | 83.5 | - | - | - | - | - | - | - | - | - | - | - |
| 1280 x 1024/50 | 1280 x 1024 | 52.4 | 50.0 | 88.0 | - | - | - | - | - | - | - | - | - | - | - |
| 1280 x 1024/60 | 1280 x 1024 | 64.0 | 60.0 | 108.0 | - | - | - | - | - | - | - | - | - | - | - |
| 1366 x 768/50 | 1366 x 768 | 39.6 | 49.9 | 69.0 | - | - | - | - | - | - | - | - | - | - | - |
| 1366 x 768/60 | 1366 x 768 | 47.7 | 59.8 | 85.5 | - | - | - | - | - | - | - | - | - | - | - |
| 1400 x 1050/50 | 1400 x 1050 | 54.1 | 50.0 | 99.9 | - | - | - | - | - | - | - | - | - | - | - |
| 1400 x 1050/60 | 1400 x 1050 | 65.2 | 60.0 | 122.6 | ✓ | - | ✓ | ✓ | ✓ | ✓ | ✓ | ✓ | ✓ | ✓ | ✓ |
| 1440 x 900/50 | 1440 x 900 | 46.3 | 49.9 | 86.8 | - | - | - | - | - | - | - | - | - | - | - |
| 1440 x 900/60 | 1440 x 900 | 55.9 | 59.9 | 106.5 | - | - | - | - | - | - | - | - | - | - | - |
| 1600 x 900/50 | 1600 x 900 | 46.4 | 49.9 | 96.5 | - | - | - | - | - | - | - | - | - | - | - |
| 1600 x 900/60 | 1600 x 900 | 55.9 | 60.0 | 119.0 | ✓ | - | ✓ | ✓ | ✓ | ✓ | ✓ | ✓ | ✓ | ✓ | ✓ |
| 1600 x 1200/50 | 1600 x 1200 | 61.8 | 49.9 | 131.5 | - | - | - | - | - | - | - | - | - | - | - |
| 1600 x 1200/60 | 1600 x 1200 | 75.0 | 60.0 | 162.0 | ✓ | - | ✓ | ✓ | ✓ | ✓ | ✓ | ✓ | ✓ | ✓ | ✓ |
| 1680 x 1050/50 | 1680 x 1050 | 54.1 | 50.0 | 119.5 | - | - | - | - | - | - | - | - | - | - | - |
| 1680 x 1050/60 | 1680 x 1050 | 65.3 | 60.0 | 146.3 | - | - | - | - | - | - | - | - | - | - | - |
| 1920 x 1200/50 | 1920 x 1200 | 61.8 | 49.9 | 158.3 | - | - | - | - | - | - | - | - | - | - | - |
| 1920 x 1200/60RB | 1920 x 1200 ³ | 74.0 | 60.0 | 154.0 | ✓ | - | ✓ | ✓ | ✓ | ✓ | ✓ | ✓ | ✓ | ✓ | ✓ |

1 The signal with 1/1.001x vertical scanning frequency is also supported.
 2 YPbPr 4:2:0 format only
 3 VESA CVT-RB (Reduced Blanking)-compliant

Note

- A signal with a different resolution is converted to the number of display dots. The number of display dots is 1920 x 1200.
- The "i" at the end of the resolution indicates an interlaced signal.
- When interlaced signals are connected, flickering may occur on the projected image.
- When the DIGITAL LINK connection is made with the long-reach communication method, the signal that the projector can receive is up to 1080/60p (1920 x 1080 dots, dot clock frequency 148.5 MHz).
- Even if it is the signal listed in the list of compatible signals, it may not be displayed by the projector if the video signal is recorded in a special format.

List of single link SDI compatible signals

The following table specifies the single link SDI signals that the projector can project.

| Signal name (SIGNAL FORMAT) | Resolution (Dots) | Scanning freq. | | Dot clock freq. (MHz) | Format | Color format | Sampling |
|--------------------------------|----------------------|---------------------|-------------------|-----------------------------|----------------|--------------|-------------|
| | | Horizontal (kHz) | Vertical (Hz) | | | | |
| 720/60p | 1280 x 720 | 45.0 | 60.0 ¹ | 74.3 | HD-SDI | YPbPr | 4:2:2 10bit |
| 720/50p | 1280 x 720 | 37.5 | 50.0 | 74.3 | HD-SDI | YPbPr | 4:2:2 10bit |
| 1080/60i | 1920 x 1080i | 33.8 | 60.0 ¹ | 74.3 | HD-SDI | YPbPr | 4:2:2 10bit |
| | 1920 x 1080i | 33.8 | 60.0 ¹ | 74.3 | 3G-SDI Level-A | RGB | 4:4:4 10bit |
| | 1920 x 1080i | 33.8 | 60.0 ¹ | 74.3 | 3G-SDI Level-B | RGB | 4:4:4 10bit |
| | 1920 x 1080i | 33.8 | 60.0 ¹ | 74.3 | 3G-SDI Level-A | RGB | 4:4:4 12bit |
| | 1920 x 1080i | 33.8 | 60.0 ¹ | 74.3 | 3G-SDI Level-B | RGB | 4:4:4 12bit |
| 1080/50i | 1920 x 1080i | 28.1 | 50.0 | 74.3 | HD-SDI | YPbPr | 4:2:2 10bit |
| | 1920 x 1080i | 28.1 | 50.0 | 74.3 | 3G-SDI Level-A | RGB | 4:4:4 10bit |
| | 1920 x 1080i | 28.1 | 50.0 | 74.3 | 3G-SDI Level-B | RGB | 4:4:4 10bit |
| | 1920 x 1080i | 28.1 | 50.0 | 74.3 | 3G-SDI Level-A | RGB | 4:4:4 12bit |
| | 1920 x 1080i | 28.1 | 50.0 | 74.3 | 3G-SDI Level-B | RGB | 4:4:4 12bit |
| 1080/24p | 1920 x 1080 | 27.0 | 24.0 ¹ | 74.3 | HD-SDI | YPbPr | 4:2:2 10bit |
| | 1920 x 1080 | 27.0 | 24.0 ¹ | 74.3 | 3G-SDI Level-A | RGB | 4:4:4 10bit |
| | 1920 x 1080 | 27.0 | 24.0 ¹ | 74.3 | 3G-SDI Level-B | RGB | 4:4:4 10bit |
| | 1920 x 1080 | 27.0 | 24.0 ¹ | 74.3 | 3G-SDI Level-A | RGB | 4:4:4 12bit |
| | 1920 x 1080 | 27.0 | 24.0 ¹ | 74.3 | 3G-SDI Level-B | RGB | 4:4:4 12bit |
| 1080/24sF | 1920 x 1080i | 27.0 | 48.0 ¹ | 74.3 | HD-SDI | YPbPr | 4:2:2 10bit |
| | 1920 x 1080i | 27.0 | 48.0 ¹ | 74.3 | 3G-SDI Level-A | RGB | 4:4:4 10bit |
| | 1920 x 1080i | 27.0 | 48.0 ¹ | 74.3 | 3G-SDI Level-B | RGB | 4:4:4 10bit |
| | 1920 x 1080i | 27.0 | 48.0 ¹ | 74.3 | 3G-SDI Level-A | RGB | 4:4:4 12bit |
| | 1920 x 1080i | 27.0 | 48.0 ¹ | 74.3 | 3G-SDI Level-B | RGB | 4:4:4 12bit |
| 1080/25p | 1920 x 1080 | 28.1 | 25.0 | 74.3 | HD-SDI | YPbPr | 4:2:2 10bit |
| | 1920 x 1080 | 28.1 | 25.0 | 74.3 | 3G-SDI Level-A | RGB | 4:4:4 10bit |
| | 1920 x 1080 | 28.1 | 25.0 | 74.3 | 3G-SDI Level-B | RGB | 4:4:4 10bit |
| | 1920 x 1080 | 28.1 | 25.0 | 74.3 | 3G-SDI Level-A | RGB | 4:4:4 12bit |
| | 1920 x 1080 | 28.1 | 25.0 | 74.3 | 3G-SDI Level-B | RGB | 4:4:4 12bit |
| 1080/30p | 1920 x 1080 | 33.8 | 30.0 ¹ | 74.3 | HD-SDI | YPbPr | 4:2:2 10bit |
| | 1920 x 1080 | 33.8 | 30.0 ¹ | 74.3 | 3G-SDI Level-A | RGB | 4:4:4 10bit |
| | 1920 x 1080 | 33.8 | 30.0 ¹ | 74.3 | 3G-SDI Level-B | RGB | 4:4:4 10bit |
| | 1920 x 1080 | 33.8 | 30.0 ¹ | 74.3 | 3G-SDI Level-A | RGB | 4:4:4 12bit |
| | 1920 x 1080 | 33.8 | 30.0 ¹ | 74.3 | 3G-SDI Level-B | RGB | 4:4:4 12bit |
| 1080/60p | 1920 x 1080 | 67.5 | 60.0 ¹ | 148.5 | 3G-SDI Level-A | YPbPr | 4:2:2 10bit |
| | 1920 x 1080 | 67.5 | 60.0 ¹ | 148.5 | 3G-SDI Level-B | YPbPr | 4:2:2 10bit |
| 1080/50p | 1920 x 1080 | 56.3 | 50.0 | 148.5 | 3G-SDI Level-A | YPbPr | 4:2:2 10bit |
| | 1920 x 1080 | 56.3 | 50.0 | 148.5 | 3G-SDI Level-B | YPbPr | 4:2:2 10bit |
| 2K/24p | 2048 x 1080 | 27.0 | 24.0 ¹ | 74.3 | 3G-SDI Level-A | RGB | 4:4:4 10bit |
| | 2048 x 1080 | 27.0 | 24.0 ¹ | 74.3 | 3G-SDI Level-B | RGB | 4:4:4 10bit |
| | 2048 x 1080 | 27.0 | 24.0 ¹ | 74.3 | 3G-SDI Level-A | RGB | 4:4:4 12bit |
| | 2048 x 1080 | 27.0 | 24.0 ¹ | 74.3 | 3G-SDI Level-B | RGB | 4:4:4 12bit |
| 2K/25p | 2048 x 1080 | 28.1 | 25.0 | 74.3 | 3G-SDI Level-A | RGB | 4:4:4 10bit |
| | 2048 x 1080 | 28.1 | 25.0 | 74.3 | 3G-SDI Level-B | RGB | 4:4:4 10bit |
| | 2048 x 1080 | 28.1 | 25.0 | 74.3 | 3G-SDI Level-A | RGB | 4:4:4 12bit |
| | 2048 x 1080 | 28.1 | 25.0 | 74.3 | 3G-SDI Level-B | RGB | 4:4:4 12bit |
| 2K/30p | 2048 x 1080 | 33.8 | 30.0 ¹ | 74.3 | 3G-SDI Level-A | RGB | 4:4:4 10bit |
| | 2048 x 1080 | 33.8 | 30.0 ¹ | 74.3 | 3G-SDI Level-B | RGB | 4:4:4 10bit |
| | 2048 x 1080 | 33.8 | 30.0 ¹ | 74.3 | 3G-SDI Level-A | RGB | 4:4:4 12bit |
| | 2048 x 1080 | 33.8 | 30.0 ¹ | 74.3 | 3G-SDI Level-B | RGB | 4:4:4 12bit |
| 2K/48p | 2048 x 1080 | 54.0 | 48.0 ¹ | 148.5 | 3G-SDI Level-A | YPbPr | 4:2:2 10bit |
| | 2048 x 1080 | 54.0 | 48.0 ¹ | 148.5 | 3G-SDI Level-B | YPbPr | 4:2:2 10bit |
| 2K/50p | 2048 x 1080 | 56.3 | 50.0 | 148.5 | 3G-SDI Level-A | YPbPr | 4:2:2 10bit |
| | 2048 x 1080 | 56.3 | 50.0 | 148.5 | 3G-SDI Level-B | YPbPr | 4:2:2 10bit |
| 2K/60p | 2048 x 1080 | 67.5 | 60.0 ¹ | 148.5 | 3G-SDI Level-A | YPbPr | 4:2:2 10bit |
| | 2048 x 1080 | 67.5 | 60.0 ¹ | 148.5 | 3G-SDI Level-B | YPbPr | 4:2:2 10bit |

¹ The signal with 1/1.001x vertical scanning frequency is also supported.