

Specifications

Main unit

Power supply		AC 100 V–240 V, 50 Hz/60 Hz
Power consumption		NORMAL: 420 W (4.2 A), ECO: 255 W, QUIET: 196 W During Standby: Approx. 37 W (When [Standby Mode] is set to [Normal], and the [USB Power]/[Audio Out]/[Speaker]/[Computer Out]/[Quick Startup] functions are in use) Approx. 2 W (When [Standby Mode] is set to [Normal], network function is used, and the [USB Power]/[Audio Out]/[Speaker]/[Computer Out]/[Quick Startup] functions are not in use) Approx. 0.5 W (When [Standby mode] is set to [Eco])
BTU value		Max 1,433 BTU
DLP™ chip	Panel size	16.5 mm (0.65 in) diagonal (16:10 aspect ratio)
	Projection system	DLP™ chip x 1, DLP™ system
	Pixels	1,024,000 (1280 x 800)
Light source		Light Emitting Diode
Light output*1		3,500 lm (When [Light power] is set to [Normal] and [Picture Mode] is set to [Dynamic]) 2,600 lm (When [Light power] is set to [Eco] and [Picture Mode] is set to [Dynamic]) 2,100 lm (When [Light power] is set to [Quiet] and [Picture Mode] is set to [Dynamic])
Time until light output declines to 50 %*2		20,000 hours or more (NORMAL) <i>Conditions: Content is IEC62087: 2008 Broadcast contents, temperature at 30 degrees Celsius, altitude 1,400 m or less, dust environment 0.15 mg/m³.</i>
Resolution		1280 x 800 pixels
Contrast ratio*1		30,000:1 (When [Light power] is set to [Normal] and [Picture Mode] is set to [Dynamic])
Screen size		1.02 m–7.62 m (40–300 inches) diagonally, 16:10 aspect ratio
Center to corner zone ratio*1		90 %
Lens		Manual zoom (1.3x), manual focus F 1.7–1.86, f 19.03 mm–24.95 mm (throw ratio: 1.35–1.77:1)
Compatible signal	HDMI signal input	<ul style="list-style-type: none"> ● Displayable resolution for movie-based signals: 480i/576i*3 to 1920 x 1080 ● Displayable resolution for still image signals: 640 x 480 to 1920 x 1200 (non-interlaced) ● Dot clock frequency: 25 MHz to 162 MHz
	RGB signal input	<ul style="list-style-type: none"> ● Horizontal: 15 kHz–100 kHz, Vertical: 24 Hz–120 Hz ● Dot clock frequency: 162 MHz or less
	YPbPr/YCbCr signal input	<ul style="list-style-type: none"> ● Displayable resolution: 480i/576i to 1920 x 1080 ● Dot clock frequency: 148.5 MHz or less
	Video signal input	<ul style="list-style-type: none"> ● Horizontal: 15.73 kHz, Vertical: 59.94 Hz ● Horizontal: 15.63 kHz, Vertical: 50.00 Hz
Keystone correction range		Vertical: ±30 °
Lens shift (from the origin point of the lens mounter)		Vertical: +52 %, +42 %
Installation		Front, Rear, Front Ceiling, Rear Ceiling
Speaker		10 W x 1 (Monaural)
Terminals	HDMI IN 1/ HDMI IN 2	2 (HDMI 19-pin, HDCP 1.4 compatible, Deep Color support, Supralok/LockIt compatible) Audio signal Linear PCM (Sampling frequency: 48 kHz/44.1 kHz/32 kHz)
	COMPUTER 1 IN/ COMPUTER 2 IN	2 (High-density D-sub 15-pin female) RGB signal 0.7 V [p-p] 75 Ω (When G-SYNC: 1.0 V [p-p] 75 Ω) HD/SYNC: TTL high impedance, positive/negative polarity, compatible with VESA Standard VD: TTL high impedance, positive/negative polarity, compatible with VESA Standard HD/SYNC and VD do not support 3 value SYNC. YPbPr signal Y: 1.0 V [p-p] including synchronization signal, PbPr: 0.7 V [p-p] 75 Ω
	COMPUTER OUT	1 (High-density D-sub 15-pin female) RGB signal 0.7 V [p-p] 75 Ω (When G-SYNC: 1.0 V [p-p] 75 Ω) HD/SYNC: TTL high impedance VD: TTL high impedance HD/SYNC and VD do not support 3 value SYNC. YPbPr signal Y: 1.0 V [p-p] including synchronization signal, PbPr: 0.7 V [p-p] 75 Ω
	VIDEO IN	1 (Pin jack 1.0 V [p-p] 75 Ω)
	AUDIO 1 IN/ AUDIO 2 IN	2 (M3 stereo mini jack, 0.5 V [rms], input impedance 22 kΩ and more)
	VARIABLE AUDIO OUT	1 (M3 stereo mini jack, monitor output and stereo compatible, 0 V [rms] to 2.0 V [rms] variable, output impedance 2.2 kΩ and less)
	Micro USB	1 (For service use)
	DC OUT	1 (USB connector [type A], for power supply [DC 5 V, maximum 2 A])
	SERIAL IN	1 (D-sub 9-pin female, RS-232C compliant, for computer control use)
	LAN	1 (for RJ-45 network connection, PLink™ [Class 1] compatible, 10Base-T/100Base-T)

Power cord length		1.8 m (5 ft 11 in)	
Cabinet materials		Molded plastic	
Dimensions (W x H x D)*4		375 x 124 x 314 mm (14-3/4 x 4-7/8 x 12-3/8 inches) (including protruding parts)	
Weight*5		Approx. 6.7 kg (14.77 lbs)	
Operating noise*1		35 dB (Normal)/27 dB (Eco)/24 dB (Quiet)	
Operating environment	Operating environment temperature*6	When [Light Power] is set to [Normal]	0 °C (32 °F) to 40 °C (104 °F) Altitude: below 1,400 m (4,593'); [High Altitude]: [Off]
			0 °C (32 °F) to 35 °C (95 °F) Altitude: 1,400 m (4,593') – 2,100 m (6,890'); [High Altitude]: [High 1]
			0 °C (32 °F) to 35 °C (95 °F) Altitude: 2,100 m (6,890') – 2,700 m (8,858'); [High Altitude]: [High 2]
		When [Light Power] is set to [Eco] or [Quiet]	0 °C (32 °F) to 40 °C (104 °F) Altitude: below 1,400 m (4,593'); [High Altitude]: [Off]
0 °C (32 °F) to 35 °C (95 °F) Altitude: 1,400 m (4,593') – 2,700 m (8,858'); [High Altitude]: [High]			
0 °C (32 °F) to 35 °C (95 °F) Altitude: 2,700 m (8,858') – 4,200 m (13,780'); [High Altitude]: [High]			
	Operating environment humidity	20 % to 80 % (no condensation)	
LED Classification	Risk Group	Risk Group 2 (IEC 62471-5:2015)	

Remote control unit

Power supply	3 V DC (AAA/R03/LR03 battery x 2)
Operation range	Approx. 8 m (26 ft 3 in) (when operated directly in front of signal receptor)
Dimensions (W x H x D)	38 x 125 x 20 mm (1-1/2 x 4-29/32 x 25/32 in)
Weight	Approx. 40 g (1.4 ozs) (not including batteries)

Supplied accessories

- Wireless remote control unit (x 1)
- Power cord (1.8 m [5 ft 11 in] x 1)
- Batteries for remote control (R03/AAA type x 2)
- Lens cap string (x 1)
- Lens cap (x 1)
- Computer VGA cable (1.8 m [5 ft 11 in] x 1)

Optional accessories

- Ceiling Mount Bracket ET-PKL100H (for high ceilings)
- Ceiling Mount Bracket ET-PKL100S (for low ceilings)
- Ceiling Mount Bracket ET-PKV400B (Projector Mount Bracket)
- Early Warning Software ET-SWA100/105 series*

*The suffix of the Model No. differs according to the license type.

Other applications

- Multi Monitoring and Control Software (for Windows®)

Weights and dimensions shown are approximate. Specifications subject to change without notice.

*1 Measurement, measuring conditions, and method of notation all comply with ISO/IEC 21118: 2012 international standards.

*2 Around this time, light output will have decreased by approximately 50 %, IEC62087: 2008 Broadcast contents, under conditions with 30 °C (86 °F), 1,400 m (4,593') above sea level, and 0.15 mg/m³ of particulate matter. Estimated time until light output declines to 50 % varies depending on environment.

*3 Pixel-Repitition signal (dot clock frequency 27.0 MHz) only.

*4 When adjustable feet shortened.

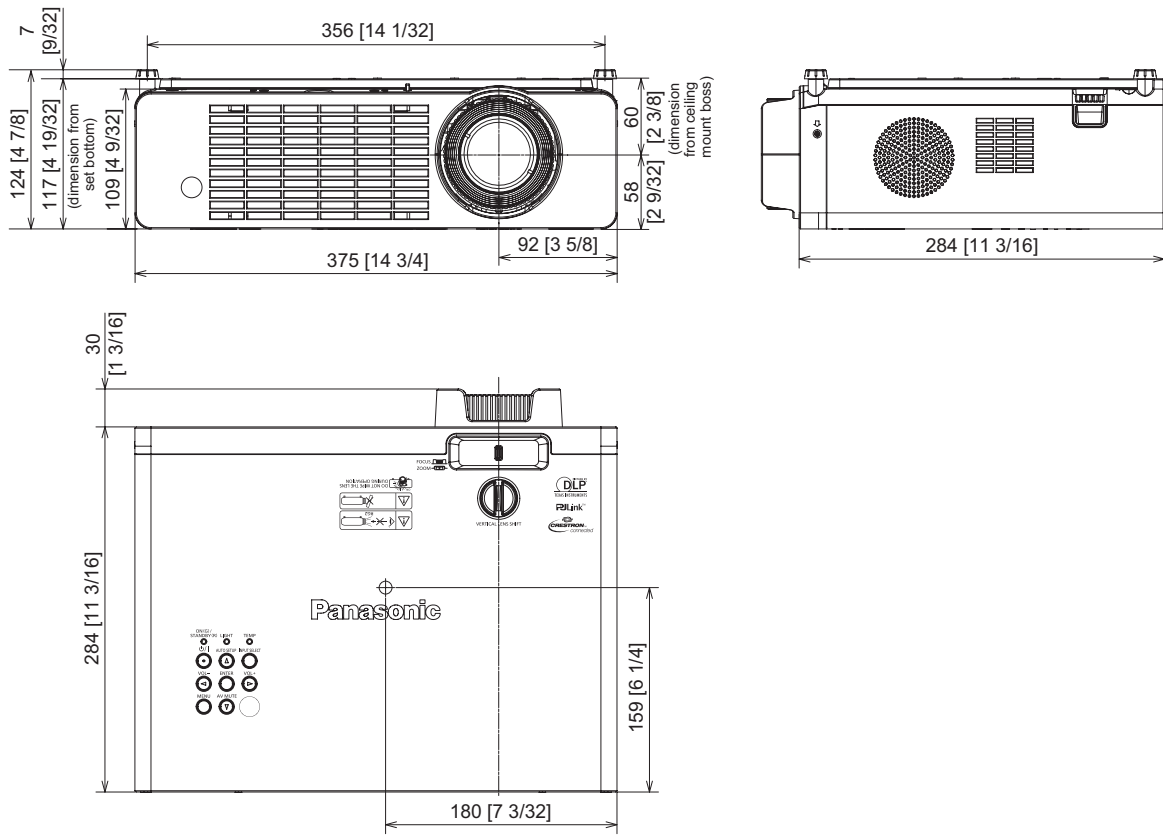
*5 Average value. May differ depending on models.

*6 The projector cannot be used at an altitude of 4,200 m (13,780') or higher above sea level.

Note that altitude of 4,200 m (13,780') above sea level is the maximum height that the performance of this projector is guaranteed.

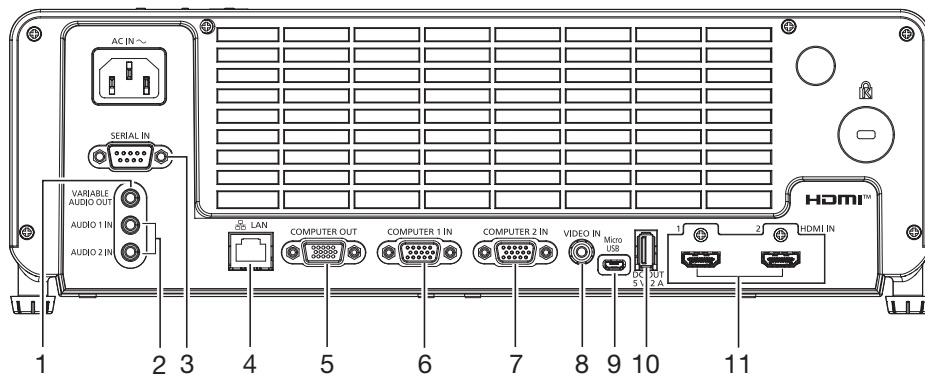
Dimensions

unit: mm (inch)
NOTE: This illustration is not drawn to scale.



* Actual dimensions may differ depending on the product.

Terminals



1	VARIABLE AUDIO OUT	7	COMPUTER 2 IN
2	AUDIO 1 IN/AUDIO 2 IN	8	VIDEO IN
3	SERIAL IN	9	Micro USB for service use only
4	LAN	10	DC OUT
5	COMPUTER OUT	11	HDMI IN 1/HDMI IN 2
6	COMPUTER 1 IN		

Projection distance

Unit: meters

Screen size	16:10 aspect ratio			16:9 aspect ratio			4:3 aspect ratio		
	Projection distance		Distance from lens center to image lower end	Projection distance		Distance from lens center to image lower end	Projection distance		Distance from lens center to image lower end
	Minimum distance	Maximum distance		Minimum distance	Maximum distance		Minimum distance	Maximum distance	
Diagonal (SD)	(LW)	(LT)	(H)	(LW)	(LT)	(H)	(LW)	(LT)	(H)
1.02 (40")	1.14	1.51	-0.0431 – 0.0135	1.18	1.56	-0.0131 – 0.0435	1.30	1.72	-0.0431 – 0.0135
1.27 (50")	1.44	1.90	-0.0538 – 0.0168	1.48	1.95	-0.0164 – 0.0542	1.63	2.15	-0.0538 – 0.0168
1.52 (60")	1.74	2.29	-0.0646 – 0.0202	1.78	2.34	-0.0198 – 0.0650	1.96	2.58	-0.0646 – 0.0202
1.78 (70")	2.03	2.67	-0.0754 – 0.0236	2.09	2.75	-0.0230 – 0.0760	2.30	3.03	-0.0754 – 0.0236
2.03 (80")	2.33	3.06	-0.0862 – 0.0269	2.39	3.14	-0.0264 – 0.0867	2.63	3.46	-0.0862 – 0.0269
2.29 (90")	2.62	3.45	-0.0969 – 0.0303	2.70	3.55	-0.0916 – 0.0977	2.97	3.91	-0.0969 – 0.0303
2.54 (100")	2.92	3.84	-0.1077 – 0.0337	3.00	3.94	-0.0329 – 0.1085	3.31	4.34	-0.1077 – 0.0337
3.05 (120")	3.51	4.61	-0.1292 – 0.0404	3.61	4.74	-0.0394 – 0.1302	3.98	5.22	-0.1292 – 0.0404
3.81 (150")	4.40	5.78	-0.1615 – 0.0505	4.52	5.94	-0.0493 – 0.1627	4.98	6.54	-0.1615 – 0.0505
5.08 (200")	5.88	7.72	-0.2154 – 0.0673	6.04	7.93	-0.0658 – 0.2169	6.66	8.73	-0.2154 – 0.0673
6.35 (250")	7.36	9.65	-0.2692 – 0.0841	7.57	9.92	-0.0822 – 0.2711	8.33	10.92	-0.2692 – 0.0841
7.62 (300")	8.84	11.59	-0.3231 – 0.1010	9.09	11.91	-0.0987 – 0.3254	10.01	13.12	-0.3231 – 0.1010

Unit: feet

Screen size	16:10 aspect ratio			16:9 aspect ratio			4:3 aspect ratio		
	Projection distance		Distance from lens center to image lower end	Projection distance		Distance from lens center to image lower end	Projection distance		Distance from lens center to image lower end
	Minimum distance	Maximum distance		Minimum distance	Maximum distance		Minimum distance	Maximum distance	
Diagonal (SD)	(LW)	(LT)	(H)	(LW)	(LT)	(H)	(LW)	(LT)	(H)
1.02 (40")	3.74	4.95	-0.1414 – 0.0443	3.87	5.12	-0.0430 – 0.1427	4.27	5.64	-0.1414 – 0.0443
1.27 (50")	4.72	6.23	-0.1765 – 0.0551	4.86	6.40	-0.0538 – 0.1778	5.35	7.05	-0.1765 – 0.0551
1.52 (60")	5.71	7.51	-0.2119 – 0.0663	5.84	7.68	-0.0650 – 0.2133	6.43	8.46	-0.2119 – 0.0663
1.78 (70")	6.66	8.76	-0.2474 – 0.0774	6.86	9.02	-0.0755 – 0.2493	7.55	9.94	-0.2474 – 0.0774
2.03 (80")	7.64	10.04	-0.2828 – 0.0883	7.84	10.30	-0.0866 – 0.2844	8.63	11.35	-0.2828 – 0.0883
2.29 (90")	8.60	11.32	-0.3179 – 0.0994	8.86	11.65	-2.9580 – 0.3205	9.74	12.83	-3.1791 – 0.0994
2.54 (100")	9.58	12.60	-0.3533 – 0.1106	9.84	12.93	-0.1079 – 0.3560	10.86	14.24	-0.3533 – 0.1106
3.05 (120")	11.52	15.12	-0.4239 – 0.1325	11.84	15.55	-0.1293 – 0.4272	13.06	17.13	-0.4239 – 0.1325
3.81 (150")	14.44	18.96	-0.5299 – 0.1657	14.83	19.49	-0.1617 – 0.5338	16.34	21.46	-0.5299 – 0.1657
5.08 (200")	19.29	25.33	-0.7067 – 0.2208	19.82	26.02	-0.2159 – 0.7116	21.85	28.64	-0.7067 – 0.2208
6.35 (250")	24.15	31.66	-0.8832 – 0.2759	24.84	32.55	-0.2697 – 0.8894	27.33	35.83	-0.8832 – 0.2759
7.62 (300")	29.00	38.02	-1.0600 – 0.3314	29.82	39.07	-0.3238 – 1.0676	32.84	43.04	-1.0600 – 0.3314

Calculation of the projection distance

For a screen size different from the above, use the equation below to calculate the projection distance.

Aspect ratio 16:10

minimum $L (m) = (\text{diagonal screen size inches}) \times 0.02960 - 0.0409$

maximum $L (m) = (\text{diagonal screen size inches}) \times 0.03874 - 0.0268$

Aspect ratio 16:9

minimum $L (m) = (\text{diagonal screen size inches}) \times 0.03042 - 0.0401$

maximum $L (m) = (\text{diagonal screen size inches}) \times 0.03984 - 0.0394$

Aspect ratio 4:3

minimum $L (m) = (\text{diagonal screen size inches}) \times 0.03351 - 0.0442$

maximum $L (m) = (\text{diagonal screen size inches}) \times 0.04388 - 0.0434$

Note

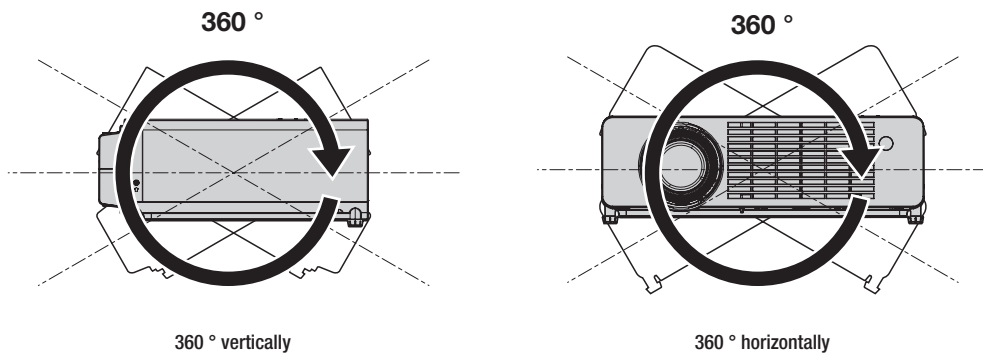
Distances calculated with the above equations will include a slight error.

- The value for L (distance to screen) varies slightly within ±5% depending on the zoom lens characteristics.
- When keystone correction is used, the image is corrected in the direction that reduces its projected size.

Installable angle

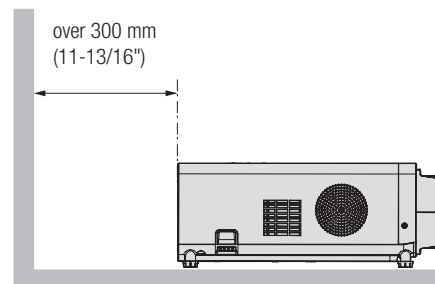
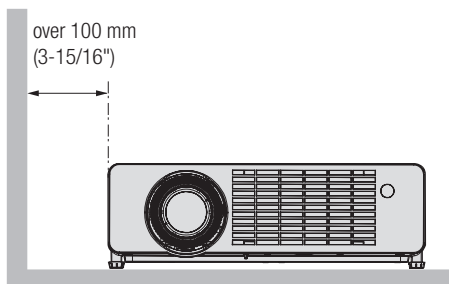
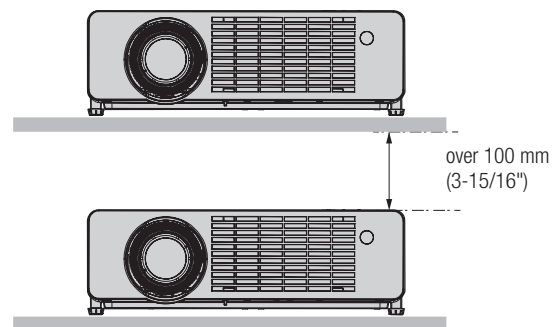
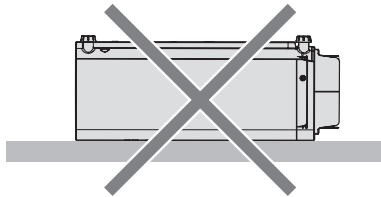
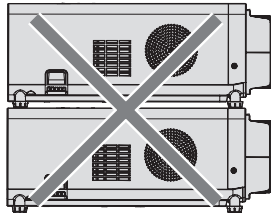
Install the projector at an angle within the range shown below.

Front and side 360-degree projection



Notes on projector placement and operation

1. Do not stack the projectors.
2. Do not use the projector supporting it by the top.
3. Do not block the vents (intake and exhaust) of the projector.
4. Avoid heating and cooling air from the air conditioning system directly blow to the vents (intake and exhaust) of the projector.
5. Do not install the projector in a confined space. When placing the projector in a confined space, a ventilation and/or air conditioning system is required. Exhaust heat may accumulate when the ventilation is not enough, triggering the protection circuit of the projector.
6. Panasonic takes no responsibility for any damage to the product caused by an inappropriate choice of location for installing the projector, even if the warranty period of the product has not expired.



List of compatible signals

The following table specifies the type of signals compatible with the projectors.

- Symbols that indicate formats are as follows.
 - V: VIDEO - R: RGB (analog) - Y: YPbPr/YCbCr (analog) - H: HDMI
- Input corresponding to each item in the plug and play column is as follows.
 - COMPUTER: COMPUTER 1 IN/COMPUTER 2 IN input - HDMI: HDMI 1 IN/HDMI 2 IN input

Mode	Display resolution (dots)	Scanning frequency		Dot clock frequency (MHz)	Format	Plug and play*1	
		Horizontal (kHz)	Vertical (Hz)			COMPUTER	HDMI
NTSC/NTSC4.43/PAL-M/PAL60	720 x 480i	15.7	59.9	-	V	-	-
PAL/PAL-N/SECAM	720 x 576i	15.6	50.0	-	V	-	-
480/60i	720 x 480i	15.7	59.9	13.5	Y	-	-
576/50i	720 x 576i	15.6	50.0	13.5	Y	-	-
480/60i	720 (1440) x 480i*2	15.7	59.9	27.0	H	-	✓
576/50i	720 (440) x 576i*2	15.6	50.0	27.0	H	-	✓
480/60p	720 x 480	31.5	59.9	27.0	Y/H	-	✓
576/50p	720 x 576	31.3	50.0	27.0	Y/H	-	✓
720/60p	1280 x 720	45.0	60.0*3	74.3	Y/H	-	✓
720/50p	1280 x 720	37.5	50.0	74.3	Y/H	-	✓
1080/60i	1920 x 1080i	33.8	60.0*3	74.3	Y/H	-	✓
1080/50i	1920 x 1080i	28.1	50.0	74.3	Y/H	-	✓
1080/24p	1920 x 1080	27.0	24.0*3	74.3	Y/H	-	✓
1080/24sF	1920 x 1080i	27.0	48.0*3	74.3	Y/H	-	-
1080/25p	1920 x 1080	28.1	25.0	74.3	Y/H	-	-
1080/30p	1920 x 1080	33.8	30.0*3	74.3	Y/H	-	-
1080/60p	1920 x 1080	67.5	60.0*3	148.5	Y/H	-	✓
1080/50p	1920 x 1080	56.3	50.0	148.5	Y/H	-	✓
640 x 480/60	640 x 480	31.5	59.9	25.2	R/H	✓	✓
640 x 480/73	640 x 480	37.9	72.8	31.5	R/H	✓	✓
640 x 480/75	640 x 480	37.5	75.0	31.5	R/H	✓	✓
640 x 480/85	640 x 480	43.3	85.0	36.0	R/H	-	-
640 x 480/120	640 x 480*4	61.1	120.0	44.0	R/H	✓	✓
800 x 600/56	800 x 600	35.2	56.3	36.0	R/H	✓	✓
800 x 600/60	800 x 600	37.9	60.3	40.0	R/H	✓	✓
800 x 600/72	800 x 600	48.1	72.2	50.0	R/H	✓	✓
800 x 600/75	800 x 600	46.9	75.0	49.5	R/H	✓	✓
800 x 600/85	800 x 600	53.7	85.1	56.3	R/H	-	-
800 x 600/120	800 x 600*4	76.3	120.0	73.3	R/H	✓	✓
1024 x 768/60	1024 x 768	48.4	60.0	65.0	R/H	✓	✓
1024 x 768/70	1024 x 768	56.5	70.1	75.0	R/H	✓	✓
1024 x 768/75	1024 x 768	60.0	75.0	78.8	R/H	✓	✓
1024 x 768/85	1024 x 768	68.7	85.0	94.5	R/H	-	-
1152 x 864/75	1152 x 864	67.5	75.0	108.0	R/H	-	-
1280 x 720/60	1280 x 720	45.0	60.0	74.3	R/H	✓	✓
1280 x 720/120	1280 x 720*4	90.0	120.0	148.5	R/H	✓	✓
1280 x 768/60	1280 x 768	47.8	59.9	79.5	R/H	-	-
1280 x 768/75	1280 x 768	60.3	74.9	102.3	R/H	-	-
1280 x 768/85	1280 x 768	68.6	84.8	117.5	R/H	-	-
1280 x 800/60	1280 x 800	49.7	59.8	83.5	R/H	✓	✓
1280 x 800/120	1280 x 800*4	101.6	119.9	146.3	R/H	✓	✓
1280 x 960/60	1280 x 960	60.0	60.0	108.0	R/H	-	-
1280 x 960/75	1280 x 960	75.2	74.9	130.0	R/H	-	-
1280 x 1024/60	1280 x 1024	64.0	60.0	108.0	R/H	-	-
1280 x 1024/75	1280 x 1024	80.0	75.0	135.0	R/H	✓	✓
1280 x 1024/85	1280 x 1024	91.1	85.0	157.5	R/H	-	-
1366 x 768/60	1366 x 768	47.7	59.8	85.5	R/H	✓	✓
1400 x 1050/60	1400 x 1050*4	64.7	59.9	101.0	R/H	-	-
1440 x 900/60	1440 x 900*4	55.5	59.9	88.8	R/H	✓	✓
1600 x 1200/60	1600 x 1200	75.0	60.0	162.0	R/H	✓	✓
1680 x 1050/60	1680 x 1050*4	64.7	59.9	119.0	R/H	-	-
1920 x 1080/60	1920 x 1080	67.5	60.0	148.5	R/H	✓	✓
1920 x 1080/50	1920 x 1080	56.3	50.0	148.5	R/H	✓	✓
1920 x 1200/60	1920 x 1200*4	74.0	60.0	154.0	R/H	-	-

- *1 Signal with ✓ in the plug and play column is a signal described in the EDID (extended display identification data) of the projector.
The signal that does not have ✓ in the plug and play column can also be input if it is described in the format column.
The resolution may not be selected in the computer even if the projector is compatible with the signal that does not have ✓ in the plug and play column.
- *2 Pixel-Repetition signal (dot clock frequency 27.0 MHz) only.
- *3 The signal with 1/1.001x vertical scanning frequency is also supported.
- *4 VESA CVT-RB (Reduced Blanking)-compliant.

Note

- A signal with a different resolution is converted to the number of display dots. The number of display dots is as follows.
- PT-LRW35/PT-LRW35U: 1280 x 800
- The "i" at the end of the resolution indicates an interlaced signal.
- When interlaced signals are connected, flicker may occur on the projected image.
- The image may not be displayed in full screen according to the computer output setting.

List of 3D compatible signals

The following table specifies the 3D compatible video signals compatible with the projector.

- Abbreviations for input formats and 3D formats in the table have the following meanings.
- FP: Frame packing format - SBS: Side by side format - TB: Top and bottom format

Signal name (SIGNAL FORMAT)	Resolution (Dots)	Scanning frequency		Dot clock frequency (MHz)	HDMI*1		
		Horizontal (kHz)	Vertical (Hz)		FP	SBS*2	TB
720/60p	1280 x 720	45.0	60.0*3	74.3	✓	✓	✓
720/50p	1280 x 720	37.5	50.0	74.3	✓	✓	✓
1080/60i	1920 x 1080i	33.8	60.0*3	74.3	-	✓	-
1080/50i	1920 x 1080i	28.1	50.0	74.3	-	✓	-
1080/24p	1920 x 1080	27.0	24.0*3	74.3	✓	✓	✓
1080/60p	1920 x 1080	67.5	60.0*3	148.5	-	✓	✓
1080/50p	1920 x 1080	56.3	50.0	148.5	-	✓	✓

- *1 Signal with ✓ in the HDMI column is a signal described in the EDID (extended display identification data) of the projector.
- *2 Supports half.
- *3 The signal with 1/1.001x vertical scanning frequency is also supported.