

SECTION 5


EXPLODED VIEWS & REPLACEMENT PARTS LIST

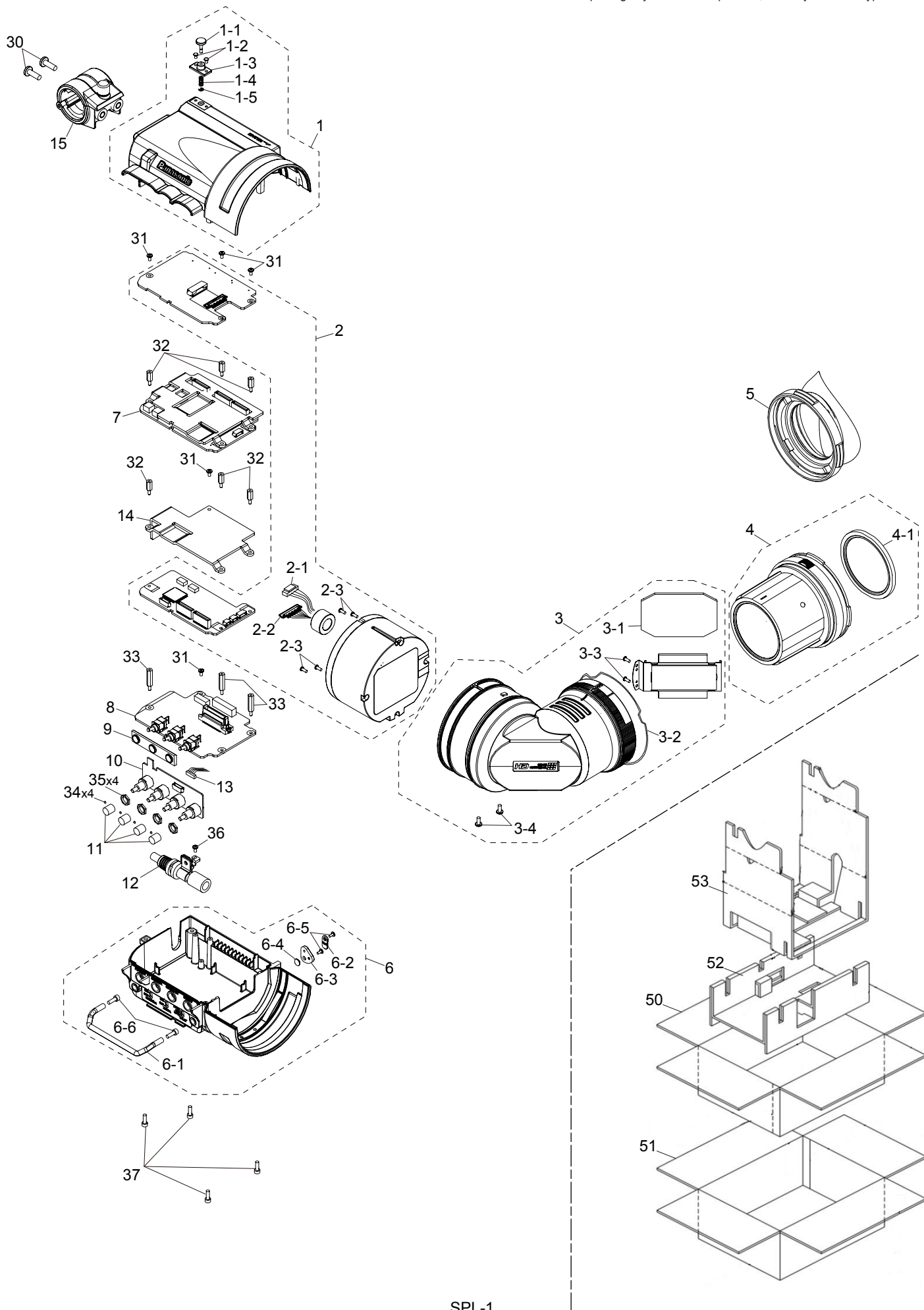
Model No. : AJ-CVF50G/MC

Note:

1. *Be sure to make your orders of replacement parts according to this list.
2. Unless otherwise specified, all resistors are in OHMS, K=1,000 OHMS, all capacitors are in MICROFARADS (μ F) P= μ μ F.
3. The P.C.Board unit marked with "■" shown below the main assembled parts.
4. The parts marked with ⊕ on the exploded view show the electric parts.
5. INPORTANT SAFETY NOTICE
Components identified with the mark \triangle have the special characteristics for safety When replacing any of these components, use only the same type.
6. The marking (RTL) indicates the retention time is limited for this item.
After the discontinuation of this assembly in production, it will no longer be available.
7. "M" in Remark column indicates needed in the periodical maintenance.

MAIN FRAME ASSEMBLY

Components identified with the mark  have the special characteristics for safety. When replacing any of these components, use only the same type.



MAIN FRAME ASSEMBLY & PACKING PARTS LIST

Ref. No.	Part No.	Part Name & Description	Pcs	Remark
1	1YF1AJCVF50Z	TOP CASE UNIT	1	
1-1	VMS8340	VF STOPPER PIN	1	
1-2	XQN2+B3FJK	SCREW	1	
1-3	VGQ7322	STOPPER PIN BASE	1	
1-4	VMB3791	STOPPER SPRING	1	
1-5	XUC15FP	E RING	1	
2	VEKOW28	LCD MODULE KIT	1	
2-1	VEE1S98	15P CABLE	1	
2-2	VEE1S97	40P CABLE	1	
2-3	XQN2+BJ5FJK	SCREW	4	
3	1YE1AJCVF50Z	OUTSIDE HOLDER UNIT	1	
3-1	VDL0963	MIRROR	1	
3-2	VMG1222	LENS BARREL PACKING	1	
3-3	XQN2+BJ5FJK	SCREW	2	
3-4	XTS26+6JFJ	SCREW	2	Silver screw for service
4	VYCO810	LENS SUB ASSY	1	
4-1	VDL0965	MC PROTECTOR	1	
5	VMG1773	EYE CUP	1	
6	2YF1AJCVF50Z	BOTTOM CASE UNIT	1	
6-1	VKH0389	GUARD BAR	1	
6-2	VGUOP45	TALLY LAMP COVER	1	
6-3	VGQ1L30	TALLY COVER BASE	1	
6-4	VGL1461	REAR TALLY PANELIGHT	1	
6-5	VHD2463	FLAT SCREW	2	
6-6	XVE26A8FP	HEX BOLT	2	
7	VEKOW30	SUB1 P. C. BOARD	1	
8	VEKOW31	POWER P. C. BOARD	1	
9	VMG1225	SW PACKING	1	
10	VEKOW32	SUB3 P. C. BOARD	1	
11	VGUOA66	VR KNOB ASSY	4	Include 34 HEX SCREW (XXEV2W3FP)
12	VEE1S96	VF CABLE ASSY	1	MAIN-SUB3
13	VEE1S99	8P CABLE	1	
14	VSC6593	HEAT SYNC 01	1	
15	VYC1146	MIC HOLDER UNIT	1	
30	XSB4+12FJK	SCREW	2	
31	XSB2+5FN	SCREW	5	
32	DVDF1047Z	SPACER	6	
33	DVDF1048Z	SPACER	3	
34	XXEV2W3FP	HEX SCREW	4	
35	VHD1884	VR NUT	4	
36	XSB3+5FJ	SCREW	1	
37	XVE26A8FP	HEX BOLT	4	
50	DVPD1034Z	PACKING CASE GJ IN	1	
51	DVPD1035Z	PACKING CASE GJ OUT	1	
50	DVPD1036Z	PACKING CASE MC IN	1	
51	DVPD1037Z	PACKING CASE MC OUT	1	
52	DVPN1096Z	PARTITION PAD A	1	
53	DVPN1097Z	PARTITION PAD B	1	