

SECTION 7

EXPLODED VIEWS & REPLACEMENT PARTS LIST

Model No. : AK-HC3800G/GS, AK-HC2500MC/MS

Note:

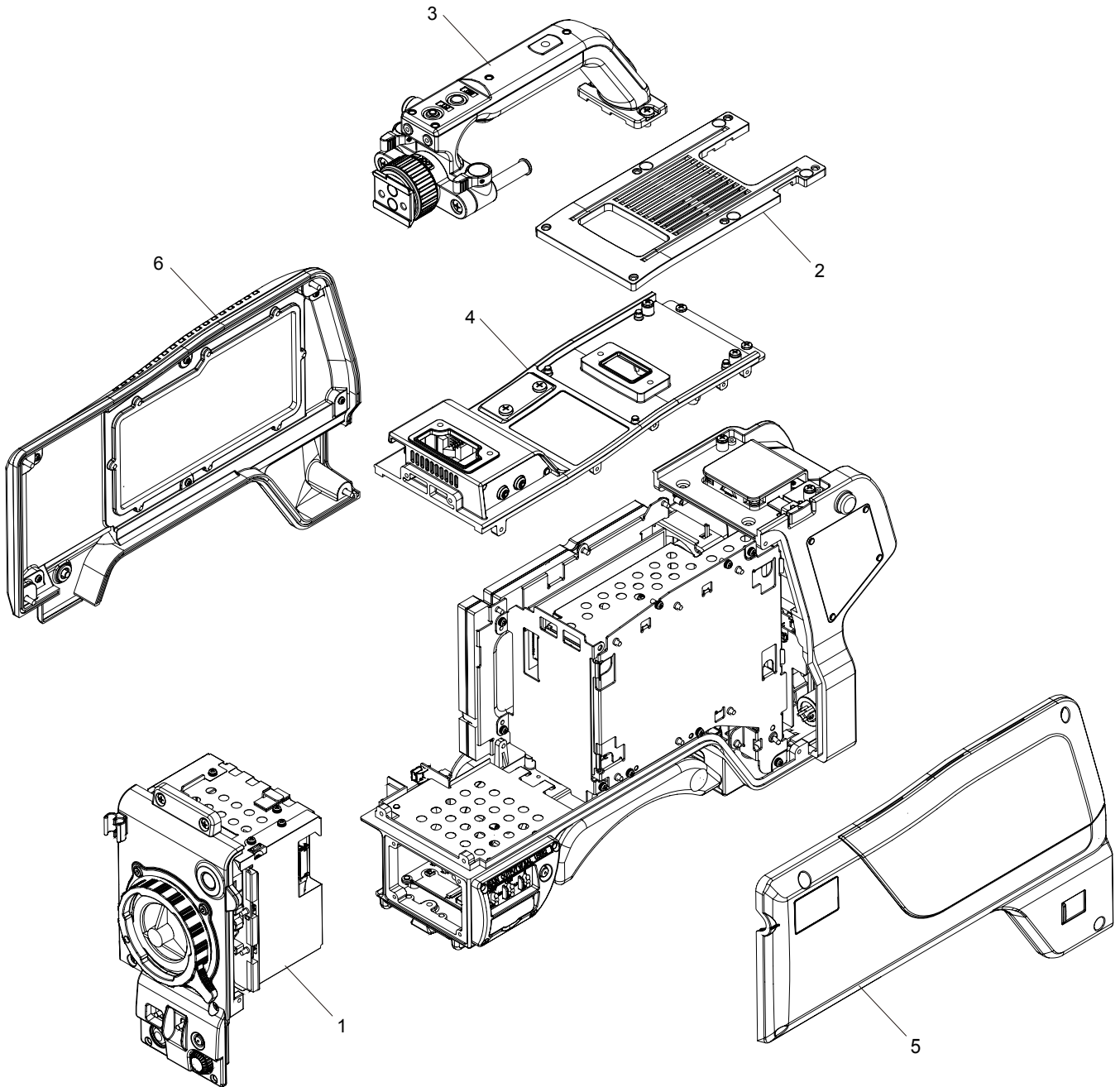
1. *Be sure to make your orders of replacement parts according to this list.
2. Unless otherwise specified, all resistors are in OHMS, K=1,000 OHMS, all capacitors are in MICROFARADS (μ F) P= μ μ F.
3. The P.C.Board unit marked with "■" shown below the main assembled parts.
4. The parts marked with ⊕ on the exploded view show the electric parts.
5. IMPORTANT SAFETY NOTICE
Components identified with the mark \triangle have the special characteristics for safety When replacing any of these components, use only the same type.
6. The marking (RTL) indicates the retention time is limited for this item.
After the discontinuation of this assembly in production, it will no longer be available.
7. "M" in Remark column indicates needed in the periodical maintenance.

À

À

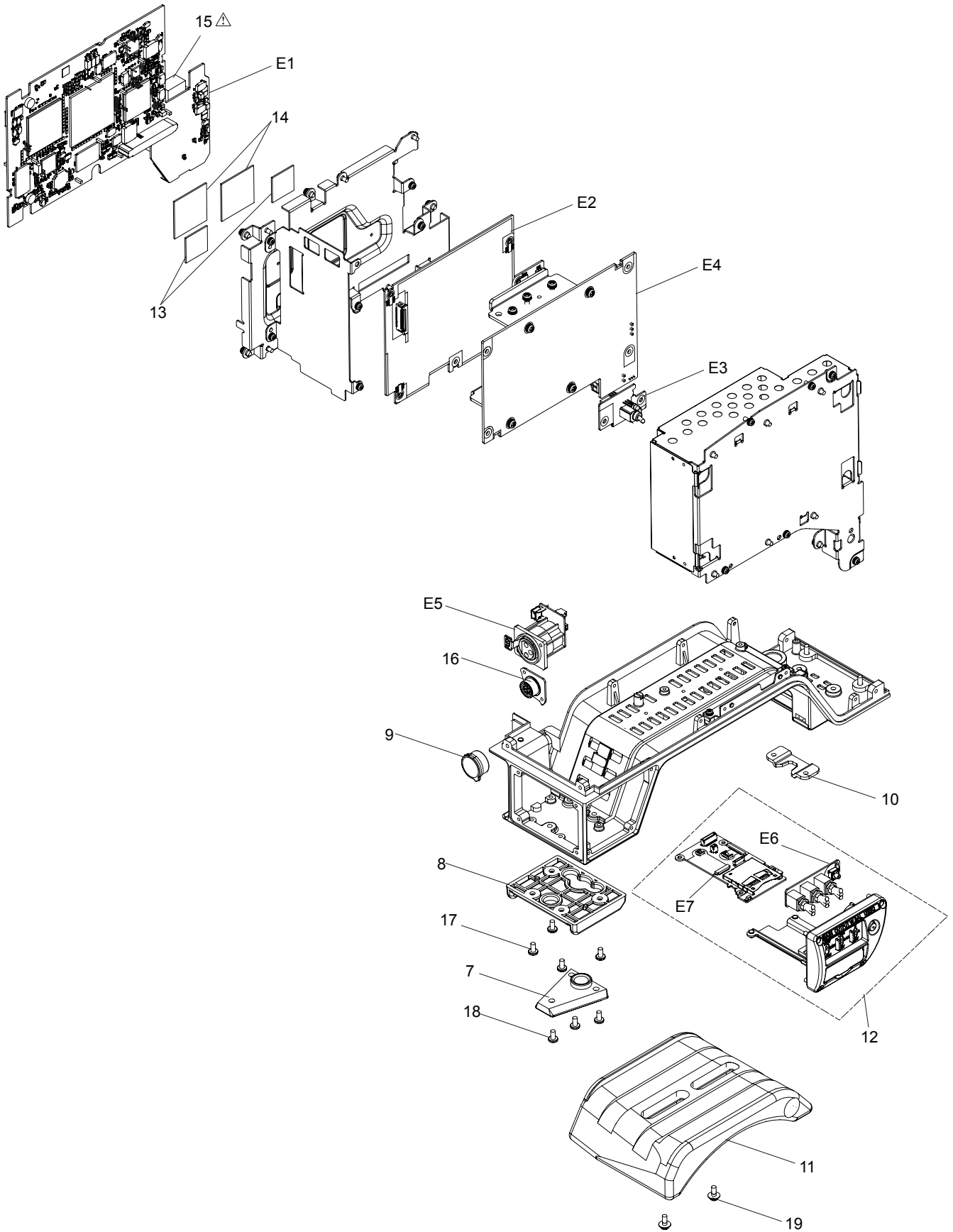
MAIN PARTS ASSEMBLY

Components identified with the mark \triangle have the special characteristics for safety. When replacing any of these components, use only the same type.



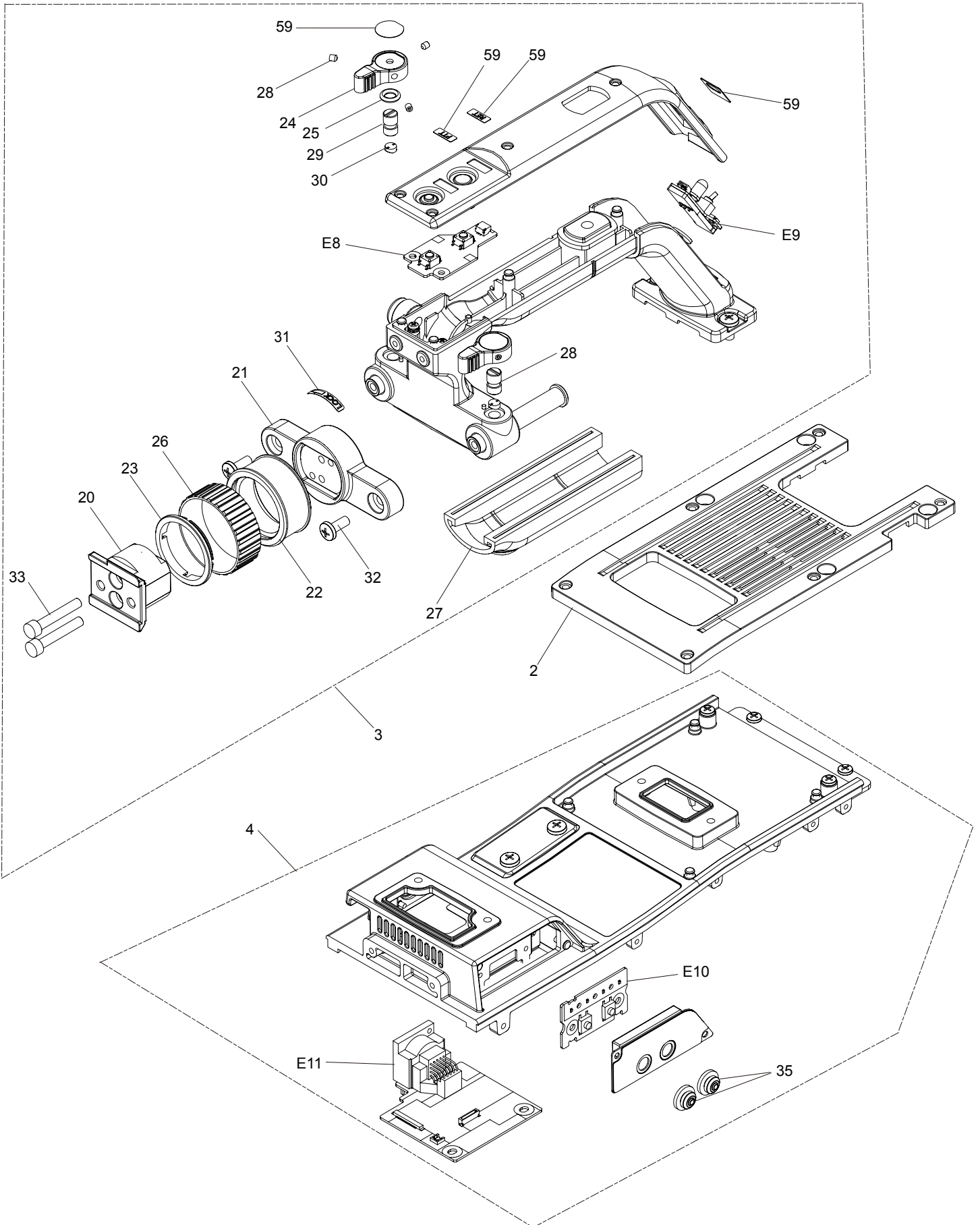
MAIN FRAME PARTS ASSEMBLY

Components identified with the mark \triangle have the special characteristics for safety. When replacing any of these components, use only the same type.



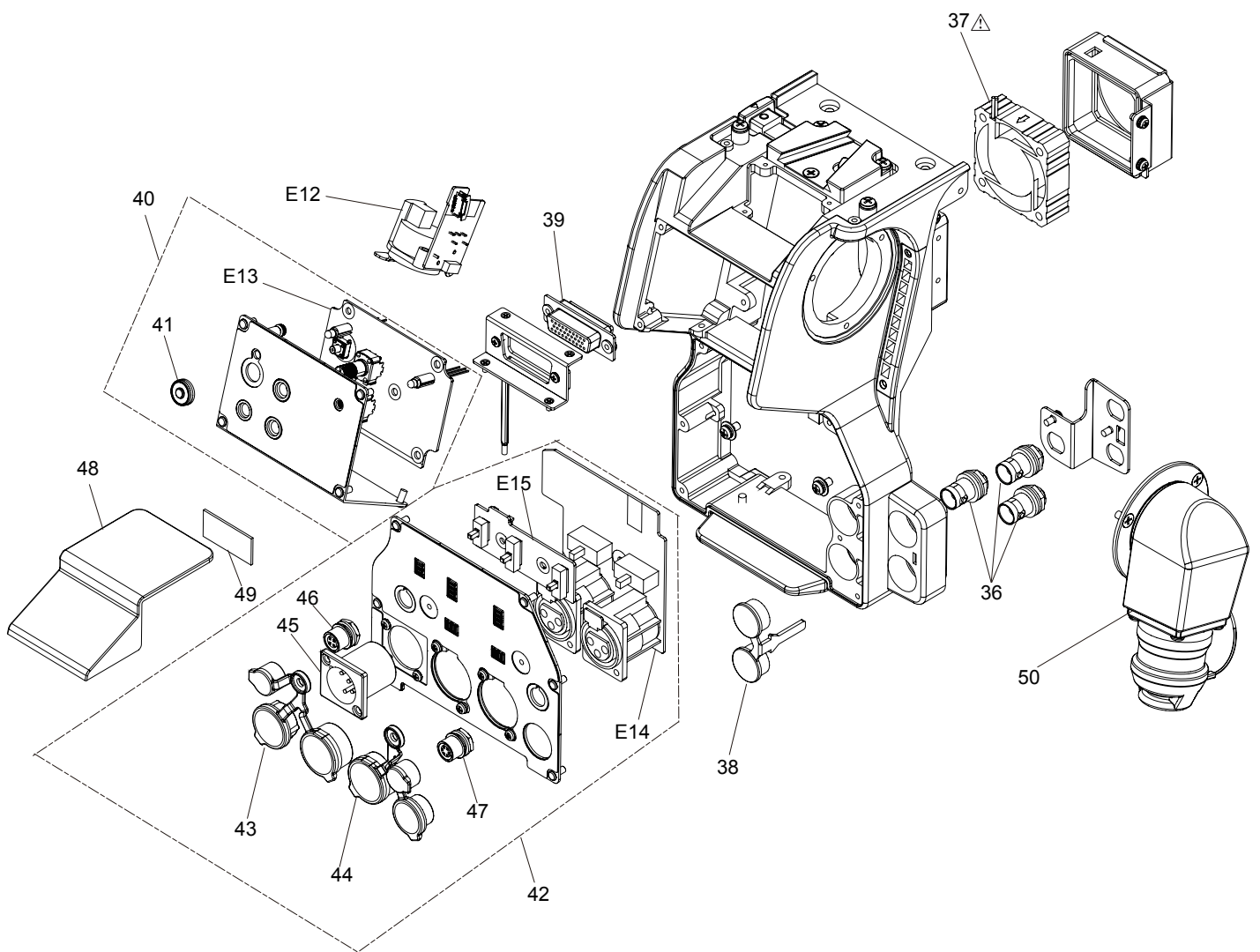
TOP PARTS ASSEMBLY

Components identified with the mark \triangle have the special characteristics for safety. When replacing any of these components, use only the same type.



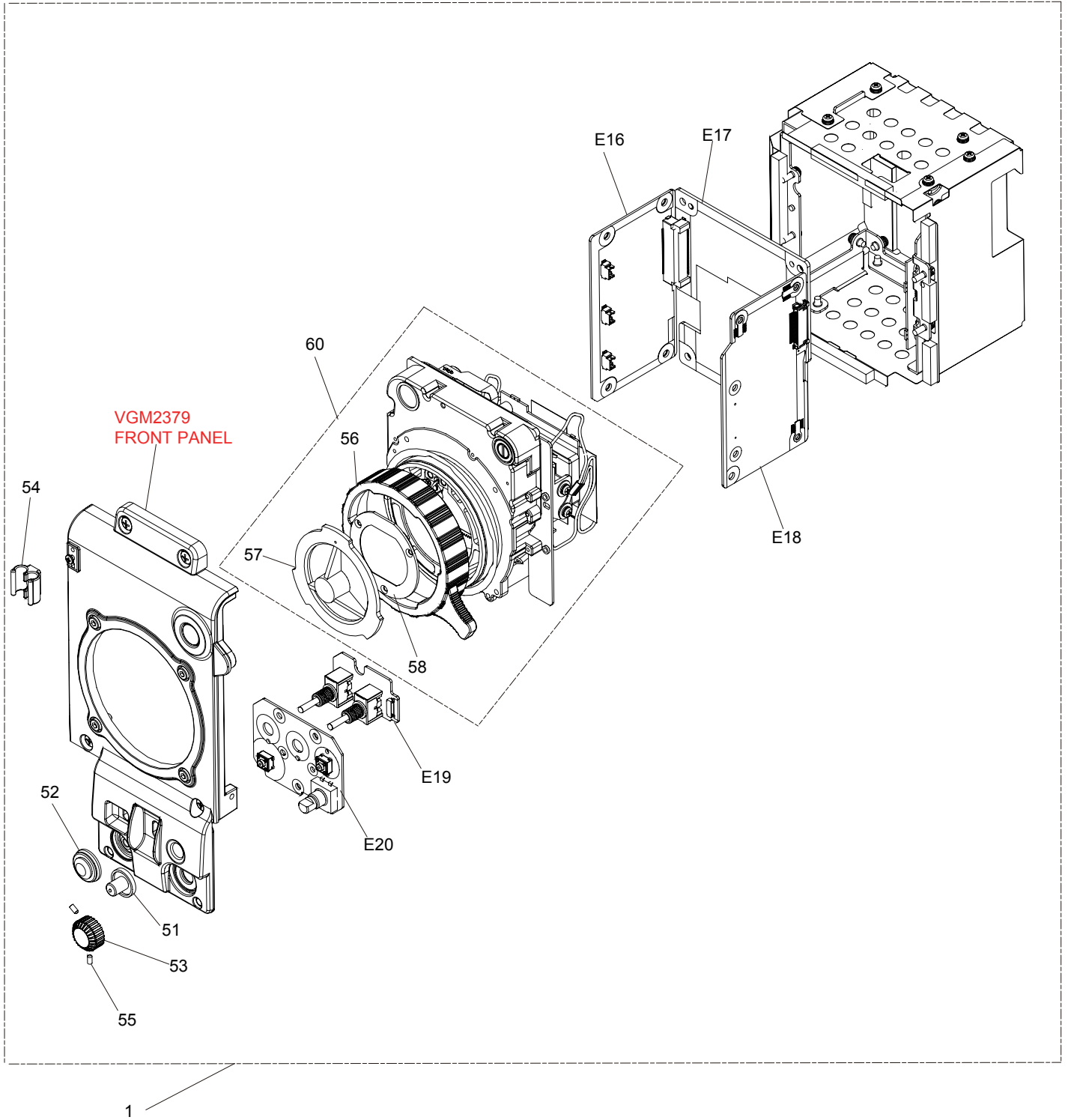
REAR PARTS ASSEMBLY

Components identified with the mark \triangle have the special characteristics for safety. When replacing any of these components, use only the same type.



CAMERA U PARTS ASSEMBLY

Components identified with the mark \triangle have the special characteristics for safety. When replacing any of these components, use only the same type.



CASING PARTS ASSEMBLY

Ref.No.	Part No.	Part Name & Description	Pcs	Remarks
1	VEQ4599-S	CAMERA U	1	
2	VKF5180	TOP COVER	1	
3	VYH0402	HANDLE U	1	
4	VYK6D24	TOP U	1	
5	VYP9371	SIDE R U	1	
6	VYP9372	SIDE L U	1	
7	VGM1826	FRONT V EDGE	1	
8	VKA0409	FRONT LEG BASE	1	
9	VMGB0053	XLR CAP (FEMALE)	1	
10	VMP8676	BACK LOCK BRACKET	1	
11	VMT1198	SHOULDER PAD	1	
12	VYK6D21	SIDE SW CASE U	1	
13	VGG0C10	COOLING SHEET	2	
14	VGG1L21	COOLING SHEET	2	
△	K7JCY00002	OPT MODULE	1	
16	VEE1M77	LENS CN CABLE	1	
17	XSB3+6FJK	SCREW	6	
18	XSB4+10FJK	SCREW	3	
19	XYN3+8FJ	SCREW	2	
20	VGM2300	VF BASE	1	
21	VGM2403	VF SLIDE BASE	1	
22	VGG7320	VF RING	1	
23	VGG7321	VF WASHER	1	
24	VGU9854	SHAFT LOCK	2	
25	VMG1547-A	O-RING	2	
26	VMG1548-A	RUBBER RING	1	
27	VMGB0050	HANDLE RUBBER	1	
28	VMS7409	SHAFT LOCK	1	
29	VMS7410	SHAFT LOCK 2	1	
30	VMX3337	VF LOCK KNOB SPACER	2	
31	VQL1P06	VF RING LOCK LABEL	1	
32	XSB4+10FJK	SCREW	2	
33	XVE4A25VW	HEXAGON SOCKET HEAD CAP SCREW	2	
34	XXE26D3FJK	SCREW	6	
35	VGU0B46	MENU BUTTON B	2	
36	K1SYYYA0002	COAXIAL CABLE ADAPTOR CONNECT	3	
△	L6FAHBAH0010	DC FAN MOTOR	1	
38	VMGB0049	BNC CAP (SDI)	1	
39	VEE1M88	REAR VF CN CABLE	1	
40	VEJ2334	INCOM SW U	1	
41	VMGB0046	RUBBER BUTTON	1	
42	VEJ2335	REAR JACK U	1	
43	VGG1J22	REAR JACK CAP A	1	
44	VGG1J23	REAR JACK CAP B	1	
45	VEE1M80	DC-IN CN CABLE	1	
46	VEE1M81	DC-OUT CN CABLE	1	
47	VEE1M86	RET-CONT CN CABLE	1	
48	VKF5181	D SUB COVER	1	
49	VMT2306	D SUB CUSHION	1	
50	VYK6D23	OPT CN CASE U	1	FOR AK-HC3800G/2500MC
50	VYK6E47	OPT CN CASE U	1	FOR AK-HC3800GS/2500MS
51	VGU6511	PUSH BUTTON	1	
52	VGU8346	RUBBER BUTTON	1	
53	VGU9861	MENU KNOB	1	
54	VJF1256	CABLE CLAMPER	1	
55	XXE2D4FJK	STOPPER BOLT	2	
56	VDW2590	LENS-MOUNTRING	1	
57	VKF4294	MOUNT CAP	1	
58	VXQ2324	O.L.P.F.U	1	
59	VQL2V63	NAME PLATE	1	
60	VYQ8115	OPTICAL U	1	

CABLE PARTS LIST

Ref.No.	Part No.	Part Name & Description	Pcs	Remarks
	VEE1M82	POWER SW-POWER DCDC CABLE	1	
	VEE1M83	POWER-POWER DCDC CABLE	1	
	VEE1M75	FRONT MIC-SD CARD CABLE	1	
	VEE1M95	SD CARD-MAIN CABLE	1	
	VEE1M74	MENU SW-SD CARD CABLE	1	
	VEE1M76	FRONT MIC-MAIN CABLE	1	
	VEE1M78	TOGGLE SW-SD CARD CABLE	1	
	VEE1M79	SD CARD-MAIN SMALL GAUGE COAXIAL CA	1	
	VEE1M89	HANDLE SW-HANDLE TALLY CABLE	1	
	VEE1M90	HANDLE TALLY-MAIN CABLE	1	
	VEE1M79	EVF CN-MAIN SMALL GAUGE COAXIAL CAB	1	
	VEE1M91	ND POS-EVF CN CABLE	1	
	VEE1M93	EVF CN-MAIN CABLE	1	
	VEE1M87	REAR JACK-MAIN SMALL GAUGE COAXIAL	1	
	VWJ16G8090L1	POWER DCDC-DRIVE FFC	1	
	VWJ10J3040L0	INCOM-INCOM SW FFC	1	
	VWJ24J3075L0	INCOM SW-REAR JACK FFC	1	
	VWJ10J3030L0	REAR SW-REAR JACK FFC	1	

PACKING PARTS LIST

Ref.No.	Part No.	Part Name & Description	Pcs	Remarks
△	VQT4011	OPERATING INSTRUCTIONS	1	FOR AK-HC3800G/GS
△	VQT4012	OPERATING INSTRUCTIONS	1	FOR AK-HC2500MC/MS
△	VYQ8185	CD-R (0/1)	1	
	VQLB0263	CAMERA NO. SHEET	1	
	VPF1179	SET BAG	1	
	VPG3K67	PACKING CASE	1	FOR AK-HC3800G/GS
	VPG3K69	PACKING CASE (IN)	1	FOR AK-HC2500MC/MS
	VPG3K70	PACKING CASE (OUT)	1	FOR AK-HC2500MC/MS
	VPN7529	CUSHION TOP	1	
	VPN7530	CUSHION BOTTOM	1	

ELECTRICAL REPLACEMENT PARTS LIST

Ref.No.	Part No.	Part Name & Description	Pcs	Remarks	Ref.No.	Part No.	Part Name & Description	Pcs	Remarks
■ E1	VEP23715A	MAIN P. C. BOARD	1		△ ■ E2	VEP81290A	POWER DCDC P. C. BOARD	1	
△ ■ E2	VEP81290A	POWER DCDC P. C. BOARD	1		△ F8001	K5H632300002	FUSE	1	
■ E3	VEP20E18A	POWER SW P. C. BOARD	1		△ F8002	K5H103300003	FUSE	1	
△ ■ E4	VEP81289A	POWER P. C. BOARD U	1		△ F8003	K5H183AA0013	FUSE	1	
■ E5	VEP24199A	FRONT MIC P. C. BOARD	1		△ F8005	K5H502300006	FUSE	1	
■ E6	VEP20E10A	TOGGLE SW P. C. BOARD	1		△ F8601	K5H632300002	FUSE	1	
■ E7	VEP20E11A	SD CARD P. C. BOARD	1		△ PA8001	K5H2012A0007	FUSE	1	
■ E8	VEP20E12A	HANDLE SW P. C. BOARD	1		△ PA8002	K5H2012A0007	FUSE	1	
■ E9	VEP20E13A	HANDLE TALLY P. C. BOARD	1		△ ■ E4	VEP81289A	POWER P. C. BOARD U	1	
■ E10	VEP20E14A	ND POS P. C. BOARD	1		△ C9001	ECQU2A224ML	P. CAPACITOR 100V 0.22U	1	
■ E11	VEP20E15A	EVF CN P. C. BOARD	1		△ C9005	F1BAH4710001	C. CAPACITOR 470P	1	
■ E12	VEP24202A	INCOM P. C. BOARD	1		△ C9006	F1BAH4710001	C. CAPACITOR 470P	1	
■ E13	VEP24203A	INCOM SW P. C. BOARD	1		△ C9008	ECQU2A334ML	P. CAPACITOR 100V 0.33U	1	
■ E14	VEP24200A	REAR JACK P. C. BOARD	1		△ C9030	ECQE6473KF	P. CAPACITOR 0.047U	1	
■ E15	VEP24201A	REAR SW P. C. BOARD	1		△ C9034	F1BAH1020001	C. CAPACITOR 1000P	1	
■ E16	VEP22451A	PREAMP P. C. BOARD	1		△ CF9001	D4DDB3310004	THERMISTOR	1	
■ E17	VEP22452A	PULSE AD P. C. BOARD	1		△ F9001	K5D252BNA005	FUSE	1	
■ E18	VEP23717A	DRIVE P. C. BOARD	1		△ F9002	K5D252BNA005	FUSE	1	
■ E19	VEP20E08A	FRONT SW P. C. BOARD	1		△ LF9001	G0B302H00017	COIL 3MUH	1	
■ E20	VEP20E09A	MENU SW P. C. BOARD	1		△ LF9003	G0B302H00017	COIL 3MUH	1	
					△ PC9001	B3PAA0000308	PHOTO ISOLATION	1	
					△ PC9002	B3PAA0000308	PHOTO ISOLATION	1	
					△ R9003	ERG2SJ104P	M. RESISTOR 2W 100K	1	
					△ T9001	G4DYA0000445	TRANSFORMER	1	
					■ E14	VEP24200A	REAR JACK P. C. BOARD	1	
					△ PA7600	K5H501YA0055	FUSE	1	
					△ PA7700	K5H501YA0055	FUSE	1	