

# SECTION 7

---

---

## EXPLODED VIEWS & REPLACEMENT PARTS LIST

Model No. : **AK-UC3000/S/G/GS/MC/MS**

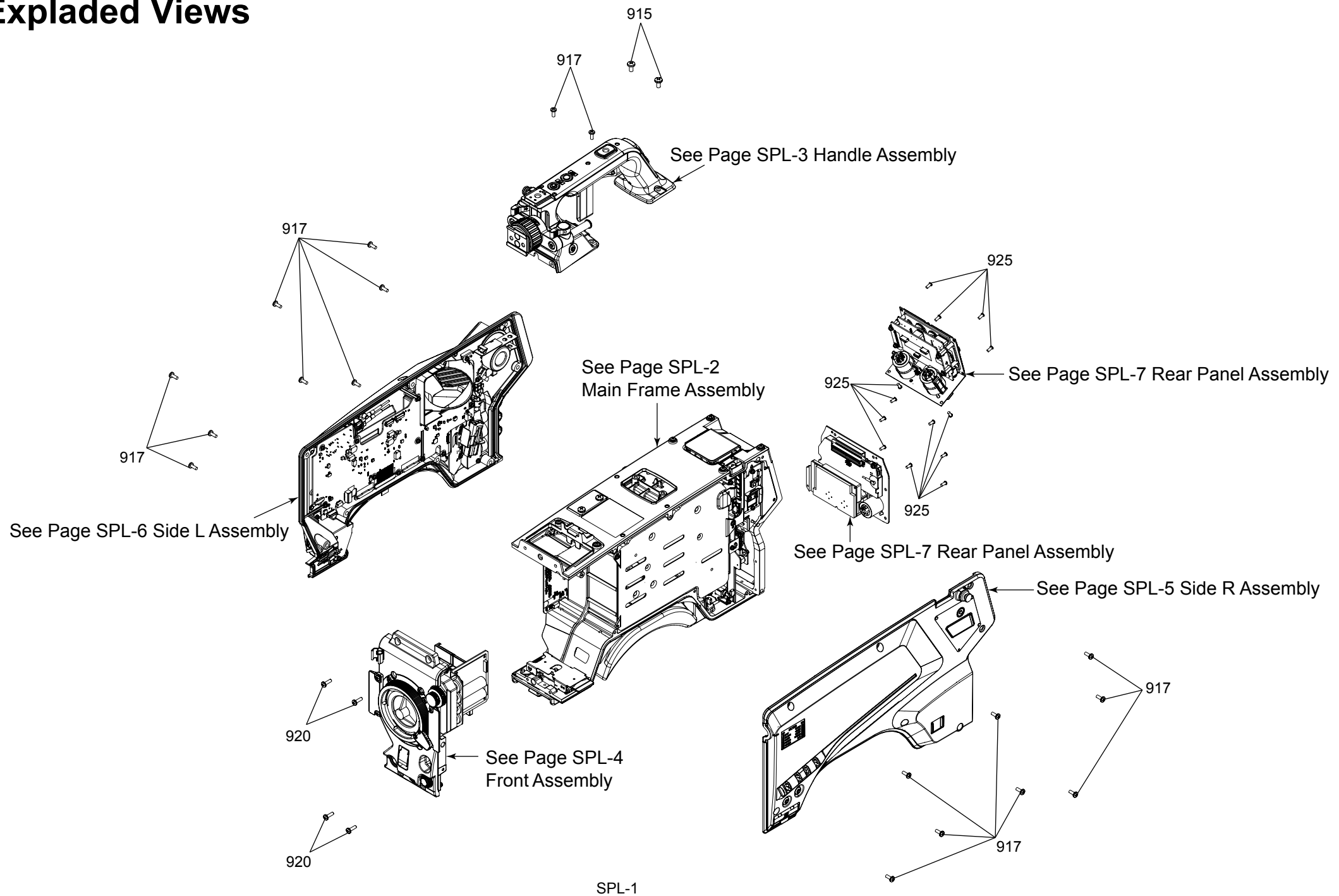
---

---

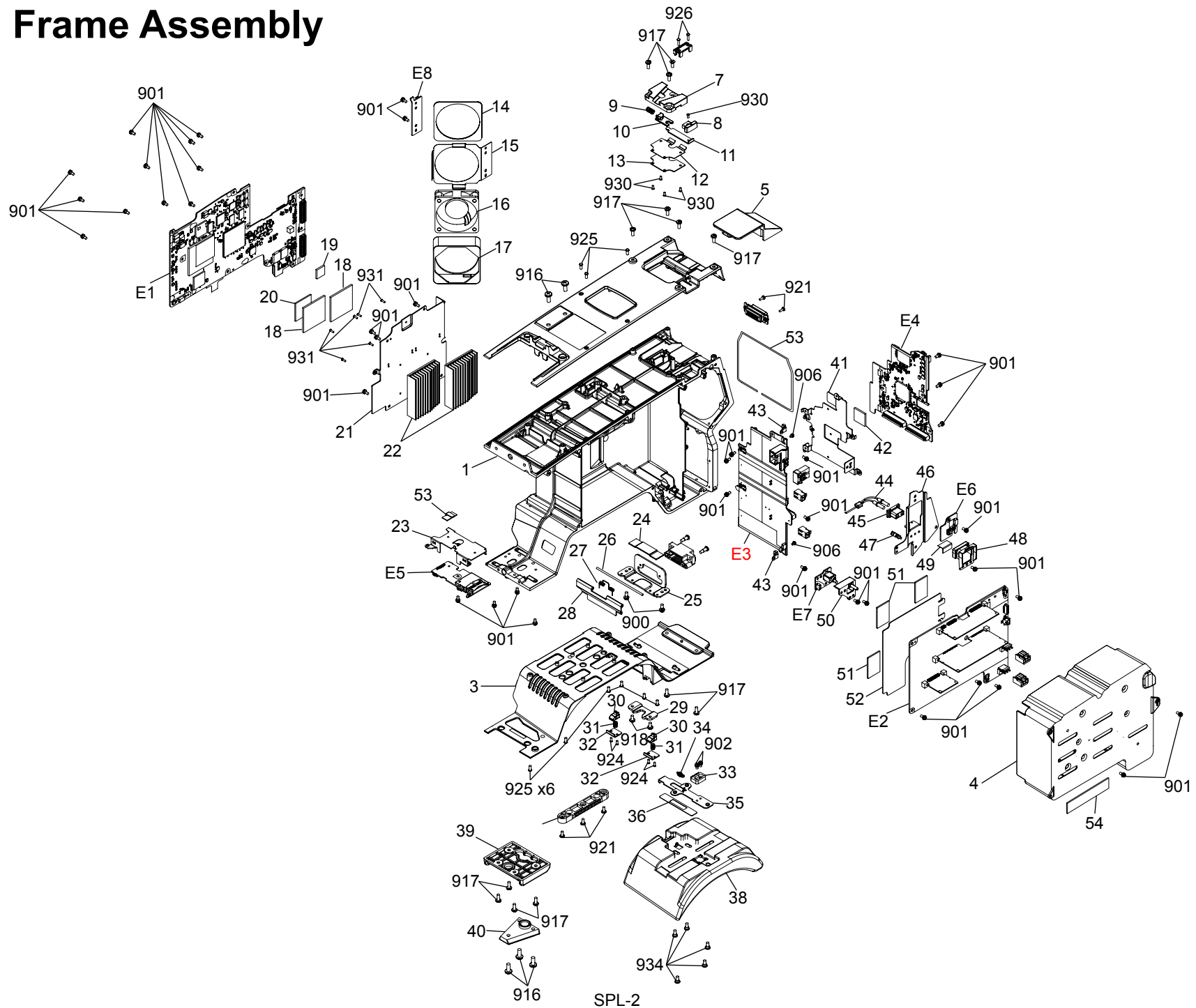
Note:

1. \*Be sure to make your orders of replacement parts according to this list.
2. Unless otherwise specified, all resistors are in OHMS, K=1,000 OHMS, all capacitors are in MICROFARADS ( $\mu$ F) P= $\mu\mu$ F.
3. The P.C.Board unit marked with "■" shown below the main assembled parts.
4. The parts marked with  $\text{\textcircled{E}}$  on the exploded view show the electric parts.
5. IMPORTANT SAFETY NOTICE  
Components identified with the mark  $\triangle$  have the special characteristics for safety When replacing any of these components, use only the same type.
6. The marking (RTL) indicates the retention time is limited for this item.  
After the discontinuation of this assembly in production, it will no longer be available.
7. "M" in Remark column indicates needed in the periodical maintenance.

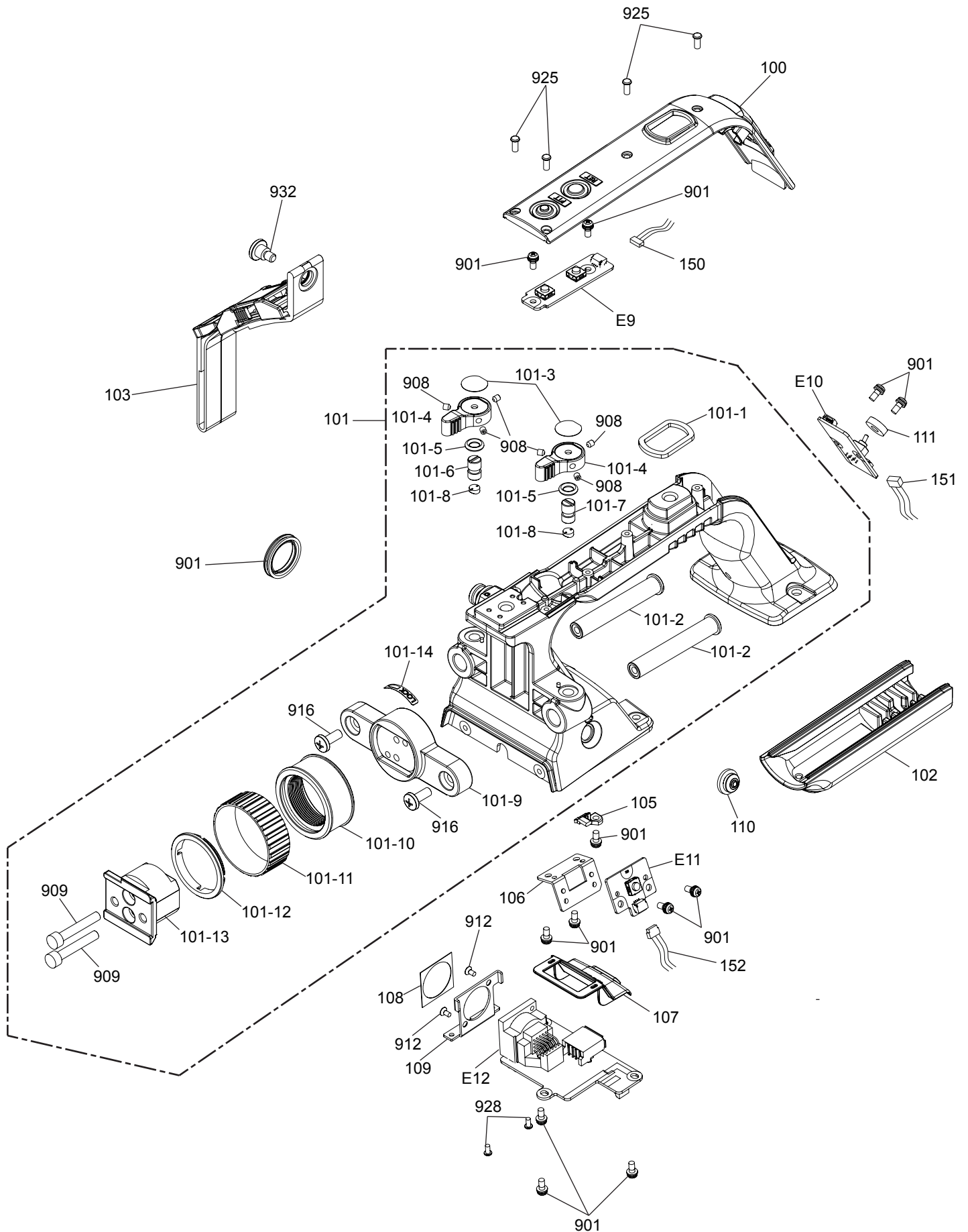
# Exploded Views



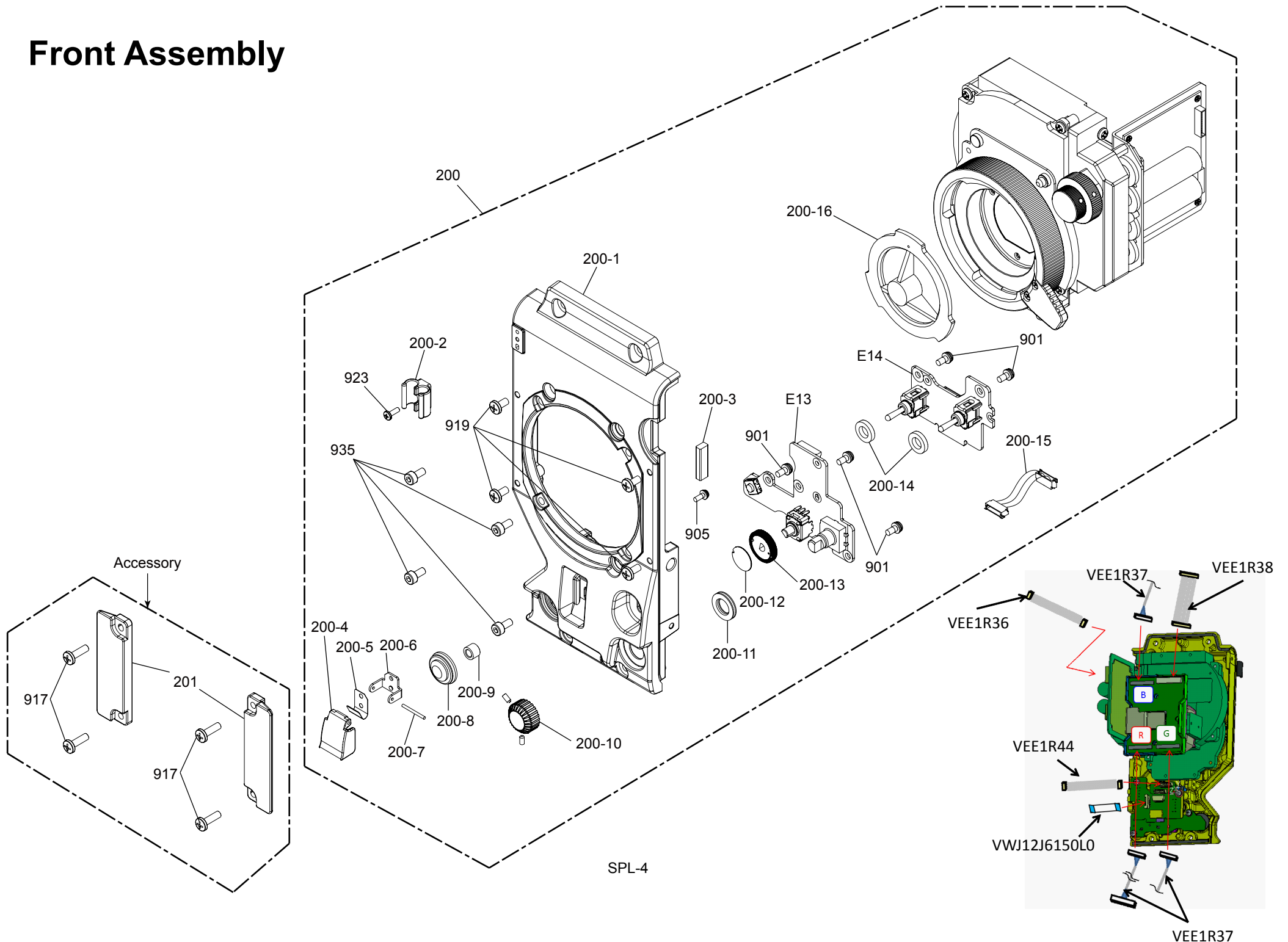
# Main Frame Assembly



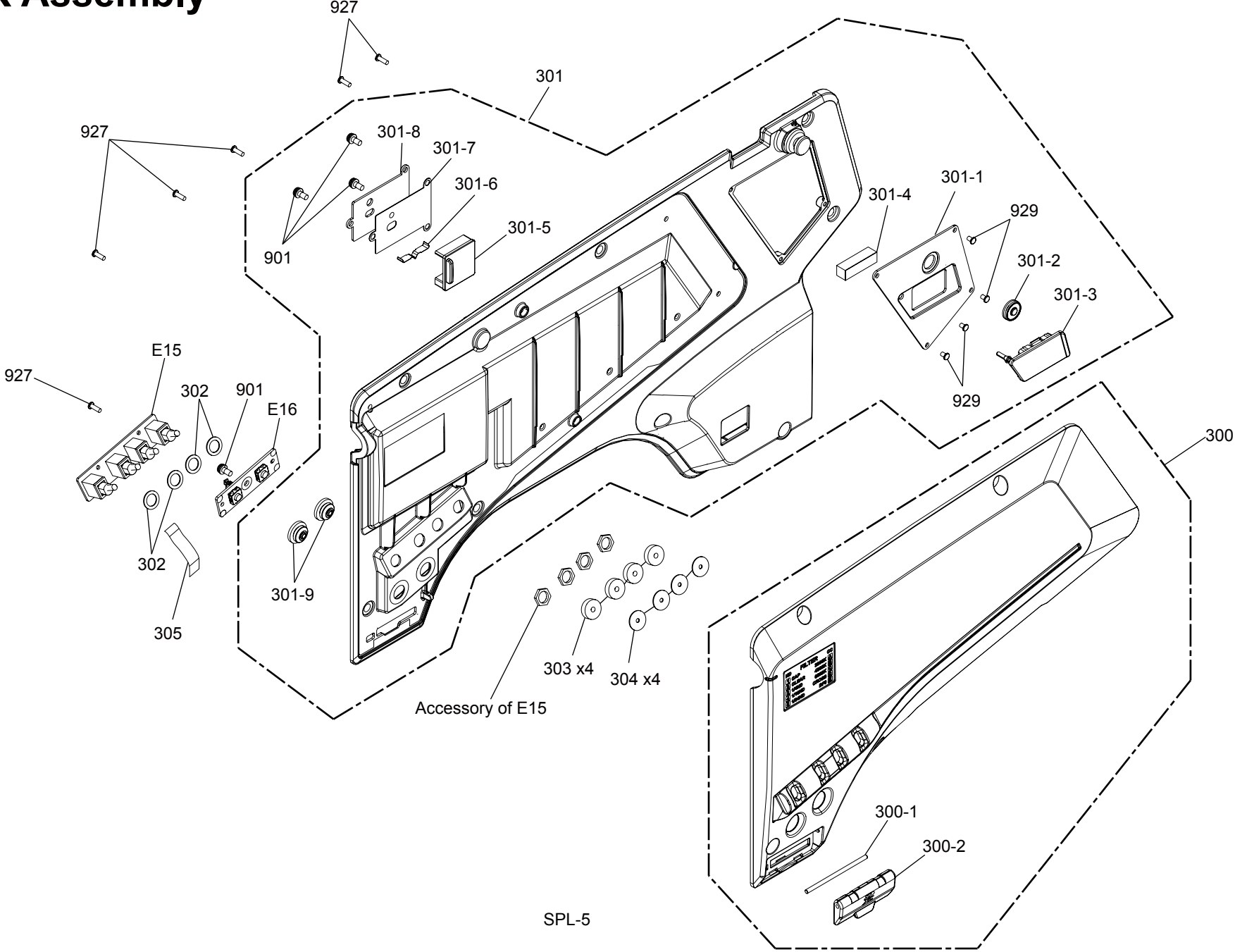
# Handle Assembly



# Front Assembly

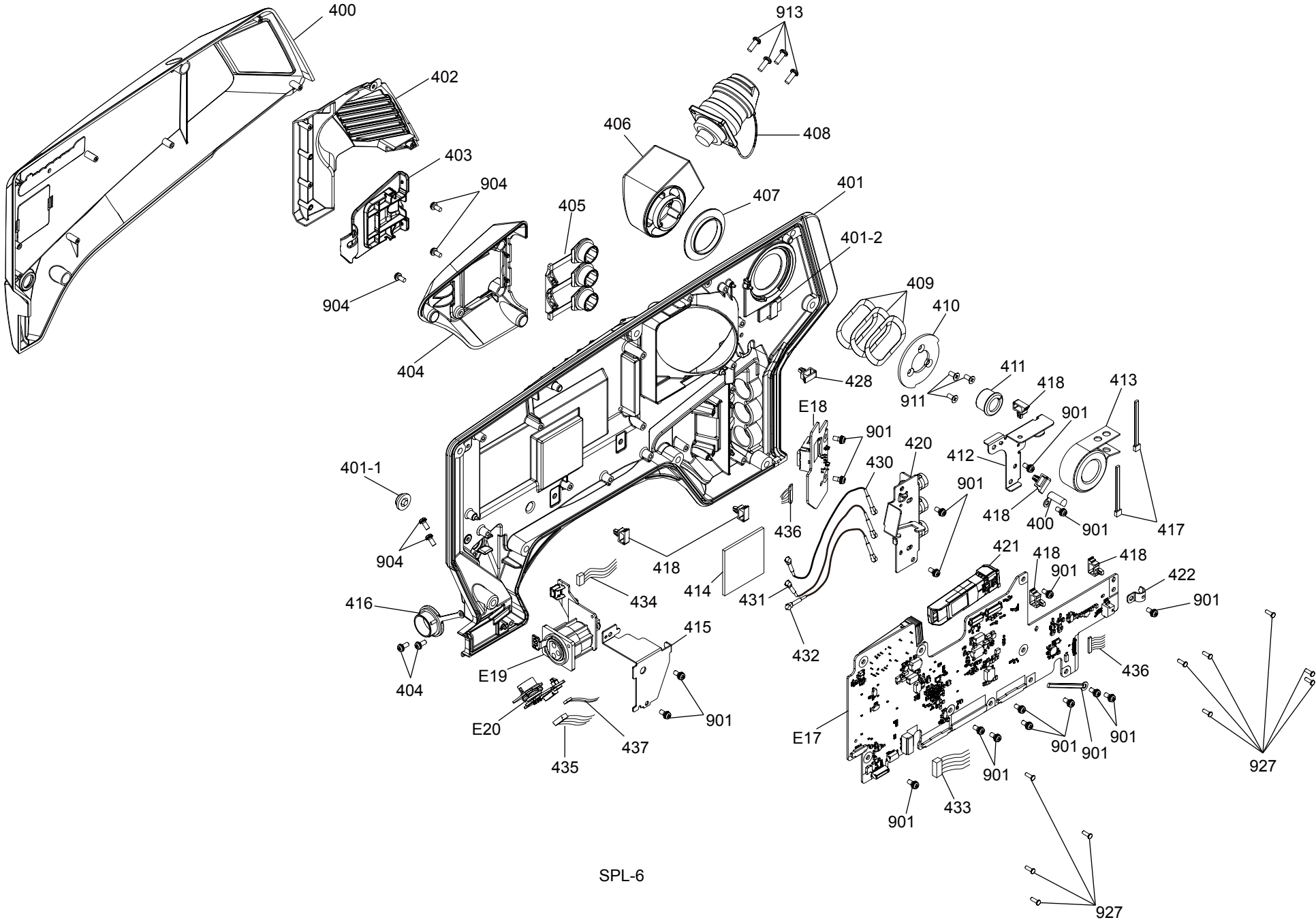


# Side R Assembly



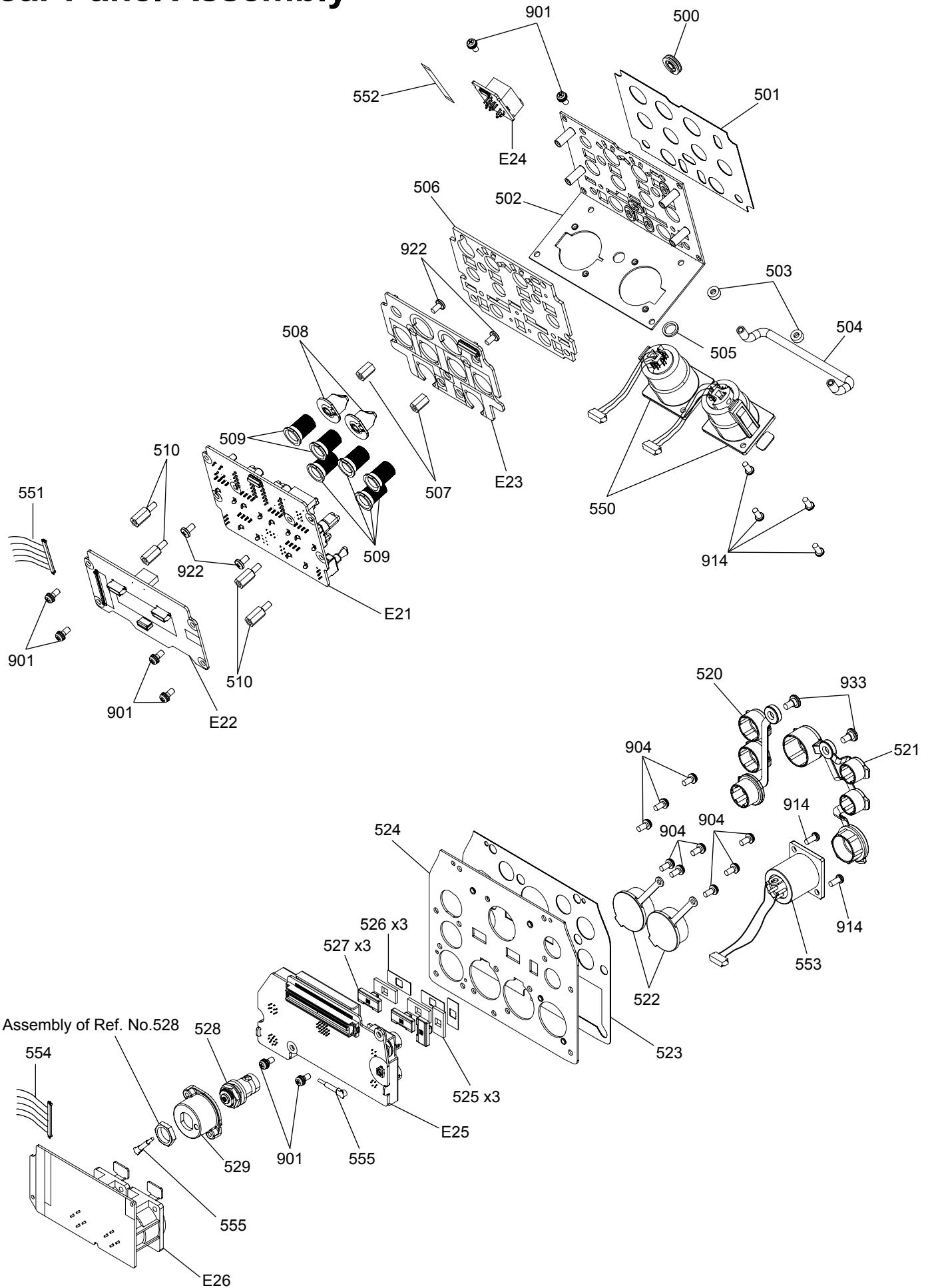
SPL-5

# Side L Assembly



SPL-6

# Rear Panel Assembly





# MAIN FRAME ASSEMBLY LIST 1

Ref. No.	Part No.	Part Name & Description	Pcs	Remark
△ 1	VGM2560	MAIN FRAME	1	
3	VKF5310	BOTTOM COVER	1	
△ 4	VGf1207	POWER COVER	1	
5	VYK6Q69	VF CONNECTOR COVER	1	
6	VGK4274	VF KNOB COVER	1	
7	VMD4892	VF V EDGE GUIDE	1	
8	VGU9447	VF LOCK RELEASE KNOB	1	
9	VMB4653	VF V EDGE LOCK SPRING	1	
10	VMD4893	VF V EDGE LOCK	1	
11	VMPOE65	VF LOCK RELEASE LEVER	1	
12	VKF5312	VF V EDGE COVER	1	
13	VMPOM49	VF V EDGE PLATE	1	
14	VMT2475	FAN SEALS	1	
15	VMPOL44	FAN SUPPORT	1	
16	L6FAYYYH0350	DC FAN MOTORS	1	
17	VMG2181	FAN DUNPER	1	
18	VMT2201	COOL PROVIDE 38X38X2	2	
19	VGQOH74	COOLING SHEET 13X13X2	1	
21	VSC6570	MAIN HEAT SINK	1	
22	SJD0033	HEAT SINK-R	2	
23	VMPOL43	SD ANGLE	1	
24	VMZ3981	BU CN BARRIER	1	
25	VMPOL42	BU CN ANGLE	1	
26	VMS8490	PROTECT SHAFT	1	
27	VMB4847	PROTECT SP	1	
28	VGQ1V03	PROTECT COVER	1	
29	VMP8676	BACK LOCK ANGLE	1	
30	VML4061	PROTECT COVER LOCK TAB	2	
31	VMBB0020	LOCK SPRING	2	
32	VMPOE53	LOCK COVER PLATE	2	
33	VGQB0144	SLIDE GEAR A	1	
34	VMB4848	SLIDER SPRING	1	
35	VML4058	SLIDER LEVER	1	
36	VMX4086	SILDER	1	
37	VGQB0145	SLIDE GEAR B	1	
38	VMT2474	SHOLDER PAD	1	
39	VKA0409	FRONT LEG BASE	1	
40	VGM1826	FRONT V EDGE	1	
41	VMPOL45	REAR PB ANGLE	1	
42	VGQ9610	COOLING SHEET 18X18	1	
43	VMPOD98	POWER PB ANGLE	2	
44	VEKOV90	ANTON WIRE UNIT	1	
45	VMX3862	PT HOUSING	1	
46	VMPOL46	ANTON CN ANGLE	1	
47	VJF1613	LOCKING WIRE SADDLE	1	
48	VMD7180	ANTON CN HOLDER	1	
49	VMT2498	ANTON SHEET	1	
50	VGL1499	POWER PANEL LIGHT	1	
51	VGQQQ35	COOLING SHEET C	3	
△ 52	VMZ3984	POWER INSULATION A	1	
53	VMG0832	SHIELD TUBE	1	
53	VJF1587	CABLE CLIP	1	
△ 54	VQL4837	SERVICE CAUTION LABEL	1	





## FRONT ASSEMBLY LIST

Ref. No.	Part No.	Part Name & Description	Pcs	Remark
200	VYK6V00	FRONT UNIT	1	For AK-UC3000G/GS/MC/MS
200	VYK6V15	FRONT UNIT	1	For AK-UC3000/S
200-1	VYK6V01	FRONT CASE 1 UNIT	1	
200-2	VJF1256	CABLE CLAMPER	1	
200-3	VMTB0055	SHEILD FORM	1	
200-4	VKF2485	FRONT DOOR	1	
200-5	VMC1210	FRONT DOOR PLATE SPRING	1	
200-6	VMP4850	FRONT DOOR MOUNT BRACKET	1	
200-7	VMS4088	SOFT BRAKE PIN	1	
200-8	VGU8346	RUBBER BUTTON	1	
200-9	VMX3299	RUBBER BUTTON SPACER	1	
200-10	VGU9861	NEMU SWITCH	1	
200-11	VMG1317-A	MENU WATERPROOF RUBBER	1	
200-12	VGH5432	VR NAME PLATE	1	
200-13	VGU9303	VR KNOB	1	
200-14	VMT2476	WP CUSHION	2	
200-15	VEE1R45	FRONT SW-FRONT OP WIRE UNIT	1	
200-16	VKF4294	MOUNT CAP	1	
201	VGQB0141	CAMERA HANGER	2	Accessory
E13	VEP20F15A	FRONT_SW P. C. BOARD	1	
E14	VEP20F18A	CAM_OP P. C. BOARD	1	

## SIDE R ASSEMBLY LIST

Ref. No.	Part No.	Part Name & Description	Pcs	Remark
300	VYK6V10	FACE PAD UNIT	1	For AK-UC3000G/GS/MC/MS
300	VYK6V18	FACE PAD UNIT	1	For AK-UC3000/S
300-1	VMS8488	SD DOOR PIN	1	
300-2	VMG2185	SD CARD DOOR	1	
△ 301	VYK6V09	SIDE CASE R UNIT	1	
301-1	VGM2569	BLANK PANEL	1	
301-2	VMG2188	RUBBER BUTTON B	1	
301-3	VMG2184	ANTON CAP	1	
301-4	VMT2489	ANTON CUSHION	1	
301-5	VKF3647	POWER SW DOOR	1	
301-6	VMC2230	POWER SW SPRING	1	
301-7	VGH5435	POWER SW SHEET	1	
301-8	VGMB0107	POWER SW PANEL	1	
301-9	VMG2189	RUBBER BUTTON A	2	
302	VMX4092	WASHER	4	
303	VMT0738	TOGGLE CUSHION	4	
304	VMT2289	TOGGLE SW WP RUBBER	4	
305	VWJ10J6040L0	FFC	1	
E15	VEP20F19A	TOGGLE SW P. C. BOARD	1	
E16	VEP20F16A	MENU SW P. C. BOARD	1	







# ELECTRICAL REPLACEMENT PARTS LIST

Ref. No.	Part No.	Part Name & Description	Pcs	Remark
E1	VEP23738A-S	MAIN P. C. BOARD	1	
E2	VEP81300A	POWER P. C. BOARD	1	
E3	VEP81301A	REG P. C. BOARD	1	
E4	VEP24217B-S	AUDIO P. C. BOARD	1	
E5	VEP20F10A	SD CARD P. C. BOARD	1	
E6	VEP20F27A	R SIDE P. C. BOARD	1	
E7	VEP20F20A	POWER SW P. C. BOARD	1	
E8	VEP20F28A	FAN CN P. C. BOARD	1	
E9	VEP20F13A	HANDLE SW P. C. BOARD	1	
E10	VEP20F14A	HANDLE TALLY P. C. BOARD	1	
E11	VEP20F26A	ND OP P. C. BOARD	1	
E12	VEP20F12A	EVF CN P. C. BOARD	1	
E13	VEP20F15A	FRONT SW P. C. BOARD	1	
E14	VEP20F18A	CAM OP P. C. BOARD	1	
E15	VEP20F19A	TOGGLE SW P. C. BOARD	1	
E16	VEP20F16A	MENU SW P. C. BOARD	1	
E17	VEP23736A-S	L SIDE P. C. BOARD	1	For AK-UC3000/S/G/GS
E17	VEP23736B-S	L SIDE P. C. BOARD	1	For AK-UC3000MC/MS
E18	VEP20F11A	IT CN P. C. BOARD	1	
E19	VEP20F08A	FRONT MIC P. C. BOARD	1	
E20	VEP20F09A	LENS CN P. C. BOARD	1	
E21	VEP20F21A	INCOM OP P. C. BOARD	1	
E22	VEP24216A	INCOM P. C. BOARD	1	
E23	VEP20F22A	INCOM BL P. C. BOARD	1	
E24	VEP20F23A	HP JACK P. C. BOARD	1	
E25	VEP20F25A	REAR JACK P. C. BOARD	1	
E26	VEP24215A	XLR JACK P. C. BOARD	1	For AK-UC3000G/GS/MC/MS
E26	VEP24215B	XLR JACK P. C. BOARD	1	For AK-UC3000/S
▲ ■ E2	VEP81300A	POWER P. C. BOARD	1	
▲				
▲ C1200	ECQU2A474ML	PLASTIC CAPACITOR	1	
▲ C1201	ECQU2A334ML	PLASTIC CAPACITOR	1	
▲ C1202-5	F1LAF471A005	C. CAPACITOR 470p	4	
▲ C1404, 1410	F1LAF1020004	C. CAPACITOR 1000p	2	
▲ R1200	DOBF155JA044	DISCHARGE PATH RESISTOR	1	
▲ LF1201	GOB692H00001	TAKRON COIL	1	
▲ T1401	G4DYA0000793	TRANSFORMER	1	
▲ T1501	G4DYA0000794	TRANSFORMER	1	
▲ RL1201	K6B2AGA00038	LA RELAY 5A TYPE	1	
▲ F1211	K5G632Y00006	FUSE 6.3A	1	
▲ F1411	K5H202YA0121	FUSE 2A	1	
▲ F1511	K5H252YA0121	FUSE 2.5A	1	
▲ PC1901-3	B3PBA0000836	PHOTOCOUPLER	3	
PC1601-2	B3PBA0000836	PHOTOCOUPLER	2	
PC1701-4	B3PBA0000836	PHOTOCOUPLER	4	
	VEE1R63	POWER CABLE	1	
▲ ■ E3	VEP81301A	REG P. C. BOARD	1	
▲				
▲ F1402	K5H153AA0013	FUSE 15A	1	
▲ PA1201	K5H1621A0004	FUSE 1.6A	1	
▲ F1401	K5H183AA0013	FUSE 18A	1	
PA1402, 1501	K5H2012A0007	FUSE 0.2A	2	
F1501	K5H202300011	FUSE 2A	1	
▲				
■ E13	VEP20F15A	FRONT SW P. C. BOARD	1	
ETC1	ML-614S/ZTK	BATTERY	1	