

Zoom Lens

This zoom lens is designed for use with Panasonic's applicable projectors.

*\*Please use the lens only on the specified Panasonic projector.*

**Specifications** (Specifications subject to change without notice.)

F value	1.82 - 2.53	
Focal distance (f)	46.00 mm - 90.50 mm [1 13/16 - 3 9/16 inches]	
Throw ratio	2.10 - 4.14:1 (16:10 aspect ratio) 2.10 - 4.15:1 (16:9 aspect ratio) 2.50 - 4.97:1 (4:3 aspect ratio)	
Dimensions	Width	173mm [6 13/16 inches]
	Height	130 mm [5 1/8 inches]
	Depth	327 mm [12 7/8 inches]
Weight	4.55 kg (10.03 lbs)	
Applicable projector	PT-MZ17KL/PT-MZ14KL/PT-MZ11KL/PT-MZ16KL/PT-MZ13KL/PT-MZ10KL	

**Dimensions**

unit : mm [inch]  
This illustration is not drawn to scale.

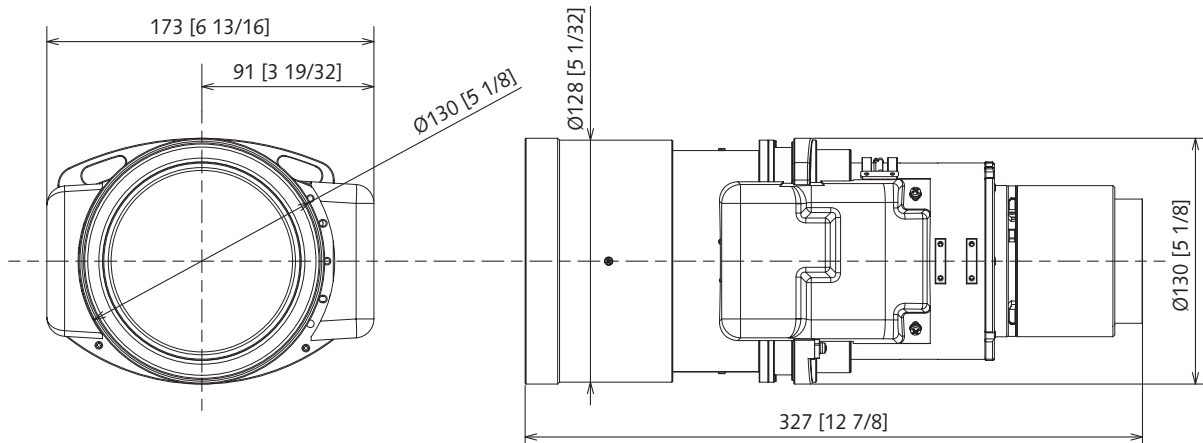
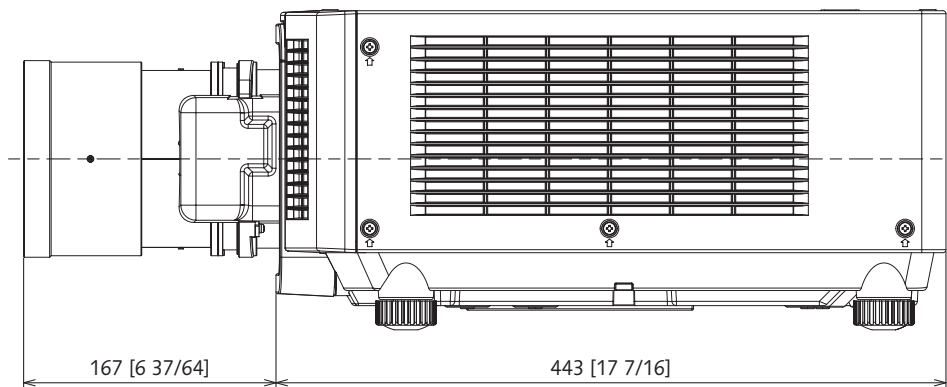


Figure attached to the [PT-MZ17KL/PT-MZ14KL/PT-MZ11KL/PT-MZ16KL/PT-MZ13KL/PT-MZ10KL] projector



Please read the projector's instruction manual for throw distances.