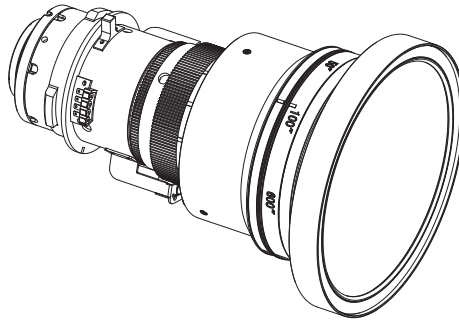


Panasonic®

Operating Instructions

Zoom Lens

Model No. ET-DLE085



Thank you for purchasing this Panasonic product.

- Please read these operating instructions and the projector operating instructions carefully, and then use this product correctly.
- **Before using this product, be sure to read “Read this first!” (→Page 2).**
- Please save this manual for future use.

Product information (for Turkey only)

EEE Yönetmeliğine Uygundur.

EEE Complies with Directive of Turkey.

TQDH19092-2

Read this first!

Always follow these precautions

WARNING:

Before replacing the zoom lens, be sure to turn the power off and disconnect the power plug from the wall outlet.

- Otherwise, an electrical shock may result.

CAUTION:

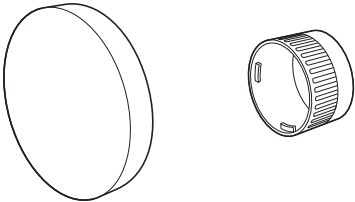
■ Supplied accessories and consumables:

Do not open the desiccant bag. Do not eat the contents. (Inadvertently ingesting desiccant could be harmful.)

- If the desiccant gets into your eyes or mouth, immediately rinse with plenty of water and seek medical attention.
- Keep desiccant out of the reach of children.

Supplied Accessories

Make sure that the following has been provided

Part name	Appearance (quantity)
Lens cap	 <p>1 of each</p>

Attaching the Lens / Detaching the Lens

Before replacing the projection lens

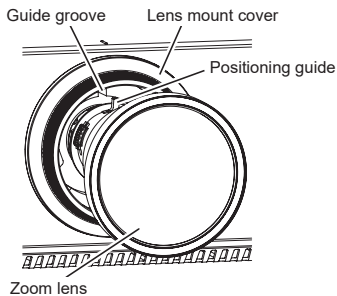
Return the projection lens to the home position before replacing or removing it.

For details on how to return the lens to the home position, refer to the operating instructions of the projector.

Attention

- Make sure that the projector power supply is switched off before attaching or detaching the projection lens.
- After removing the projection lens, store it safely away from vibration or impacts.
- Do not touch the electric contact points of the projection lens with your fingers. Dust and dirt on the contacts may cause contact malfunctions.
- Remove the lens cap before mounting the zoom lens.
- Do not touch the surface of the lens with bare hands. Finger prints and dirt on the surface of the lens will be magnified by the lens and lower the quality of the projected image. Place the supplied lens cap on the zoom lens when the projector is not in use.
- The lens is made of glass. The lens could be damaged if brought into contact with or rubbed against hard objects. Handle the lens carefully.
- Use a clean, soft and dry cloth to wipe away dust and dirt from the lens.
Do not use fluffy cloths containing oil, water or dust for cleaning. The material in the lens is easily damaged so do not apply excessive pressure when wiping it.

Attaching the Lens



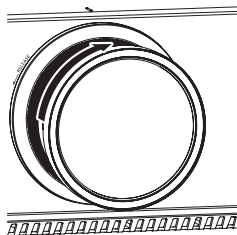
- 1) **With the lens mount cover that came with your projector attached, align the positioning guide on the zoom lens with the guide grooves on the projector, and insert the zoom lens fully.**

- There is a red dot at the bottom right end of the positioning guide.

- 2) **Rotate the lens clockwise until you hear a “click”.**

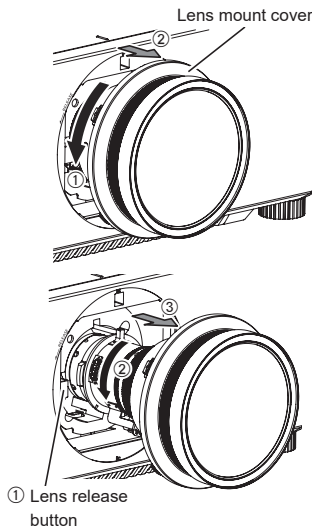
Note

- Gently turn the zoom lens counterclockwise to check that it will not fall out.



Attaching the Lens / Detaching the Lens (continued)

Detaching the Lens



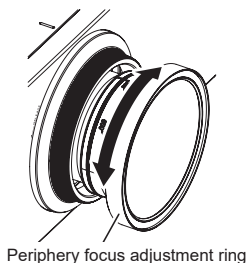
- 1) Turn the lens mount cover counterclockwise to detach it from the lens and slide it towards the front end of the lens.
- 2) Turn the zoom lens completely counterclockwise while pressing the lens release button to detach the lens.
- 3) Turn the lens mount cover clockwise to reattach it.

Focus Adjustment Function

The focal balance between the center and periphery of the projected image changes depending on the size of the projected image.

The lens is equipped with a focus balance adjustment function for the screen periphery.

■ Adjusting the Focus



- 1) Focus the center of the screen by operating the projector unit.
- 2) Turn the periphery focus ring by hand as shown in the figure to adjust the focus in the periphery of the screen.

Note

- The projected image sizes and scale shown on the periphery focus adjustment ring are an approximate guide.
- For details on the projection distance, see the projector specifications (<https://www.pavc.panasonic.co.jp/projector/extranet/main/spec/index.html>).

Specifications the Lens

Lens Type		Zoom lens
F value		1.85 - 2.20
Focal Length (f)		11.8 mm (15/32 inches) - 14.6 mm (9/16 inches)
Dimensions	Width	140 mm (5-1/2 inches)
	Height	140 mm (5-1/2 inches)
	Depth	206 mm (8-1/8 inches)
Net Weight		1.3 kg (2.87 lb)

Note

- As for projection distance, please refer to the operating instructions of the projector.

English

Manufactured by:

Panasonic Connect Co., Ltd.
4-1-62 Minoshima, Hakata-ku, Fukuoka 812-8531,
Japan

Importer:

Panasonic Connect Europe GmbH

Authorized Representative in EU:

Panasonic Testing Centre
Winsbergring 15, 22525 Hamburg, Germany

Importer for UK;

Panasonic Connect UK,
a branch of Panasonic Connect
Europe GmbH,
Maxis 2, Western Road, Bracknell,
Berkshire, RG12 1RT

**UK
CA**

Italiano

Fabbricato da:

Panasonic Connect Co., Ltd.
4-1-62 Minoshima, Hakata-ku, Fukuoka 812-8531,
Giappone

Importatore:

Panasonic Connect Europe GmbH

Rappresentante autorizzato nell'UE:

Panasonic Testing Centre
Winsbergring 15, 22525 Amburgo, Germania

Français

Fabriqué par:

Panasonic Connect Co., Ltd.
4-1-62 Minoshima, Hakata-ku, Fukuoka 812-8531,
Japon

Importateur :

Panasonic Connect Europe GmbH

Représentant autorisé dans l'UE :

Panasonic Testing Centre
Winsbergring 15, 22525 Hamburg, Allemagne

Български

Производител:

Panasonic Connect Co., Ltd.
4-1-62 Minoshima, Hakata-ku, Fukuoka 812-8531,
Япония

Вносител:

Panasonic Connect Europe GmbH

Упълномощен представител в ЕС:

Panasonic Testing Centre
Winsbergring 15, 22525 Hamburg, Германия

Español

Fabricado por:

Panasonic Connect Co., Ltd.
4-1-62 Minoshima, Hakata-ku, Fukuoka 812-8531,
Japón

Importador:

Panasonic Connect Europe GmbH

Representante Autorizado para la UE:

Panasonic Testing Centre
Winsbergring 15, 22525 Hamburgo, Alemania

Čeština

Vyrobil:

Panasonic Connect Co., Ltd.
4-1-62 Minoshima, Hakata-ku, Fukuoka 812-8531,
Japonsko

Dovozce:

Panasonic Connect Europe GmbH

Oprávněný zástupce v EU:

Panasonic Testing Centre
Winsbergring 15, 22525 Hamburk, Německo

Deutsch

Hergestellt von:

Panasonic Connect Co., Ltd.
4-1-62 Minoshima, Hakata-ku, Fukuoka 812-8531,
Japan

Importeur:

Panasonic Connect Europe GmbH

Vertretungsberechtigter in der EU:

Panasonic Testing Centre
Winsbergring 15, 22525 Hamburg, Deutschland

Dansk

Fremstillet af:

Panasonic Connect Co., Ltd.
4-1-62 Minoshima, Hakata-ku, Fukuoka 812-8531,
Japan

Importør:

Panasonic Connect Europe GmbH

Autoriseret repræsentant i EU:

Panasonic Testing Centre
Winsbergring 15, 22525 Hamburg, Tyskland

Eesti

Tootja:

Panasonic Connect Co., Ltd.
4-1-62 Minoshima, Hakata-ku, Fukuoka 812-8531,
Jaapan

Maaletooja:

Panasonic Connect Europe GmbH

Volitatud esindaja ELis:

Panasonic Testing Centre
Winsbergring 15, 22525 Hamburg, Saksamaa

Lietuvių

Gamintojas:

Panasonic Connect Co., Ltd.
4-1-62 Minoshima, Hakata-ku, Fukuoka 812-8531,
Japonija

Importuotojas:

Panasonic Connect Europe GmbH

Įgaliotasis atstovas ES:

Panasonic Testing Centre
Winsbergring 15, 22525 Hamburgas, Vokietija

Ελληνικά

Κατασκευάστηκε από:

Panasonic Connect Co., Ltd.
4-1-62 Minoshima, Hakata-ku, Fukuoka 812-8531,
Ιαπωνία

Εισαγωγέας:

Panasonic Connect Europe GmbH

Εξουσιοδοτημένος αντιπρόσωπος στην ΕΕ:

Panasonic Testing Centre
Winsbergring 15, 22525 Hamburg, Γερμανία

Magyar

Gyártotta:

Panasonic Connect Co., Ltd.
4-1-62 Minoshima, Hakata-ku, Fukuoka 812-8531,
Japán

Importőr:

Panasonic Connect Europe GmbH

Hivatalos képviselő az EU-ban:

Panasonic Testing Centre
Winsbergring 15, 22525 Hamburg, Németország

Hrvatski

Proizvodi:

Panasonic Connect Co., Ltd.
4-1-62 Minoshima, Hakata-ku, Fukuoka 812-8531,
Japan

Uvoznik:

Panasonic Connect Europe GmbH

Onlaštveni zastupnik u EU-u:

Panasonic Testing Centre
Winsbergring 15, 22525 Hamburg, Njemačka

Nederlands

Geproduceerd door:

Panasonic Connect Co., Ltd.
4-1-62 Minoshima, Hakata-ku, Fukuoka 812-8531,
Japan

Importeur:

Panasonic Connect Europe GmbH

Bevoegde vertegenwoordiger in de EU:

Panasonic Testing Centre
Winsbergring 15, 22525 Hamburg, Duitsland

Latviešu

Ražotājs:

Panasonic Connect Co., Ltd.
4-1-62 Minoshima, Hakata-ku, Fukuoka 812-8531,
Japāna

Importētājs:

Panasonic Connect Europe GmbH

Oficiālais pārstāvis ES:

Panasonic Testing Centre
Winsbergring 15, 22525 Hamburg, Vācija

Norsk

Produsert av:

Panasonic Connect Co., Ltd.
4-1-62 Minoshima, Hakata-ku, Fukuoka 812-8531,
Japan

Importør:

Panasonic Connect Europe GmbH

Autorisert representant i EU:

Panasonic Testing Centre
Winsbergring 15, 22525 Hamburg, Tyskland

Polski

Wyprodukowano przez:

Panasonic Connect Co., Ltd.
4-1-62 Minoshima, Hakata-ku, Fukuoka 812-8531,
Japonia

Importer:

Panasonic Connect Europe GmbH

Upoważniony przedstawiciel w UE:

Panasonic Testing Centre
Winsbergring 15, 22525 Hamburg, Niemcy

Slovenščina

Proizvajala:

Panasonic Connect Co., Ltd.
4-1-62 Minoshima, Hakata-ku, Fukuoka 812-8531,
Japonska

Uvoznik:

Panasonic Connect Europe GmbH

Pooblaščen zastopnik v EU:

Panasonic Testing Centre
Winsbergring 15, 22525 Hamburg, Nemčija

Português

Fabricado por:

Panasonic Connect Co., Ltd.
4-1-62 Minoshima, Hakata-ku, Fukuoka 812-8531,
Japão

Importador:

Panasonic Connect Europe GmbH

Representante Autorizado na UE:

Panasonic Testing Centre
Winsbergring 15, 22525 Hamburg, Alemanha

Türkçe

Tarafından Üretilmiştir:

Panasonic Connect Co., Ltd.
4-1-62 Minoshima, Hakata-ku, Fukuoka 812-8531,
Japonya

İthalatçı:

Panasonic Connect Europe GmbH

AB Yetkili Temsilcisi:

Panasonic Testing Centre
Winsbergring 15, 22525 Hamburg, Almanya

Română

Fabricat de:

Panasonic Connect Co., Ltd.
4-1-62 Minoshima, Hakata-ku, Fukuoka 812-8531,
Japonia

Importator:

Panasonic Connect Europe GmbH

Reprezentant autorizat în UE:

Panasonic Testing Centre
Winsbergring 15, 22525 Hamburg, Germania

Suomi

Valmistaja:

Panasonic Connect Co., Ltd.
4-1-62 Minoshima, Hakata-ku, Fukuoka 812-8531,
Japani

Maahantuoja:

Panasonic Connect Europe GmbH

Valtuutettu edustaja EU:ssa:

Panasonic Testing Centre
Winsbergring 15, 22525 Hampuri, Saksa

Slovenčina

Výrobca:

Panasonic Connect Co., Ltd.
4-1-62 Minoshima, Hakata-ku, Fukuoka 812-8531,
Japonsko

Dovozca:

Panasonic Connect Europe GmbH

Autorizovaný zástupca v EÚ:

Panasonic Testing Centre
Winsbergring 15, 22525 Hamburg, Nemecko

Svenska

Tillverkad av:

Panasonic Connect Co., Ltd.
4-1-62 Minoshima, Hakata-ku, Fukuoka 812-8531,
Japan

Importör:

Panasonic Connect Europe GmbH

Auktoriserad representant i EU:

Panasonic Testing Centre
Winsbergring 15, 22525 Hamburg, Tyskland

MEMO

Disposal of Old Equipment
Only for European Union and countries with recycling systems



This symbol on the products, packaging, and/or accompanying documents means that used electrical and electronic products must not be mixed with general household waste.

For proper treatment, recovery and recycling of old products, please take them to applicable collection points in accordance with your national legislation.

By disposing of them correctly, you will help to save valuable resources and prevent any potential negative effects on human health and the environment.

For more information about collection and recycling, please contact your local authority.

Penalties may be applicable for incorrect disposal of this waste, in accordance with national legislation.

Panasonic Connect Co., Ltd.

Web Site : <https://panasonic.net/cns/projector/>

© Panasonic Connect Co., Ltd. 2022

SS0513AM2042 -PS

Printed in Japan