

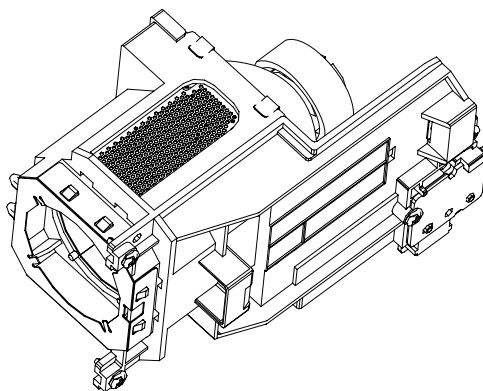
Panasonic[®]

Operating Instructions

Replacement lamp unit Commercial Use

ENGLISH

Model No. ET-LAV200C



Thank you for purchasing this Panasonic product.

- Before using this product, please read the instructions carefully, and save this manual for future use.
- Before using this product, be sure to read [Read this first!] (Page E-2).

WARNING:

Do not disassemble the lamp unit.

If the lamp breaks, it could cause injury.

Lamp replacement

The lamp has high internal pressure. If improperly handled, an explosion and severe injury or accidents will result.

- The lamp can easily explode if struck against hard objects or dropped.
- Before replacing the lamp, be sure to disconnect the power plug from the wall outlet. Electric shocks or explosions can result if this is not done.
- When replacing the lamp, turn the power off and allow it to cool for at least 1 hour before handling it otherwise it can cause burns.

CAUTION:

Do not use the old lamp unit.

If used it could cause lamp explosion.

If the lamp has broken, ventilate the room immediately. Do not touch or bring your face close to the broken pieces.

Failure to observe this will cause the user to absorb the gas which was released when the lamp broke and which contains nearly the same amount of mercury as fluorescent lamps, and the broken pieces will cause injury.

- If you believe that you have absorbed the gas or that the gas has got into your eyes or mouth, seek medical advice immediately.
- Ask your dealer about replacing the lamp unit and check the inside of the projector.



WARNING:

TURN OFF THE UV LAMP BEFORE OPENING THE LAMP COVER.

Notes on replacing the lamp unit

- The light source lamp is a glass component. If it is hit on a hard object or dropped, breakage may occur. Be careful when handling a light source lamp.
- A Phillips screwdriver is necessary when replacing the lamp unit. Hold the screwdriver firmly.
- Grip the handle when you remove the lamp unit. Some parts of the lamp unit are sharpened and may cause injury.
- The lamp contains mercury. Contact the local government office or distributor for the correct disposal of the old lamp unit.
- If you continue to use a lamp after the replacement time, the lamp may break.
- Do not disassemble the lamp unit.
- When replacing the lamp because it has stopped illuminating, there is a possibility that the lamp may be broken. If replacing the lamp of a projector which has been installed on the ceiling, you should always assume that the lamp is broken, and you should stand to the side of the lamp cover, not underneath it. Remove the lamp cover gently. Small pieces of glass may fall out when the lamp cover is opened. If pieces of glass get into your eyes or mouth, seek medical advice immediately.



LAMP NO. : ET-LAV200C

Replacing the Lamp unit

CAUTION:

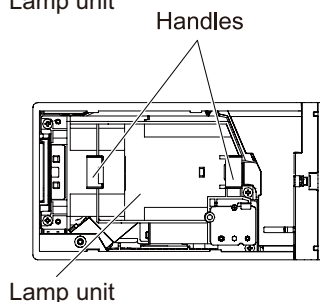
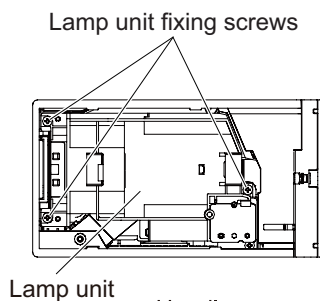
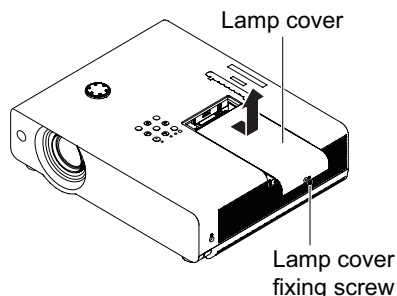
- When the projector is mounted on a ceiling, do not work with your face close to the projector.
- Attach the lamp unit and the lamp cover securely.
- When you experience difficulty in installing the lamp, remove it and try again. If you use force to install the lamp, the connector may be damaged.
- Do not use other than designated lamp units.
- Do not loosen other than designated screws.

Replacement procedure

- 1) Turn off the Power and unplug the AC power cord. Wait at least 1 hour and make sure the lamp unit and surroundings are cool.
- 2) Use a Phillips screwdriver to loosen the lamp cover fixing screw and open the lamp cover.
 - Remove the lamp cover by pulling it slowly toward the direction of the arrow.
- 3) Use a Phillips screwdriver to loosen the three lamp unit fixing screws until the screws turn freely. Hold the used lamp unit by its handles, and pull it gently from the projector.
- 4) Insert the new lamp unit in correct direction. Tighten the three lamp unit fixing screws securely with a Phillips screwdriver.
- 5) Attach the lamp cover, and tighten the lamp cover fixing screw securely with a Phillips screwdriver.
 - Attach the lamp cover by pushing it slowly opposite the direction of the arrow.

Note

- When you replace the new lamp unit (ET-LAV200C), the projector resets the total usage time of the lamp unit automatically.



Information on Disposal in other Countries outside the European Union



This symbol on the products and/or accompanying documents means that used electrical and electronic products should not be mixed with general household waste.



The Environmentally Friendly Use Period (EFUP) for the projection lamp is 5 years.

Name and quantity of hazardous substances contained in the product

| Part Name | Hazardous substances | | | | | |
|------------------|----------------------|----|----|--------|-----|------|
| | Pb | Hg | Cd | Cr(VI) | PBB | PBDE |
| Projection lamp | × | × | ○ | ○ | ○ | ○ |
| Mechanical parts | × | ○ | ○ | ○ | ○ | ○ |

This table is prepared in accordance with the provisions of SJ/T 11364.

○ : The amount of hazardous substances included in all homogeneous materials for the relevant part does not exceed the limit specified in GB/T 26572.

× : The amount of hazardous substances included in all homogeneous materials for the relevant part exceeds the limit specified in GB/T 26572.

松下电器(中国)有限公司

北京市朝阳区景华南街 5 号远洋光华中心 C 座 3 层、6 层

网站: <https://panasonic.cn>

原产地 : 中国

发行 : 2022 年 6 月

© 松下互联株式会社 2022 版权所有

TI0612ZF2062 -PT
Printed in China