

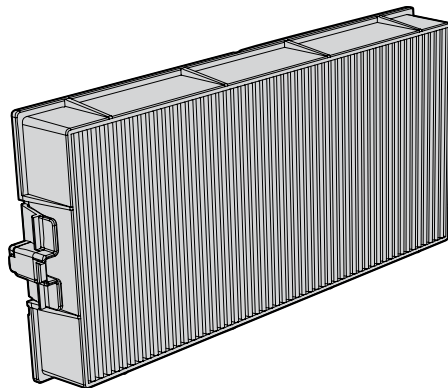
# Panasonic<sup>®</sup>

## Operating Instructions

Replacement Filter Unit Commercial Use

---

Model No. ET-RFE300C



Thank you for purchasing this Panasonic product.

- Please read these operating instructions and the projector operating instructions carefully, and then use this product correctly.
- Please save this Operating Instructions for future use.

TQZJ589-2

# Replacing the air filter unit

## Before replacing the air filter unit

### Attention

- Turn off the power and disconnect the power plug from the wall outlet before you replace the air filter unit.
- When replacing the air filter unit, make sure that the projector is stable, and work in an environment that is safe, even if you drop the air filter cover or the air filter unit.
- Do not put anything into the air vents. Doing so may result in malfunction of the projector.

### Note

- The method of removing and attaching the air filter cover differs according to the structure of the projector body.

#### Cabinet type A

PT-SLZ77C / PT-SLZ69C / PT-SLW83C / PT-SLW75C / PT-SLW65C / PT-SLX80C / PT-SLX75C / PT-SLX72C / PT-SLX62C

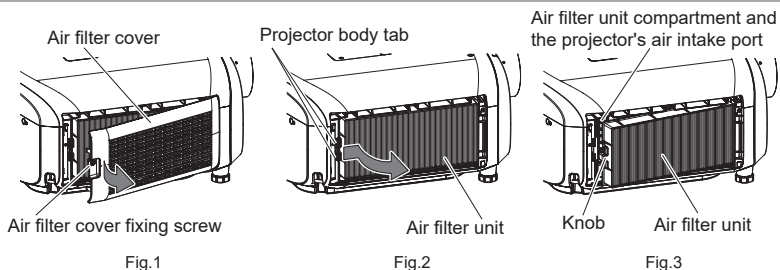
#### Cabinet type B

In the case of cabinet type B, it is necessary to reset the filter usage time after replacing.

PT-SLZ71C / PT-SLW77C / PT-SLW67C / PT-SLX74C / PT-SLX64C

- In this document, the letters at the end of the projector part numbers are omitted.
- Illustrations contained in this manual that show the projector may differ from the actual objects they depict.

## For cabinet type A



### 1) Turn off the power of the projector and set the < 主电源 > switch to < 关 > and disconnect the power plug from the power outlet.

- When the power is turned off, be absolutely sure to follow the procedure described in "Switching off the projector" in the operating instructions of the projector.

### 2) Remove the air filter cover. (Fig. 1)

- Use a Phillips screwdriver to turn the air filter cover fixing screw (x1) counterclockwise until it turns freely, and gently pull open in the direction of the arrow with your finger placed on the indent of the air filter cover and remove the cover.
- When pulling open the air filter cover, be sure to firmly hold the air filter cover with your hand. Opening the air filter cover quickly may result in the cover falling.
- Please remove if there is dirt and dust in the air filter cover.

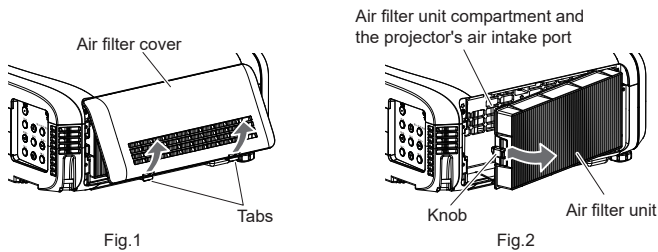
### 3) Remove the air filter unit.

- Pull out the air filter unit from the tabs of the projector while slightly pressing the knob at the center of the frame at the connecting terminal side (rear side) inward as shown by the arrow, and remove the air filter unit. (Fig. 2)

## Replacing the air filter unit (continued)

- After pulling out the air filter unit, remove foreign objects and dust from the air filter unit compartment and the projector's air intake port if there are any. (Fig. 3)
- 4) Attach the unused air filter unit (Replacement Filter Unit) to the projector.**
    - Perform Step 3) in the reverse order.
    - Push in the air filter unit securely until it clicks into place.
  - 5) Attach the air filter cover.**
    - Perform Step 2) in the reverse order to close the air filter cover, and push in the air filter cover securely until it clicks into place.
    - Use a Phillips screwdriver to firmly tighten the air filter cover fixing screw (x1).

### For cabinet type B



- 1) Turn off the power of the projector and set the < 主电源 > switch to < 关 > and disconnect the power plug from the power outlet.**
  - When the power is turned off, be absolutely sure to follow the procedure described in "Switching off the projector" in the operating instructions of the projector.
- 2) Remove the air filter cover. (Fig. 1)**
  - Pull out the air filter cover from the hook of the projector while slightly pushing upward the tabs of the air filter cover and open it in the direction of the arrow in figure.
  - When pulling open the air filter cover, be sure to firmly hold the air filter cover with your hand. Opening the air filter cover quickly may result in the cover falling.
  - Please remove if there is dirt and dust in the air filter cover.
- 3) Remove the air filter unit. (Fig. 2)**
  - Pull out the air filter unit from the tabs of the projector while slightly pressing the knob at the center of the frame at the connecting terminal side (rear side) inward as shown by the arrow, and remove the air filter unit.
  - After pulling out the air filter unit, remove foreign objects and dust from the air filter unit compartment and the projector's air intake port if there are any.
- 4) Attach the unused air filter unit (Replacement Filter Unit) to the projector.**
  - Perform Step 3) in the reverse order.
  - Push in the air filter unit securely until it clicks into place.
- 5) Attach the air filter cover.**
  - Perform Step 2) in the reverse order to close the air filter cover, and push in the air filter cover securely until it clicks into place.
- 6) Connect the power plug, set the < 主电源 > switch to < 开 >, and press the power button < 电源 > on the control panel or on the remote control to turn on the power and start the projection.**

## Replacing the air filter unit (continued)

- 7) Press the < 菜单 > button to display the main menu, then press ▲▼ to select [PROJECTOR SETUP].
- 8) Press the < 执行 > button.
- 9) Press ▲▼ to select [FILTER COUNTER].
- 10) Press the < 执行 > button.
  - The [FILTER COUNTER] screen is displayed.
- 11) Press ▲▼ to select [FILTER COUNTER RESET].
- 12) Press the < 执行 > button.
  - The [FILTER COUNTER RESET] screen is displayed.
- 13) Press ◀▶ to select [OK], then press the < 执行 > button.
  - The filter usage time is reset.

### Attention

- Make sure that the air filter unit is properly attached before using the projector. If it is not attached, the projector will suck in dirt and dust causing a malfunction.
- Dispose of the packaging materials properly after unpacking the product.
- Do not disassemble the air filter unit.

### Note

- If you use the projector without attaching the air filter unit, the filter indicator blinks in red and the message appears on the projected image for about 30 seconds. Turn the projector off, and then attach the air filter unit before turning the projector on again.
- The replacement cycle of the air filter unit varies greatly depending on the usage environment.
- For procedures on maintaining the air filter unit, refer to the operating instructions supplied with the projector.

## ■ Disposal

When discarding this product, please contact your local authorities or dealer and ask for the correct method of disposal.

---

## 松下电器(中国)有限公司

北京市朝阳区景华南街5号远洋光华中心C座3层、6层

网站: <https://panasonic.cn>

**原产地：中国**

**发行：2022年6月第三版**

© 松下互联株式会社 2022 版权所有

T1113ZF2062 -PT  
Printed in China