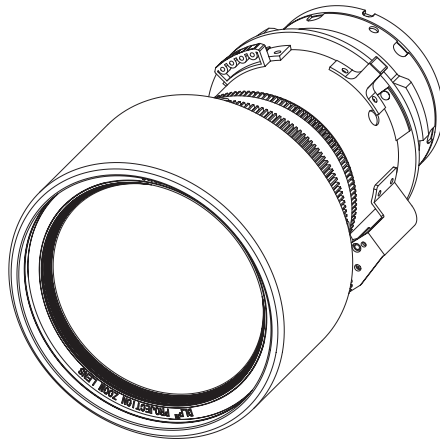


Panasonic®

Operating Instructions

Zoom Lens **Commercial Use**

Model No. **ET-DLE170**



ENGLISH

FRANÇAIS

日本語

Thank you for purchasing this Panasonic product.

- To ensure correct use of this lens, please read the operating instructions supplied with the lens and the projector carefully.
- **Before using this product, be sure to read “Read this first!” (➡Page 3).**
- Please save this manual for future use.

Contents

Read this first!	3
Before Use	4
Attaching the Lens / Detaching the Lens	4
Before replacing the projection lens	4
Attaching the Lens.....	5
Detaching the Lens	6
Projection relationships	7
Adjustment range by the lens position shift (optical shift)	9
Specifications	11
Dimensions	11
Dimensional relationship	Appendix / Annexe / 付録 1

The “Appendix” can be found after the Japanese language section (**日本語**).

WARNING:

Do not look at or place your skin into the light emitted from the lens while the projector is being used.

Doing so can cause burns or loss of sight.

- Strong light is emitted from the projector's lens. Do not look at or place your hands directly into this light.
- In addition, turn off the power and switch off the main power when you are away from the projector.

Do not project an image with the lens cover attached.

- Doing so can cause fire.

CAUTION:

Before replacing the projection lens, be sure to turn off the power and disconnect the power plug from the wall outlet.

- Unexpected projection of light may cause injury to eyes.
- Replacing the projection lens without removing the power plug may result in electric shock.

Do not stand in front of the lens while the projector is being used.

Doing so can cause damage and burns to clothing.

- Strong light is emitted from the projector's lens.

Do not place objects in front of the lens while the projector is being used.

Doing so can cause fire, damage to an object, or malfunction of the projector.

- Strong light is emitted from the projector's lens.

Do not open the desiccant bag. Do not eat the contents.

Inadvertently ingesting desiccant could be harmful.

- If the desiccant gets into your eyes or mouth, immediately rinse with plenty of water and seek medical attention.
- Keep desiccant out of the reach of children.

Before Use

Supported projectors

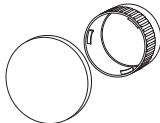
PT-RZ970 / PT-RW930 / PT-RX110 / PT-RZ770 / PT-RW730 / PT-RZ660 / PT-RW620 /
PT-RZ670 / PT-RW630 / PT-DZ870 / PT-DW830 / PT-DX100 / PT-DZ780 / PT-DW750 / PT-DX820

Note

- This manual omits the alphabets at the end of projector model numbers.
- Models other than the above may also be supported. Refer to the operating instructions of the projector you are using.

Supplied Accessories

Make sure that the following has been provided.

Part name	Appearance (quantity)
Lens cover	 <p>(The product is delivered with a lens cap attached.)</p> <p>1 each</p>

Attaching the Lens / Detaching the Lens

Before replacing the projection lens

Return the projection lens to the home position before replacing or removing it. For details on how to return the lens to the home position, refer to the operating instructions of the projector.

Attention

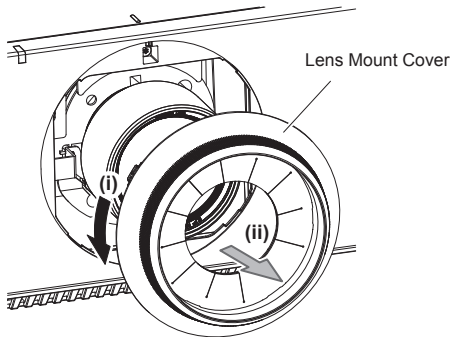
- Make sure that the projector power supply is switched off before attaching or detaching the projection lens.
- After removing the projection lens, store it safely away from vibration or impacts.
- Do not touch the electric contact points of the projection lens with your fingers. Dust and dirt on the contacts may cause contact malfunctions.
- Do not touch the surface of the lens with bare hands. Finger prints and dirt on the surface of the lens will be magnified by the lens and lower the quality of the projected image. Place the supplied lens cover on the zoom lens when the projector is not in use.
- The lens is made of glass. The lens could be damaged if brought into contact with or rubbed against hard objects. Handle the lens carefully.
- Use a clean, soft and dry cloth to wipe away dust and dirt from the lens.
Do not use fluffy cloths containing oil, water or dust for cleaning. The material in the lens is easily damaged, so do not apply excessive pressure when wiping it.

Attaching the Lens / Detaching the Lens (continued)

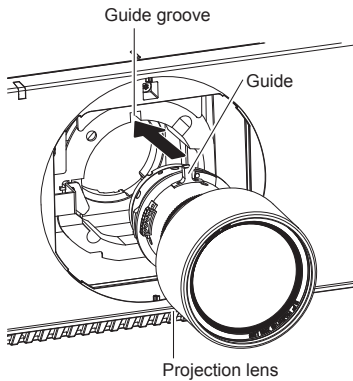
Attaching the Lens

Attention

- Before attaching the Projection Lens, remove the lens hole cover (only lens options models) and the two lens covers attached to the Projection Lens.

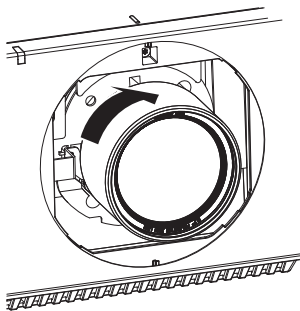


- 1) **Remove the Lens Mount Cover, and align the projection lens guide to the guide groove of the projector and insert to the end.**

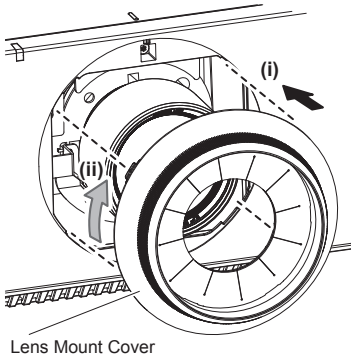


- 2) **Turn the projection lens clockwise until it clicks.**

- Turn the projection lens counterclockwise to confirm that it does not come out.



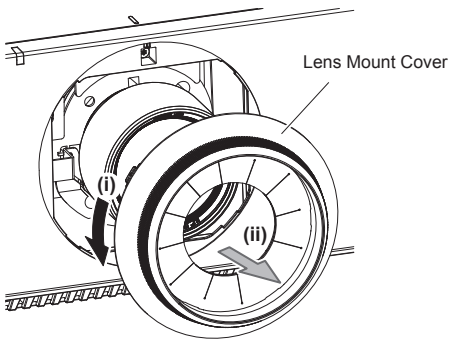
Attaching the Lens / Detaching the Lens (continued)



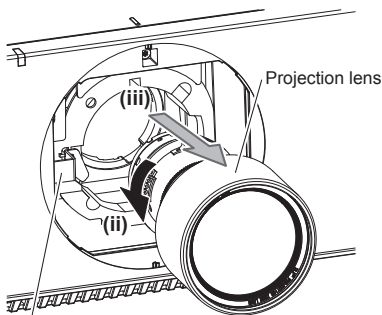
3) Attach the Lens Mount Cover.

- Align the Lens Mount Cover and the projector at the dashed line positions in the figure to attach, and turn the Lens Mount Cover clockwise to fix it to the projector.

Detaching the Lens



1) Turn the Lens Mount Cover counterclockwise and remove.



2) While pressing the lens release button, turn the projection lens counterclockwise to the end and remove.

(i) Lens release button

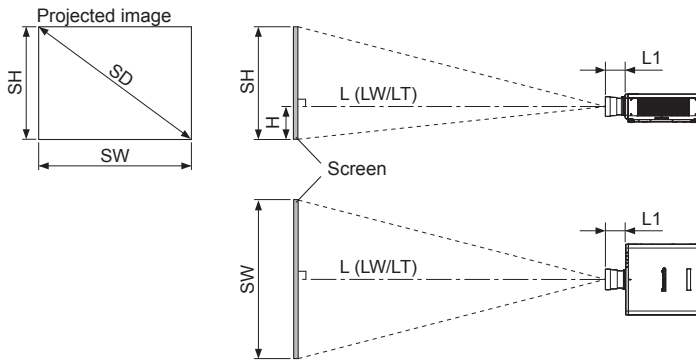
Attention

- Store the removed projection lens where it will be free from vibration and impact.

Projection relationships

The dimensional relationship between the screen and the projector is shown below.

Dimensional relationship diagram



(Unit: m)

Projector model	Dimension for L1 (approximate value)
PT-RZ970 / PT-RW930 / PT-RX110 / PT-RZ770 / PT-RW730 / PT-RZ660 / PT-RW620 / PT-RZ670 / PT-RW630 / PT-DZ870 / PT-DW830 / PT-DX100	0.043
PT-DZ780 / PT-DW750 / PT-DX820	0.023

Note

- This diagram assumes that the size and position of the projected image will be adjusted so that the image fills the entire screen.
- This illustration is not drawn to scale.

L		Projection distance
	LW	Minimum distance
	LT	Maximum distance
L1		Lens protrusion dimension
SH		Image height
H		Distance from the lens center to the lower edge of the projected image
SW		Image width
SD		Projected image size

Note

- The illustrations of projectors in this manual are for informational purposes only and do not represent a specific projector model. Configurations may vary with the model.

Attention

- To prevent blocking of the intake and exhaust vents, maintain clearances from walls and objects of at least 1 000 mm (3'3") for the exhaust vent and at least 500 mm (1'8") for the intake vent.
- Avoid setting up in places which are subject to sudden temperature changes, such as near an air conditioner or lighting equipment (studio lamps, etc.).

Projection relationships (continued)

■ Dimensional relationship

For details on the projection distance (L), refer to “Projected image size and Projection distance” and “Projection distance formulas” in the Appendix.

Note

- For details on “Projected image size and Projection distance” for projector models other than the following, refer to “Setting up” in the operating instructions of the projector.

PT-RZ970 / PT-RW930 / PT-RX110 / PT-RZ770 / PT-RW730 / PT-RZ660 / PT-RW620 /
PT-RZ670 / PT-RW630 / PT-DZ870 / PT-DW830 / PT-DX100 / PT-DZ780 / PT-DW750 / PT-DX820

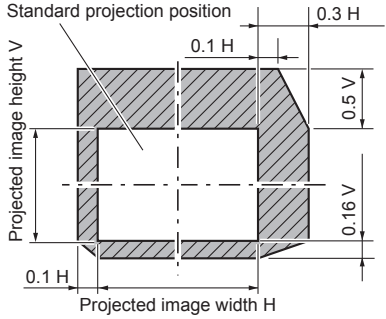
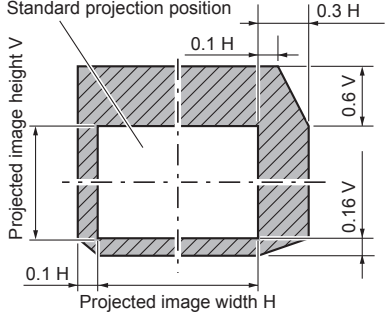
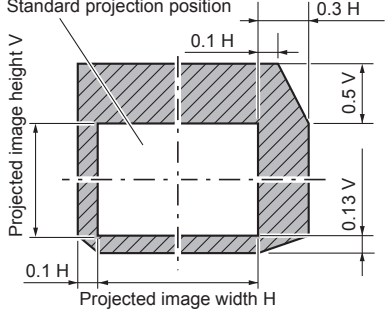
Adjustment range by the lens position shift (optical shift)

Perform the lens position shift within the adjustment range.

The focus may change when the lens position is shifted out of the adjustment range.

This is because the movement of the lens is restricted to protect the optical parts.

Projection position can be adjusted with the optical axis shift based on the home position in the respective range.

<p>PT-RZ970 / PT-RZ770 / PT-RZ660 / PT-RZ670 / PT-DZ780</p>	 <p>Standard projection position</p> <p>Projected image height V</p> <p>Projected image width H</p> <p>0.1 H</p> <p>0.1 H</p> <p>0.3 H</p> <p>0.5 V</p> <p>0.16 V</p>
<p>PT-RW930 / PT-RW730 / PT-RW620 / PT-RW630 / PT-DW750</p>	 <p>Standard projection position</p> <p>Projected image height V</p> <p>Projected image width H</p> <p>0.1 H</p> <p>0.1 H</p> <p>0.3 H</p> <p>0.6 V</p> <p>0.16 V</p>
<p>PT-RX110 / PT-DX820</p>	 <p>Standard projection position</p> <p>Projected image height V</p> <p>Projected image width H</p> <p>0.1 H</p> <p>0.1 H</p> <p>0.3 H</p> <p>0.5 V</p> <p>0.13 V</p>

Adjustment range by the lens position shift (optical shift) (continued)

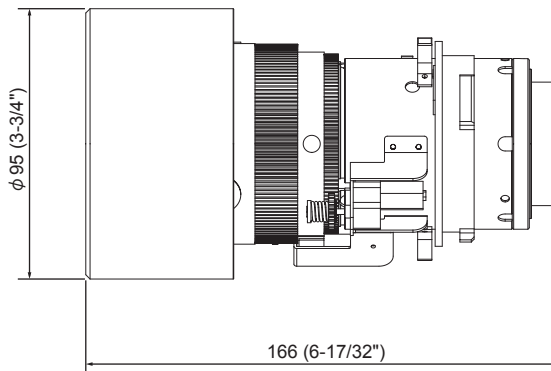
<p>PT-DZ870</p>	<p>Standard projection position</p> <p>Projection screen height V</p> <p>Projection screen width H</p> <p>$0.1 H$</p> <p>$0.5 V$</p>
<p>PT-DW830</p>	<p>Standard projection position</p> <p>Projection screen height V</p> <p>Projection screen width H</p> <p>$0.1 H$</p> <p>$0.6 V$</p>
<p>PT-DX100</p>	<p>Standard projection position</p> <p>Projection screen height V</p> <p>Projection screen width H</p> <p>$0.1 H$</p> <p>$0.5 V$</p>

Specifications

F value	1.7 - 1.9
Focal Length (f)	25.6 mm (1") - 35.7 mm (1-13/32")
Dimensions	Width 95 mm (3-3/4") Height 95 mm (3-3/4") Depth 166 mm (6-17/32")
Net Weight	Approx. 0.9 kg (2 lb)

Dimensions

(Unit: mm)



■ Indication of the manufacturer and the importer with EU Directive requirements

English	<p>Manufactured by: Panasonic Connect Co., Ltd. 4-1-62 Minoshima, Hakata-ku, Fukuoka 812-8531, Japan</p> <p>Importer: Panasonic Connect Europe GmbH Hagenauer Strasse 43, 65203 Wiesbaden, Germany</p> <p>Authorized Representative in EU: Panasonic Connect Europe GmbH Panasonic Testing Centre Winsbergring 15, 22525 Hamburg, Germany</p>
Български	<p>Производител: Panasonic Connect Co., Ltd. 4-1-62 Minoshima, Hakata-ku, Fukuoka 812-8531, Япония</p> <p>Вносител: Panasonic Connect Europe GmbH Hagenauer Strasse 43, 65203 Wiesbaden, Германия</p> <p>Упълномощен представител в ЕС: Panasonic Connect Europe GmbH Panasonic Testing Centre Winsbergring 15, 22525 Hamburg, Германия</p>
Čeština	<p>Vyrobil: Panasonic Connect Co., Ltd. 4-1-62 Minoshima, Hakata-ku, Fukuoka 812-8531, Japonsko</p> <p>Dovozce: Panasonic Connect Europe GmbH Hagenauer Strasse 43, 65203 Wiesbaden, Německo</p> <p>Oprávněný zástupce v EU: Panasonic Connect Europe GmbH Panasonic Testing Centre Winsbergring 15, 22525 Hamburk, Německo</p>
Српски	<p>Произведен од: Panasonic Connect Co., Ltd. 4-1-62, Minoshima, Hakata-ku, Fukuoka 812-8531, Јапан</p> <p>Увозник: Panasonic Connect Europe GmbH Hagenauer Strasse 43, 65203 Wiesbaden, Немачка</p> <p>Овлашћени представник у ЕУ: Panasonic Connect Europe GmbH Panasonic Testing Centre Winsbergring 15, 22525 Hamburg, Немачка</p>
Dansk	<p>Fremstillet af: Panasonic Connect Co., Ltd. 4-1-62 Minoshima, Hakata-ku, Fukuoka 812-8531, Japan</p> <p>Importør: Panasonic Connect Europe GmbH Hagenauer Strasse 43, 65203 Wiesbaden, Tyskland</p> <p>Autoriseret repræsentant i EU: Panasonic Connect Europe GmbH Panasonic Testing Centre Winsbergring 15, 22525 Hamburg, Tyskland</p>
Deutsch	<p>Hergestellt von: Panasonic Connect Co., Ltd. 4-1-62 Minoshima, Hakata-ku, Fukuoka 812-8531, Japan</p> <p>Importeur: Panasonic Connect Europe GmbH Hagenauer Strasse 43, 65203 Wiesbaden, Deutschland</p> <p>Vertretungsberechtigter in der EU: Panasonic Connect Europe GmbH Panasonic Testing Centre Winsbergring 15, 22525 Hamburg, Deutschland</p>
Eesti	<p>Tootja: Panasonic Connect Co., Ltd. 4-1-62 Minoshima, Hakata-ku, Fukuoka 812-8531, Jaapan</p> <p>Maaletooja: Panasonic Connect Europe GmbH Hagenauer Strasse 43, 65203 Wiesbaden, Saksamaa</p> <p>Volitatud esindaja ELis: Panasonic Connect Europe GmbH Panasonic Testing Centre Winsbergring 15, 22525 Hamburg, Saksamaa</p>

Ελληνικά	<p>Κατασκευάστηκε από: Panasonic Connect Co., Ltd. 4-1-62 Minoshima, Hakata-ku, Fukuoka 812-8531, Ιαπωνία</p> <p>Εισαγωγέας: Panasonic Connect Europe GmbH Hagenauer Strasse 43, 65203 Wiesbaden, Γερμανία</p> <p>Εξουσιοδοτημένος αντιπρόσωπος στην ΕΕ: Panasonic Connect Europe GmbH Panasonic Testing Centre Winsbergring 15, 22525 Hamburg, Γερμανία</p>
Español	<p>Fabricado por: Panasonic Connect Co., Ltd. 4-1-62 Minoshima, Hakata-ku, Fukuoka 812-8531, Japón</p> <p>Importador: Panasonic Connect Europe GmbH Hagenauer Strasse 43, 65203 Wiesbaden, Alemania</p> <p>Representante Autorizado para la UE: Panasonic Connect Europe GmbH Panasonic Testing Centre Winsbergring 15, 22525 Hamburgo, Alemania</p>
Français	<p>Fabriqué par : Panasonic Connect Co., Ltd. 4-1-62 Minoshima, Hakata-ku, Fukuoka 812-8531, Japon</p> <p>Importateur : Panasonic Connect Europe GmbH Hagenauer Strasse 43, 65203 Wiesbaden, Allemagne</p> <p>Représentant autorisé dans l'UE : Panasonic Connect Europe GmbH Panasonic Testing Centre Winsbergring 15, 22525 Hambourg, Allemagne</p>
Hrvatski	<p>Proizvodi: Panasonic Connect Co., Ltd. 4-1-62 Minoshima, Hakata-ku, Fukuoka 812-8531, Japan</p> <p>Uvoznik: Panasonic Connect Europe GmbH Hagenauer Strasse 43, 65203 Wiesbaden, Njemačka</p> <p>Ovlašteni zastupnik u EU-u: Panasonic Connect Europe GmbH Panasonic Testing Centre Winsbergring 15, 22525 Hamburg, Njemačka</p>
Íslenskur	<p>Framleitt af: Panasonic Connect Co., Ltd. 4-1-62, Minoshima, Hakata-ku, Fukuoka 812-8531, Japan</p> <p>Innflytjandi: Panasonic Connect Europe GmbH Hagenauer Strasse 43, 65203 Wiesbaden, Þýskalandi</p> <p>Viðurkenndur fulltrúi í ESB: Panasonic Connect Europe GmbH Panasonic Testing Centre Winsbergring 15, 22525 Hamburg, Þýskalandi</p>
Italiano	<p>Fabbricato da: Panasonic Connect Co., Ltd. 4-1-62 Minoshima, Hakata-ku, Fukuoka 812-8531, Giappone</p> <p>Importatore: Panasonic Connect Europe GmbH Hagenauer Strasse 43, 65203 Wiesbaden, Germania</p> <p>Rappresentante autorizzato nell'UE: Panasonic Connect Europe GmbH Panasonic Testing Centre Winsbergring 15, 22525 Amburgo, Germania</p>
Latviešu	<p>Ražotājs: Panasonic Connect Co., Ltd. 4-1-62 Minoshima, Hakata-ku, Fukuoka 812-8531, Japāna</p> <p>Importētājs: Panasonic Connect Europe GmbH Hagenauer Strasse 43, 65203 Wiesbaden, Vācija</p> <p>Oficiālais pārstāvis ES: Panasonic Connect Europe GmbH Panasonic Testing Centre Winsbergring 15, 22525 Hamburg, Vācija</p>

Lietuvių	<p>Gamintojas: Panasonic Connect Co., Ltd. 4-1-62 Minoshima, Hakata-ku, Fukuoka 812-8531, Japonija</p> <p>Importuotojas: Panasonic Connect Europe GmbH Hagenauer Strasse 43, 65203 Wiesbaden, Vokietija</p> <p>Igaliotasis atstovas ES: Panasonic Connect Europe GmbH Panasonic Testing Centre Winsbergring 15, 22525 Hamburgas, Vokietija</p>
Magyar	<p>Gyártotta: Panasonic Connect Co., Ltd. 4-1-62 Minoshima, Hakata-ku, Fukuoka 812-8531, Japán</p> <p>Importőr: Panasonic Connect Europe GmbH Hagenauer Strasse 43, 65203 Wiesbaden, Németország</p> <p>Hivatalos képviselő az EU-ban: Panasonic Connect Europe GmbH Panasonic Testing Centre Winsbergring 15, 22525 Hamburg, Németország</p>
Nederlands	<p>Geproduceerd door: Panasonic Connect Co., Ltd. 4-1-62 Minoshima, Hakata-ku, Fukuoka 812-8531, Japan</p> <p>Importeur: Panasonic Connect Europe GmbH Hagenauer Strasse 43, 65203 Wiesbaden, Duitsland</p> <p>Bevoegde vertegenwoordiger in de EU: Panasonic Connect Europe GmbH Panasonic Testing Centre Winsbergring 15, 22525 Hamburg, Duitsland</p>
Norsk	<p>Produsert av: Panasonic Connect Co., Ltd. 4-1-62 Minoshima, Hakata-ku, Fukuoka 812-8531, Japan</p> <p>Importør: Panasonic Connect Europe GmbH Hagenauer Strasse 43, 65203 Wiesbaden, Tyskland</p> <p>Autorisert representant i EU: Panasonic Connect Europe GmbH Panasonic Testing Centre Winsbergring 15, 22525 Hamburg, Tyskland</p>
Polski	<p>Wyprodukowano przez: Panasonic Connect Co., Ltd. 4-1-62 Minoshima, Hakata-ku, Fukuoka 812-8531, Japonia</p> <p>Importer: Panasonic Connect Europe GmbH Hagenauer Strasse 43, 65203 Wiesbaden, Niemcy</p> <p>Upoważniony przedstawiciel w UE: Panasonic Connect Europe GmbH Panasonic Testing Centre Winsbergring 15, 22525 Hamburg, Niemcy</p>
Português	<p>Fabricado por: Panasonic Connect Co., Ltd. 4-1-62 Minoshima, Hakata-ku, Fukuoka 812-8531, Japão</p> <p>Importador: Panasonic Connect Europe GmbH Hagenauer Strasse 43, 65203 Wiesbaden, Alemanha</p> <p>Representante Autorizado na UE: Panasonic Connect Europe GmbH Panasonic Testing Centre Winsbergring 15, 22525 Hamburg, Alemanha</p>
Română	<p>Fabricat de: Panasonic Connect Co., Ltd. 4-1-62 Minoshima, Hakata-ku, Fukuoka 812-8531, Japonia</p> <p>Importator: Panasonic Connect Europe GmbH Hagenauer Strasse 43, 65203 Wiesbaden, Germania</p> <p>Reprezentant autorizat în UE: Panasonic Connect Europe GmbH Panasonic Testing Centre Winsbergring 15, 22525 Hamburg, Germania</p>
Slovenčina	<p>Výrobca: Panasonic Connect Co., Ltd. 4-1-62 Minoshima, Hakata-ku, Fukuoka 812-8531, Japonsko</p> <p>Dovozca: Panasonic Connect Europe GmbH Hagenauer Strasse 43, 65203 Wiesbaden, Nemecko</p> <p>Autorizovaný zástupca v EÚ: Panasonic Connect Europe GmbH Panasonic Testing Centre Winsbergring 15, 22525 Hamburg, Nemecko</p>

Slovenščina	<p>Proizvajaja: Panasonic Connect Co., Ltd. 4-1-62 Minoshima, Hakata-ku, Fukuoka 812-8531, Japonska</p> <p>Uvoznik: Panasonic Connect Europe GmbH Hagenauer Strasse 43, 65203 Wiesbaden, Nemčija</p> <p>Pooblaščen zastopnik v EU: Panasonic Connect Europe GmbH Panasonic Testing Centre Winsbergring 15, 22525 Hamburg, Nemčija</p>
Suomi	<p>Valmistaja: Panasonic Connect Co., Ltd. 4-1-62 Minoshima, Hakata-ku, Fukuoka 812-8531, Japani</p> <p>Maahantuojaja: Panasonic Connect Europe GmbH Hagenauer Strasse 43, 65203 Wiesbaden, Saksa</p> <p>Valtuutettu edustaja EU:ssa: Panasonic Connect Europe GmbH Panasonic Testing Centre Winsbergring 15, 22525 Hampuri, Saksa</p>
Svenska	<p>Tillverkad av: Panasonic Connect Co., Ltd. 4-1-62 Minoshima, Hakata-ku, Fukuoka 812-8531, Japan</p> <p>Importör: Panasonic Connect Europe GmbH Hagenauer Strasse 43, 65203 Wiesbaden, Tyskland</p> <p>Auktoriserad representant i EU: Panasonic Connect Europe GmbH Panasonic Testing Centre Winsbergring 15, 22525 Hamburg, Tyskland</p>
Türkçe	<p>Tarafından Üretilmiştir: Panasonic Connect Co., Ltd. 4-1-62 Minoshima, Hakata-ku, Fukuoka 812-8531, Japonya</p> <p>İthalatçı: Panasonic Connect Europe GmbH Hagenauer Strasse 43, 65203 Wiesbaden, Almanya</p> <p>AB Yetkili Temsilcisi: Panasonic Connect Europe GmbH Panasonic Testing Centre Winsbergring 15, 22525 Hamburg, Almanya</p>

Manufactured by: Panasonic Connect Co., Ltd.

4-1-62 Minoshima, Hakata-ku, Fukuoka 812-8531, Japan

Importer: Panasonic Connect Europe GmbH

Hagenauer Strasse 43, 65203 Wiesbaden, Germany

Authorized Representative in EU: Panasonic Connect Europe GmbH

Panasonic Testing Centre

Winsbergring 15, 22525 Hamburg, Germany

Importer for UK:

Panasonic Connect UK,

a branch of Panasonic Connect Europe GmbH,

Maxis 2, Western Road, Bracknell, Berkshire, RG12 1RT



Disposal of Old Equipment

Only for European Union and countries with recycling systems



This symbol on the products, packaging, and/or accompanying documents means that used electrical and electronic products must not be mixed with general household waste. For proper treatment, recovery and recycling of old products, please take them to applicable collection points in accordance with your national legislation.

By disposing of them correctly, you will help to save valuable resources and prevent any potential negative effects on human health and the environment.

For more information about collection and recycling, please contact your local authority.

Penalties may be applicable for incorrect disposal of this waste, in accordance with national legislation.

Product Information (for Turkey only)

AEEE Yönetmeliğine Uygundur.

Environment care information for users in China



This symbol is only valid in China.

Panasonic Connect Co., Ltd.

Web Site : <https://panasonic.net/cns/projector/>

© Panasonic Connect Co., Ltd. 2022

Panasonic Connect North America

Two Riverfront Plaza, Newark, NJ 07102

TEL: (877) 803 - 8492

Panasonic Canada Inc.

5770 Ambler Drive, Mississauga, Ontario L4W 2T3

TEL: (905) 624 - 5010

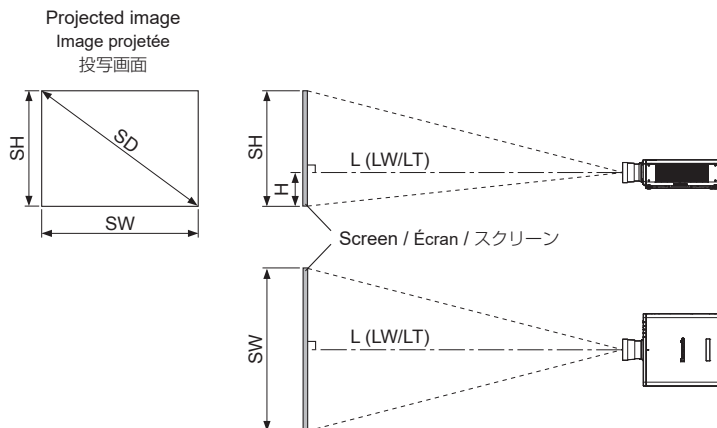
HS0716JZ3044 -PT

Printed in Japan

Appendix / Annexe / 付録

- Dimensional relationship
- Relations dimensionnelles
- 投写関係寸法

The dimensional relationship between the screen and the projector is shown below.
 Les relations dimensionnelles entre l'écran et le projecteur sont indiquées ci-dessous.
 スクリーンとプロジェクター間の投写関係寸法は下記の通りです。



L		Projection distance / Distance de projection / 投写距離
	LW	Minimum distance / Distance minimale / 最短投写距離
	LT	Maximum distance / Distance maximale / 最長投写距離
SH		Image height / Hauteur d'image / 投写画面高さ
H		Distance from the lens center to the lower edge of the projected image Distance du centre de l'objectif au bord inférieur de l'image projetée レンズセンター～スクリーン下端
SW		Image width / Largeur d'image / 投写画面幅
SD		Projected image size / Taille de l'image projetée / 投写画面对角

- Projected image size and Projection distance
- Taille de l'image projetée et distance de projection
- 投写画面サイズと投写距離

Note

- When using projector models other than the following, refer to "Setting up" in the operating instructions of the projector.
In addition, be sure to check the diagonal screen size SD (m), and use the "Projection distance formulas" (👁️ Appendix page 6) to determine the projection distance (L).

Remarque

- Lorsque vous utilisez des modèles de projecteur différents des modèles suivants, consultez "Installation" dans le mode d'emploi du projecteur.
De plus, assurez-vous de vérifier la taille de l'écran en diagonale SD (m) et d'utiliser la "Formules de distance de projection" (👁️ Annexe page 6) pour déterminer la distance de projection (L).

お知らせ

- 下記以外のプロジェクターをご使用の場合は、プロジェクターの取扱説明書「設置する」をご覧ください。または、画面対角サイズ SD (m) をご確認のうえ、「投写距離計算式」(👁️ 6 ページ)で投写距離 (L) を求めてください。

Projectors / Projecteurs / プロジェクター

PT-RZ970 / PT-RW930 / PT-RX110 / PT-RZ770 / PT-RW730 / PT-RZ660 / PT-RW620 / PT-RZ670 / PT-RW630 / PT-DZ870 / PT-DW830 / PT-DX100 / PT-DZ780 / PT-DW750 / PT-DX820
--

The dimensions of the following table contain a slight error.

Periods are used to represent decimal points in the calculation formulas in the following table.

Les dimensions du tableau suivant peuvent présenter un léger écart.

Les points sont utilisés pour indiquer les décimales dans les formules de calcul dans le tableau suivant.

次の表内の寸法は若干の誤差があります。

● **PT-RZ970 / PT-RZ770 / PT-RZ660 / PT-RZ670 / PT-DZ780**

(Unit / Unités / 単位 : m)

When the screen aspect ratio is 16:10 Lorsque le rapport d'aspect de l'écran est 16:10 画面アスペクト比 16 : 10 のとき					
SD	SH	SW	L		H
			LW	LT	
1.27 (50")	0.673	1.077	1.82	2.57	0 - 0.44
1.52 (60")	0.808	1.292	2.20	3.10	0 - 0.53
1.78 (70")	0.942	1.508	2.58	3.63	0 - 0.62
2.03 (80")	1.077	1.723	2.95	4.16	0 - 0.71
2.29 (90")	1.212	1.939	3.33	4.69	0 - 0.80
2.54 (100")	1.346	2.154	3.71	5.21	0 - 0.89
3.05 (120")	1.615	2.585	4.47	6.27	0 - 1.07
3.81 (150")	2.019	3.231	5.60	7.86	0 - 1.33
5.08 (200")	2.692	4.308	7.50	10.50	0 - 1.78
6.35 (250")	3.365	5.385	9.39	13.14	0 - 2.22
7.62 (300")	4.039	6.462	11.28	15.79	0 - 2.67
8.89 (350")	4.712	7.539	13.18	18.43	0 - 3.11
10.16 (400")	5.385	8.616	15.07	21.07	0 - 3.55
12.70 (500")	6.731	10.770	18.86	26.36	0 - 4.44
15.24 (600")	8.077	12.923	22.64	31.65	0 - 5.33

● **PT-DZ870**

(Unit / Unités / 単位 : m)

When the screen aspect ratio is 16:10 Lorsque le rapport d'aspect de l'écran est 16:10 画面アスペクト比 16 : 10 のとき					
SD	SH	SW	L		H
			LW	LT	
1.27 (50")	0.673	1.077	1.82	2.57	0 - 0.34
1.52 (60")	0.808	1.292	2.20	3.10	0 - 0.40
1.78 (70")	0.942	1.508	2.58	3.63	0 - 0.47
2.03 (80")	1.077	1.723	2.95	4.16	0 - 0.54
2.29 (90")	1.212	1.939	3.33	4.69	0 - 0.61
2.54 (100")	1.346	2.154	3.71	5.21	0 - 0.67
3.05 (120")	1.615	2.585	4.47	6.27	0 - 0.81
3.81 (150")	2.019	3.231	5.60	7.86	0 - 1.01
5.08 (200")	2.692	4.308	7.50	10.50	0 - 1.35
6.35 (250")	3.365	5.385	9.39	13.14	0 - 1.68
7.62 (300")	4.039	6.462	11.28	15.79	0 - 2.02
8.89 (350")	4.712	7.539	13.18	18.43	0 - 2.36
10.16 (400")	5.385	8.616	15.07	21.07	0 - 2.69
12.70 (500")	6.731	10.770	18.86	26.36	0 - 3.37
15.24 (600")	8.077	12.923	22.64	31.65	0 - 4.04

● PT-RW930 / PT-RW730 / PT-RW620 / PT-RW630 / PT-DW750

(Unit / Unités / 単位 : m)

When the screen aspect ratio is 16:10 Lorsque le rapport d'aspect de l'écran est 16:10 画面アスペクト比 16 : 10 のとき					
SD	SH	SW	L		H
			LW	LT	
1.27 (50")	0.673	1.077	1.91	2.70	-0.07 - 0.44
1.52 (60")	0.808	1.292	2.31	3.26	-0.08 - 0.53
1.78 (70")	0.942	1.508	2.71	3.81	-0.09 - 0.62
2.03 (80")	1.077	1.723	3.11	4.37	-0.11 - 0.71
2.29 (90")	1.212	1.939	3.50	4.92	-0.12 - 0.80
2.54 (100")	1.346	2.154	3.90	5.48	-0.13 - 0.89
3.05 (120")	1.615	2.585	4.70	6.59	-0.16 - 1.07
3.81 (150")	2.019	3.231	5.89	8.25	-0.20 - 1.33
5.08 (200")	2.692	4.308	7.88	11.03	-0.27 - 1.78
6.35 (250")	3.365	5.385	9.86	13.81	-0.34 - 2.22
7.62 (300")	4.039	6.462	11.85	16.58	-0.40 - 2.67
8.89 (350")	4.712	7.539	13.84	19.36	-0.47 - 3.11
10.16 (400")	5.385	8.616	15.83	22.13	-0.54 - 3.55
12.70 (500")	6.731	10.770	19.80	27.68	-0.67 - 4.44
15.24 (600")	8.077	12.923	23.78	33.23	-0.81 - 5.33

● PT-DW830

(Unit / Unités / 単位 : m)

When the screen aspect ratio is 16:10 Lorsque le rapport d'aspect de l'écran est 16:10 画面アスペクト比 16 : 10 のとき					
SD	SH	SW	L		H
			LW	LT	
1.27 (50")	0.673	1.077	1.91	2.70	-0.07 - 0.34
1.52 (60")	0.808	1.292	2.31	3.26	-0.08 - 0.40
1.78 (70")	0.942	1.508	2.71	3.81	-0.09 - 0.47
2.03 (80")	1.077	1.723	3.11	4.37	-0.11 - 0.54
2.29 (90")	1.212	1.939	3.50	4.92	-0.12 - 0.61
2.54 (100")	1.346	2.154	3.90	5.48	-0.13 - 0.67
3.05 (120")	1.615	2.585	4.70	6.59	-0.16 - 0.81
3.81 (150")	2.019	3.231	5.89	8.25	-0.20 - 1.01
5.08 (200")	2.692	4.308	7.88	11.03	-0.27 - 1.35
6.35 (250")	3.365	5.385	9.86	13.81	-0.34 - 1.68
7.62 (300")	4.039	6.462	11.85	16.58	-0.40 - 2.02
8.89 (350")	4.712	7.539	13.84	19.36	-0.47 - 2.36
10.16 (400")	5.385	8.616	15.83	22.13	-0.54 - 2.69
12.70 (500")	6.731	10.770	19.80	27.68	-0.67 - 3.37
15.24 (600")	8.077	12.923	23.78	33.23	-0.81 - 4.04

● PT-RX110 / PT-DX820

(Unit / Unités / 単位 : m)

When the screen aspect ratio is 4:3 Lorsque le rapport d'aspect de l'écran est 4:3 画面アスペクト比 4 : 3 のとき					
SD	SH	SW	L		H
			LW	LT	
1.27 (50")	0.762	1.016	1.78	2.51	0 - 0.48
1.52 (60")	0.914	1.219	2.15	3.03	0 - 0.58
1.78 (70")	1.067	1.422	2.52	3.55	0 - 0.67
2.03 (80")	1.219	1.626	2.89	4.06	0 - 0.77
2.29 (90")	1.372	1.829	3.26	4.58	0 - 0.86
2.54 (100")	1.524	2.032	3.63	5.10	0 - 0.96
3.05 (120")	1.829	2.438	4.37	6.13	0 - 1.15
3.81 (150")	2.286	3.048	5.48	7.68	0 - 1.44
5.08 (200")	3.048	4.064	7.33	10.26	0 - 1.92
6.35 (250")	3.810	5.080	9.18	12.85	0 - 2.40
7.62 (300")	4.572	6.096	11.03	15.43	0 - 2.88
8.89 (350")	5.334	7.112	12.88	18.02	0 - 3.36
10.16 (400")	6.096	8.128	14.73	20.60	0 - 3.84
12.70 (500")	7.620	10.160	18.43	25.77	0 - 4.80
15.24 (600")	9.144	12.192	22.13	30.94	0 - 5.76

● PT-DX100

(Unit / Unités / 単位 : m)

When the screen aspect ratio is 4:3 Lorsque le rapport d'aspect de l'écran est 4:3 画面アスペクト比 4 : 3 のとき					
SD	SH	SW	L		H
			LW	LT	
1.27 (50")	0.762	1.016	1.78	2.51	0 - 0.38
1.52 (60")	0.914	1.219	2.15	3.03	0 - 0.46
1.78 (70")	1.067	1.422	2.52	3.55	0 - 0.53
2.03 (80")	1.219	1.626	2.89	4.06	0 - 0.61
2.29 (90")	1.372	1.829	3.26	4.58	0 - 0.69
2.54 (100")	1.524	2.032	3.63	5.10	0 - 0.76
3.05 (120")	1.829	2.438	4.37	6.13	0 - 0.91
3.81 (150")	2.286	3.048	5.48	7.68	0 - 1.14
5.08 (200")	3.048	4.064	7.33	10.26	0 - 1.52
6.35 (250")	3.810	5.080	9.18	12.85	0 - 1.91
7.62 (300")	4.572	6.096	11.03	15.43	0 - 2.29
8.89 (350")	5.334	7.112	12.88	18.02	0 - 2.67
10.16 (400")	6.096	8.128	14.73	20.60	0 - 3.05
12.70 (500")	7.620	10.160	18.43	25.77	0 - 3.81
15.24 (600")	9.144	12.192	22.13	30.94	0 - 4.57

Note

- A ±5 % error in listed projection distances may occur.
In addition, when [KEYSTONE] is used, distance is corrected to become smaller than the specified screen size.

Remarque

- Une erreur de ±5 % dans des distances de projection énumérées peut se produire.
En outre, lorsque [CORRECTION DE TRAPÈZE] est utilisé, la distance est corrigée pour devenir inférieure à la taille d'écran spécifiée.

お知らせ

- 記載の投写距離は± 5%以下の範囲内で誤差が発生します。
また、[台形補正] 使用時は、所定の画面サイズよりも小さくなる方向で補正されます。

Setting-up dimensions which are not given in the above table can be calculated using the formulas below. Check the projected image size SD (m) and use the following formula to determine projection distance (L).

La configuration des dimensions qui ne sont pas données dans le tableau ci-dessus peut être calculée à l'aide des formules suivantes. Vérifiez la taille de l'image projetée SD (m) et utilisez la formule suivante pour déterminer la distance de projection (L).

上記の表以外の投写寸法は次の計算式で求めることができます。画面対角サイズ SD (m) をご確認のうえ、それぞれの計算式で投写距離 (L) を求めてください。

- Projection distance formulas
- Formules de distance de projection
- 投写距離計算式

The dimensions of the following table contain a slight error. Periods are used to represent decimal points in the calculation formulas in the following table.

Les dimensions du tableau suivant peuvent présenter un léger écart. Les points sont utilisés pour indiquer les décimales dans les formules de calcul dans le tableau suivant.

次の表内の寸法は若干の誤差があります。

- **PT-RZ970 / PT-RZ770 / PT-RZ660 / PT-RZ670 / PT-DZ870 / PT-DZ780** (Unit / Unités / 単位 : m)

	L	
	LW	LT
When the screen aspect ratio is 16:10 Lorsque le rapport d'aspect de l'écran est 16:10 画面アスペクト比 16 : 10 のとき	=1.4906 × SD - 0.0746	=2.0814 × SD - 0.0725
When the screen aspect ratio is 16:9 Lorsque le rapport d'aspect de l'écran est 16:9 画面アスペクト比 16 : 9 のとき	=1.5320 × SD - 0.0746	=2.1393 × SD - 0.0725
When the screen aspect ratio is 4:3 Lorsque le rapport d'aspect de l'écran est 4:3 画面アスペクト比 4 : 3 のとき	=1.6874 × SD - 0.0746	=2.3563 × SD - 0.0725

- **PT-RW930 / PT-RW730 / PT-RW620 / PT-RW630 / PT-DW830 / PT-DW750** (Unit / Unités / 単位 : m)

	L	
	LW	LT
When the screen aspect ratio is 16:10 Lorsque le rapport d'aspect de l'écran est 16:10 画面アスペクト比 16 : 10 のとき	=1.5651 × SD - 0.0746	=2.1855 × SD - 0.0725
When the screen aspect ratio is 16:9 Lorsque le rapport d'aspect de l'écran est 16:9 画面アスペクト比 16 : 9 のとき	=1.6086 × SD - 0.0746	=2.2462 × SD - 0.0725
When the screen aspect ratio is 4:3 Lorsque le rapport d'aspect de l'écran est 4:3 画面アスペクト比 4 : 3 のとき	=1.7715 × SD - 0.0746	=2.4736 × SD - 0.0725

● PT-RX110 / PT-DX100 / PT-DX820

(Unit / Unités / 単位 : m)

	L	
	LW	LT
When the screen aspect ratio is 16:9 Lorsque le rapport d'aspect de l'écran est 16:9 画面アスペクト比 16 : 9 のとき	$=1.5875 \times SD - 0.0746$	$=2.2167 \times SD - 0.0725$
When the screen aspect ratio is 4:3 Lorsque le rapport d'aspect de l'écran est 4:3 画面アスペクト比 4 : 3 のとき	$=1.4571 \times SD - 0.0746$	$=2.0346 \times SD - 0.0725$

Panasonic Connect Co., Ltd.

Web Site : <https://panasonic.net/cns/projector/>

Panasonic Connect North America

Two Riverfront Plaza, Newark, NJ 07102

TEL: (877) 803 - 8492

Panasonic Canada Inc.

5770 Ambler Drive, Mississauga, Ontario L4W 2T3

TEL: (905) 624 - 5010

パナソニック コネクト株式会社

〒 571-8503 大阪府門真市松葉町 2 番 15 号 電話 ☎ 0120-872-601