

Description

This short throw zoom lens is designed for use with a Panasonic’s applicable projector. The lens makes it possible to vary the projection distance by changing the focal distance.

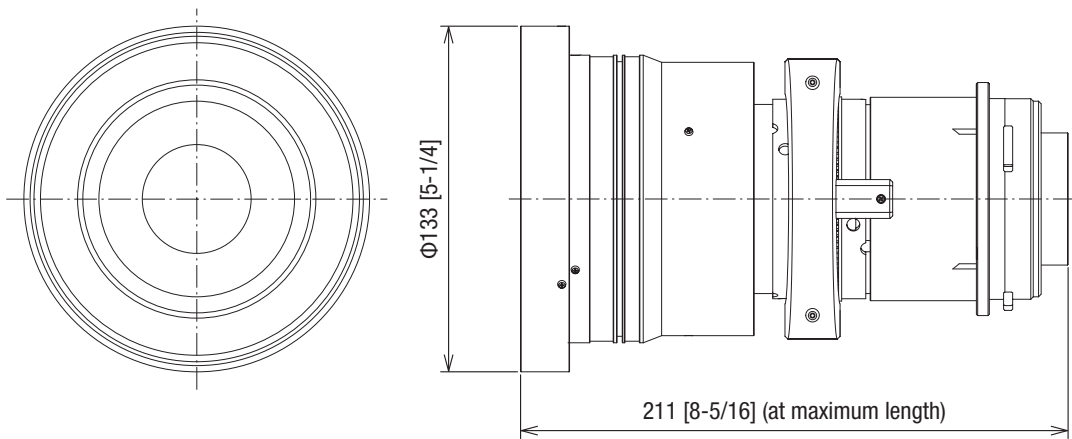
*Please use the lens only on the specified Panasonic projectors.

Specifications (Specifications are subject to change without notice.)

F value	2.0 ~ 2.4	
Focal distance (f)	13.27 mm ~ 16.56 mm	
Throw ratio	WUXGA 0.78 – 0.98:1 for PT-MZ770/MZ670/MZ570/EZ770Z (16:10 aspect ratio) WXGA 0.78 – 0.98:1 for PT-MW730/MW630/MW530/EW730Z (16:10 aspect ratio) XGA 0.8 – 1.0:1 for PT-EX800Z (4:3 aspect ratio)	
Dimensions	Width	133 mm [5-1/4 inch]
	Height	133 mm [5-1/4 inch]
	Depth	211 mm [8-5/16 inch] (at maximum length)
Weight	Approx. 1.20* kg (2.6* lbs)	
Applicable projector	[GROUP A] PT-EZ580 series : PT-EZ580/EZ580L/EW640/EW640L/EX610/EX610L/EW540/EW540L/EX510/EX510L PT-EZ770Z series : PT-EZ770Z/EZ770ZL/EW730Z/EW730ZL/EX800Z/EX800ZL [GROUP B] PT-MZ670 series : PT-MZ670/MZ670L/MZ570/MZ570L/MW630/MW630L/MW530/MW530L PT-MZ770 series : PT-MZ770/MZ770L/MW730/MW730L PT-MZ880 series : PT-MZ880/MZ780/MZ680 For these projectors see the individual spec files of the projectors.	

* Average value. May dif fer depending on the actual unit.

Dimensions



unit : mm [inch]
This illustration is not drawn to scale.

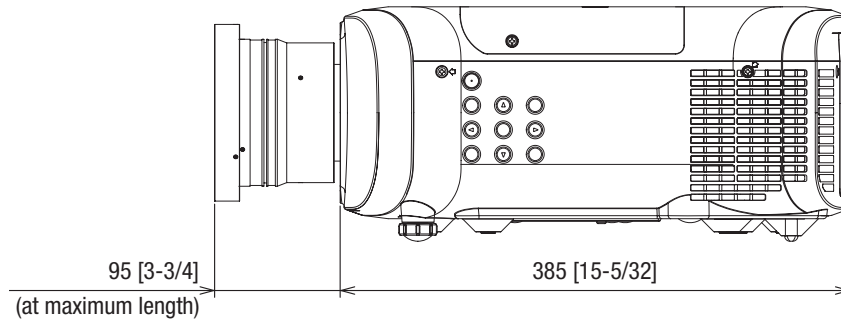
Short throw zoom lens

The illustration shows the lens attached to the projector.

[GROUP A]

PT-EZ580 series : PT-EZ580/EZ580L/EW640/EW640L/EX610/EX610L/EW540/EW540L/EX510/EX510L

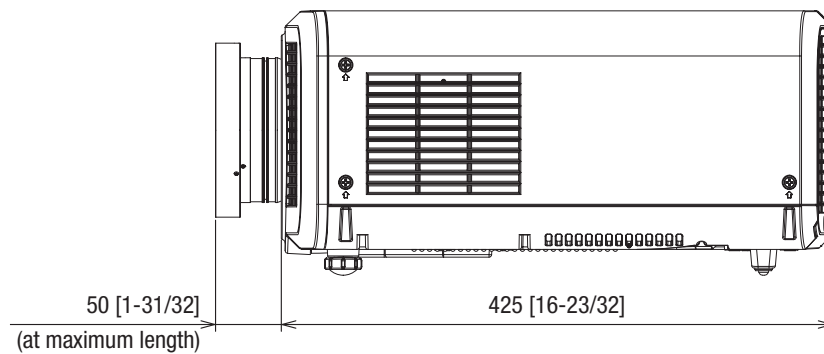
PT-EZ770Z series : PT-EZ770Z/EZ770ZL/EW730Z/EW730ZL/EX800Z/EX800ZL



[GROUP B]

PT-MZ670 series : PT-MZ670/MZ670L/MZ570/MZ570L/MW630/MW630L/MW530/MW530L

PT-MZ770 series : PT-MZ770/MZ770L/MW730/MW730L



unit : mm [inch]
This illustration is not drawn to scale.

Note

- Please read the projector's instruction manual for throw distances.