

Specifications

Main unit

Power supply		Single Phase AC100 V-120 V/Single Phase AC200 V-240 V, 50/60 Hz *The light output will decrease to approximately 1/3 when using the projector with AC 100 V to AC 120 V.	
Power consumption ¹	Maximum power consumption		2450 W
	Operation mode	[NORMAL]	2010 W
		[ECO]	1590 W
		[QUIET]	1310 W
	Standby mode power consumption		13 W
Shutter		260 W	
BTU value		Max 8,371 BTU	
DLP™ chip	size	[0.96 in] diagonal (16:10 aspect ratio)	
	Display system	DLP™ chip x 3, DLP™ projection system	
	Number of pixels	2,304,000 pixels (1920 x 1200 dots) x 3	
Refresh rate		120Hz Refresh rate varies depending on scanning frequency.	
Light source		Laser diodes	
Light output ^{1,3}	Operation mode	[NORMAL]	30,500 lm/32,000 lm(Center) ²
		[ECO]	24,000 lm
		[QUIET]	20,000 lm
	Time until light output declines to 50% ⁴	Operation mode	[NORMAL]
		[ECO]	24,000 hours
		[QUIET]	26,000 hours
Resolution		1920 x 1200 pixels	
Contrast ratio ¹		20,000:1 (Full On/Full Off, Dynamic Contrast [3])	
Screen size (diagonal)		1.78-25.40 m [70-1000 in] 1.78-15.24 m [70-600 in] (with ET-D75LE8, ET-D3LET80) 5.08-15.24 m [200-600 in] (with ET-D3LEW201, ET-D3LEW200, ET-D3LEU101, ET-D3LEU100) 3.05-15.24 m [120-600 in] (with ET-D75LE95)	
Center to corner zone ratio ¹		90%	
Lens		Optional (no lens included with this model)	
Lens shift (From the origin point of the lens mounter)	Vertical	±55% ±44% (with ET-D3LEW60, ET-D3LEW600, ET-D75LE6) +68%, +78% (with ET-D75LE95) ±55% (with ET-D3LEU101, ET-D3LEU100) ±48% (with ET-D3LEW201, ET-D3LEW200) ±44% (with ET-D3LEW300)	
	Horizontal	±20% ±15% (with ET-D3LEW60, ET-D3LEW600, ET-D75LE6) ±12% (with ET-D75LE95) 0, +25% (with ET-D3LEU101, ET-D3LEU100) ±15% (with ET-D3LEW201, ET-D3LEW200) ±15% (with ET-D3LEW300)	
Installation		Ceiling/floor, front/rear, free 360-degree installation	
Compatible Signal	HDMI™ signal input	Moving image signal resolution: 480/60p, 576/50p to 4096 x 2160/60p Still image signal resolution: 640 x 480 to 3840 x 2400 (non-interlace) Dot clock frequency: 25 MHz to 594 MHz	
	DVI-D signal input	Moving image signal resolution: 480/60p, 576/50p to 2048 x 1080/60p Still image signal resolution: 640 x 480 to 1920 x 1200 (non-interlace) Dot clock frequency: 25 MHz to 162 MHz	
	DIGITAL LINK signal input	Moving image signal resolution: 480/60p, 576/50p to 4096 x 2160/60p Still image signal resolution: 640 x 480 to 3840 x 2400 (non-interlace) Dot clock frequency: 25 MHz to 297 MHz	
	SDI signal input	HD-SDI signal 3G-SDI signal 6G-SDI signal 12G-SDI signal	
	DisplayPort ⁵ signal input	Moving image signal resolution: 720/50p to 4096 x 2160/60p Still image signal resolution: 640 x 480 to 3840 x 2400 (non-interlace) Dot clock frequency: 25 MHz to 594 MHz	
	SDI Optical ⁶ signal input	Single link HD-SDI signal SMPTE ST 292 compliant Single link 3G-SDI signal SMPTE ST 424, 425-2 compliant Single link 6G-SDI signal SMPTE ST 2081-1, 2081-10 compliant Single link 12G-SDI signal SMPTE ST 2082-1, 2082-10 compliant	

Terminals	<HDMI™ IN>	HDMI™ x 1 HDCP 2.2 compatible, Deep Color compatible
	<DVI-D IN>	DVI-D 24 p x 1 single link, DVI 1.0 compliant, HDCP compatible
	<DIGITAL LINK>	RJ-45 x 1 for network and DIGITAL LINK connections (HDBase™ compliant), PLink™ (class 2) compatible, 100Base-TX, Art-Net compatible, HDCP 2.2 compatible, Deep Color compatible
	<SDI IN>	BNC x 1
	<MULTI PROJECTOR SYNC IN/ 3D SYNC 1 IN/OUT (dual purpose)>	BNC x 1 TTL high impedance When [3D SYNC MODE] is set to output, TTL output: Maximum 10 mA
	<MULTI PROJECTOR SYNC OUT/ 3D SYNC 2 OUT (dual purpose)>	BNC x 1 TTL output: Maximum 10 mA
	<SERIAL IN>	D-sub 9-pin (female) x 1 for external control (RS-232C compliant)
	<SERIAL OUT>	D-sub 9-pin (male) x 1 for external control (RS-232C compliant)
	<REMOTE 1 IN>	M3 stereo mini jack x 1 for wired remote control/ for projector connection control
	<REMOTE 1 OUT>	M3 stereo mini jack x 1 for wired remote control/ for projector connection control
	<REMOTE 2 IN>	D-sub 9-pin (female) x 1 for contact control
	<LAN>	RJ-45 x 1 for network connection, PLink™ (class 2) compatible, 10Base-T/100Base-TX, Art-Net compatible
	<USB>	USB connector (type A) x 1 for optional AJ-WM50 Series Wireless Module/USB memory stick
	<DC OUT 1 / DC OUT 2>	USB connector (type A) x 2 for power supply only (DC 5 V, 2 A total for two terminals)
	<SLOT>	SLOT x 1 SLOT NX specification, for installing the Interface Board
Power cord length		3.0 m [9 ft 10 in]
Cabinet materials		Molded plastic
Dimension	Width	598 mm [23 17/32 in] (excluding protrusions)
	Height	353 mm [13 29/32 in] (excluding protrusions)
	Depth	780 mm [30 23/32 in] (excluding protrusions)
Weight ⁷		Approx. 68.6 kg (152 lbs.)
Operating noise ¹	[NORMAL]	49 dB
	[ECO]	49 dB
	[QUIET]	46 dB
Laser Classification	Laser Class	USA and Canada: Class 3R (IEC 60825-1:2007) Other countries or regions: Class 1 (IEC/EN 60825-1:2014)
	Risk Group	Risk Group 3 (IEC 62471-5:2015)
Operating environment	Operating temperature	0-45 °C (32-113 °F) ⁸
	Operating humidity	10-80 % (no condensation)

Remote control unit

Power supply		3 V DC (AA/R6/LR6 battery x 2)
Operation range		Approx. 30 m [98 ft 5 in] (when operated directly in front of signal receiver)
Dimensions	Width	47.5 mm [1 7/8 in]
	Height	181.5 mm [7 5/32 in]
	Depth	27.5 mm [1 3/32 in]
Weight		Approx. 150 g (5.3 ozs) (including batteries)

Supplied accessories

Power cord⁹
 Lens hole cover (x1)
 Wireless/wired remote control unit (x1)
 Batteries for remote control (AA/R6 or AA/LR6 battery x 2)
 Lens fixing screw (x1)

Other Applications

Logo Transfer Software (for Windows)
 Multi Monitoring & Control Software (for Windows)
 Geometry Manager Pro (for Windows)
 Smart Projector Control (for iOS/Android™)

Optional accessories

Lens	Fixed-Focus Lens	ET-D3LEU101/ET-D3LEU100 (0.370:1)	
		ET-D3LEW50 (0.694:1)	
		ET-D75LE95 (0.364:1)	
	Zoom lens	Zoom lens	ET-D3LEF70
			ET-D3LEW201/ET-D3LEW200 (0.645-0.850:1)
			ET-D3LEW300 (0.770-0.933:1)
			ET-D3LEW60/ET-D75LE6 (0.924-1.10:1)
			ET-D3LEW600 (0.924-1.28:1)
			ET-D3LEW10 (1.26-1.72:1)
			ET-D75LE10 (1.30-1.67:1)
			ET-D3LES20/ET-D75LE20 (1.67-2.41:1)
			ET-D3LET30/ET-D75LE30 (2.40-4.66:1)
			ET-D3LET40 (4.61-7.41:1)
ET-D75LE40 (4.62-7.38:1)			
ET-D3LET80/ET-D75LE8 (7.34-13.8:1)			
Stepping Motor Kit		ET-D75MKS10	
Lens Fixed Attachment		ET-PLF10/ET-PLF20	
Interface Board	HDMI™ Input (Input x 2)	ET-MDNHM10 (HDCP2.2)	
	DVI Input (Input x 2)	ET-MDNDV10	
	Display Port (Input x 2)	ET-MDNDP10	
	12G-SDI Input (Input x 2, Input / Output x 2)	ET-MDN12G10	
	12G-SDI Optical (Input x 1, Input / Output x 1)	ET-MDNFB10	
DIGITAL LINK Switcher		ET-YFB200G	
Wireless module		AJ-WM50 Series Note: The operating environment temperature should be between 0 °C (32°F) and 40 °C (104°F) when the optional Wireless Module (Model No.: AJ-WM50 Series) is attached.	
Media Processors	Box-type	ET-FMP50/ET-FMP20	

Weights and dimensions shown are approximate. Specifications subject to change without notice.

1 Measurement, measuring conditions, and method of notation all comply with ISO/IEC 21118: 2020 international standards.

2 Average light-output value of all shipped products measured at center of screen in [NORMAL] Mode.

3 When a projection lens other than ET-D75LE95 is attached and the power supply voltage is AC 200 V.

4 Around this time, light output will have decreased by approximately 50%. Dynamic Contrast [3], under conditions with 35°C (95°F), 700m (2297ft) above sea level, and 0.15mg/m³ of particulate matter. Estimated time until light output declines to 50% varies depending on environment.

5 This is supported when the optional Interface Board for DisplayPort 2 input (Model No.: ET-MDNDP10) is installed in the slot.

6 This is supported when the optional Interface Board for 12G-SDI optical input (Model No.: ET-MDNFB10) is installed in the slot.

7 Average value. May differ depending on the actual unit.

8 The operating environment temperature should be between 0°C (32°F) and 40°C (104°F) if the projector is used at an altitude between 1400m (4593ft) and 4200m (13780ft) above sea level. Note that altitude of 4200m (13780ft) above sea level is the maximum height that the performance of this projector is guaranteed.

The operating environment temperature should be between 0°C (32°F) and 40°C (104°F) when the optional Wireless Module (Model No.: AJ-WM50 Series) is attached. The operating environment temperature should be between 0°C (32°F) and 40°C (104°F) if the projector is used at an altitude between 1400m (4593ft) and 4200m (13780ft) above sea level.

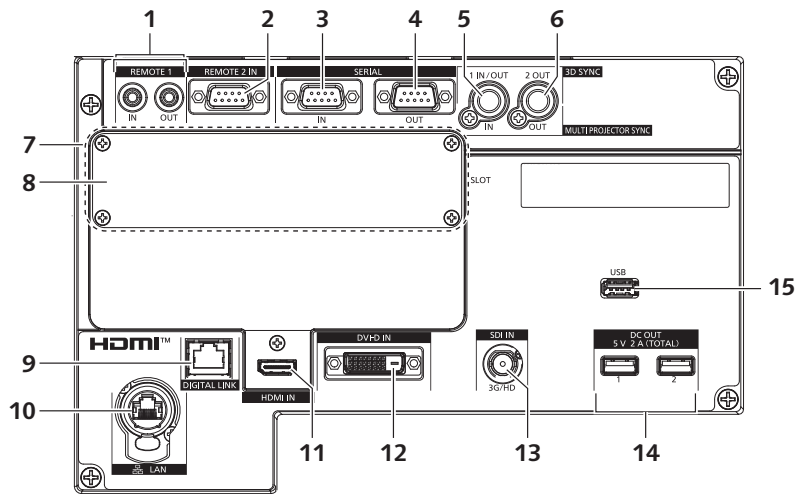
When using the projector at an altitude lower than 2700m (8858ft) above sea level, and the operating environment temperature becomes 35°C (95°F) or higher, the light output may be reduced to protect the projector. When using the projector at an altitude between 2700m (8858ft) and 4200m (13780ft), and the operating environment temperature becomes 25°C (77°F) or higher, the light output may be reduced to protect the projector.

9 The type and number of the supplied power cords vary depending on the country or region where you purchased the product.

Note

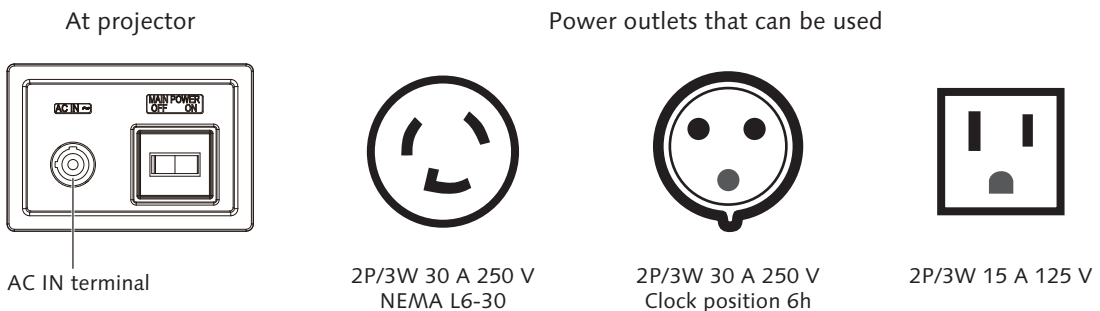
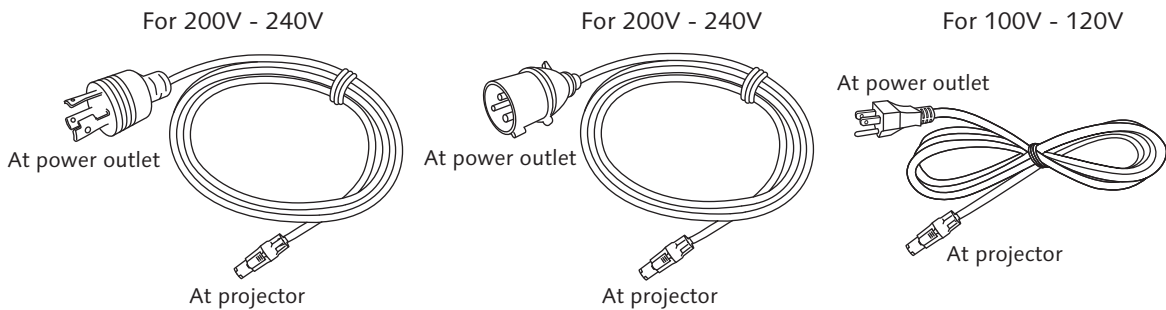
- The Fixed-focus Lens (Model No.: ET-D75LE50) (production discontinued) can also be used.

Terminals



1	REMOTE 1 IN / REMOTE 1 OUT	9	DIGITAL LINK
2	REMOTE 2 IN	10	LAN
3	SERIAL IN	11	HDMI
4	SERIAL OUT	12	DVI-D IN
5	MULTI PROJECTOR SYNC IN / 3D SYNC 1 IN/OUT	13	SDI IN
6	MULTI PROJECTOR SYNC OUT / 3D SYNC 2 OUT	14	DC OUT 1 / DC OUT 2
7	SLOT	15	USB
8	SLOT Cover		

Power cord



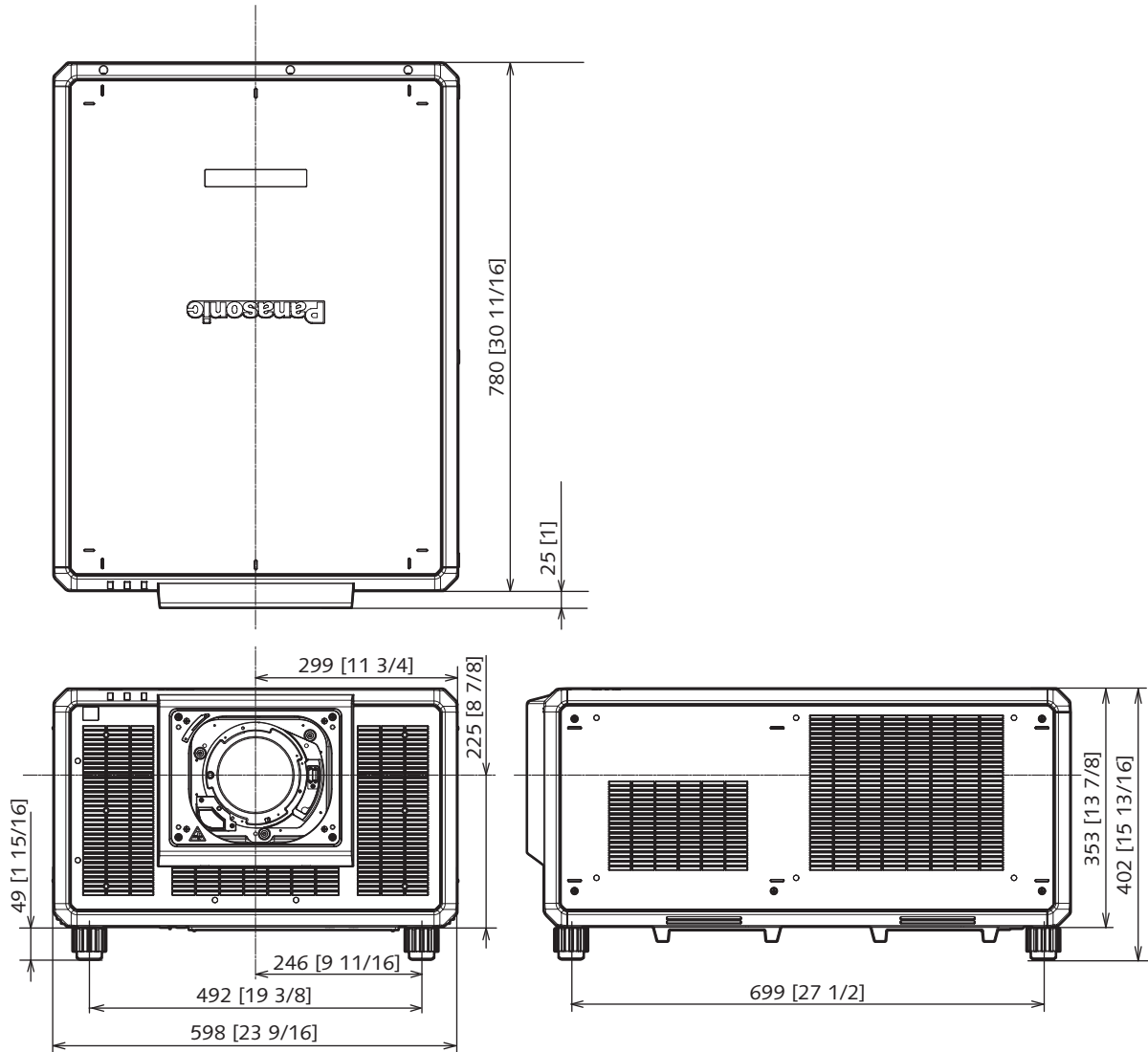
- This projector supports AC 100 V to AC 120 V, and AC 200 V to AC 240 V as the power supply. A grounded outlet supporting 30 A is required when using the projector with AC 200 V to AC 240 V. A grounded outlet supporting 15 A is required when using the projector with AC 100 V to AC 120 V.
- The shape of the usable outlet differs depending on the power supply. Following illustrations are examples.

Note

- The light output will decrease to approximately 1/3 when using the projector with AC 100 V to AC 120 V.
- The supplied power cords vary depending on the country or region where you purchased the product.

Dimensions

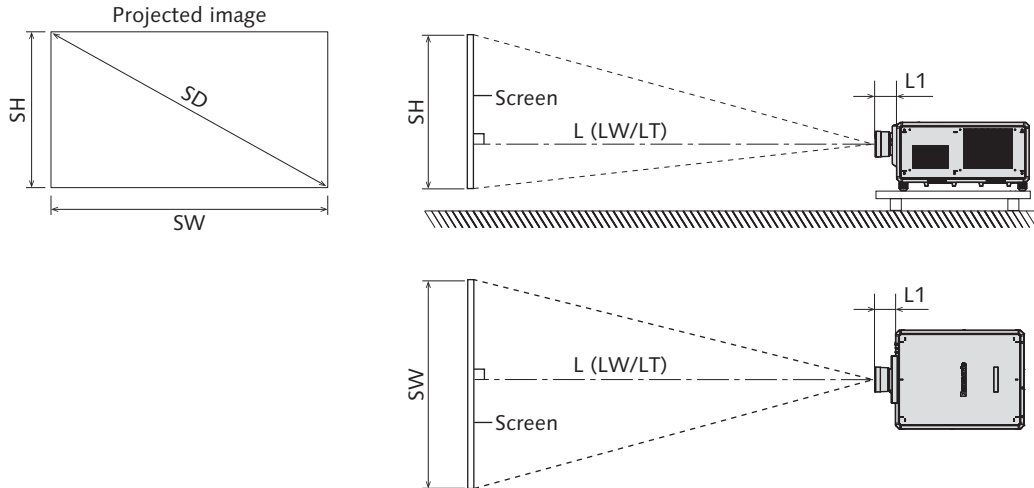
unit : mm [inch]
 NOTE: This illustration is not drawn to scale.



Projection relationship diagram

(All lenses excluding ET-D3LEU101, ET-D3LEU100, ET-D3LEW201, ET-D3LEW200, ET-D75LE95)

Install the projector referring to the projected image size, projection distance, etc. Image size and image position can be adjusted in accordance with the screen size and screen position. When the Zoom lens (Model No.: ET-D3LEW201, ET-D3LEW200) Fixed-focus Lens (Model No.: ET-D75LE95, ET-D3LEU101, ET-D3LEU100,) or the Fisheye Lens (Model No.: ET-D3LEF70) is used, the projection relation between the screen and the projector differs from that of other lenses.



Note

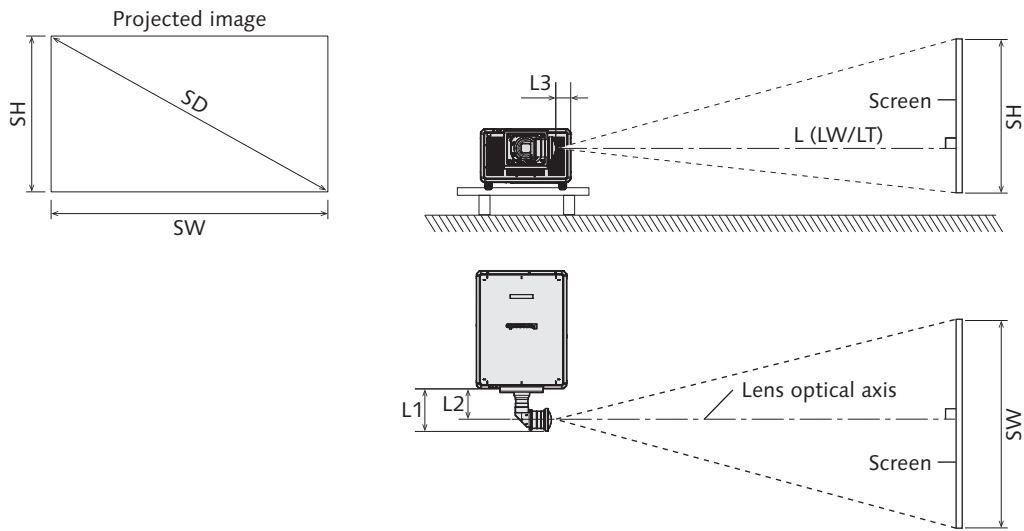
- This diagram assumes that the size and position of the projected image will be adjusted so that the image fits the entire screen.
- This illustration is not drawn to scale.
- The values are approximate.

SH	Projected image height
SW	Projected image width
SD	Projected image size
L	Projection distance
LW	Minimum projection distance when the Zoom Lens is used
LT	Maximum projection distance when the Zoom Lens is used
L1	Distance from front of projector to edge of lens

unit : m

Projection lens Model No.	Lens protrusion dimensions (L1)
ET-D3LEW300	0.273
ET-D3LEW10	0.210
ET-D75LE10	0.125
ET-D3LES20/ET-D75LE20	0.121
ET-D3LET30	0.180
ET-D75LE30	0.121
ET-D3LET40	0.130
ET-D75LE40	0.124
ET-D3LEW50/ET-D75LE50	0.203
ET-D3LEW60/ET-D75LE6	0.212
ET-D3LEW600	0.232
ET-D3LET80/ET-D75LE8	0.262

Projection relationship diagram
(ET-D3LEU101,ET-D3LEU100, ET-D3LEW201, ET-D3LEW200)



Note

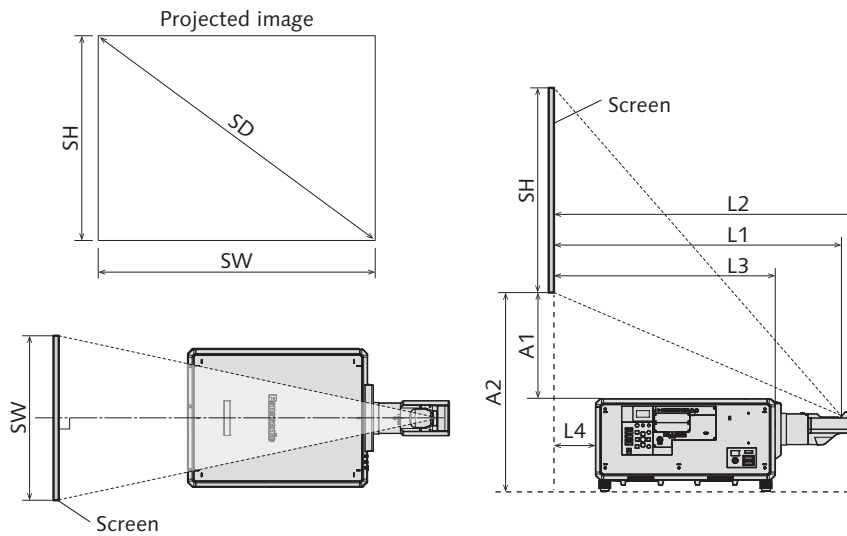
- This diagram assumes that the size and position of the projected image will be adjusted so that the image fills the entire screen.
- This illustration is not drawn to scale.
- The values are approximate.

SH	Projected image height
SW	Projected image width
SD	Projected image size
L	Projection distance
LW	Minimum projection distance when the Zoom Lens is used
LT	Maximum projection distance when the Zoom Lens is used
L1	Distance from front of projector to edge of lens
L2	Distance from front of projector to center of lens
L3	Distance from side of projector to center of lens

unit : m

Projection lens Model No.	Lens protrusion dimension (L1)	Position of the lens optical axis (L2)	Position of the lens apex (L3)
ET-D3LEU101/ET-D3LEU100	0.29	0.21	0.10
ET-D3LEW201/ET-D3LEW200	0.35	0.26	0.13

Projection relationship diagram
(ET-D75LE95)



Note

- This diagram assumes that the size and position of the projected image will be adjusted so that the image fits the entire screen.
- This illustration is not drawn to scale.

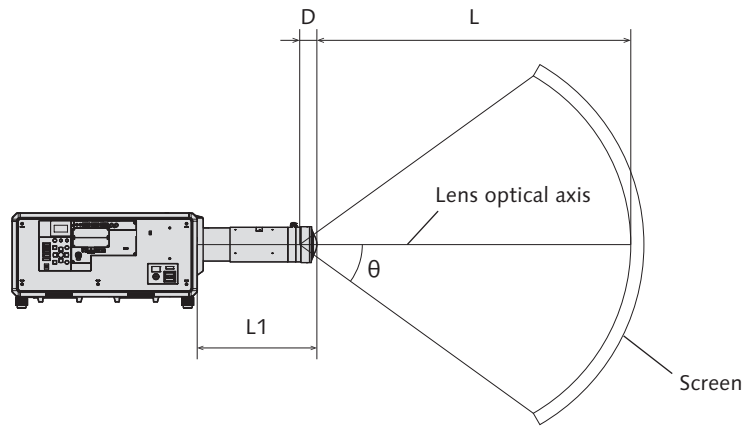
SH	Projected image height
SW	Projected image width
SD	Projected image size
L1	Projection distance (from the screen to the mirror reflection surface ¹)
L2	Distance between the projector and the screen (from the screen to the tip of the lens)
L3	Distance between the projector and the screen (from the screen to the front surface of the projector)
L4	Distance between the projector and the screen (from the screen to the rear surface of the projector)
A1	Distance between the projector and the screen (from the screen bottom edge to the projector top)
A2	Distance between the projector and the screen (from the screen bottom edge to the projector bottom)

¹ The mirror reflection surface cannot be seen from the outside, because it is located inside the Fixed-focus Lens.

unit : m

Distance from the projector to the screen	Formula
L2	= L1 + 0.029
L3	= L1 - 0.292
L4	= L1 - 1.072
A2	= A1 + 0.402

**Projection relationship diagram
(ET-D3LEF70)**



Note

- This diagram assumes that the size and position of the projected image will be adjusted so that the image fits the entire screen.
- This illustration is not drawn to scale.
- The values are approximate.

L	Projection distance (From the front of the lens to the screen)
L1	Distance from front of projector to edge of lens
θ	Projected angle
D	Exit pupil position

unit : m

Projection distance (L) range (m)	2 - ∞
L1 dimension	0.385
Exit pupil position (D) formula	$= -10^{-8} \times \theta^3 - 3 \times 10^{-7} \times \theta^2 - 1.73 \times 10^{-5} \times \theta + 0.02342$

Projected angle (θ) (degrees)	Exit pupil position (D) (m) ¹
10	0.0232
20	0.0229
30	0.0224
40	0.0216
50	0.0206
60	0.0191
70	0.0173
80	0.0150
91.6	0.0116

¹ There may be slight discrepancies in the exit pupil positions.

Projection distance

A ±5% error in listed projection distances may occur.

When [GEOMETRY] is used, distance is corrected to become smaller than the specified image size.

Screen aspect ratio 16:10

Unit: meters

Lens type			Zoom lens																			
Projection lens Model No.			ET-D3LEW201 ¹ ET-D3LEW200 ¹		ET-D3LEW300		ET-D3LEW60 ET-D75LE6		ET-D3LEW600		ET-D3LEW10		ET-D75LE10		ET-D3LES20 ET-D75LE20		ET-D3LET30		ET-D75LE30			
Throw ratio ²			0.645-0.850:1		0.770-0.933:1		0.924-1.10:1		0.924-1.28:1		1.26-1.72:1		1.30-1.67:1		1.67-2.41:1		2.40-4.66:1		2.40-4.66:1			
Projection screen size			Projection distance (L)																			
Diagonal (SD)	Height (SH)	Width (SW)	Min. (LW)		Max. (LT)		Min. (LW)		Max. (LT)		Min. (LW)		Max. (LT)		Min. (LW)		Max. (LT)		Min. (LW)		Max. (LT)	
			m	inches																		
1.778	70	0.942	1.508	-	-	1.15	1.40	1.36	1.63	1.35	1.87	1.85	2.54	1.90	2.46	2.46	3.58	3.54	6.94	3.56	6.94	
2.032	80	1.077	1.723	-	-	1.31	1.60	1.56	1.87	1.55	2.16	2.13	2.92	2.19	2.83	2.82	4.11	4.06	7.96	4.08	7.96	
2.286	90	1.212	1.939	-	-	1.48	1.80	1.77	2.11	1.76	2.44	2.40	3.30	2.47	3.20	3.19	4.64	4.59	8.97	4.61	8.98	
2.540	100	1.346	2.154	-	-	1.65	2.00	1.97	2.35	1.96	2.73	2.68	3.68	2.76	3.56	3.55	5.17	5.11	9.99	5.13	9.99	
3.048	120	1.615	2.585	-	-	1.98	2.41	2.38	2.84	2.37	3.30	3.23	4.43	3.32	4.30	4.28	6.22	6.16	12.03	6.18	12.03	
3.810	150	2.019	3.231	-	-	2.49	3.02	2.98	3.57	2.99	4.15	4.06	5.57	4.18	5.40	5.37	7.81	7.73	15.08	7.75	15.08	
5.080	200	2.692	4.308	2.78	3.66	3.32	4.03	4.00	4.78	4.01	5.58	5.44	7.45	5.60	7.24	7.19	10.45	10.34	20.17	10.38	20.16	
6.350	250	3.365	5.385	3.50	4.61	4.16	5.04	5.01	6.00	5.03	7.00	6.83	9.34	7.02	9.07	9.00	13.09	12.96	25.26	13.00	25.25	
7.620	300	4.039	6.462	4.22	5.55	5.00	6.05	6.02	7.21	6.05	8.42	8.21	11.23	8.44	10.91	10.82	15.73	15.58	30.35	15.62	30.34	
8.890	350	4.712	7.539	4.94	6.49	5.83	7.07	7.04	8.42	7.08	9.85	9.59	13.12	9.86	12.74	12.64	18.37	18.20	35.45	18.24	35.42	
10.160	400	5.385	8.616	5.66	7.44	6.67	8.08	8.05	9.64	8.10	11.27	10.97	15.01	11.28	14.58	14.46	21.01	20.81	40.54	20.86	40.51	
12.700	500	6.731	10.770	7.09	9.32	8.35	10.11	10.08	12.07	10.15	14.12	13.74	18.79	14.12	18.25	18.09	26.29	26.05	50.72	26.11	50.68	
15.240	600	8.077	12.923	8.53	11.21	10.02	12.13	12.10	14.49	12.19	16.96	16.50	22.57	16.96	21.92	21.73	31.58	31.28	60.90	31.35	60.85	
17.780	700	9.423	15.077	-	-	11.70	14.16	14.13	16.92	14.24	19.81	19.27	26.35	19.80	25.60	25.36	36.86	36.52	71.08	36.60	71.02	
20.320	800	10.770	17.231	-	-	13.37	16.18	16.16	19.35	16.28	22.66	22.03	30.13	22.64	29.27	29.00	42.14	41.75	81.26	41.84	81.19	
22.860	900	12.116	19.385	-	-	15.05	18.21	18.18	21.78	18.33	25.51	24.80	33.90	25.48	32.94	32.63	47.42	46.99	91.44	47.09	91.36	
25.400	1000	13.462	21.539	-	-	16.72	20.24	20.21	24.21	20.37	28.35	27.56	37.68	28.33	36.61	36.27	52.70	52.22	101.62	52.33	101.53	

Lens type			Zoom lens								Fixed-Focus Lens				
Projection lens Model No.			ET-D3LET40		ET-D75LE40		ET-D3LET80 ET-D75LE8		ET-D3LEU101 ¹ ET-D3LEU100 ¹		ET-D3LEW50 ET-D75LE50		ET-D75LE95 ¹		
Throw ratio ²			4.61-7.41:1		4.62-7.38:1		7.34-13.8:1		0.370:1		0.694:1		0.364:1		
Projection screen size			Projection distance (L)										Projection distance (L1)	Distance between the projector and the screen	
Diagonal (SD)	Height (SH)	Width (SW)	Min. (LW)		Max. (LT)		Min. (LW)		Max. (LT)		Fixed	Fixed		(L4)	(A1)
			m	inches											
1.778	70	0.942	1.508	6.86	11.08	6.87	11.04	10.85	20.69	-	1.01	-	-	-	
2.032	80	1.077	1.723	7.86	12.68	7.88	12.65	12.45	23.70	-	1.16	-	-	-	
2.286	90	1.212	1.939	8.86	14.29	8.88	14.25	14.06	26.71	-	1.32	-	-	-	
2.540	100	1.346	2.154	9.87	15.90	9.88	15.85	15.66	29.71	-	1.47	-	-	-	
3.048	120	1.615	2.585	11.87	19.12	11.89	19.05	18.88	35.73	-	1.78	0.94	-0.13	0.17-0.33	
3.810	150	2.019	3.231	14.88	23.94	14.90	23.85	23.69	44.75	-	2.24	1.18	0.10	0.24-0.44	
5.080	200	2.692	4.308	19.90	31.99	19.92	31.86	31.72	59.79	1.59	3.01	1.56	0.49	0.37-0.63	
6.350	250	3.365	5.385	24.92	40.03	24.95	39.86	39.74	74.82	2.01	3.78	1.95	0.87	0.49-0.82	
7.620	300	4.039	6.462	29.93	48.07	29.97	47.87	47.77	89.86	2.42	4.56	2.33	1.26	0.62-1.02	
8.890	350	4.712	7.539	34.95	56.12	34.99	55.87	55.79	104.90	2.84	5.33	2.72	1.64	0.74-1.21	
10.160	400	5.385	8.616	39.97	64.16	40.01	63.87	63.82	119.94	3.25	6.10	3.10	2.03	0.86-1.40	
12.700	500	6.731	10.770	50.00	80.24	50.05	79.88	79.87	150.01	4.08	7.64	3.87	2.80	1.11-1.78	
15.240	600	8.077	12.923	60.03	96.33	60.09	95.89	95.92	180.08	4.91	9.18	4.64	3.57	1.36-2.16	
17.780	700	9.423	15.077	70.07	112.42	70.13	111.90	111.97	-	-	10.72	-	-	-	
20.320	800	10.770	17.231	80.10	128.50	80.17	127.91	128.02	-	-	12.27	-	-	-	
22.860	900	12.116	19.385	90.14	144.59	90.21	143.92	144.07	-	-	13.81	-	-	-	
25.400	1000	13.462	21.539	100.17	160.67	100.25	159.93	160.13	-	-	15.35	-	-	-	

1 When the Zoom lens (Model No.: ET-D3LEW201, ET-D3LEW200) Fixed-focus Lens (Model No.: ET-D75LE95, ET-D3LEU101, ET-D3LEU100) or the Fisheye Lens (Model No.: ET-D3LEF70) is used, the projection relation between the screen and the projector differs from that of other lenses.

2 The throw ratio is based on the value during projection with the projected image size of 150 in.

Screen aspect ratio 16:10

Unit: feet

Lens type		Zoom lens																				
Projection lens Model No.		ET-D3LEW201 ¹ ET-D3LEW200 ¹	ET-D3LEW300	ET-D3LEW60 ET-D75LE6	ET-D3LEW600	ET-D3LEW10	ET-D75LE10	ET-D3LES20 ET-D75LE20	ET-D3LET30	ET-D75LE30												
Throw ratio ²		0.645-0.850:1	0.770-0.933:1	0.924-1.10:1	0.924-1.28:1	1.26-1.72:1	1.30-1.67:1	1.67-2.41:1	2.40-4.66:1	2.40-4.66:1												
Projection screen size			Projection distance (L)																			
Diagonal (SD)	Height (SH)	Width (SW)	Min. (LW)	Max. (LT)	Min. (LW)	Max. (LT)	Min. (LW)	Max. (LT)	Min. (LW)	Max. (LT)	Min. (LW)	Max. (LT)	Min. (LW)	Max. (LT)	Min. (LW)	Max. (LT)	Min. (LW)	Max. (LT)	Min. (LW)	Max. (LT)	Min. (LW)	Max. (LT)
1.778	70	0.942	1.508	-	-	3.77	4.59	4.46	5.35	4.42	6.15	6.07	8.33	6.23	8.07	8.07	11.75	11.61	22.77	11.68	22.77	
2.032	80	1.077	1.723	-	-	4.30	5.25	5.12	6.14	5.10	7.08	6.99	9.58	7.18	9.28	9.25	13.48	13.32	26.12	13.39	26.12	
2.286	90	1.212	1.939	-	-	4.86	5.91	5.81	6.92	5.77	8.02	7.87	10.83	8.10	10.50	10.47	15.22	15.06	29.43	15.12	29.46	
2.540	100	1.346	2.154	-	-	5.41	6.56	6.46	7.71	6.44	8.95	8.79	12.07	9.06	11.68	11.65	16.96	16.76	32.78	16.83	32.78	
3.048	120	1.615	2.585	-	-	6.50	7.91	7.81	9.32	7.78	10.82	10.60	14.53	10.89	14.11	14.04	20.41	20.21	39.47	20.28	39.47	
3.810	150	2.019	3.231	-	-	8.17	9.91	9.78	11.71	9.79	13.62	13.32	18.27	13.71	17.72	17.62	25.62	25.36	49.47	25.43	49.47	
5.080	200	2.692	4.308	9.12	12.01	10.89	13.22	13.12	15.68	13.15	18.29	17.85	24.44	18.37	23.75	23.59	34.28	33.92	66.17	34.05	66.14	
6.350	250	3.365	5.385	11.48	15.12	13.65	16.54	16.44	19.68	16.51	22.96	22.41	30.64	23.03	29.76	29.53	42.95	42.52	82.87	42.65	82.84	
7.620	300	4.039	6.462	13.84	18.21	16.40	19.85	19.75	23.65	19.86	27.63	26.94	36.84	27.69	35.79	35.50	51.61	51.11	99.57	51.25	99.54	
8.890	350	4.712	7.539	16.21	21.29	19.13	23.20	23.10	27.62	23.22	32.30	31.46	43.04	32.35	41.80	41.47	60.27	59.71	116.30	59.84	116.21	
10.160	400	5.385	8.616	18.57	24.41	21.88	26.51	26.41	31.63	26.57	36.97	35.99	49.24	37.01	47.83	47.44	68.93	68.27	133.00	68.44	132.91	
12.700	500	6.731	10.770	23.26	30.58	27.39	33.17	33.07	39.60	33.28	46.32	45.08	61.65	46.32	59.87	59.35	86.25	85.46	166.40	85.66	166.27	
15.240	600	8.077	12.923	27.99	36.78	32.87	39.80	39.70	47.54	40.00	55.66	54.13	74.05	55.64	71.92	71.29	103.61	102.62	199.80	102.85	199.64	
17.780	700	9.423	15.077	-	-	38.39	46.46	46.36	55.51	46.71	65.00	63.22	86.45	64.96	83.99	83.20	120.93	119.81	233.20	120.08	233.00	
20.320	800	10.770	17.231	-	-	43.86	53.08	53.02	63.48	53.42	74.34	72.28	98.85	74.28	96.03	95.14	138.25	136.97	266.60	137.27	266.37	
22.860	900	12.116	19.385	-	-	49.38	59.74	59.64	71.46	60.13	83.68	81.36	111.22	83.59	108.07	107.05	155.58	154.16	300.00	154.49	299.73	
25.400	1000	13.462	21.539	-	-	54.85	66.40	66.30	79.43	66.84	93.02	90.42	123.62	92.95	120.11	118.99	172.90	171.32	333.39	171.68	333.10	

Lens type		Zoom lens								Fixed-Focus Lens				
Projection lens Model No.		ET-D3LET40	ET-D75LE40	ET-D3LET80 ET-D75LE8	ET-D3LEU101 ¹ ET-D3LEU100 ¹	ET-D3LEW50 ET-D75LE50	ET-D75LE95 ¹							
Throw ratio ²		4.61-7.41:1	4.62-7.38:1	7.34-13.8:1	0.370:1	0.694:1	0.364:1							
Projection screen size			Projection distance (L)								Projection distance (L1)	Distance between the projector and the screen		
Diagonal (SD)	Height (SH)	Width (SW)	Min. (LW)	Max. (LT)	Min. (LW)	Max. (LT)	Min. (LW)	Max. (LT)	Fixed	Fixed		(L4)	(A1)	
m	inches													
1.778	70	0.942	1.508	22.51	36.35	22.54	36.22	35.60	67.88	-	3.31	-	-	-
2.032	80	1.077	1.723	25.79	41.60	25.85	41.50	40.85	77.75	-	3.81	-	-	-
2.286	90	1.212	1.939	29.07	46.88	29.13	46.75	46.13	87.63	-	4.33	-	-	-
2.540	100	1.346	2.154	32.38	52.16	32.41	52.00	51.38	97.47	-	4.82	-	-	-
3.048	120	1.615	2.585	38.94	62.73	39.01	62.50	61.94	117.22	-	5.84	3.08	-0.43	0.56-1.08
3.810	150	2.019	3.231	48.82	78.54	48.88	78.25	77.72	146.82	-	7.35	3.87	0.33	0.79-1.44
5.080	200	2.692	4.308	65.29	104.95	65.35	104.53	104.07	196.16	5.22	9.88	5.12	1.61	1.21-2.07
6.350	250	3.365	5.385	81.76	131.33	81.86	130.77	130.38	245.47	6.59	12.40	6.40	2.85	1.61-2.69
7.620	300	4.039	6.462	98.19	157.71	98.33	157.05	156.72	294.81	7.94	14.96	7.64	4.13	2.03-3.35
8.890	350	4.712	7.539	114.66	184.12	114.80	183.30	183.04	344.16	9.32	17.49	8.92	5.38	2.43-3.97
10.160	400	5.385	8.616	131.13	210.50	131.26	209.54	209.38	393.50	10.66	20.01	10.17	6.66	2.82-4.59
12.700	500	6.731	10.770	164.04	263.25	164.20	262.07	262.04	492.15	13.39	25.07	12.70	9.19	3.64-5.84
15.240	600	8.077	12.923	196.95	316.04	197.14	314.60	314.69	590.81	16.11	30.12	15.22	11.71	4.46-7.09
17.780	700	9.423	15.077	229.89	368.83	230.08	367.12	367.35	-	-	35.17	-	-	-
20.320	800	10.770	17.231	262.79	421.58	263.02	419.65	420.01	-	-	40.26	-	-	-
22.860	900	12.116	19.385	295.73	474.37	295.96	472.17	472.66	-	-	45.31	-	-	-
25.400	1000	13.462	21.539	328.64	527.13	328.90	524.70	525.35	-	-	50.36	-	-	-

- 1 When the Zoom lens (Model No.: ET-D3LEW201, ET-D3LEW200) Fixed-focus Lens (Model No.: ET-D75LE95, ET-D3LEU101, ET-D3LEU100) or the Fisheye Lens (Model No.: ET-D3LEF70) is used, the projection relation between the screen and the projector differs from that of other lenses.
- 2 The throw ratio is based on the value during projection with the projected image size of 150 in.

Screen aspect ratio 16:9

Unit: meters

Lens type			Zoom lens																			
Projection lens Model No.		ET-D3LEW201 ¹ ET-D3LEW200 ¹	ET-D3LEW300	ET-D3LEW60 ET-D75LE6	ET-D3LEW600	ET-D3LEW10	ET-D75LE10	ET-D3LES20 ET-D75LE20	ET-D3LET30	ET-D75LE30												
Throw ratio ²		0.646-0.851:1	0.770-0.933:1	0.924-1.10:1	0.925-1.28:1	1.26-1.72:1	1.30-1.67:1	1.67-2.41:1	2.40-4.66:1	2.41-4.66:1												
Projection screen size			Projection distance (L)																			
Diagonal (SD)	Height (SH)	Width (SW)	Min. (LW)	Max. (LT)	Min. (LW)	Max. (LT)	Min. (LW)	Max. (LT)	Min. (LW)	Max. (LT)	Min. (LW)	Max. (LT)	Min. (LW)	Max. (LT)	Min. (LW)	Max. (LT)	Min. (LW)	Max. (LT)	Min. (LW)	Max. (LT)	Min. (LW)	Max. (LT)
1.778	70	0.872	1.550	-	-	1.18	1.44	1.40	1.67	1.39	1.93	1.90	2.62	1.96	2.53	2.53	3.68	3.64	7.14	3.66	7.14	
2.032	80	0.996	1.771	-	-	1.35	1.64	1.61	1.92	1.60	2.22	2.19	3.00	2.25	2.91	4.23	4.18	8.18	4.20	8.19		
2.286	90	1.121	1.992	-	-	1.52	1.85	1.82	2.17	1.81	2.52	2.47	3.39	2.54	3.29	3.28	4.77	4.72	9.23	4.74	9.23	
2.540	100	1.245	2.214	-	-	1.69	2.06	2.03	2.42	2.02	2.81	2.76	3.78	2.83	3.67	3.65	5.31	5.25	10.28	5.28	10.28	
3.048	120	1.494	2.657	-	-	2.04	2.48	2.44	2.92	2.44	3.39	3.32	4.56	3.42	4.42	4.40	6.40	6.33	12.37	6.35	12.37	
3.810	150	1.868	3.321	-	-	2.55	3.10	3.07	3.67	3.07	4.27	4.18	5.72	4.29	5.55	5.52	8.03	7.94	15.51	7.97	15.50	
5.080	200	2.491	4.428	2.86	3.77	3.42	4.14	4.11	4.92	4.12	5.73	5.60	7.66	5.75	7.44	7.39	10.74	10.63	20.74	10.67	20.73	
6.350	250	3.113	5.535	3.60	4.74	4.28	5.18	5.15	6.17	5.17	7.20	7.02	9.61	7.21	9.33	9.26	13.46	13.32	25.97	13.36	25.96	
7.620	300	3.736	6.641	4.34	5.71	5.14	6.22	6.19	7.41	6.22	8.66	8.44	11.55	8.67	11.21	11.13	16.17	16.01	31.20	16.06	31.18	
8.890	350	4.358	7.748	5.08	6.68	6.00	7.26	7.23	8.66	7.28	10.12	9.86	13.49	10.13	13.10	12.99	18.88	18.70	36.44	18.75	36.41	
10.160	400	4.981	8.855	5.82	7.65	6.86	8.31	8.28	9.91	8.33	11.59	11.28	15.43	11.59	14.99	14.86	21.60	21.39	41.67	21.45	41.64	
12.700	500	6.226	11.069	7.29	9.58	8.58	10.39	10.36	12.40	10.43	14.51	14.12	19.32	14.51	18.76	18.60	27.03	26.77	52.13	26.84	52.09	
15.240	600	7.472	13.283	8.77	11.52	10.30	12.47	12.44	14.90	12.53	17.44	16.96	23.20	17.44	22.54	22.33	32.46	32.15	62.60	32.23	62.54	
17.780	700	8.717	15.497	-	-	12.02	14.55	14.52	17.39	14.63	20.37	19.81	27.08	20.36	26.31	26.07	37.89	37.53	73.06	37.62	73.00	
20.320	800	9.962	17.710	-	-	13.74	16.63	16.61	19.89	16.74	23.29	22.65	30.97	23.28	30.09	29.81	43.31	42.92	83.53	43.01	83.45	
22.860	900	11.207	19.924	-	-	15.47	18.72	18.69	22.39	18.84	26.22	25.49	34.85	26.20	33.86	33.54	48.74	48.30	93.99	48.40	93.90	
25.400	1000	12.453	22.138	-	-	17.19	20.80	20.77	24.88	20.94	29.14	28.33	38.73	29.12	37.63	37.28	54.17	53.68	104.45	53.79	104.36	

Lens type			Zoom lens							Fixed-Focus Lens					
Projection lens Model No.		ET-D3LET40	ET-D75LE40	ET-D3LET80 ET-D75LE8	ET-D3LEU101 ¹ ET-D3LEU100 ¹	ET-D3LEW50 ET-D75LE50	ET-D75LE95 ¹								
Throw ratio ²		4.61-7.41:1	4.62-7.38:1	7.34-13.8:1	0.370:1	0.695:1	0.364:1								
Projection screen size			Projection distance (L)										Projection distance (L1)	Distance between the projector and the screen	
Diagonal (SD)	Height (SH)	Width (SW)	Min. (LW)	Max. (LT)	Min. (LW)	Max. (LT)	Min. (LW)	Max. (LT)	Fixed	Fixed	(L4)	(A1)			
													m	inches	
1.778	70	0.872	1.550	7.05	11.39	7.07	11.36	11.16	21.28	-	1.04	-	-	-	
2.032	80	0.996	1.771	8.08	13.04	8.10	13.00	12.81	24.37	-	1.20	-	-	-	
2.286	90	1.121	1.992	9.11	14.70	9.13	14.65	14.46	27.46	-	1.36	-	-	-	
2.540	100	1.245	2.214	10.15	16.35	10.16	16.29	16.11	30.55	-	1.51	-	-	-	
3.048	120	1.494	2.657	12.21	19.66	12.23	19.58	19.41	36.73	-	1.83	0.97	-0.10	0.18-0.43	
3.810	150	1.868	3.321	15.30	24.61	15.32	24.52	24.36	46.00	-	2.31	1.21	0.14	0.26-0.56	
5.080	200	2.491	4.428	20.46	32.88	20.48	32.75	32.61	61.46	1.64	3.10	1.60	0.53	0.38-0.79	
6.350	250	3.113	5.535	25.61	41.15	25.64	40.97	40.86	76.91	2.06	3.89	2.00	0.93	0.51-1.02	
7.620	300	3.736	6.641	30.77	49.41	30.80	49.20	49.11	92.37	2.49	4.68	2.39	1.32	0.64-1.25	
8.890	350	4.358	7.748	35.93	57.68	35.96	57.43	57.35	107.82	2.92	5.48	2.79	1.72	0.77-1.49	
10.160	400	4.981	8.855	41.08	65.95	41.12	65.65	65.60	123.28	3.34	6.27	3.19	2.11	0.89-1.72	
12.700	500	6.226	11.069	51.40	82.48	51.44	82.11	82.10	154.19	4.19	7.85	3.98	2.91	1.15-2.18	
15.240	600	7.472	13.283	61.71	99.01	61.76	98.56	98.60	185.10	5.05	9.44	4.77	3.70	1.40-2.64	
17.780	700	8.717	15.497	72.02	115.55	72.08	115.02	115.10	-	-	11.02	-	-	-	
20.320	800	9.962	17.710	82.33	132.08	82.41	131.47	131.59	-	-	12.61	-	-	-	
22.860	900	11.207	19.924	92.65	148.61	92.73	147.92	148.09	-	-	14.19	-	-	-	
25.400	1000	12.453	22.138	102.96	165.15	103.05	164.38	164.59	-	-	15.78	-	-	-	

- When the Zoom lens (Model No.: ET-D3LEW201, ET-D3LEW200) Fixed-focus Lens (Model No.: ET-D75LE95, ET-D3LEU101, ET-D3LEU100) or the Fisheye Lens (Model No.: ET-D3LEF70) is used, the projection relation between the screen and the projector differs from that of other lenses.
- The throw ratio is based on the value during projection with the projected image size of 150 in

Screen aspect ratio 16:9

Unit: feet

Lens type			Zoom lens																		
Projection lens Model No.		ET-D3LEW201 ¹ ET-D3LEW200 ¹	ET-D3LEW300	ET-D3LEW60 ET-D75LE6	ET-D3LEW600	ET-D3LEW10	ET-D75LE10	ET-D3LES20 ET-D75LE20	ET-D3LET30	ET-D75LE30											
Throw ratio ²		0.646-0.851:1	0.770-0.933:1	0.924-1.10:1	0.925-1.28:1	1.26-1.72:1	1.30-1.67:1	1.67-2.41:1	2.40-4.66:1	2.41-4.66:1											
Projection screen size			Projection distance (L)																		
Diagonal (SD)	Height (SH)	Width (SW)	Min. (LW)	Max. (LT)	Min. (LW)	Max. (LT)	Min. (LW)	Max. (LT)	Min. (LW)	Max. (LT)	Min. (LW)	Max. (LT)	Min. (LW)	Max. (LT)	Min. (LW)	Max. (LT)	Min. (LW)	Max. (LT)	Min. (LW)	Max. (LT)	
																					m
1.778	70	0.872	1.550	-	-	3.87	4.72	4.59	5.48	4.55	6.33	6.23	8.60	6.43	8.30	8.30	12.07	11.94	23.42	12.01	23.42
2.032	80	0.996	1.771	-	-	4.43	5.38	5.28	6.30	5.24	7.29	7.18	9.84	7.38	9.55	9.55	13.88	13.71	26.84	13.78	26.87
2.286	90	1.121	1.992	-	-	4.99	6.07	5.97	7.12	5.93	8.25	8.10	11.12	8.33	10.79	10.76	15.65	15.49	30.28	15.55	30.28
2.540	100	1.245	2.214	-	-	5.54	6.76	6.66	7.94	6.62	9.21	9.06	12.40	9.28	12.04	11.97	17.42	17.22	33.73	17.32	33.73
3.048	120	1.494	2.657	-	-	6.69	8.14	8.01	9.58	8.00	11.13	10.89	14.96	11.22	14.50	14.44	21.00	20.77	40.58	20.83	40.58
3.810	150	1.868	3.321	-	-	8.37	10.17	10.07	12.04	10.07	14.01	13.71	18.77	14.07	18.21	18.11	26.34	26.05	50.89	26.15	50.85
5.080	200	2.491	4.428	9.38	12.37	11.22	13.58	13.48	16.14	13.52	18.81	18.37	25.13	18.86	24.41	24.25	35.24	34.87	68.04	35.01	68.01
6.350	250	3.113	5.535	11.81	15.55	14.04	16.99	16.90	20.24	16.97	23.61	23.03	31.53	23.65	30.61	30.38	44.16	43.70	85.20	43.83	85.17
7.620	300	3.736	6.641	14.24	18.73	16.86	20.41	20.31	24.31	20.42	28.41	27.69	37.89	28.44	36.78	36.52	53.05	52.53	102.36	52.69	102.30
8.890	350	4.358	7.748	16.67	21.92	19.68	23.82	23.72	28.41	23.87	33.21	32.35	44.26	33.23	42.98	42.62	61.94	61.35	119.55	61.52	119.45
10.160	400	4.981	8.855	19.09	25.10	22.51	27.26	27.17	32.51	27.32	38.01	37.01	50.62	38.02	49.18	48.75	70.87	70.18	136.71	70.37	136.61
12.700	500	6.226	11.069	23.92	31.43	28.15	34.09	33.99	40.68	34.22	47.62	46.32	63.39	47.60	61.55	61.02	88.68	87.83	171.03	88.06	170.90
15.240	600	7.472	13.283	28.77	37.79	33.79	40.91	40.81	48.88	41.12	57.22	55.64	76.11	57.22	73.95	73.26	106.49	105.48	205.38	105.74	205.18
17.780	700	8.717	15.497	-	-	39.44	47.74	47.64	57.05	48.01	66.82	64.99	88.84	66.80	86.32	85.53	124.31	123.13	239.70	123.42	239.50
20.320	800	9.962	17.710	-	-	45.08	54.56	54.49	65.26	54.91	76.42	74.31	101.61	76.38	98.72	97.80	142.09	140.81	274.05	141.11	273.78
22.860	900	11.207	19.924	-	-	50.75	61.42	61.32	73.46	61.81	86.02	83.63	114.34	85.96	111.09	110.04	159.91	158.46	308.36	158.79	308.07
25.400	1000	12.453	22.138	-	-	56.40	68.24	68.14	81.63	68.71	95.62	92.95	127.07	95.54	123.46	122.31	177.72	176.11	342.68	176.47	342.38

Lens type			Zoom lens							Fixed-Focus Lens					
Projection lens Model No.		ET-D3LET40	ET-D75LE40	ET-D3LET80 ET-D75LE8	ET-D3LEU101 ¹ ET-D3LEU100 ¹	ET-D3LEW50 ET-D75LE50	ET-D75LE95 ¹								
Throw ratio ²		4.61-7.41:1	4.62-7.38:1	7.34-13.8:1	0.370:1	0.695:1	0.364:1								
Projection screen size			Projection distance (L)								Projection distance (L1)	Distance between the projector and the screen			
Diagonal (SD)	Height (SH)	Width (SW)	Min. (LW)	Max. (LT)	Min. (LW)	Max. (LT)	Min. (LW)	Max. (LT)	Fixed	Fixed		(L4)	(A1)		
											m			inches	
1.778	70	0.872	1.550	23.13	37.37	23.20	37.27	36.61	69.82	-	3.41	-	-	-	
2.032	80	0.996	1.771	26.51	42.78	26.57	42.65	42.03	79.95	-	3.94	-	-	-	
2.286	90	1.121	1.992	29.89	48.23	29.95	48.06	47.44	90.09	-	4.46	-	-	-	
2.540	100	1.245	2.214	33.30	53.64	33.33	53.44	52.85	100.23	-	4.95	-	-	-	
3.048	120	1.494	2.657	40.06	64.50	40.12	64.24	63.68	120.50	-	6.00	3.18	-0.33	0.59-1.41	
3.810	150	1.868	3.321	50.20	80.74	50.26	80.45	79.92	150.92	-	7.58	3.97	0.46	0.85-1.84	
5.080	200	2.491	4.428	67.13	107.87	67.19	107.45	106.99	201.64	5.38	10.17	5.25	1.74	1.25-2.59	
6.350	250	3.113	5.535	84.02	135.00	84.12	134.41	134.05	252.33	6.76	12.76	6.56	3.05	1.67-3.35	
7.620	300	3.736	6.641	100.95	162.10	101.05	161.42	161.12	303.05	8.17	15.35	7.84	4.33	2.10-4.10	
8.890	350	4.358	7.748	117.88	189.24	117.98	188.42	188.15	353.74	9.58	17.98	9.15	5.64	2.53-4.89	
10.160	400	4.981	8.855	134.78	216.37	134.91	215.38	215.22	404.46	10.96	20.57	10.47	6.92	2.92-5.64	
12.700	500	6.226	11.069	168.63	270.60	168.76	269.39	269.35	505.87	13.75	25.75	13.06	9.55	3.77-7.15	
15.240	600	7.472	13.283	202.46	324.83	202.62	323.36	323.49	607.28	16.57	30.97	15.65	12.14	4.59-8.66	
17.780	700	8.717	15.497	236.28	379.10	236.48	377.36	377.62	-	-	36.15	-	-	-	
20.320	800	9.962	17.710	270.11	433.33	270.37	431.33	431.72	-	-	41.37	-	-	-	
22.860	900	11.207	19.924	303.97	487.56	304.23	485.30	485.85	-	-	46.55	-	-	-	
25.400	1000	12.453	22.138	337.79	541.82	338.09	539.30	539.99	-	-	51.77	-	-	-	

- 1 When the Zoom lens (Model No.: ET-D3LEW201, ET-D3LEW200) Fixed-focus Lens (Model No.: ET-D75LE95, ET-D3LEU101, ET-D3LEU100) or the Fisheye Lens (Model No.: ET-D3LEF70) is used, the projection relation between the screen and the projector differs from that of other lenses.
- 2 The throw ratio is based on the value during projection with the projected image size of 150 in

Screen aspect ratio 4:3

Unit: meters

Lens type			Zoom lens																			
Projection lens Model No.		ET-D3LEW201 ¹ ET-D3LEW200 ¹	ET-D3LEW300	ET-D3LEW60 ET-D75LE6	ET-D3LEW600	ET-D3LEW10	ET-D75LE10	ET-D3LES20 ET-D75LE20	ET-D3LET30	ET-D75LE30												
Throw ratio ²		0.778-1.02:1	0.925-1.12:1	1.12-1.32:1	1.12-1.54:1	1.52-2.07:1	1.56-2.01:1	2.00-2.90:1	2.88-5.61:1	2.89-5.60:1												
Projection screen size			Projection distance (L)																			
Diagonal (SD)	Height (SH)	Width (SW)	Min. (LW)	Max. (LT)	Min. (LW)	Max. (LT)	Min. (LW)	Max. (LT)	Min. (LW)	Max. (LT)	Min. (LW)	Max. (LT)	Min. (LW)	Max. (LT)	Min. (LW)	Max. (LT)	Min. (LW)	Max. (LT)	Min. (LW)	Max. (LT)	Min. (LW)	Max. (LT)
1.778	70	1.067	1.422	-	-	1.30	1.58	1.55	1.85	1.54	2.14	2.10	2.89	2.17	2.80	2.80	4.07	4.02	7.88	4.04	7.88	
2.032	80	1.219	1.626	-	-	1.49	1.81	1.78	2.13	1.77	2.46	2.42	3.32	2.49	3.22	3.21	4.67	4.61	9.03	4.64	9.03	
2.286	90	1.372	1.829	-	-	1.68	2.04	2.01	2.40	2.00	2.78	2.73	3.75	2.81	3.63	3.62	5.27	5.21	10.18	5.23	10.19	
2.540	100	1.524	2.032	-	-	1.87	2.27	2.24	2.68	2.23	3.10	3.04	4.18	3.13	4.05	4.03	5.86	5.80	11.34	5.82	11.34	
3.048	120	1.829	2.438	-	-	2.25	2.73	2.70	3.22	2.70	3.75	3.67	5.03	3.77	4.88	4.86	7.06	6.99	13.64	7.01	13.64	
3.810	150	2.286	3.048	-	-	2.82	3.42	3.38	4.05	3.39	4.72	4.61	6.31	4.74	6.13	6.09	8.85	8.76	17.10	8.79	17.09	
5.080	200	3.048	4.064	3.16	4.16	3.77	4.56	4.53	5.42	4.55	6.33	6.17	8.45	6.35	8.21	8.15	11.84	11.73	22.86	11.76	22.85	
6.350	250	3.810	5.080	3.97	5.23	4.71	5.71	5.68	6.80	5.71	7.94	7.74	10.59	7.96	10.28	10.20	14.83	14.69	28.63	14.73	28.61	
7.620	300	4.572	6.096	4.79	6.30	5.66	6.86	6.83	8.17	6.86	9.55	9.30	12.73	9.56	12.36	12.26	17.82	17.65	34.39	17.70	34.36	
8.890	350	5.334	7.112	5.60	7.37	6.61	8.00	7.97	9.55	8.02	11.16	10.87	14.87	11.17	14.44	14.32	20.81	20.61	40.15	20.67	40.12	
10.160	400	6.096	8.128	6.42	8.43	7.56	9.15	9.12	10.92	9.18	12.77	12.43	17.01	12.78	16.52	16.38	23.80	23.58	45.91	23.63	45.88	
12.700	500	7.620	10.160	8.05	10.57	9.45	11.44	11.41	13.67	11.50	16.00	15.56	21.29	16.00	20.68	20.49	29.78	29.50	57.44	29.57	57.39	
15.240	600	9.144	12.192	9.67	12.70	11.35	13.74	13.71	16.42	13.81	19.22	18.69	25.56	19.21	24.83	24.61	35.76	35.43	68.97	35.51	68.91	
17.780	700	10.668	14.224	-	-	13.25	16.03	16.00	19.17	16.13	22.44	21.82	29.84	22.43	28.99	28.72	41.74	41.36	80.49	41.45	80.42	
20.320	800	12.192	16.256	-	-	15.14	18.32	18.30	21.92	18.44	25.67	24.95	34.12	25.65	33.15	32.84	47.72	47.28	92.02	47.38	91.93	
22.860	900	13.716	18.288	-	-	17.04	20.62	20.59	24.66	20.76	28.89	28.09	38.40	28.86	37.31	36.95	53.70	53.21	103.54	53.32	103.45	
25.400	1000	15.240	20.320	-	-	18.93	22.91	22.89	27.41	23.07	32.11	31.22	42.67	32.08	41.46	41.07	59.68	59.13	115.03	59.26	114.96	

Lens type			Zoom lens						Fixed-Focus Lens					
Projection lens Model No.		ET-D3LET40	ET-D75LE40	ET-D3LET80 ET-D75LE8	ET-D3LEU101 ¹ ET-D3LEU100 ¹	ET-D3LEW50 ET-D75LE50	ET-D75LE95 ¹							
Throw ratio ²		5.54-8.90:1	5.55-8.86:1	8.82-16.6:1	0.446:1	0.836:1	0.436:1							
Projection screen size			Projection distance (L)								Projection distance (L1)	Distance between the projector and the screen		
Diagonal (SD)	Height (SH)	Width (SW)	Min. (LW)	Max. (LT)	Min. (LW)	Max. (LT)	Min. (LW)	Max. (LT)	Fixed	Fixed		(L4)	(A1)	
m	inches													
1.778	70	1.067	1.422	7.78	12.56	7.80	12.52	12.33	23.47	-	1.15	-	-	-
2.032	80	1.219	1.626	8.92	14.38	8.94	14.34	14.15	26.88	-	1.33	-	-	-
2.286	90	1.372	1.829	10.06	16.20	10.07	16.15	15.97	30.28	-	1.50	-	-	-
2.540	100	1.524	2.032	11.19	18.03	11.21	17.96	17.78	33.69	-	1.67	-	-	-
3.048	120	1.829	2.438	13.46	21.67	13.48	21.59	21.42	40.50	-	2.02	1.07	-0.01	0.21-0.39
3.810	150	2.286	3.048	16.87	27.13	16.89	27.02	26.87	50.71	-	2.55	1.33	0.26	0.29-0.52
5.080	200	3.048	4.064	22.55	36.24	22.58	36.09	35.96	67.73	1.81	3.42	1.76	0.69	0.43-0.74
6.350	250	3.810	5.080	28.23	45.34	28.26	45.15	45.04	84.75	2.28	4.29	2.20	1.13	0.57-0.95
7.620	300	4.572	6.096	33.91	54.45	33.94	54.21	54.13	101.78	2.75	5.17	2.64	1.56	0.71-1.17
8.890	350	5.334	7.112	39.59	63.55	39.63	63.27	63.21	118.80	3.22	6.04	3.07	2.00	0.85-1.38
10.160	400	6.096	8.128	45.27	72.66	45.31	72.33	72.30	135.82	3.69	6.91	3.51	2.43	0.99-1.60
12.700	500	7.620	10.160	56.63	90.87	56.68	90.45	90.47	169.87	4.63	8.66	4.38	3.31	1.27-2.03
15.240	600	9.144	12.192	67.99	109.08	68.05	108.58	108.64	203.91	5.56	10.40	5.25	4.18	1.55-2.46
17.780	700	10.668	14.224	79.35	127.29	79.41	126.70	126.81	-	-	12.15	-	-	-
20.320	800	12.192	16.256	90.70	145.50	90.78	144.82	144.98	-	-	13.90	-	-	-
22.860	900	13.716	18.288	102.06	163.71	102.15	162.95	163.15	-	-	15.64	-	-	-
25.400	1000	15.240	20.320	113.42	181.92	113.52	181.07	181.33	-	-	17.39	-	-	-

1 When the Zoom lens (Model No.: ET-D3LEW201, ET-D3LEW200) Fixed-focus Lens (Model No.: ET-D75LE95, ET-D3LEU101, ET-D3LEU100) or the Fisheye Lens (Model No.: ET-D3LEF70) is used, the projection relation between the screen and the projector differs from that of other lenses.

2 The throw ratio is based on the value during projection with the projected image size of 150 in

Screen aspect ratio 4:3

Unit: feet

Lens type			Zoom lens																			
Projection lens Model No.		ET-D3LEW201 ¹ ET-D3LEW200 ¹	ET-D3LEW300	ET-D3LEW60 ET-D75LE6		ET-D3LEW600		ET-D3LEW10		ET-D75LE10		ET-D3LES20 ET-D75LE20		ET-D3LET30		ET-D75LE30						
Throw ratio ²			0.778-1.02:1	0.925-1.12:1	1.12-1.32:1		1.12-1.54:1		1.52-2.07:1		1.56-2.01:1		2.00-2.90:1		2.88-5.61:1		2.89-5.60:1					
Projection screen size			Projection distance (L)																			
Diagonal (SD)		Height (SH)	Width (SW)	Min. (LW)	Max. (LT)	Min. (LW)	Max. (LT)	Min. (LW)	Max. (LT)	Min. (LW)	Max. (LT)	Min. (LW)	Max. (LT)	Min. (LW)	Max. (LT)	Min. (LW)	Max. (LT)	Min. (LW)	Max. (LT)	Min. (LW)	Max. (LT)	
m	inches																					
1.778	70	1.067	1.422	-	-	4.27	5.18	5.09	6.07	5.04	7.01	6.89	9.48	7.12	9.19	9.19	13.35	13.19	25.85	13.25	25.85	
2.032	80	1.219	1.626	-	-	4.89	5.94	5.84	6.99	5.80	8.07	7.94	10.89	8.17	10.56	10.53	15.32	15.12	29.63	15.22	29.63	
2.286	90	1.372	1.829	-	-	5.51	6.69	6.59	7.87	6.56	9.13	8.96	12.30	9.22	11.91	11.88	17.29	17.09	33.40	17.16	33.43	
2.540	100	1.524	2.032	-	-	6.14	7.45	7.35	8.79	7.32	10.19	9.97	13.71	10.27	13.29	13.22	19.23	19.03	37.20	19.09	37.20	
3.048	120	1.829	2.438	-	-	7.38	8.96	8.86	10.56	8.84	12.30	12.04	16.50	12.37	16.01	15.94	23.16	22.93	44.75	23.00	44.75	
3.810	150	2.286	3.048	-	-	9.25	11.22	11.09	13.29	11.12	15.47	15.12	20.70	15.55	20.11	19.98	29.04	28.74	56.10	28.84	56.07	
5.080	200	3.048	4.064	10.37	13.65	12.37	14.96	14.86	17.78	14.92	20.76	20.24	27.72	20.83	26.94	26.74	38.84	38.48	75.00	38.58	74.97	
6.350	250	3.810	5.080	13.02	17.16	15.45	18.73	18.63	22.31	18.72	26.05	25.39	34.74	26.12	33.73	33.46	48.65	48.19	93.93	48.33	93.86	
7.620	300	4.572	6.096	15.72	20.67	18.57	22.51	22.41	26.80	22.52	31.34	30.51	41.76	31.36	40.55	40.22	58.46	57.91	112.83	58.07	112.73	
8.890	350	5.334	7.112	18.37	24.18	21.69	26.25	26.15	31.33	26.32	36.62	35.66	48.79	36.65	47.37	46.98	68.27	67.62	131.72	67.81	131.63	
10.160	400	6.096	8.128	21.06	27.66	24.80	30.02	29.92	35.83	30.12	41.91	40.78	55.81	41.93	54.20	53.74	78.08	77.36	150.62	77.53	150.52	
12.700	500	7.620	10.160	26.41	34.68	31.00	37.53	37.43	44.85	37.71	52.49	51.05	69.85	52.49	67.85	67.22	97.70	96.78	188.45	97.01	188.29	
15.240	600	9.144	12.192	31.73	41.67	37.24	45.08	44.98	53.87	45.31	63.06	61.32	83.86	63.02	81.46	80.74	117.32	116.24	226.28	116.50	226.08	
17.780	700	10.668	14.224	-	-	43.47	52.59	52.49	62.89	52.91	73.64	71.59	97.90	73.59	95.11	94.22	136.94	135.69	264.07	135.99	263.84	
20.320	800	12.192	16.256	-	-	49.67	60.10	60.04	71.92	60.51	84.21	81.86	111.94	84.15	108.76	107.74	156.56	155.12	301.90	155.44	301.60	
22.860	900	13.716	18.288	-	-	55.90	67.65	67.55	80.90	68.10	94.79	92.16	125.98	94.68	122.41	121.23	176.18	174.57	339.69	174.93	339.40	
25.400	1000	15.240	20.320	-	-	62.11	75.16	75.10	89.93	75.70	105.36	102.43	139.99	105.25	136.02	134.74	195.80	193.99	377.39	194.42	377.16	

Lens type			Zoom lens							Fixed-Focus Lens					
Projection lens Model No.		ET-D3LET40	ET-D75LE40	ET-D3LET80 ET-D75LE8		ET-D3LEU101 ¹ ET-D3LEU100 ¹		ET-D3LEW50 ET-D75LE50		ET-D75LE95 ¹					
Throw ratio ²			5.54-8.90:1	5.55-8.86:1	8.82-16.6:1		0.446:1		0.836:1		0.436:1				
Projection screen size			Projection distance (L)										Projection distance (L1)	Distance between the projector and the screen	
Diagonal (SD)		Height (SH)	Width (SW)	Min. (LW)	Max. (LT)	Min. (LW)	Max. (LT)	Min. (LW)	Max. (LT)	Fixed	Fixed	(L4)		(A1)	
m	inches														
1.778	70	1.067	1.422	25.52	41.21	25.59	41.08	40.45	77.00	-	3.77	-	-	-	
2.032	80	1.219	1.626	29.26	47.18	29.33	47.05	46.42	88.19	-	4.36	-	-	-	
2.286	90	1.372	1.829	33.00	53.15	33.04	52.98	52.39	99.34	-	4.92	-	-	-	
2.540	100	1.524	2.032	36.71	59.15	36.78	58.92	58.33	110.53	-	5.48	-	-	-	
3.048	120	1.829	2.438	44.16	71.09	44.23	70.83	70.27	132.87	-	6.63	3.51	-0.03	0.69-1.28	
3.810	150	2.286	3.048	55.35	89.01	55.41	88.65	88.16	166.37	-	8.37	4.36	0.85	0.95-1.71	
5.080	200	3.048	4.064	73.98	118.90	74.08	118.40	117.98	222.21	5.94	11.22	5.77	2.26	1.41-2.43	
6.350	250	3.810	5.080	92.62	148.75	92.72	148.13	147.77	278.05	7.48	14.07	7.22	3.71	1.87-3.12	
7.620	300	4.572	6.096	111.25	178.64	111.35	177.85	177.59	333.92	9.02	16.96	8.66	5.12	2.33-3.84	
8.890	350	5.334	7.112	129.89	208.49	130.02	207.58	207.38	389.76	10.56	19.82	10.07	6.56	2.79-4.53	
10.160	400	6.096	8.128	148.52	238.38	148.65	237.30	237.20	445.60	12.11	22.67	11.52	7.97	3.25-5.25	
12.700	500	7.620	10.160	185.79	298.13	185.96	296.75	296.81	557.31	15.19	28.41	14.37	10.86	4.17-6.66	
15.240	600	9.144	12.192	223.06	357.87	223.26	356.23	356.43	668.99	18.24	34.12	17.22	13.71	5.09-8.07	
17.780	700	10.668	14.224	260.33	417.61	260.53	415.68	416.04	-	-	39.86	-	-	-	
20.320	800	12.192	16.256	297.57	477.36	297.83	475.13	475.65	-	-	45.60	-	-	-	
22.860	900	13.716	18.288	334.84	537.10	335.13	534.61	535.26	-	-	51.31	-	-	-	
25.400	1000	15.240	20.320	372.11	596.84	372.44	594.05	594.91	-	-	57.05	-	-	-	

- 1 When the Zoom lens (Model No.: ET-D3LEW201, ET-D3LEW200) Fixed-focus Lens (Model No.: ET-D75LE95, ET-D3LEU101, ET-D3LEU100) or the Fisheye Lens (Model No.: ET-D3LEF70) is used, the projection relation between the screen and the projector differs from that of other lenses.
- 2 The throw ratio is based on the value during projection with the projected image size of 150 in

Calculation of the projection distance

To use a projected image size not listed in this manual, check the projected image size SD (m) and use the respective formula to calculate the value. The unit of all the formulae is m. (Values obtained by the following calculation formulae contain a slight error.)

When calculating the value using image size designation (value in inches), multiply the value in inches by 0.0254 and substitute it into SD in the formula.

Zoom lens

Unit: m

Projection lens Model No.	Throw ratio	Aspect ratio	Projection distance (L) formula	
			Min. (LW)	Max. (LT)
ET-D3LEW201 ET-D3LEW200	0.645-0.850:1	16:10	$=0.5665 \times SD - 0.1001$	$=0.7425 \times SD - 0.1076$
	0.646-0.851:1	16:9	$=0.5823 \times SD - 0.1001$	$=0.7632 \times SD - 0.1076$
	0.778-1.02:1	4:3	$=0.6414 \times SD - 0.1001$	$=0.8406 \times SD - 0.1076$
ET-D3LEW300	0.770-0.933:1	16:10	$=0.6594 \times SD - 0.0272$	$=0.7976 \times SD - 0.0231$
	0.770-0.933:1	16:9	$=0.6777 \times SD - 0.0272$	$=0.8197 \times SD - 0.0231$
	0.925-1.12:1	4:3	$=0.7465 \times SD - 0.0272$	$=0.9029 \times SD - 0.0231$
ET-D3LEW60 ET-D75LE6	0.924-1.10:1	16:10	$=0.7979 \times SD - 0.0566$	$=0.9559 \times SD - 0.0736$
	0.924-1.10:1	16:9	$=0.8201 \times SD - 0.0566$	$=0.9825 \times SD - 0.0736$
	1.12-1.32:1	4:3	$=0.9032 \times SD - 0.0566$	$=1.0822 \times SD - 0.0736$
ET-D3LEW600	0.924-1.28:1	16:10	$=0.8054 \times SD - 0.0835$	$=1.1209 \times SD - 0.1185$
	0.925-1.28:1	16:9	$=0.8278 \times SD - 0.0835$	$=1.1521 \times SD - 0.1185$
	1.12-1.54:1	4:3	$=0.9117 \times SD - 0.0835$	$=1.2690 \times SD - 0.1185$
ET-D3LEW10	1.26-1.72:1	16:10	$=1.0886 \times SD - 0.0867$	$=1.4876 \times SD - 0.1025$
	1.26-1.72:1	16:9	$=1.1188 \times SD - 0.0867$	$=1.5290 \times SD - 0.1025$
	1.52-2.07:1	4:3	$=1.2324 \times SD - 0.0867$	$=1.6841 \times SD - 0.1025$
ET-D75LE10	1.30-1.67:1	16:10	$=1.1186 \times SD - 0.0857$	$=1.4458 \times SD - 0.1085$
	1.30-1.67:1	16:9	$=1.1497 \times SD - 0.0857$	$=1.4860 \times SD - 0.1085$
	1.56-2.01:1	4:3	$=1.2663 \times SD - 0.0857$	$=1.6367 \times SD - 0.1085$
ET-D3LES20 ET-D75LE20	1.67-2.41:1	16:10	$=1.4312 \times SD - 0.0832$	$=2.0795 \times SD - 0.1162$
	1.67-2.41:1	16:9	$=1.4709 \times SD - 0.0832$	$=2.1373 \times SD - 0.1162$
	2.00-2.90:1	4:3	$=1.6202 \times SD - 0.0832$	$=2.3542 \times SD - 0.1162$
ET-D3LET30	2.40-4.66:1	16:10	$=2.0609 \times SD - 0.1261$	$=4.0084 \times SD - 0.1892$
	2.40-4.66:1	16:9	$=2.1182 \times SD - 0.1261$	$=4.1198 \times SD - 0.1892$
	2.88-5.61:1	4:3	$=2.3331 \times SD - 0.1261$	$=4.5378 \times SD - 0.1892$
ET-D75LE30	2.40-4.66:1	16:10	$=2.0647 \times SD - 0.1131$	$=4.0041 \times SD - 0.1765$
	2.41-4.66:1	16:9	$=2.1221 \times SD - 0.1131$	$=4.1155 \times SD - 0.1765$
	2.89-5.60:1	4:3	$=2.3374 \times SD - 0.1131$	$=4.5330 \times SD - 0.1765$
ET-D3LET40	4.61-7.41:1	16:10	$=3.9505 \times SD - 0.1673$	$=6.3330 \times SD - 0.1846$
	4.61-7.41:1	16:9	$=4.0601 \times SD - 0.1673$	$=6.5091 \times SD - 0.1846$
	5.54-8.90:1	4:3	$=4.4720 \times SD - 0.1673$	$=7.1694 \times SD - 0.1846$
ET-D75LE40	4.62-7.38:1	16:10	$=3.9532 \times SD - 0.1577$	$=6.3027 \times SD - 0.1615$
	4.62-7.38:1	16:9	$=4.0631 \times SD - 0.1577$	$=6.4779 \times SD - 0.1615$
	5.55-8.86:1	4:3	$=4.4754 \times SD - 0.1577$	$=7.1351 \times SD - 0.1615$
ET-D3LET80 ET-D75LE8	7.34-13.8:1	16:10	$=6.3193 \times SD - 0.3862$	$=11.8400 \times SD - 0.3598$
	7.34-13.8:1	16:9	$=6.4950 \times SD - 0.3862$	$=12.1692 \times SD - 0.3598$
	8.82-16.6:1	4:3	$=7.1540 \times SD - 0.3862$	$=13.4039 \times SD - 0.3598$

Fixed lens

Unit: m

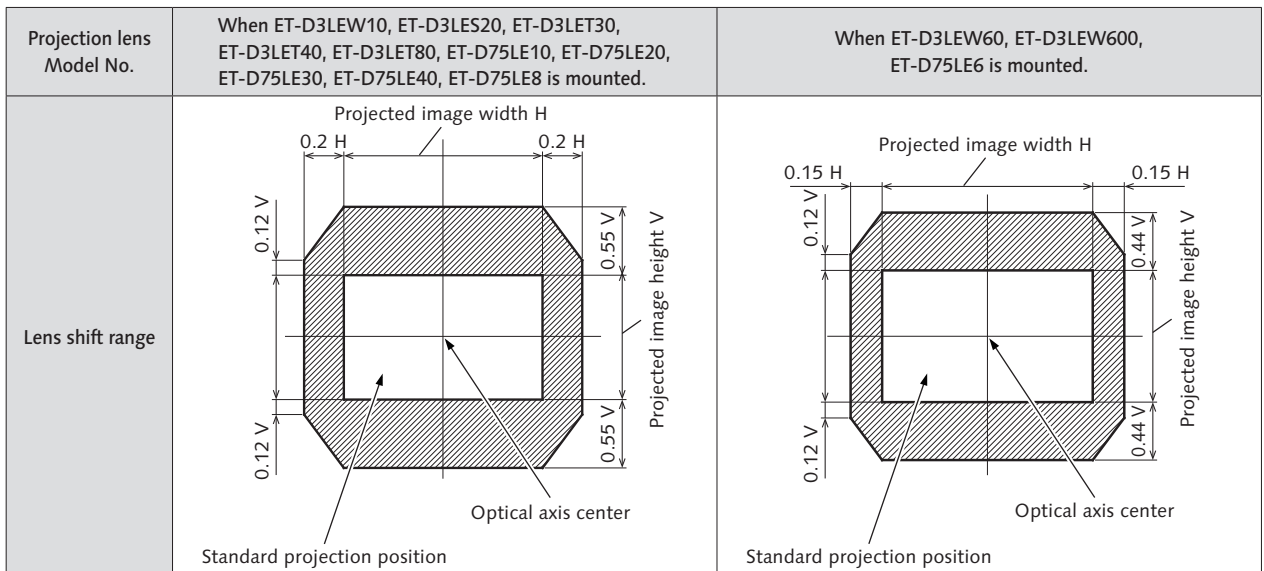
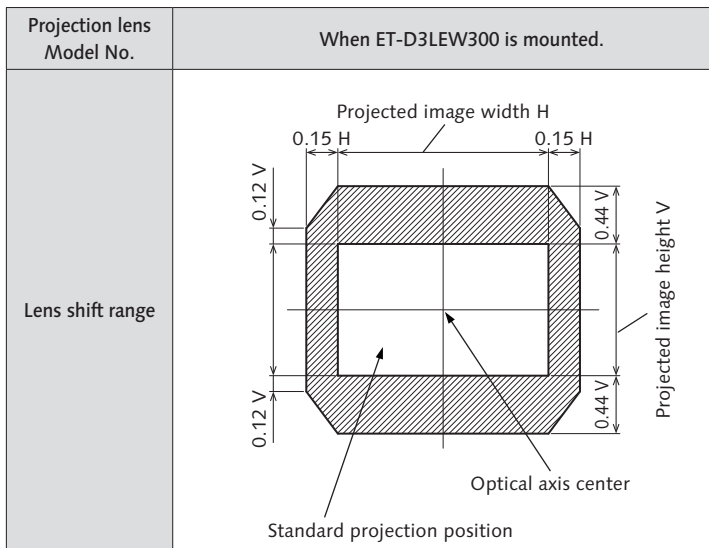
Projection lens Model No.	Throw ratio	Aspect ratio	Projection distance (L) formula
ET-D3LEU101 ET-D3LEU100	0.370:1	16:10	$=0.3264 \times SD - 0.0664$
	0.370:1	16:9	$=0.3355 \times SD - 0.0664$
	0.446:1	4:3	$=0.3695 \times SD - 0.0664$
ET-D3LEW50 ET-D75LE50	0.694:1	16:10	$=0.6072 \times SD - 0.0713$
	0.695:1	16:9	$=0.6240 \times SD - 0.0713$
	0.836:1	4:3	$=0.6873 \times SD - 0.0713$

Projection lens Model No.	Throw ratio	Aspect ratio	Projection distance (L1) formula	Distance between the projector and the screen (A1) formula	
				Min.	Max.
ET-D75LE95	0.364:1	16:10	$=0.303 \times SD + 0.020$	$=0.184 \times SH - 0.128$	$=0.283 \times SH - 0.128$
	0.364:1	16:9	$=0.312 \times SD + 0.020$	$=0.205 \times SH - 0.128$	$=0.370 \times SH - 0.128$
	0.436:1	4:3	$=0.343 \times SD + 0.020$	$=0.184 \times SH - 0.128$	$=0.283 \times SH - 0.128$

Adjustment range by the lens position shift (optical shift)

Based on the standard projection position using the optical axis shift function, the projection position can be adjusted in the range shown in the following figure.

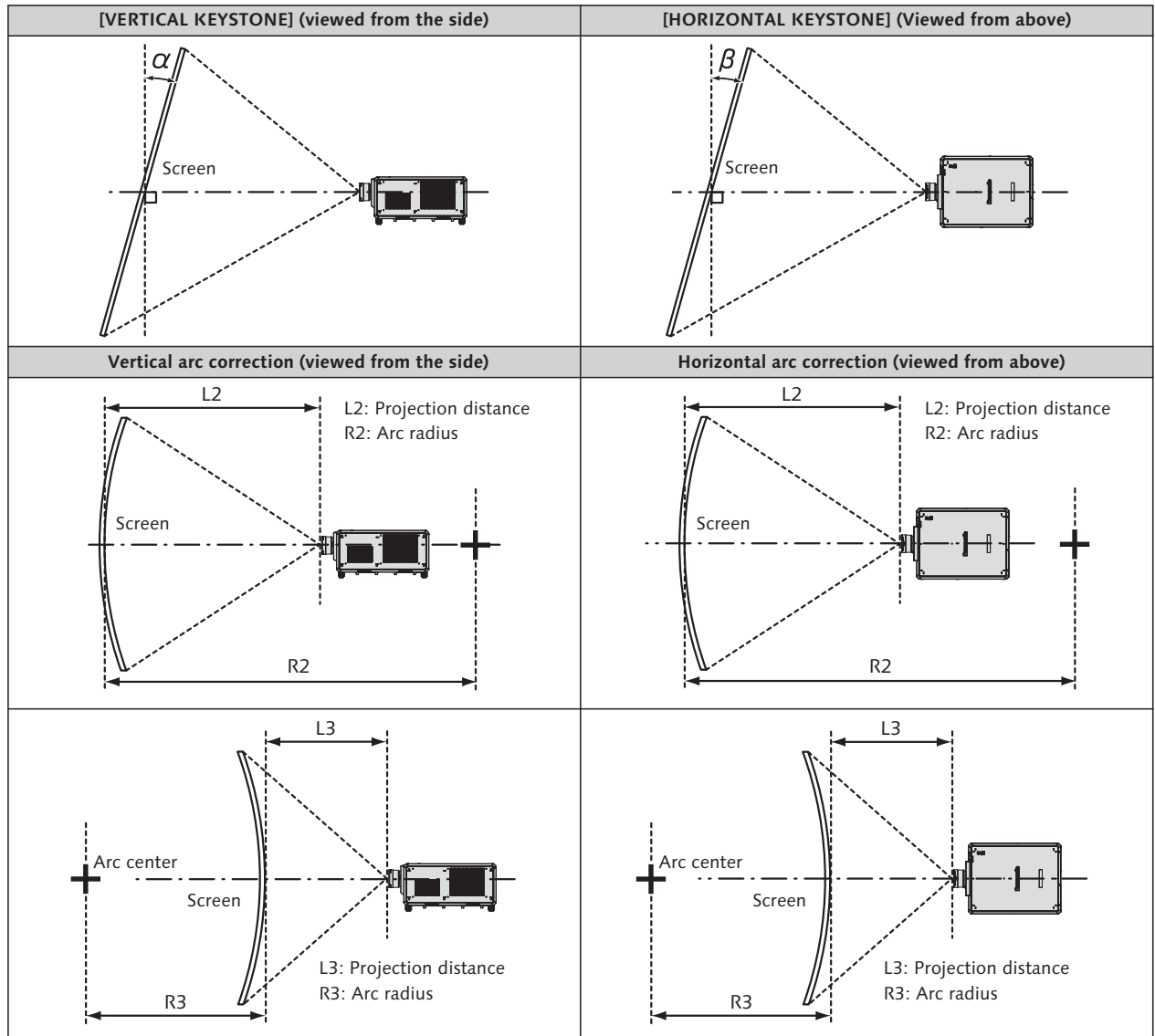
Following figure shows the adjustment range when the projector is installed on the floor.



Projection lens Model No.	When ET-D3LEW201, ET-D3LEW200 is mounted.	When ET-D3LEU101, ET-D3LEU100 is mounted.
Lens shift range	<p>Projected image width H</p> <p>0.15 H</p> <p>0.15 H</p> <p>0.12 V</p> <p>0.12 V</p> <p>0.48 V</p> <p>0.48 V</p> <p>Projected image height V</p> <p>Optical axis center</p> <p>Standard projection position</p>	<p>Projected image width H</p> <p>0.25 H</p> <p>0.55 V</p> <p>0.55 V</p> <p>0.12 V</p> <p>0.12 V</p> <p>Projected image height V</p> <p>Optical axis center</p> <p>Standard projection position</p> <p>Part of the image may be obscured</p>
Projection lens Model No.	When ET-D75LE95 is mounted.	When ET-D3LEF70 is mounted.
Lens shift range	<p>Projected image width H</p> <p>0.12 H</p> <p>0.12 H</p> <p>0.05 V</p> <p>0.05 V</p> <p>0.73 V</p> <p>0.07 V</p> <p>Projected image height V</p> <p>Optical axis center</p> <p>Standard projection position</p>	<p>Projected image width H</p> <p>0.12 H</p> <p>0.12 H</p> <p>0.27 V</p> <p>0.27 V</p> <p>Projected image height V</p> <p>Optical axis center</p> <p>Standard projection position</p>

- When using the fixed lens (Model No.: ET-D3LEW50, D75LE50) Use the projection lens in the standard projection position without adjusting the lens shift.

[GEOMETRY] projection range



Projection lens Model No.	Only [KEYSTONE] used ¹		[KEYSTONE] and [CURVED CORRECTION] used together				Only [CURVED CORRECTION] used	
	Vertical keystone correction angle α (°)	Horizontal keystone correction angle β (°)	Vertical keystone correction angle α (°)	Horizontal keystone correction angle β (°)	Min. value of R2/L2	Min. value of R3/L3	Min. value of R2/L2	Min. value of R3/L3
ET-D3LEW201 ET-D3LEW200	± 15	±5	-	-	-	-	-	-
ET-D3LEW300	± 15	±5	-	-	-	-	-	-
ET-D3LEW60 ET-D3LEW600 ET-D75LE6	± 28	± 15	± 10	± 10	1.2	3.0	0.7	1.7
ET-D3LEW10 ET-D75LE10	± 40	± 40	± 20	± 15	0.9	2.0	0.5	1.1
ET-D3LES20 ET-D75LE20	± 40	± 40	± 20	± 15	0.7	1.3	0.4	0.7
ET-D3LET30 ET-D75LE30	± 45	± 40	± 20	± 15	0.5	0.9	0.3	0.5
ET-D3LET40 ET-D75LE40	± 45	± 40	± 20	± 15	0.3	0.5	0.2	0.3
ET-D3LET80 ET-D75LE8	± 45	± 40	± 20	± 15	0.2	0.3	0.1	0.2
ET-D3LEU101 ET-D3LEU100	±8	±5	-	-	-	-	-	-
ET-D3LEW50 ET-D75LE50	± 22	± 15	±8	±8	1.5	3.7	0.9	2.2
ET-D75LE95 ²	+ 5/- 0	0	-	-	-	-	-	-

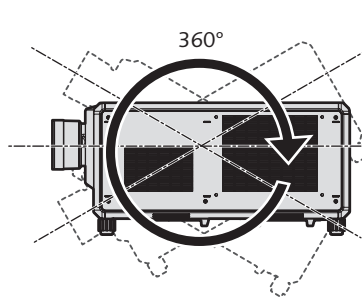
¹ When [VERTICAL KEYSTONE] and [HORIZONTAL KEYSTONE] are used simultaneously, correction cannot be made exceeding total of 55°.
² Only the vertical keystone correction angle can be corrected in the direction in which the projector body moves away from the screen.

Note

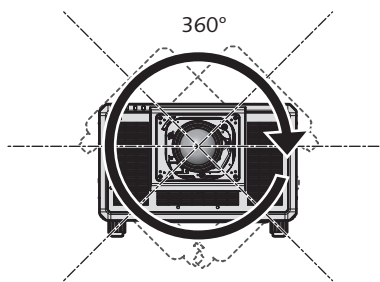
- When [GEOMETRY] is used, the focus of the entire screen may be lost as correction increases.
- Make the curved screen a circular arc shape with one part of a perfect circle removed.
- Adjustment range of the [GEOMETRY] items may not match the listed projection range depending on the projection lens. Use this projector within the projection range, otherwise the correction may not work.

Installable angle

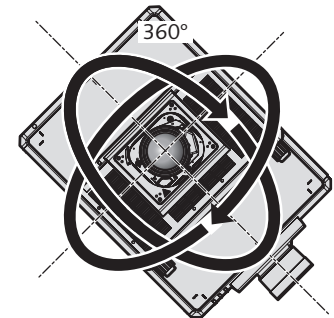
Install the projector at an angle within the range shown below.

FULL 360-degree projection

Vertical 360-deg.



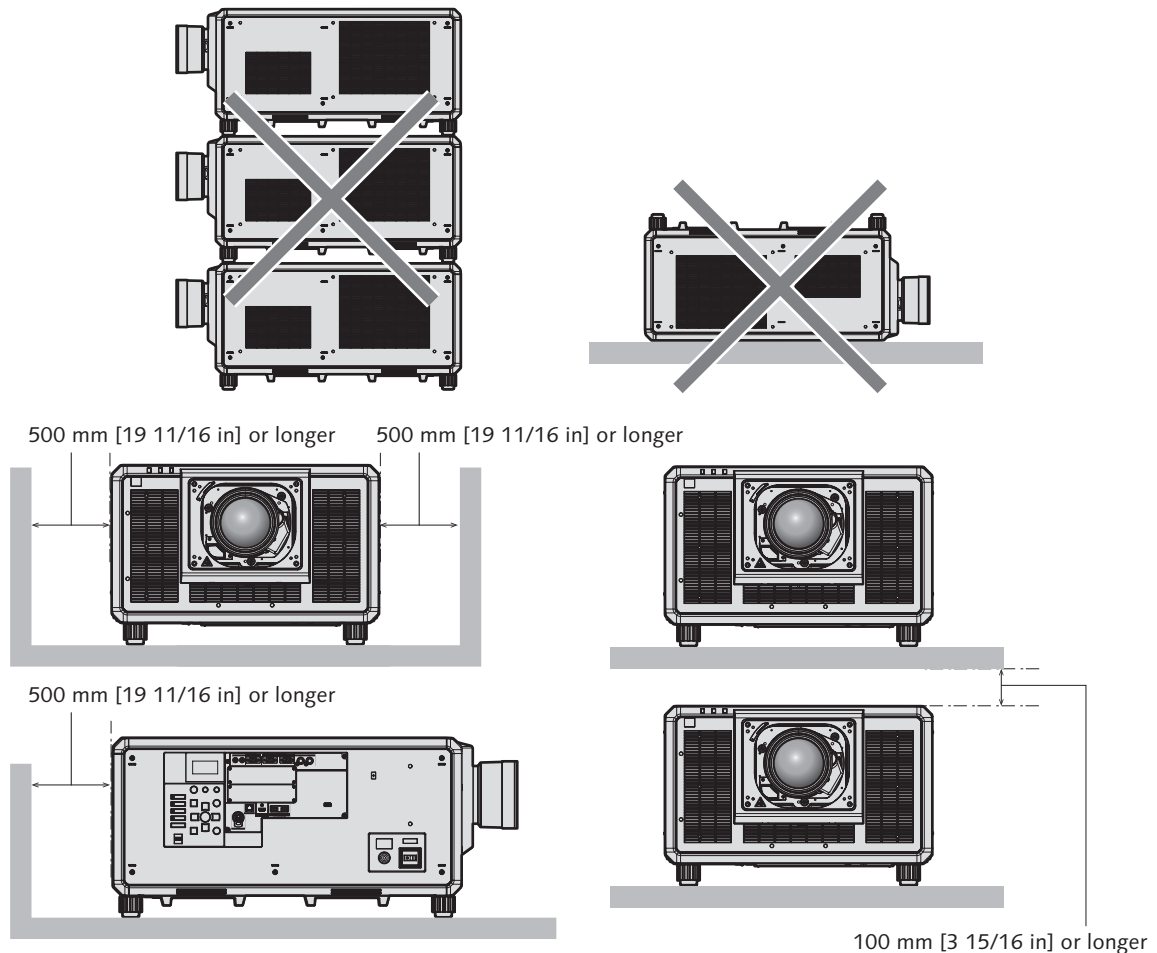
Horizontal 360-deg.



Tilting 360-deg.
(Vertical and Horizontal combination)

Notes on projector placement and operation

- Do not stack three or more projectors.
- Do not use the projector supporting it by the top.
- Do not block the intake/exhaust vents of the projector.
- Prevent hot and cool air from the air conditioning system to blow directly to the intake/exhaust vents of the projector.



- Do not install the projector in a confined space. When installing the projector in a confined space, provide air conditioning or ventilation separately. Exhaust heat may accumulate when the ventilation is not enough, triggering the protection circuit of the projector.
- When installing and fixing the projector on a ceiling or wall using a mount, make sure that the fixing screw or power cord does not come in contact with the metal section inside the ceiling or wall. Failure to observe this may result in electric shocks.
- Panasonic Connect Co., Ltd. takes no responsibility for any damage to the product caused by an inappropriate choice of location for installing the projector, even if the warranty period of the product has not expired.
- Immediately remove the product that is not in use anymore by asking a qualified technician.

List of compatible signals

For details of DisplayPort signal, refer to "List of DisplayPort compatible signals." For details of SDI signal, refer to "List of single link SDI compatible signals," "List of dual link SDI compatible signals," and "List of quad link SDI compatible signals". This projector supports the signal with ✓ in the compatible signal column.

Signal name (SIGNAL FORMAT)	Resolution (Dots)	Scanning freq.		Dot clock freq. (MHz)	Compatible signal		
		H (kHz)	V (Hz)		DIGITAL LINK	HDMI	DVI-D ¹
480/60p	720 x 480	31.5	59.9	27.0	✓	✓	✓
576/50p	720 x 576	31.3	50.0	27.0	✓	✓	✓
720/60p	1280 x 720	45.0	60.0 ²	74.3	✓	✓	✓
720/50p	1280 x 720	37.5	50.0	74.3	✓	✓	✓
720/120p	1280 x 720	90.0	120.0 ²	148.5	✓	✓	–
1080/60i	1920 x 1080i	33.8	60.0 ²	74.3	✓	✓	✓
1080/50i	1920 x 1080i	28.1	50.0	74.3	✓	✓	✓
1080/24p	1920 x 1080	27.0	24.0 ²	74.3	✓	✓	✓
1080/24sF	1920 x 1080i	27.0	48.0 ²	74.3	✓	✓	✓
1080/25p	1920 x 1080	28.1	25.0	74.3	✓	✓	✓
1080/30p	1920 x 1080	33.8	30.0 ²	74.3	✓	✓	✓
1080/60p	1920 x 1080	67.5	60.0 ²	148.5	✓	✓	✓
1080/50p	1920 x 1080	56.3	50.0	148.5	✓	✓	✓
1080/120p	1920 x 1080	135.0	120.0 ²	297.0	✓	✓	–
3840 x 2160/24p	3840 x 2160	54.0	24.0 ²	297.0	✓	✓	–
3840 x 2160/25p	3840 x 2160	56.3	25.0	297.0	✓	✓	–
3840 x 2160/30p	3840 x 2160	67.5	30.0 ²	297.0	✓	✓	–
3840 x 2160/60p	3840 x 2160	135.0	60.0 ²	297.0	✓ ³	✓ ³	–
	3840 x 2160	135.0	60.0 ²	594.0	✓	✓	–
3840 x 2160/50p	3840 x 2160	112.5	50.0	297.0	✓ ³	✓ ³	–
	3840 x 2160	112.5	50.0	594.0	–	✓	–
4096 x 2160/24p	4096 x 2160	54.0	24.0 ²	297.0	✓	✓	–
4096 x 2160/25p	4096 x 2160	56.3	25.0	297.0	✓	✓	–
4096 x 2160/30p	4096 x 2160	67.5	30.0 ²	297.0	✓	✓	–
4096 x 2160/60p	4096 x 2160	135.0	60.0 ²	297.0	✓ ³	✓ ³	–
	4096 x 2160	135.0	60.0 ²	594.0	–	✓	–
4096 x 2160/50p	4096 x 2160	112.5	50.0	297.0	✓ ³	✓ ³	–
	4096 x 2160	112.5	50.0	594.0	–	✓	–
640 x 480/60	640 x 480	31.5	59.9	25.2	✓	✓	✓
1024 x 768/50	1024 x 768	39.6	50.0	51.9	✓	✓	✓
1024 x 768/60	1024 x 768	48.4	60.0	65.0	✓	✓	✓
1280 x 800/50	1280 x 800	41.3	50.0	68.0	✓	✓	✓
1280 x 800/60	1280 x 800	49.7	59.8	83.5	✓	✓	✓
1280 x 1024/50	1280 x 1024	52.4	50.0	88.0	✓	✓	✓
1280 x 1024/60	1280 x 1024	64.0	60.0	108.0	✓	✓	✓
1366 x 768/50	1366 x 768	39.6	49.9	69.0	✓	✓	✓
1366 x 768/60	1366 x 768	47.7	59.8	85.5	✓	✓	✓
1400 x 1050/50	1400 x 1050	54.1	50.0	99.9	✓	✓	✓
1400 x 1050/60	1400 x 1050	65.2	60.0	122.6	✓	✓	✓
1440 x 900/50	1440 x 900	46.3	49.9	86.8	✓	✓	✓
1440 x 900/60	1440 x 900	55.9	59.9	106.5	✓	✓	✓
1600 x 900/50	1600 x 900	46.4	49.9	96.5	✓	✓	✓
1600 x 900/60	1600 x 900	55.9	60.0	119.0	✓	✓	✓
1600 x 1200/50	1600 x 1200	61.8	49.9	131.5	✓	✓	✓
1600 x 1200/60	1600 x 1200	75.0	60.0	162.0	✓	✓	✓
1680 x 1050/50	1680 x 1050	54.1	50.0	119.5	✓	✓	✓
1680 x 1050/60	1680 x 1050	65.3	60.0	146.3	✓	✓	✓
1920 x 1200/50	1920 x 1200	61.8	49.9	158.3	✓	✓	✓
1920 x 1200/60RB	1920 x 1200 ⁴	74.0	60.0	154.0	✓	✓	✓
3840 x 2400/30	3840 x 2400 ⁴	73.0	30.0	286.2	✓	✓	–
3840 x 2400/50	3840 x 2400 ⁴	122.9	50.0	481.6	–	✓	–
3840 x 2400/60	3840 x 2400 ⁴	148.1	60.0	592.5	–	✓	–

1 This is supported when the optional Interface Board for DVI-D 2 input (Model No.: ET-MDNDV10) is installed in the slot.

2 The signal with 1/1.001x vertical scanning frequency is also supported.

3 YPbPr 4:2:0 format only

4 VESA CVT-RB (Reduced Blanking)-compliant

Note

- A signal with a different resolution is converted to the number of display dots. The number of display dots is as follows. 1920 x 1200
- The "i" at the end of the resolution indicates an interlaced signal.
- When interlaced signals are connected, flickering may occur on the projected image.

List of Plug and play compatible signals

The following table specifies the video signals compatible with plug and play.

Signal with ✓ in the plug and play compatible signal column is the signal described in the EDID (extended display identification data) of the projector.

For the signal without ✓ in the plug and play compatible signal column, the resolution may not be selected on the computer even if the projector is supporting it.

Signal name (SIGNAL FORMAT)	Resolution (Dots)	Scanning freq.		Dot clock freq. (MHz)	Plug and play Compatible signal								
		H (kHz)	V (Hz)		DIGITAL LINK			HDMI			DVI-D		
					4K/60p	4K/30p*1	2K	4K/60p*2	4K/30p	2K	EDID1	EDID2	EDID3
480/60p	720 x 480	31.5	59.9	27.0	✓	✓	✓	✓	✓	✓	✓	–	✓
576/50p	720 x 576	31.3	50.0	27.0	✓	✓	✓	✓	✓	✓	✓	–	✓
720/60p	1280 x 720	45.0	60.0	74.3	✓	✓	✓	✓	✓	✓	✓	–	✓
720/50p	1280 x 720	37.5	50.0	74.3	✓	✓	✓	✓	✓	✓	✓	–	✓
720/120p	1280 x 720	90.0	120.0	148.5	–	–	–	–	–	–	–	–	–
1080/60i	1920 x 1080i	33.8	60.0	74.3	✓	✓	✓	✓	✓	✓	✓	–	✓
1080/50i	1920 x 1080i	28.1	50.0	74.3	✓	✓	✓	✓	✓	✓	✓	–	✓
1080/24p	1920 x 1080	27.0	24.0	74.3	✓	✓	✓	✓	✓	✓	✓	–	✓
1080/24sF	1920 x 1080i	27.0	48.0	74.3	–	–	–	–	–	–	–	–	–
1080/25p	1920 x 1080	28.1	25.0	74.3	✓	✓	✓	✓	✓	✓	✓	–	✓
1080/30p	1920 x 1080	33.8	30.0	74.3	✓	✓	✓	✓	✓	✓	✓	–	✓
1080/60p	1920 x 1080	67.5	60.0	148.5	✓	✓	✓	✓	✓	✓	✓	–	✓
1080/50p	1920 x 1080	56.3	50.0	148.5	✓	✓	✓	✓	✓	✓	✓	–	✓
1080/120p	1920 x 1080	135.0	120.0	297.0	✓	✓	–	✓	✓	–	–	–	–
3840 x 2160/24p	3840 x 2160	54.0	24.0	297.0	✓	✓	–	✓	✓	–	–	–	–
3840 x 2160/25p	3840 x 2160	56.3	25.0	297.0	✓	✓	–	✓	✓	–	–	–	–
3840 x 2160/30p	3840 x 2160	67.5	30.0	297.0	✓	✓	–	✓	✓	–	–	–	–
3840 x 2160/60p	3840 x 2160	135.0	60.0	297.0	✓ ³	–	–	✓ ³	–	–	–	–	–
	3840 x 2160	135.0	60.0	594.0	–	–	–	✓	–	–	–	–	–
3840 x 2160/50p	3840 x 2160	112.5	50.0	297.0	✓ ³	–	–	✓ ³	–	–	–	–	–
	3840 x 2160	112.5	50.0	594.0	–	–	–	✓	–	–	–	–	–
4096 x 2160/24p	4096 x 2160	54.0	24.0	297.0	✓	✓	–	✓	✓	–	–	–	–
4096 x 2160/25p	4096 x 2160	56.3	25.0	297.0	✓	✓	–	✓	✓	–	–	–	–
4096 x 2160/30p	4096 x 2160	67.5	30.0	297.0	✓	✓	–	✓	✓	–	–	–	–
4096 x 2160/60p	4096 x 2160	135.0	60.0	297.0	✓ ³	–	–	✓ ³	–	–	–	–	–
	4096 x 2160	135.0	60.0	594.0	–	–	–	✓	–	–	–	–	–
4096 x 2160/50p	4096 x 2160	112.5	50.0	297.0	✓ ³	–	–	✓ ³	–	–	–	–	–
	4096 x 2160	112.5	50.0	594.0	–	–	–	✓	–	–	–	–	–
640 x 480/60	640 x 480	31.5	59.9	25.2	✓	✓	✓	✓	✓	✓	✓	✓	✓
1024 x 768/50	1024 x 768	39.6	50.0	51.9	–	–	–	–	–	–	–	–	–
1024 x 768/60	1024 x 768	48.4	60.0	65.0	✓	✓	✓	✓	✓	✓	✓	✓	✓
1280 x 800/50	1280 x 800	41.3	50.0	68.0	–	–	–	–	–	–	–	–	–
1280 x 800/60	1280 x 800	49.7	59.8	83.5	–	–	–	–	–	–	–	–	–
1280 x 1024/50	1280 x 1024	52.4	50.0	88.0	–	–	–	–	–	–	–	–	–
1280 x 1024/60	1280 x 1024	64.0	60.0	108.0	–	–	–	–	–	–	–	–	–
1366 x 768/50	1366 x 768	39.6	49.9	69.0	–	–	–	–	–	–	–	–	–
1366 x 768/60	1366 x 768	47.7	59.8	85.5	–	–	–	–	–	–	–	–	–
1400 x 1050/50	1400 x 1050	54.1	50.0	99.9	–	–	–	–	–	–	–	–	–
1400 x 1050/60	1400 x 1050	65.2	60.0	122.6	✓	✓	✓	✓	✓	✓	✓	✓	✓
1440 x 900/50	1440 x 900	46.3	49.9	86.8	–	–	–	–	–	–	–	–	–
1440 x 900/60	1440 x 900	55.9	59.9	106.5	–	–	–	–	–	–	–	–	–
1600 x 900/50	1600 x 900	46.4	49.9	96.5	–	–	–	–	–	–	–	–	–
1600 x 900/60	1600 x 900	55.9	60.0	119.0	✓	✓	✓	✓	✓	✓	–	✓	✓
1600 x 1200/50	1600 x 1200	61.8	49.9	131.5	–	–	–	–	–	–	–	–	–
1600 x 1200/60	1600 x 1200	75.0	60.0	162.0	✓	✓	✓	✓	✓	✓	–	✓	✓
1680 x 1050/50	1680 x 1050	54.1	50.0	119.5	–	–	–	–	–	–	–	–	–
1680 x 1050/60	1680 x 1050	65.3	60.0	146.3	–	–	–	–	–	–	–	–	–
1920 x 1200/50	1920 x 1200	61.8	49.9	158.3	–	–	–	–	–	–	–	–	–
1920 x 1200/60RB	1920 x 1200 ⁴	74.0	60.0	154.0	✓	✓	✓	✓	✓	✓	–	✓	✓
3840 x 2400/30	3840 x 2400 ⁴	73.0	30.0	286.2	–	–	–	–	–	–	–	–	–
3840 x 2400/50	3840 x 2400 ⁴	122.9	50.0	481.6	–	–	–	–	–	–	–	–	–
3840 x 2400/60	3840 x 2400 ⁴	148.1	60.0	592.5	–	–	–	–	–	–	–	–	–

1 4K/30p indicates 4K/30p/SDR and 4K/30p/HDR.

2 4K/60p indicates 4K/60p/SDR and 4K/60p/HDR.

3 YPbPr 4:2:0 format only

4 VESA CVT-RB (Reduced Blanking)-compliant

List of DisplayPort compatible signals

The following table specifies the DisplayPort signals that the projector can project.

This is supported when the optional Interface Board for DisplayPort 2 input (Model No.: ET-MDNDP10) is installed in the slot.

The following table specifies the video signals compatible with plug and play. Signal with ✓ in the plug and play compatible signal column is the signal described in the EDID (extended display identification data) of the projector. For the signal without ✓ in the plug and play compatible signal column, the resolution may not be selected on the computer even if the projector is supporting it.

Signal name (SIGNAL FORMAT)	Resolution (Dots)	Scanning freq.		Dot clock freq. (MHz)	Plug and play Compatible signal		
		H (KHz)	V (Hz)		4K/60p/HDR 4K/60p/SDR	4K/30p	2K
720/60p	1280 x 720	45.0	60.0 ¹	74.3	✓	✓	✓
720/50p	1280 x 720	37.5	50.0	74.3	✓	✓	✓
720/120p	1280 x 720	90.0	120.0 ¹	148.5	–	–	–
1080/24p	1920 x 1080	27.0	24.0 ¹	74.3	✓	✓	✓
1080/25p	1920 x 1080	28.1	25.0	74.3	✓	✓	✓
1080/30p	1920 x 1080	33.8	30.0 ¹	74.3	✓	✓	✓
1080/60p	1920 x 1080	67.5	60.0 ¹	148.5	✓	✓	✓
1080/50p	1920 x 1080	56.3	50.0	148.5	✓	✓	✓
1080/120p	1920 x 1080	135.0	120.0 ¹	297.0	✓	✓	–
3840 x 2160/24p	3840 x 2160	54.0	24.0 ¹	297.0	✓	✓	–
3840 x 2160/25p	3840 x 2160	56.3	25.0	297.0	✓	✓	–
3840 x 2160/30p	3840 x 2160	67.5	30.0 ¹	297.0	✓	✓	–
3840 x 2160/60p	3840 x 2160	135.0	60.0 ¹	594.0	✓	–	–
3840 x 2160/50p	3840 x 2160	112.5	50.0	594.0	✓	–	–
4096 x 2160/24p	4096 x 2160	54.0	24.0 ¹	297.0	✓	✓	–
4096 x 2160/25p	4096 x 2160	56.3	25.0	297.0	✓	✓	–
4096 x 2160/30p	4096 x 2160	67.5	30.0 ¹	297.0	✓	✓	–
4096 x 2160/60p	4096 x 2160	135.0	60.0 ¹	594.0	✓	–	–
4096 x 2160/50p	4096 x 2160	112.5	50.0	594.0	✓	–	–
640 x 480/60	640 x 480	31.5	59.9	25.2	✓	✓	✓
1024 x 768/50	1024 x 768	39.6	50.0	51.9	–	–	–
1024 x 768/60	1024 x 768	48.4	60.0	65.0	✓	✓	✓
1280 x 800/50	1280 x 800	41.3	50.0	68.0	–	–	–
1280 x 800/60	1280 x 800	49.7	59.8	83.5	–	–	–
1400 x 1050/50	1400 x 1050	54.1	50.0	99.9	–	–	–
1400 x 1050/60	1400 x 1050	65.2	60.0	122.6	✓	✓	✓
1600 x 900/50	1600 x 900	46.4	49.9	96.5	–	–	–
1600 x 900/60	1600 x 900	55.9	60.0	119.0	✓	✓	✓
1600 x 1200/50	1600 x 1200	61.8	49.9	131.5	–	–	–
1600 x 1200/60	1600 x 1200	75.0	60.0	162.0	✓	✓	✓
1920 x 1200/50	1920 x 1200	61.8	49.9	158.3	–	–	–
1920 x 1200/60RB	1920 x 1200 ²	74.0	60.0	154.0	✓	✓	✓
3840 x 2400/30	3840 x 2400 ²	73.0	30.0	286.2	–	–	–
3840 x 2400/50	3840 x 2400 ²	122.9	50.0	481.6	–	–	–
3840 x 2400/60	3840 x 2400 ²	148.1	60.0	592.5	–	–	–

1 The signal with 1/1.001x vertical scanning frequency is also supported.

2 VESA CVT-RB (Reduced Blanking) compliant

Note

- If connecting the projector to a computer that uses an early-type chipset or graphics card compatible with DisplayPort, the projector or computer may not be operated properly when the signal output from DisplayPort on the computer is input to the projector. In such a case, switch off the projector or computer and then switch it on.
If the signal output from DisplayPort is input to the projector, use of the computer equipped with the latest chipset or graphics card is recommended.

List of Single link SDI compatible signals

The following table specifies the Single link SDI signals that the projector can project.

- The content of the 4K division column is as follows.

-IL: Interleave (transmission format of 2-Sample Interleave Division)

Signal name (SIGNAL FORMAT)	Resolution (Dots)	Scanning freq.		Dot clock freq. (MHz)	4K division	Format	Color format	Sampling
		H (kHz)	V (Hz)					
720/60p	1280 x 720	45.0	60.0 ¹	74.3	–	HD-SDI	YP _B Pr	4:2:2 10bit
720/50p	1280 x 720	37.5	50.0	74.3	–	HD-SDI	YP _B Pr	4:2:2 10bit
1080/60i	1920 x 1080i	33.8	60.0 ¹	74.3	–	HD-SDI	YP _B Pr	4:2:2 10bit
	1920 x 1080i	33.8	60.0 ¹	74.3	–	3G-SDI Level-A	RGB	4:4:4 10bit
	1920 x 1080i	33.8	60.0 ¹	74.3	–	3G-SDI Level-B	RGB	4:4:4 10bit
	1920 x 1080i	33.8	60.0 ¹	74.3	–	3G-SDI Level-A	RGB	4:4:4 12bit
	1920 x 1080i	33.8	60.0 ¹	74.3	–	3G-SDI Level-B	RGB	4:4:4 12bit
1080/50i	1920 x 1080i	28.1	50.0	74.3	–	HD-SDI	YP _B Pr	4:2:2 10bit
	1920 x 1080i	28.1	50.0	74.3	–	3G-SDI Level-A	RGB	4:4:4 10bit
	1920 x 1080i	28.1	50.0	74.3	–	3G-SDI Level-B	RGB	4:4:4 10bit
	1920 x 1080i	28.1	50.0	74.3	–	3G-SDI Level-A	RGB	4:4:4 12bit
	1920 x 1080i	28.1	50.0	74.3	–	3G-SDI Level-B	RGB	4:4:4 12bit
1080/24p	1920 x 1080	27.0	24.0 ¹	74.3	–	HD-SDI	YP _B Pr	4:2:2 10bit
	1920 x 1080	27.0	24.0 ¹	74.3	–	3G-SDI Level-A	RGB	4:4:4 10bit
	1920 x 1080	27.0	24.0 ¹	74.3	–	3G-SDI Level-B	RGB	4:4:4 10bit
	1920 x 1080	27.0	24.0 ¹	74.3	–	3G-SDI Level-A	RGB	4:4:4 12bit
	1920 x 1080	27.0	24.0 ¹	74.3	–	3G-SDI Level-B	RGB	4:4:4 12bit
1080/24sF	1920 x 1080i	27.0	48.0 ¹	74.3	–	HD-SDI	YP _B Pr	4:2:2 10bit
	1920 x 1080i	27.0	48.0 ¹	74.3	–	3G-SDI Level-A	RGB	4:4:4 10bit
	1920 x 1080i	27.0	48.0 ¹	74.3	–	3G-SDI Level-B	RGB	4:4:4 10bit
	1920 x 1080i	27.0	48.0 ¹	74.3	–	3G-SDI Level-A	RGB	4:4:4 12bit
	1920 x 1080i	27.0	48.0 ¹	74.3	–	3G-SDI Level-B	RGB	4:4:4 12bit
1080/25p	1920 x 1080	28.1	25.0	74.3	–	HD-SDI	YP _B Pr	4:2:2 10bit
	1920 x 1080	28.1	25.0	74.3	–	3G-SDI Level-A	RGB	4:4:4 10bit
	1920 x 1080	28.1	25.0	74.3	–	3G-SDI Level-B	RGB	4:4:4 10bit
	1920 x 1080	28.1	25.0	74.3	–	3G-SDI Level-A	RGB	4:4:4 12bit
	1920 x 1080	28.1	25.0	74.3	–	3G-SDI Level-B	RGB	4:4:4 12bit
1080/30p	1920 x 1080	33.8	30.0 ¹	74.3	–	HD-SDI	YP _B Pr	4:2:2 10bit
	1920 x 1080	33.8	30.0 ¹	74.3	–	3G-SDI Level-A	RGB	4:4:4 10bit
	1920 x 1080	33.8	30.0 ¹	74.3	–	3G-SDI Level-B	RGB	4:4:4 10bit
	1920 x 1080	33.8	30.0 ¹	74.3	–	3G-SDI Level-A	RGB	4:4:4 12bit
	1920 x 1080	33.8	30.0 ¹	74.3	–	3G-SDI Level-B	RGB	4:4:4 12bit
1080/60p	1920 x 1080	67.5	60.0 ¹	148.5	–	3G-SDI Level-A	YP _B Pr	4:2:2 10bit
	1920 x 1080	67.5	60.0 ¹	148.5	–	3G-SDI Level-B	YP _B Pr	4:2:2 10bit
	1920 x 1080 ²	67.5	60.0 ¹	148.5	–	6G-SDI Type 1	YP _B Pr	4:4:4 10bit
	1920 x 1080 ²	67.5	60.0 ¹	148.5	–	6G-SDI Type 1	YP _B Pr	4:4:4 12bit
	1920 x 1080 ²	67.5	60.0 ¹	148.5	–	6G-SDI Type 1	RGB	4:4:4 12bit
1080/50p	1920 x 1080	56.3	50.0	148.5	–	3G-SDI Level-A	YP _B Pr	4:2:2 10bit
	1920 x 1080	56.3	50.0	148.5	–	3G-SDI Level-B	YP _B Pr	4:2:2 10bit
	1920 x 1080 ²	56.3	50.0	148.5	–	6G-SDI Type 1	YP _B Pr	4:4:4 10bit
	1920 x 1080 ²	56.3	50.0	148.5	–	6G-SDI Type 1	YP _B Pr	4:4:4 12bit
	1920 x 1080 ²	56.3	50.0	148.5	–	6G-SDI Type 1	RGB	4:4:4 12bit
2K/24p	2048 x 1080	27.0	24.0 ¹	74.3	–	3G-SDI Level-A	RGB	4:4:4 10bit
	2048 x 1080	27.0	24.0 ¹	74.3	–	3G-SDI Level-B	RGB	4:4:4 10bit
	2048 x 1080	27.0	24.0 ¹	74.3	–	3G-SDI Level-A	RGB	4:4:4 12bit
	2048 x 1080	27.0	24.0 ¹	74.3	–	3G-SDI Level-B	RGB	4:4:4 12bit
2K/25p	2048 x 1080	28.1	25.0	74.3	–	3G-SDI Level-A	RGB	4:4:4 10bit
	2048 x 1080	28.1	25.0	74.3	–	3G-SDI Level-B	RGB	4:4:4 10bit
	2048 x 1080	28.1	25.0	74.3	–	3G-SDI Level-A	RGB	4:4:4 12bit
	2048 x 1080	28.1	25.0	74.3	–	3G-SDI Level-B	RGB	4:4:4 12bit
2K/30p	2048 x 1080	33.8	30.0 ¹	74.3	–	3G-SDI Level-A	RGB	4:4:4 10bit
	2048 x 1080	33.8	30.0 ¹	74.3	–	3G-SDI Level-B	RGB	4:4:4 10bit
	2048 x 1080	33.8	30.0 ¹	74.3	–	3G-SDI Level-A	RGB	4:4:4 12bit
	2048 x 1080	33.8	30.0 ¹	74.3	–	3G-SDI Level-B	RGB	4:4:4 12bit
2K/48p	2048 x 1080	54.0	48.0 ¹	148.5	–	3G-SDI Level-A	YP _B Pr	4:2:2 10bit
	2048 x 1080	54.0	48.0 ¹	148.5	–	3G-SDI Level-B	YP _B Pr	4:2:2 10bit

Signal name (SIGNAL FORMAT)	Resolution (Dots)	Scanning freq.		Dot clock freq. (MHz)	4K division	Format	Color format	Sampling
		H (kHz)	V (Hz)					
2K/60p	2048 x 1080	67.5	60.0 ¹	148.5	–	3G-SDI Level-A	YPbPr	4:2:2 10bit
	2048 x 1080	67.5	60.0 ¹	148.5	–	3G-SDI Level-B	YPbPr	4:2:2 10bit
	2048 x 1080 ²	67.5	60.0 ¹	148.5	–	6G-SDI Type 1	YPbPr	4:4:4 10bit
	2048 x 1080 ²	67.5	60.0 ¹	148.5	–	6G-SDI Type 1	RGB	4:4:4 10bit
	2048 x 1080 ²	67.5	60.0 ¹	148.5	–	6G-SDI Type 1	RGB	4:4:4 12bit
2K/50p	2048 x 1080	56.3	50.0	148.5	–	3G-SDI Level-A	YPbPr	4:2:2 10bit
	2048 x 1080	56.3	50.0	148.5	–	3G-SDI Level-B	YPbPr	4:2:2 10bit
	2048 x 1080 ²	56.3	50.0	148.5	–	6G-SDI Type 1	YPbPr	4:4:4 10bit
	2048 x 1080 ²	56.3	50.0	148.5	–	6G-SDI Type 1	RGB	4:4:4 10bit
	2048 x 1080 ²	56.3	50.0	148.5	–	6G-SDI Type 1	RGB	4:4:4 12bit
3840 x 2160/24p	3840 x 2160 ²	54.0	24.0 ¹	297.0	IL	6G-SDI Type 2	YPbPr	4:2:2 10bit
	3840 x 2160 ²	54.0	24.0 ¹	297.0	IL	12G-SDI Type 1	YPbPr	4:2:2 12bit
	3840 x 2160 ²	54.0	24.0 ¹	297.0	IL	12G-SDI Type 1	YPbPr	4:4:4 10bit
	3840 x 2160 ²	54.0	24.0 ¹	297.0	IL	12G-SDI Type 1	YPbPr	4:4:4 12bit
	3840 x 2160 ²	54.0	24.0 ¹	297.0	IL	12G-SDI Type 1	RGB	4:4:4 10bit
3840 x 2160/25p	3840 x 2160 ²	56.3	25.0	297.0	IL	6G-SDI Type 2	YPbPr	4:2:2 10bit
	3840 x 2160 ²	56.3	25.0	297.0	IL	12G-SDI Type 1	YPbPr	4:2:2 12bit
	3840 x 2160 ²	56.3	25.0	297.0	IL	12G-SDI Type 1	YPbPr	4:4:4 10bit
	3840 x 2160 ²	56.3	25.0	297.0	IL	12G-SDI Type 1	YPbPr	4:4:4 12bit
	3840 x 2160 ²	56.3	25.0	297.0	IL	12G-SDI Type 1	RGB	4:4:4 10bit
3840 x 2160/30p	3840 x 2160 ²	67.5	30.0 ¹	297.0	IL	6G-SDI Type 2	YPbPr	4:2:2 10bit
	3840 x 2160 ²	67.5	30.0 ¹	297.0	IL	12G-SDI Type 1	YPbPr	4:2:2 12bit
	3840 x 2160 ²	67.5	30.0 ¹	297.0	IL	12G-SDI Type 1	YPbPr	4:4:4 10bit
	3840 x 2160 ²	67.5	30.0 ¹	297.0	IL	12G-SDI Type 1	YPbPr	4:4:4 12bit
	3840 x 2160 ²	67.5	30.0 ¹	297.0	IL	12G-SDI Type 1	RGB	4:4:4 10bit
3840 x 2160/60p	3840 x 2160 ²	135.0	60.0 ¹	594.0	IL	12G-SDI Type 1	YPbPr	4:2:2 10bit
3840 x 2160/50p	3840 x 2160 ²	112.5	50.0	594.0	IL	12G-SDI Type 1	YPbPr	4:2:2 10bit
4096 x 2160/24p	4096 x 2160 ²	54.0	24.0 ¹	297.0	IL	6G-SDI Type 2	YPbPr	4:2:2 10bit
	4096 x 2160 ²	54.0	24.0 ¹	297.0	IL	12G-SDI Type 1	YPbPr	4:2:2 12bit
	4096 x 2160 ²	54.0	24.0 ¹	297.0	IL	12G-SDI Type 1	YPbPr	4:4:4 10bit
	4096 x 2160 ²	54.0	24.0 ¹	297.0	IL	12G-SDI Type 1	YPbPr	4:4:4 12bit
	4096 x 2160 ²	54.0	24.0 ¹	297.0	IL	12G-SDI Type 1	RGB	4:4:4 10bit
4096 x 2160/25p	4096 x 2160 ²	56.3	25.0	297.0	IL	6G-SDI Type 2	YPbPr	4:2:2 10bit
	4096 x 2160 ²	56.3	25.0	297.0	IL	12G-SDI Type 1	YPbPr	4:2:2 12bit
	4096 x 2160 ²	56.3	25.0	297.0	IL	12G-SDI Type 1	YPbPr	4:4:4 10bit
	4096 x 2160 ²	56.3	25.0	297.0	IL	12G-SDI Type 1	YPbPr	4:4:4 12bit
	4096 x 2160 ²	56.3	25.0	297.0	IL	12G-SDI Type 1	RGB	4:4:4 10bit
4096 x 2160/30p	4096 x 2160 ²	67.5	30.0 ¹	297.0	IL	6G-SDI Type 2	YPbPr	4:2:2 10bit
	4096 x 2160 ²	67.5	30.0 ¹	297.0	IL	12G-SDI Type 1	YPbPr	4:2:2 12bit
	4096 x 2160 ²	67.5	30.0 ¹	297.0	IL	12G-SDI Type 1	YPbPr	4:4:4 10bit
	4096 x 2160 ²	67.5	30.0 ¹	297.0	IL	12G-SDI Type 1	YPbPr	4:4:4 12bit
	4096 x 2160 ²	67.5	30.0 ¹	297.0	IL	12G-SDI Type 1	RGB	4:4:4 10bit
4096 x 2160/60p	4096 x 2160 ²	135.0	60.0 ¹	594.0	IL	12G-SDI Type 1	YPbPr	4:2:2 10bit
4096 x 2160/50p	4096 x 2160 ²	112.5	50.0	594.0	IL	12G-SDI Type 1	YPbPr	4:2:2 10bit

1 The signal with 1/1.001x vertical scanning frequency is also supported.

2 Only the combination of the <SDI 1 IN> terminal and the <SDI 3 IN> terminal of the optional interface Board for 12G-SDI (Model No.:ET-MDN12G10) is supported.

List of Dual link SDI compatible signals

The following table specifies the dual signal SDI signals that the projector can project.

This is supported when the Interface Board for 12G-SDI (Model No.: ET-MDN12G10) is installed in the slot.

- The content of the 4K division column is as follows.

-IL: Interleave (transmission format of 2-Sample Interleave Division)

Signal name (SIGNAL FORMAT)	Resolution (Dots)	Scanning freq.		Dot clock freq. (MHz)	4K division	Format	Color format	Sampling
		H (kHz)	V (Hz)					
1080/60p	1920 x 1080	67.5	60.0 ¹	148.5	–	HD-SDI	YPbPr	4:2:2 10bit
	1920 x 1080	67.5	60.0 ¹	148.5	–	3G-SDI Level-A	YPbPr	4:4:4 10bit
	1920 x 1080	67.5	60.0 ¹	148.5	–	3G-SDI Level-B	YPbPr	4:4:4 10bit
	1920 x 1080	67.5	60.0 ¹	148.5	–	3G-SDI Level-A	YPbPr	4:4:4 12bit
	1920 x 1080	67.5	60.0 ¹	148.5	–	3G-SDI Level-B	YPbPr	4:4:4 12bit
	1920 x 1080	67.5	60.0 ¹	148.5	–	3G-SDI Level-A	RGB	4:4:4 10bit
	1920 x 1080	67.5	60.0 ¹	148.5	–	3G-SDI Level-B	RGB	4:4:4 10bit
	1920 x 1080	67.5	60.0 ¹	148.5	–	3G-SDI Level-A	RGB	4:4:4 12bit
1080/50p	1920 x 1080	56.3	50.0	148.5	–	HD-SDI	YPbPr	4:2:2 10bit
	1920 x 1080	56.3	50.0	148.5	–	3G-SDI Level-A	YPbPr	4:4:4 10bit
	1920 x 1080	56.3	50.0	148.5	–	3G-SDI Level-B	YPbPr	4:4:4 10bit
	1920 x 1080	56.3	50.0	148.5	–	3G-SDI Level-A	YPbPr	4:4:4 12bit
	1920 x 1080	56.3	50.0	148.5	–	3G-SDI Level-B	YPbPr	4:4:4 12bit
	1920 x 1080	56.3	50.0	148.5	–	3G-SDI Level-A	RGB	4:4:4 10bit
	1920 x 1080	56.3	50.0	148.5	–	3G-SDI Level-B	RGB	4:4:4 10bit
	1920 x 1080	56.3	50.0	148.5	–	3G-SDI Level-A	RGB	4:4:4 12bit
2K/48p	2048 x 1080	54.0	48.0 ¹	148.5	–	3G-SDI Level-A	YPbPr	4:4:4 10bit
	2048 x 1080	54.0	48.0 ¹	148.5	–	3G-SDI Level-B	YPbPr	4:4:4 10bit
	2048 x 1080	54.0	48.0 ¹	148.5	–	3G-SDI Level-A	YPbPr	4:4:4 12bit
	2048 x 1080	54.0	48.0 ¹	148.5	–	3G-SDI Level-B	YPbPr	4:4:4 12bit
	2048 x 1080	54.0	48.0 ¹	148.5	–	3G-SDI Level-A	RGB	4:4:4 10bit
	2048 x 1080	54.0	48.0 ¹	148.5	–	3G-SDI Level-B	RGB	4:4:4 10bit
	2048 x 1080	54.0	48.0 ¹	148.5	–	3G-SDI Level-A	RGB	4:4:4 12bit
	2048 x 1080	54.0	48.0 ¹	148.5	–	3G-SDI Level-B	RGB	4:4:4 12bit
2K/50p	2048 x 1080	56.3	50.0	148.5	–	3G-SDI Level-A	YPbPr	4:4:4 10bit
	2048 x 1080	56.3	50.0	148.5	–	3G-SDI Level-B	YPbPr	4:4:4 10bit
	2048 x 1080	56.3	50.0	148.5	–	3G-SDI Level-A	YPbPr	4:4:4 12bit
	2048 x 1080	56.3	50.0	148.5	–	3G-SDI Level-B	YPbPr	4:4:4 12bit
	2048 x 1080	56.3	50.0	148.5	–	3G-SDI Level-A	RGB	4:4:4 10bit
	2048 x 1080	56.3	50.0	148.5	–	3G-SDI Level-B	RGB	4:4:4 10bit
	2048 x 1080	56.3	50.0	148.5	–	3G-SDI Level-A	RGB	4:4:4 12bit
	2048 x 1080	56.3	50.0	148.5	–	3G-SDI Level-B	RGB	4:4:4 12bit
2K/60p	2048 x 1080	67.5	60.0 ¹	148.5	–	3G-SDI Level-A	YPbPr	4:4:4 10bit
	2048 x 1080	67.5	60.0 ¹	148.5	–	3G-SDI Level-B	YPbPr	4:4:4 10bit
	2048 x 1080	67.5	60.0 ¹	148.5	–	3G-SDI Level-A	YPbPr	4:4:4 12bit
	2048 x 1080	67.5	60.0 ¹	148.5	–	3G-SDI Level-B	YPbPr	4:4:4 12bit
	2048 x 1080	67.5	60.0 ¹	148.5	–	3G-SDI Level-A	RGB	4:4:4 10bit
	2048 x 1080	67.5	60.0 ¹	148.5	–	3G-SDI Level-B	RGB	4:4:4 10bit
	2048 x 1080	67.5	60.0 ¹	148.5	–	3G-SDI Level-A	RGB	4:4:4 12bit
	2048 x 1080	67.5	60.0 ¹	148.5	–	3G-SDI Level-B	RGB	4:4:4 12bit
3840 x 2160/24p	3840 x 2160 ²	54.0	24.0 ¹	297.0	IL	6G-SDI Type 1	YPbPr	4:2:2 12bit
	3840 x 2160 ²	54.0	24.0 ¹	297.0	IL	6G-SDI Type 1	YPbPr	4:4:4 10bit
	3840 x 2160 ²	54.0	24.0 ¹	297.0	IL	6G-SDI Type 1	YPbPr	4:4:4 12bit
	3840 x 2160 ²	54.0	24.0 ¹	297.0	IL	6G-SDI Type 1	RGB	4:4:4 10bit
	3840 x 2160 ²	54.0	24.0 ¹	297.0	IL	6G-SDI Type 1	RGB	4:4:4 12bit
3840 x 2160/25p	3840 x 2160 ²	56.3	25.0	297.0	IL	6G-SDI Type 1	YPbPr	4:2:2 12bit
	3840 x 2160 ²	56.3	25.0	297.0	IL	6G-SDI Type 1	YPbPr	4:4:4 10bit
	3840 x 2160 ²	56.3	25.0	297.0	IL	6G-SDI Type 1	YPbPr	4:4:4 12bit
	3840 x 2160 ²	56.3	25.0	297.0	IL	6G-SDI Type 1	RGB	4:4:4 10bit
	3840 x 2160 ²	56.3	25.0	297.0	IL	6G-SDI Type 1	RGB	4:4:4 12bit
3840 x 2160/30p	3840 x 2160 ²	56.3	30.0 ¹	297.0	IL	6G-SDI Type 1	YPbPr	4:2:2 12bit
	3840 x 2160 ²	56.3	30.0 ¹	297.0	IL	6G-SDI Type 1	YPbPr	4:4:4 10bit
	3840 x 2160 ²	56.3	30.0 ¹	297.0	IL	6G-SDI Type 1	YPbPr	4:4:4 12bit
	3840 x 2160 ²	56.3	30.0 ¹	297.0	IL	6G-SDI Type 1	RGB	4:4:4 10bit
	3840 x 2160 ²	56.3	30.0 ¹	297.0	IL	6G-SDI Type 1	RGB	4:4:4 12bit

Signal name (SIGNAL FORMAT)	Resolution (Dots)	Scanning freq.		Dot clock freq. (MHz)	4K division	Format	Color format	Sampling
		H (kHz)	V (Hz)					
3840 x 2160/60p	3840 x 2160 ²	135.0	60.0 ¹	594.0	IL	6G-SDI Type 1	YP _B P _R	4:2:2 10bit
3840 x 2160/50p	3840 x 2160 ²	112.5	50.0	594.0	IL	6G-SDI Type 1	YP _B P _R	4:2:2 10bit
4096 x 2160/24p	4096 x 2160 ²	54.0	24.0 ¹	297.0	IL	6G-SDI Type 1	YP _B P _R	4:2:2 12bit
	4096 x 2160 ²	54.0	24.0 ¹	297.0	IL	6G-SDI Type 1	YP _B P _R	4:4:4 10bit
	4096 x 2160 ²	54.0	24.0 ¹	297.0	IL	6G-SDI Type 1	YP _B P _R	4:4:4 12bit
	4096 x 2160 ²	54.0	24.0 ¹	297.0	IL	6G-SDI Type 1	RGB	4:4:4 10bit
	4096 x 2160 ²	54.0	24.0 ¹	297.0	IL	6G-SDI Type 1	RGB	4:4:4 12bit
4096 x 2160/25p	4096 x 2160 ²	56.3	25.0	297.0	IL	6G-SDI Type 1	YP _B P _R	4:2:2 12bit
	4096 x 2160 ²	56.3	25.0	297.0	IL	6G-SDI Type 1	YP _B P _R	4:4:4 10bit
	4096 x 2160 ²	56.3	25.0	297.0	IL	6G-SDI Type 1	YP _B P _R	4:4:4 12bit
	4096 x 2160 ²	56.3	25.0	297.0	IL	6G-SDI Type 1	RGB	4:4:4 10bit
	4096 x 2160 ²	56.3	25.0	297.0	IL	6G-SDI Type 1	RGB	4:4:4 12bit
4096 x 2160/30p	4096 x 2160 ²	67.5	30.0 ¹	297.0	IL	6G-SDI Type 1	YP _B P _R	4:2:2 12bit
	4096 x 2160 ²	67.5	30.0 ¹	297.0	IL	6G-SDI Type 1	YP _B P _R	4:4:4 10bit
	4096 x 2160 ²	67.5	30.0 ¹	297.0	IL	6G-SDI Type 1	YP _B P _R	4:4:4 12bit
	4096 x 2160 ²	67.5	30.0 ¹	297.0	IL	6G-SDI Type 1	RGB	4:4:4 10bit
	4096 x 2160 ²	67.5	30.0 ¹	297.0	IL	6G-SDI Type 1	RGB	4:4:4 12bit
4096 x 2160/60p	4096 x 2160 ²	135.0	60.0 ¹	594.0	IL	6G-SDI Type 1	YP _B P _R	4:2:2 10bit
4096 x 2160/50p	4096 x 2160 ²	112.5	50.0	594.0	IL	6G-SDI Type 1	YP _B P _R	4:2:2 10bit

1 The signal with 1/1.001x vertical scanning frequency is also supported.

2 Only the combination of the <SDI 1 IN> terminal and the <SDI 3 IN> terminal of the optional interface Board for 12G-SDI (Model No.:ET-MDN12G10) is supported.

List of 3D compatible signals

The following table specifies the 3D compatible video signals that the projector can project.

- Abbreviations for input formats and 3D formats in the table have the following meanings.

- FP: Frame packing format
- SBS: Side by side format
- TB: Top and bottom format
- FS: Frame sequential format
- H1-2: HDMI1 & HDMI2 Simultaneous input format
- D1-2: DVI-D1 & DVI-D2 Simultaneous input format
- S1-3: SDI1 & SDI3 Simultaneous input format
- DL/HDMI/DP: DIGITAL LINK/HDMI/DisplayPort

Signal name (SIGNAL FORMAT)	Resolution (Dots)	Scanning freq.		Dot clock freq. (MHz)	DL/HDMI/DP				DVI-D		
		H (kHz)	V (Hz)		FP	SBS ¹	TB	FS	SBS ¹	TB	FS
720/60p	1280 x 720	45.0	60.0	74.3	✓	✓	✓	–	✓	✓	–
720/50p	1280 x 720	37.5	50.0	74.3	✓	✓	✓	–	✓	✓	–
1080/60i	1920 x 1080i	33.8	60.0	74.3	–	✓	–	–	✓	–	–
1080/50i	1920 x 1080i	28.1	50.0	74.3	–	✓	–	–	✓	–	–
1080/24p	1920 x 1080	27.0	24.0	74.3	✓	✓	✓	–	✓	✓	–
1080/24sF	1920 x 1080i	27.0	24.0	74.3	–	–	–	–	✓	✓	–
1080/25p	1920 x 1080	28.1	25.0	74.3	–	–	–	–	✓	✓	–
1080/30p	1920 x 1080	33.8	30.0	74.3	–	–	–	–	✓	✓	–
1080/60p	1920 x 1080	67.5	60.0	148.5	–	✓	✓	–	✓	✓	–
1080/50p	1920 x 1080	56.3	50.0	148.5	–	✓	✓	–	✓	✓	–
1200 x 900/104	1200 x 900 ²	99.6	103.9	162.5	–	–	–	✓	–	–	✓
1200 x 900/120	1200 x 900 ²	114.4	120.0	146.4	–	–	–	✓	–	–	✓
1280 x 720/120	1280 x 720	92.6	120.0	161.6	–	–	–	✓	–	–	✓
1280 x 800	1280 x 800	41.3	50.0	68.0	–	–	–	–	✓	–	–
	1280 x 800	49.7	59.8	83.5	–	–	–	–	✓	–	–
1280 x 1024	1280 x 1024	52.4	50.0	88.0	–	–	–	–	✓	–	–
	1280 x 1024	64.0	60.0	108.0	–	–	–	–	✓	–	–
1366 x 768	1366 x 768	47.7	59.8	85.5	–	–	–	–	✓	–	–
	1366 x 768	39.6	49.9	69.0	–	–	–	–	✓	–	–
1600 x 900	1600 x 900	46.4	49.9	96.5	–	–	–	–	✓	–	–
	1600 x 900	55.9	60.0	119.0	–	–	–	–	✓	–	–
1920 x 1200	1920 x 1200	61.8	49.9	158.3	–	–	–	–	✓	–	–
	1920 x 1200 ²	74.0	60.0	154.0	–	–	–	–	✓	–	–

- 1 Supports half.
- 2 VESA CVT RB (Reduced Blanking) compliant

Signal name (SIGNAL FORMAT)	Resolution (Dots)	Scanning freq.		Dot clock freq. (MHz)	SDI1/SDI2		H1-2 ¹	D1-2 ²	S1-3 ³
		H (kHz)	V (Hz)		SBS ⁴	TB			
720/60p	1280 x 720	45.0	60.0	74.3	✓	✓	✓	✓	✓
720/50p	1280 x 720	37.5	50.0	74.3	✓	✓	✓	✓	✓
1080/60i	1920 x 1080i	33.8	60.0	74.3	✓	–	–	–	–
1080/50i	1920 x 1080i	28.1	50.0	74.3	✓	–	–	–	–
1080/24p	1920 x 1080	27.0	24.0	74.3	✓	✓	✓	✓	✓
1080/24sF	1920 x 1080i	27.0	24.0	74.3	✓	✓	✓	✓	✓
1080/25p	1920 x 1080	28.1	25.0	74.3	✓	✓	✓	✓	✓
1080/30p	1920 x 1080	33.8	30.0	74.3	✓	✓	✓	✓	✓
1080/60p	1920 x 1080	67.5	60.0	148.5	✓	✓	✓	✓	✓
1080/50p	1920 x 1080	56.3	50.0	148.5	✓	✓	✓	✓	✓
1920 x 1200	1920 x 1200	61.8	49.9	158.3	–	–	✓	✓	–
	1920 x 1200 ⁵	74.0	60.0	154.0	–	–	✓	✓	–

- 1 This is supported when an optional HDMI 2 input interface board (model number: ET-MDNHM10) is installed in both slots.
- 2 This is supported when the optional Interface Board for DisplayPort 2 input (Model No.: ET-MDNDP10) is installed in both slots.
- 3 This is supported when the Interface Board for 12G-SDI (Model No.: ET-MDN12G10) is installed in both slots.
- 4 Supports half.
- 5 VESA CVT RB (Reduced Blanking) compliant