

49-inch Class Ultra Narrow Bezel LCD Display

TH-49LFV8W

Product specification (design and specification subject to change without notice)

■ DISPLAY PANEL

Screen Size (Diagonal)	49-inch (1232 mm)
Panel Type / Backlight	IPS / Direct LED
Aspect ratio	16:9
Effective Display Area (W x H)	1073.8 x 604.0 mm
Resolution (H x V)	1920 x 1080
Brightness	450 cd/m ² (Typ)
Contrast Ratio	1300:1 (typ)
Dynamic Contrast Ratio	500000:1
Viewing Angle (Horizontal / Vertical)	178° / 178° (CR ≥ 10)
Max. Display Colors	approx. 1.07 Billion
Response Time	8 ms (typ) (G to G)
Panel Life*1	approx. 50000 hours (min)
Panel Surface Treatment	Anti-glare low-reflection type (Haze 3%)

*1 When the panel lifetime is at 50% of the brightness under the condition of 25 degrees Celsius (+/- 2 degrees Celsius).

■ CONNECTION TERMINAL

HDMI IN	HDMI Type A Connector x 2	Linear PCM (Sampling frequency : 48 kHz/44.1 kHz/32 kHz) Compatible with HDCP 1.4
COMPONENT IN	BNC x 1 set	Y : BNC Contact Plug with sync 1.0 V [p-p] (75 Ω) P _B /C _B : BNC Contact Plug without sync 0.7 V [p-p] (75 Ω) P _R /C _R : BNC Contact Plug without sync 0.7 V [p-p] (75 Ω)
AUDIO IN	Pin Jack (L+R) x 1 (Shared with VIDEO IN)	0.5 Vrms
VIDEO IN	BNC x 1 set (Shared with COMPONENT IN Y)	1.0 Vp-p (75 Ω)
AUDIO IN	Pin Jack (L+R) x 1 (Shared with COMPONENT IN)	0.5 Vrms
DVI-D IN	DVI-D 24-pin x 1 (Female)	Compliance with DVI Revision 1.0 Compatible with HDCP 1.4
AUDIO IN	Stereo Mini Jack (M3) x 1 (Shared with PC IN)	0.5 Vrms
DVI-I (DVI-D / VGA) OUT	DVI-I 29-pin x 1 (Female)	Compliance with DVI Revision 1.0 Compatible with HDCP 1.4 RGB : 0.7 V [p-p] (75 Ω), H/CS/V : TTL (2.2 KΩ), SOG : 1 V [p-p] (75 Ω)
PC IN	Mini D-Sub 15-pin x 1 (Female)	Compatible with DD2CB Y/G : with sync 1.0 V [p-p] (75 Ω) : without sync 0.7 V [p-p] (75 Ω) P _B /C _B /B : without sync 0.7 V [p-p] (75 Ω) P _R /C _R /R : without sync 0.7 V [p-p] (75 Ω) HD/VD : 1.0 - 5.0 V [p-p] (high impedance)
AUDIO IN	Stereo Mini Jack (M3) x 1 (Shared with DVI-D IN)	0.5 Vrms
DisplayPort IN / OUT	DisplayPort x 1 / x 1 (DP1.2 support, HDCP1.3 Compatible)	
SERIAL IN / OUT	2.5 mm Stereo Mini Jack x 1 / x 1	
LAN	RJ45 x 1, 10BASE-T / 100BASE-TX, Compatible with PLink™	
IR IN / OUT	Stereo Mini Jack (M3) x 1 / x 1	
AUDIO OUT	Stereo Mini Jack (M3) x 1	0.5 V [rms]
USB	USB 2.0 Type A connector x 1 DC 5 V / 500 mA (USB3.0 is not supported.)	

■ AUDIO

EXT SP	8 Ω ,20 W [10 W + 10 W] (10 % THD)
--------	------------------------------------

■ ELECTRICAL

Power Requirements	220 - 240 V, 50 Hz/60 Hz
Power Consumption	220 W
On Mode Average Power Consumption*	137 W
Power Off Condition	approx. 0 W
Stand-by Condition	approx. 0.5 W
Apparent power	230 VA

*Based on IEC 62087 Ed.2 measurement method

■ MECHANICAL

Dimension (W x H x D)	1077.7 x 607.9 x 103.9 mm
Weight	approx. 22.0 kg
Carton Dimensions (W x H x D)	1374 x 901 x 373 mm
Gross Weight	approx. 35 kg
Cabinet Material / Color	Metal / Black
Bezel Width	L/T : approx. 2.25 mm, R/B : approx. 1.25 mm
Pitch for Wall-Hanging	VESA Compliant 400 x 400 mm

■ INSTALLATION

Orientation	Landscape / Portrait*
Tilting Angle	Vertical only

* Please contact your sales representative with regard to the tilt angle before installation.

* When installing it vertically, please install it in the clockwise direction.

MAIN FEATURE

Daisy Chain*1	DisplayPort*2, DVI-D*3, VGA – DVI-I*3, Serial, IR
Multi Screen	○ (NxM, up to 10 x 10)
Multimedia files playback function	○
Multi display settings	○
Power on screen delay	○
Auto setting	○
Screensaver	○
PC/DVI-D power management	○
Power save	○
Button lock	○
Controller user level	○
Input search	○
Dynamic contrast	○
Colour enhancement	○
Set up timer	○
PJLink	○
Early Warning Software compatible	○
Multi Monitoring & Control Software compatible	○
Operating Time*4	24h / 7d
Pre Calibration	Done
4K daisy chain via MST (Multi Stream Transport)	○
4K daisy chain via SST(Single Stream Transport)	○

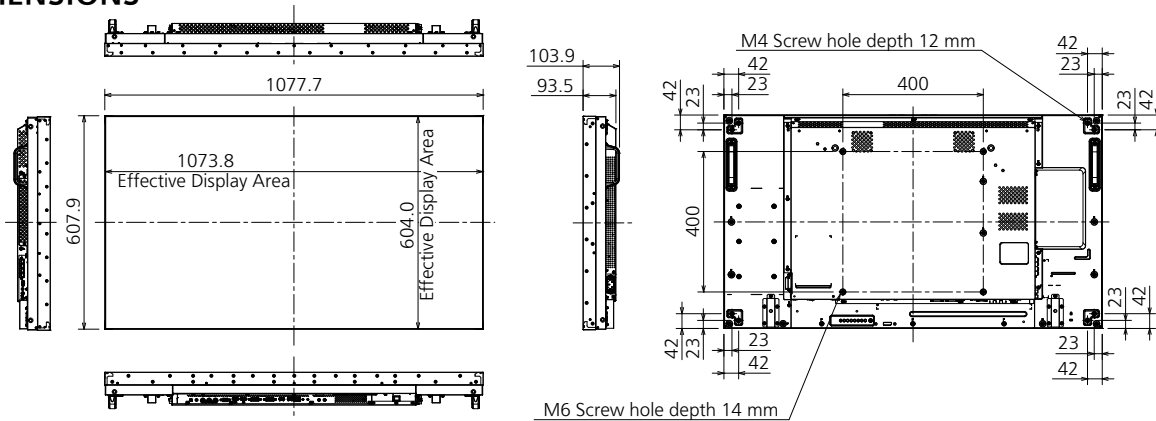
- *1 Please refer to the operating instruction for connection.
- *2 8 sets with HDCP, 25 sets without HDCP
- *3 8 sets with HDCP, 10 sets without HDCP
- *4 In case of running for a long time, the moving image is recommended to be displayed. If you display a still picture for an extended period, the image retention might remain on the screen. However, image retention can gradually disappear by displaying a moving images.

ENVIRONMENTAL

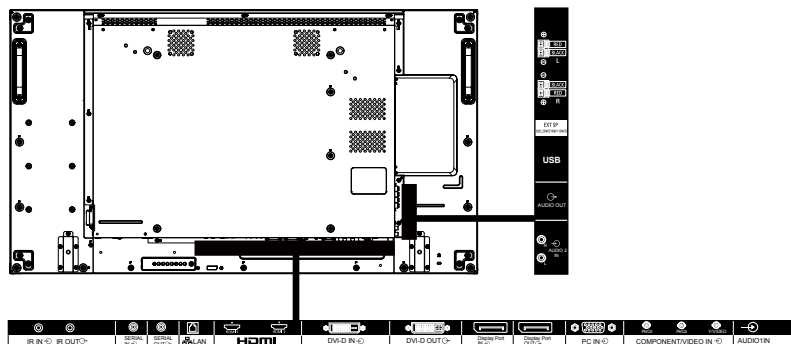
Operating Environment	Temperature : 0°C to 40°C *1 0°C to 35°C *2
	Humidity : 20% to 80% (No condensation)
	Altitude : 0 to 2800 m
Storage Environment	Temperature : -20°C to 60°C
	Humidity : 5% to 95% (No condensation)
	Altitude : 0 to 9000 m

- *1 : for up to 1400 m altitude
- *2 : for between 1400 m and 2800 m altitude Depending on the temperature or humidity conditions, uneven brightness may be observed. This is not a malfunction.
- This unevenness will disappear while applying current continuously. If not, consult the distributor.

DIMENSIONS



CONNECTION TERMINAL



STANDARD (CERTIFICATIONS)

SAFETY REGULATIONS	IEC 60950-1:2005 (Second Edition) + Am 1:2009 + Am 2:2013 EN 60950-1:2006 + A11:2009 + A1:2010 + A12:2011 + A2:2013 AS/NZS 60950.1:2011 Inc A1
RADIATION REGULATIONS	EN55032:2012 + AC:2013 Class A EN55022:2010 EN55013:2013 EN55024:2010 EN61000-3-2:2014 EN61000-3-3:2013 AZ/NRZ CISPR32

INCLUDED ACCESSORIES

- Power supply cord (2.0 m)
- Remote Control Transmitter
- Batteries (AAA/R03/UM4 type) x 2
- Clamper x 3
- Operating instructions
- IR receiver cable
- IR Daisy Chain Cable
- RS232C Convert Cable
- RS-232C Daisy Chain Cable
- DisplayPort cable

REMOTE CONTROL TRANSMITTER

Power Requirements	DC 3 V (2 x AAA/R03/UM4 type batteries)
Operating distance	approx. 7 m*
Weight	approx. 105 g including batteries
Dimensions (W x H x D)	50 x 200 x 22.9 mm

* When operated directly in front of receptor.

OPTIONAL ACCESSORIES

Installation Mount	TY-VK49LV2
Auto Display Adjustment Upgrade Kit	TY-VUK10
Early Warning Software	ET-SWA100 series* (Some limitations exist.)

* Suffix of the part number may differ depending on the license type.

* Specifications and appearance are subject to change without notice.

INPUT MODE

VGA Resolution:

Standard Resolution	Active Resolution		Refresh Rate	Pixel Rate	Aspect Ratio	Stand for Mode
	H Pixels	V Lines				
VGA	640	480	60 Hz	25.175 MHz	4:3	Video Graphic Array
			72 Hz	31.5 MHz		
			75 Hz	31.5 MHz		
WVGA	720	400	70 Hz	33.75 MHz	16:9	Wide Video Graphic Array
SVGA	800	600	60 Hz	40 MHz	4:3	Super VGA
			75 Hz	49.5 MHz		
XGA	1024	768	60 Hz	65 MHz	4:3	Extended Graphic Array
			75 Hz	78.75 MHz		
WXGA	1280	768	60 Hz	79.5 MHz	5:3	Wide XGA
WXGA	1280	800	60 Hz	79.5 MHz	16:10	Wide XGA
SXGA	1280	1024	60 Hz	108 MHz	5:4	Super XGA
WXGA	1360	768	60 Hz	85.5 MHz	16:9	Wide XGA
WXGA	1366	768	60 Hz	85.5 MHz	16:9	Wide XGA
UXGA	1600	1200	60 Hz	162 MHz	4:3	Ultra XGA
HD1080	1920	1080	60 Hz	148.5 MHz	16:9	HD1080

SDTV Resolution:

Standard Resolution	Active Resolution		Refresh Rate	Pixel Rate	Aspect Ratio	Stand for Mode
	H Pixels	V Lines				
480i	720	480	29.97 Hz	13.5 MHz	4:3	Modified NTSC Standard
480p			59.94 Hz	27 MHz		
576i	720	480	25 Hz	13.5 MHz	4:3	Modified PAL Standard
576p			50 Hz	27 MHz		

HDTV Resolution:

Standard Resolution	Active Resolution		Refresh Rate	Pixel Rate	Aspect Ratio	Stand for Mode
	H Pixels	V Lines				
720P	1280	720	50 Hz	74.25 MHz	16:9	Normally DVB Mode
			60 Hz			
1080i	1920	1080	25 Hz	74.25 MHz	16:9	Normally ATSC Mode
			30 Hz			
1080p	1920	1080	50 Hz	148.5 MHz	16:9	Normally ATSC Mode
			60 Hz			

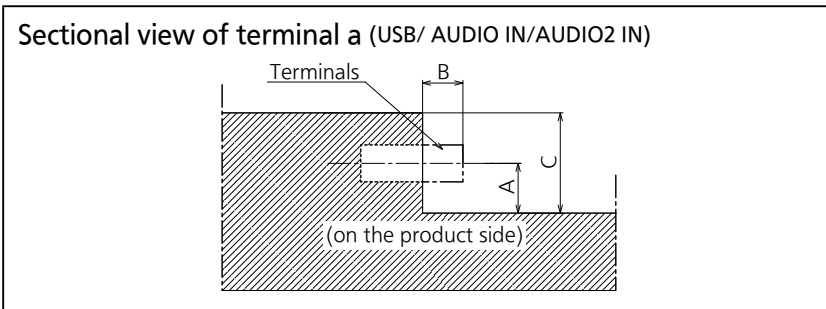
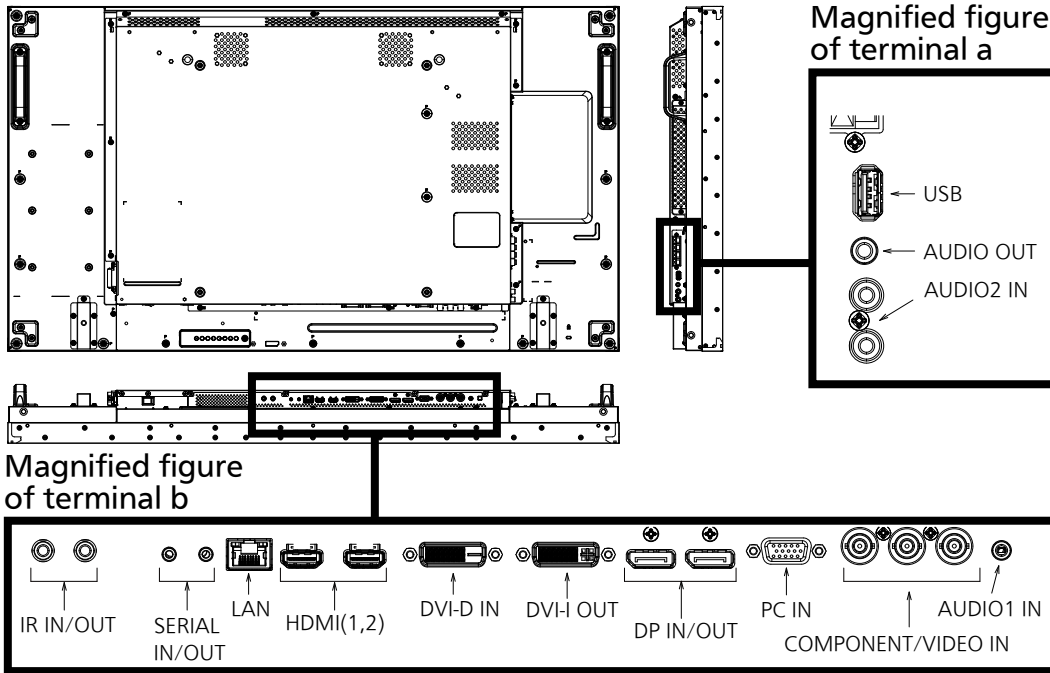
4K Resolution:

Standard Resolution	Active Resolution		Refresh Rate	Pixel Rate	Aspect Ratio	Stand for Mode
	H Pixels	V Lines				
QFHD	3840	2160	30 Hz	297 Hz	16:9	-

- The optimum PC text quality is provided by HD 1080 mode (1920 x 1080, 60 Hz).
- Your PC Display screen might appear different depending on the manufacturer (and your particular version of Windows).
- Check your PC instruction book for information about connecting your PC to a Display.
- If your PC offers vertical and horizontal frequency selection, choose 60 Hz (vertical) and 31.5 kHz (horizontal). In some cases, abnormal signals (such as stripes) might appear on the screen when the PC power is turned off, or disconnected. If so, press the [INPUT] button to enter the video mode. Also, make sure that the PC is connected.
- If the horizontal synchronous signals seem irregular in the RGB mode, check the PC power saving mode or cable connections.
- The Display settings table complies with the IBM / VESA standards, and is based on analogue input.
- The DVI support mode is the same as the PC support mode.
- The best vertical frequency timing for both modes is 60 Hz.

Drawing of terminals

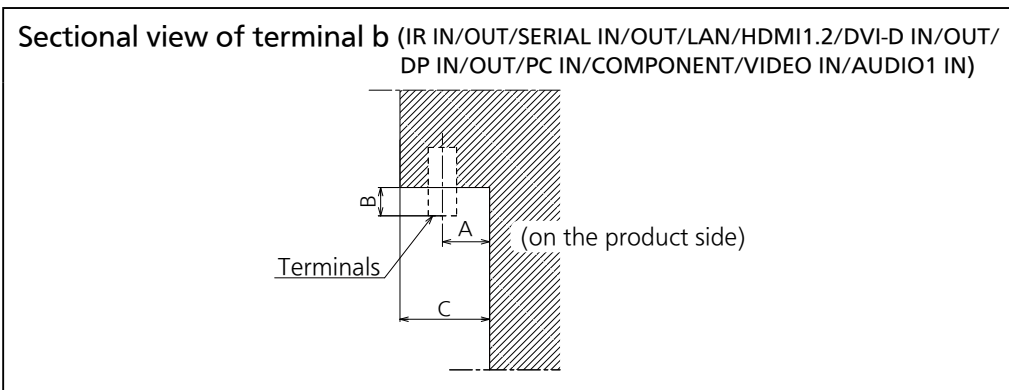
View from back



Terminal a
49LFV8W Terminal (Side)

Units : mm

	USB	AUDIO OUT	AUDIO2 IN
A	13.2	14.2	13.6
B		2.7	8.7
C		28.7	



Terminal b
49LFV8W Terminal (Bottom)

Units : mm

	IR IN/OUT	SERIAL IN/OUT	LAN	HDMI 1.2	DVI-D/DVI-I	DP IN/OUT	PC IN	COMPONENT/VIDEO IN	AUDIO1 IN
A	16.2	16.8	16.1	15.1	16.7	15.2	18	20	18.3
B	2.2	1.2			5.8		5.3	11.8	2.7
C						31.8			

*Due to the construction of terminal, some types of connecting cable or USB memory device cannot be used. Be sure to use connecting cable or USB memory device after confirmation in this drawing.