

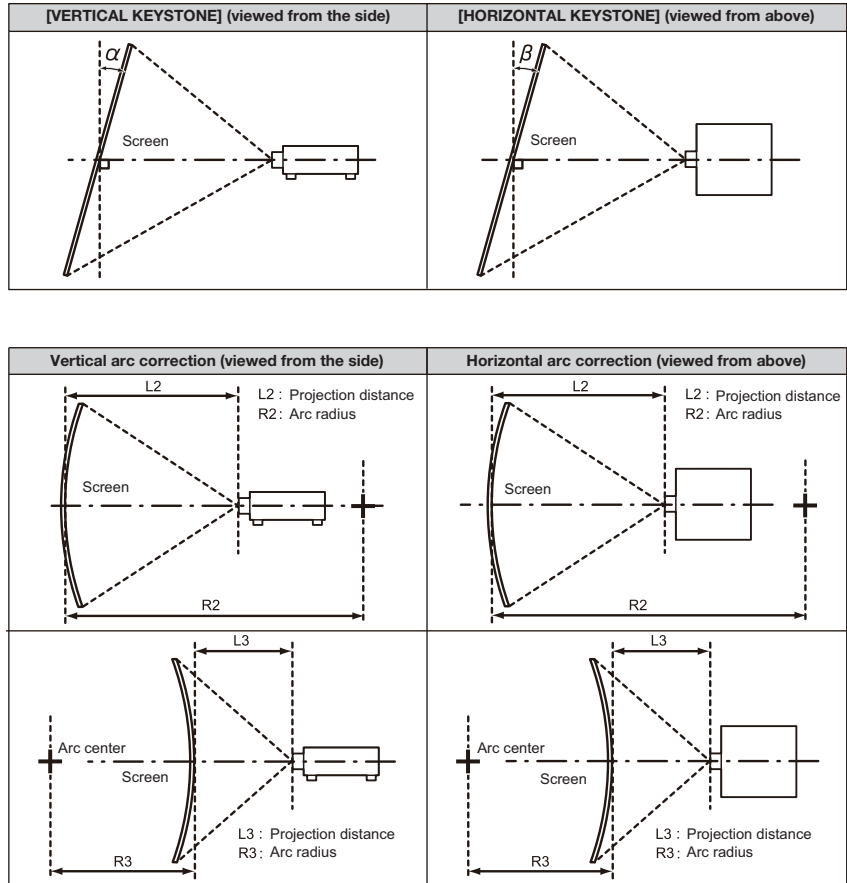
Specifications

Main unit

| | | |
|-------------------------------|---|--|
| Power supply | | For Global : AC100~240 V 9.9~4.5A 50 Hz/60 Hz For Taiwan : AC110 V-240V 9.0A~4.5A 60 Hz |
| Power consumption | | 950W NORMAL: 689W ECO: 583W LONG LIFE1: 393-548W LONG LIFE 2: 363-548W LONG LIFE 3: 334-548W SHUTTER: 82W STANDBY MODE [ECO]: 0.3W STANDBY MODE [NORMAL]: 3W STANDBY MODE (When the [QUICK STARTUP] function is enabled): Approx. 85 W *Operating Temperature: 25 °C (77 °F), Altitude: 700m (2,297 ft), IEC62087: 2008 Broadcast contents, Picture mode: Standard, Dynamic Contrast2 |
| BTU value | | Max 3,242 BTU(Without light 3,126 BTU) |
| DLP™ chip | Panel size Display method Pixels | 17.0 mm (0.67 in) diagonal (16:10 aspect ratio) DLP™ chip × 1, DLP™ system 2,304,000 (1920 × 1200) |
| Lens | PT-RZ870B/W PT-RZ870LB/LW | Powered zoom/focus lenses (1.7–2.4:1), F 1.7–1.9, f 25.6–35.7 mm Optional powered zoom/focus lenses and fixed-focus lens |
| Light source | | Laser Diode |
| Illumination life of set | | Varies depending on operation mode setting. Half brightness at 20,000 hours (NORMAL/QUIET1/QUIET2)/ Half brightness at 24,000 hours (ECO) * Temperature: 30°C (86°F), Altitude 700m (2,297 ft),Dynamic Contrast3 Under conditions of 0.15 mg/m3 of particulate matter 43,800 hours at constant luminance (LONG LIFE1) 61,320 hours at constant luminance (LONG LIFE2) 87,600 hours at constant luminance (LONG LIFE3) * Temperature: 35°C (95°F), Altitude 700m (2,297 ft),Dynamic Contrast3 Under conditions of 0.15 mg/m3 of particulate matter |
| Screen size | | 1.27 – 15.24 m (50 – 600 inches) (16:10 aspect ratio) *1.27 – 5.08 m (50 – 200 inches) with the ET-DLE055 (16:10 aspect ratio) *2.54 – 8.89 m (100 – 350 inches) with the ET-DLE030 (16:10 aspect ratio) |
| Brightness*1 | | Varies depending on operation mode setting. 8,500 lumens*2/8,800 lumens (Center)*3 8,500 lumens (Half luminance) (NORMAL) 6,800 lumens (Half luminance) (ECO) 7,200 lumens (Half luminance) (QUIET1) 5,400 lumens (Half luminance) (QUIET2) 3,400 lumens (Constant luminance) (LONG LIFE1) 2,800 lumens (Constant luminance) (LONG LIFE2) 2,300 lumens (Constant luminance) (LONG LIFE3) |
| Center-to-corner uniformity*3 | | 90% |
| Contrast*3 | | 10,000:1 (All White/All Black) (Dynamic Contrast3) |
| Resolution | | 1920 × 1200 pixels |
| Scanning frequency | SDI HDMI/DVI-D | 3G-SDI signal (RGB 4:4:4 12-bit/10-bit): SMPTE ST 424 compliant: 1125(1080)/60i, 1125(1080)/50i, 1125(1080)/25p, 1125(1080)/24p, 1125(1080)/24sF, 1125(1080)/30p, [2K/24p], [2K/25p], [2K/30p] 3G-SDI signal (YPbPr4:2:2 10-bit): SMPTE ST 424 compliant: 1125(1080)/60p, 1125(1080)/50p, [2K/48p], [2K/50p], [2K/60p] HD-SDI signal (YPbPr4:2:2 10-bit): SMPTE ST 292 compliant: 750(720)/60p, 750(720)/50p, 1125(1080)/60i, 1125(1080)/50i, 1125(1080)/25p, 1125(1080)/24p, 1125(1080)/24sF, 1125(1080)/30p SD-SDI signal (YCbCr4:2:2 10-bit): SMPTE ST 259 compliant: 525i(480i), 625i(576i) Moving image signal resolution: 480i*4/576i*4 to 1920 × 1080 Still image signal resolution: 640 × 400 to 1920 × 1200 (non-interlace) Dot clock frequency: 25 MHz to 162 MHz |

| | | |
|--------------------|---------------|---|
| Scanning frequency | RGB | Resolution: 640 × 400 to 1920 × 1200 Dot clock frequency: 162 MHz or less PIAS (Panasonic Intelligent Auto Scanning) system |
| | YPbPr (YCbCr) | Resolution: 480i/576i to 1920 × 1080 Dot clock frequency: 148.5 MHz or less The HD/SYNC and VD terminals do not support 3 value SYNC. |
| | Video/S-Video | fh: 15.73 kHz, fv: 59.94 Hz [NTSC/NTSC4.43/PAL-M/PAL60] fh: 15.63 kHz, fv: 50 Hz [PAL/PAL-N/SECAM] |

Geometry correction range



| Projection lens Model No. | Only [KEYSTONE] used | | [KEYSTONE] and [CURVED] used together | | | | Only [CURVED] used | |
|---------------------------|---|--|---|--|---------------------|---------------------|---------------------|---------------------|
| | Vertical keystone correction angle α (°) | Horizontal keystone correction angle β (°) | Vertical keystone correction angle α (°) | Horizontal keystone correction angle β (°) | Min. value of R2/L2 | Min. value of R3/L3 | Min. value of R2/L2 | Min. value of R3/L3 |
| Supplied lens/ET-DLE170 | ±40 | ±15 | ±20 | ±15 | 0.9 | 1.7 | 0.5 | 1 |
| ET-DLE030*1 | +5/-0 | 0 | — | — | — | — | — | — |
| ET-DLE055 | ±22 | ±15 | ±8 | ±8 | 1.7 | 4.3 | 1 | 2.6 |
| ET-DLE060 | ±16 | ±10 | — | — | — | — | — | — |
| ET-DLE085 | ±22 | ±15 | ±8 | ±8 | 1.7 | 4.3 | 1 | 2.6 |
| ET-DLE105 | ±22 | ±15 | ±8 | ±8 | 1.7 | 4.3 | 1 | 2.6 |
| ET-DLE150 | ±40 | ±15 | ±20 | ±15 | 1.1 | 2.6 | 0.6 | 1.5 |
| ET-DLE250 | ±40 | ±15 | ±20 | ±15 | 0.7 | 1.3 | 0.4 | 0.7 |
| ET-DLE350 | ±40 | ±15 | ±20 | ±15 | 0.4 | 0.8 | 0.3 | 0.5 |
| ET-DLE450 | ±40 | ±15 | ±20 | ±15 | 0.3 | 0.6 | 0.2 | 0.3 |

Geometry correction range

When using the optional Upgrade Kit (Model No.: ET-UK20)

| Projection lens Model No. | Only [KEYSTONE] used*2 | | [KEYSTONE] and [CURVED] used together | | | | Only [CURVED] used | |
|---------------------------|---|--|---|--|---------------------|---------------------|---------------------|---------------------|
| | Vertical keystone correction angle α (°) | Horizontal keystone correction angle β (°) | Vertical keystone correction angle α (°) | Horizontal keystone correction angle β (°) | Min. value of R2/L2 | Min. value of R3/L3 | Min. value of R2/L2 | Min. value of R3/L3 |
| Supplied lens/ET-DLE170 | ±40 | ±40 | ±20 | ±15 | 0.7 | 1.3 | 0.4 | 0.7 |
| ET-DLE030*1 | +5/-0 | 0 | — | — | — | — | — | — |
| ET-DLE055 | ±22 | ±15 | ±8 | ±8 | 1.3 | 3.3 | 0.8 | 1.9 |
| ET-DLE060 | ±16 | ±10 | — | — | — | — | — | — |
| ET-DLE085 | ±22 | ±15 | ±8 | ±8 | 1.3 | 3.3 | 0.8 | 1.9 |
| ET-DLE105 | ±22 | ±15 | ±8 | ±8 | 1.3 | 3.3 | 0.8 | 1.9 |
| ET-DLE150 | ±40 | ±40 | ±20 | ±15 | 0.9 | 2 | 0.5 | 1.1 |
| ET-DLE250 | ±40 | ±40 | ±20 | ±15 | 0.5 | 1 | 0.3 | 0.6 |
| ET-DLE350 | ±45 | ±40 | ±20 | ±15 | 0.3 | 0.6 | 0.2 | 0.4 |
| ET-DLE450 | ±45 | ±40 | ±20 | ±15 | 0.2 | 0.4 | 0.2 | 0.3 |

*1 Only the vertical keystone correction angle can be corrected in the direction in which the projector body moves away from the screen.

*2 When [VERTICAL KEYSTONE] and [HORIZONTAL KEYSTONE] are used simultaneously, correction cannot be made exceeding total of 55°.

- When [GEOMETRY] is used, the focus of the entire screen may be lost as correction increases.
- Make the curved screen a circular arc shape with one part of a perfect circle removed.
- Adjustment range of the [GEOMETRY] items may not match the listed projection range depending on the projection lens. Use this projector within the projection range, otherwise the correction may not work.

Optical axis shift

Vertical: +50%, -16%(powered)
 (When using the ET-DLE060, +40%, -16%)
 Horizontal: +30%, -10%(powered)
 (When using the ET-DLE060, +19%, -10%)
 (When using the ET-DLE085/ET-DLE105, +28%, -10%)
NOTE: Optical axis shift function cannot be operated when used with the ET-DLE055.
 If using the ET-DLE030, the optical axis is fixed.

Installation

Ceiling/floor, front/rear

Terminals

| | |
|---------------------------------------|---|
| SDI IN | BNC × 1, 3G-SDI signal: SMPTE ST 424 compliant HD-SDI signal: SMPTE ST 292 compliant SD-SDI signal: SMPTE ST 259 compliant |
| HDMI IN | HDMI 19-pin × 1, Deep Color, compatible with HDCP, |
| DVI-D IN | DVI-D 24-pin × 1, DVI 1.0 compliant, compatible with HDCP, for single link only |
| RGB 1 IN R, G, B | BNC × 5 R: 0.7 Vp-p, 75 ohms, G: 0.7 Vp-p (G: 1.0 Vp-p for sync on G), 75 ohms, B: 0.7 Vp-p, 75 ohms HD, VD/SYNC: TTL, high impedance, positive/negative automatic |
| Y, PB, PR (Y, CB, CR) Y,C Video | Y: 1.0 Vp-p (including sync signal), PB/PR (Cb/CR): 0.7 Vp-p, 75 ohms Y: 1.0 Vp-p, C: 0.286 Vp-p, 75 ohms 1.0Vp-p, 75 ohms |
| RGB 2 IN R, G, B | D-sub HD 15-pin (female) × 1 R: 0.7 Vp-p, 75 ohms, G: 0.7 Vp-p (G: 1.0 Vp-p for sync on G), 75 ohms, B: 0.7 Vp-p, 75 ohms HD, VD/SYNC: TTL, high impedance, positive/negative automatic |
| Y, PB, PR(Y, CB, CR) | Y: 1.0 Vp-p (including sync signal), PB/PR(Cb/CR): 0.7 Vp-p, 75 ohms |
| SERIAL/MULTI PROJECTOR SYNC IN | D-sub 9-pin (female) × 1 for external control (RS-232C compliant) |
| SERIAL/MULTI PROJECTOR SYNC OUT | D-sub 9-pin (male) × 1 for link control |
| REMOTE 1 IN | M3 jack × 1 for wired remote control |
| REMOTE 1 OUT | M3 jack × 1 for link control (for wired remote control) |
| REMOTE 2 IN | D-sub 9-pin (female) ×1 for external control (parallel) |
| DIGITAL LINK/LAN | RJ-45 × 1 for network and DIGITAL LINK (video/network/serial control) connection, 100Base-TX, compliant with PLink™(Class 1) Deep Color, HDCP |

| | | |
|------------------------|--------------------|---|
| Power cord length | | 3.0 m (9 ft 10 in) |
| Cabinet materials | | Molded plastic |
| Dimensions (W x H x D) | PT-RZ870B/RZ870W | 498 x 200*5 x 581mm (19-19/32 x 7-7/8*5 x 22-7/8in) with supplied lens |
| | PT-RZ870LB/RZ870LW | 498 x 200*5 x 538 mm (19-19/32 x 7-7/8*5 x 21-3/16in) without lens |
| Weight | PT-RZ870B/RZ870W | Approx. 23.2kg (51.1lbs) with supplied lens |
| | PT-RZ870LB/RZ870LW | Approx. 22.4kg (49.4lbs) without lens |
| Operation noise | | 41dB (37dB[QUIET1] / 35dB[QUIET2]) |
| Laser Classification | Laser Class | USA and Canada: Class 3R (IEC 60825-1:2007) Other countries or regions: Class 1 (IEC/EN 60825-1:2014) |
| | Risk Group | Risk Group 2 (IEC 62471-5:2015) ET-DLE020, ET-DLE035, ET-DLE055, ET-DLE060, ET-DLE085, ET-DLE105, ET-DLE150, Standard zoom lens ET-DLE170 Risk Group 3 (IEC 62471-5:2015) ET-DLE250, ET-DLE350, ET-DLE450 |
| Operating temperature | | 0–45 °C (32–113 °F)*6 |
| Operating humidity | | 10%–80% (no condensation) |

Remote control unit

| | |
|------------------------|---|
| Power supply | 3 V DC (AAA/R03/LR03 battery x 2) |
| Operation range | Approx. 30 m (98 ft 5 in) when operated from directly in front of the signal receptor |
| Dimensions (W x H x D) | 48 x 145 x 27 mm (1-7/8 x 5-23/32 x 1-1/16 in) |
| Weight*7 | Approx. 102 g (3.6 ozs.) including batteries |

Other Applications

Multi Monitoring and Control Software (for Windows)
Logo Transfer Software (for Windows)
Geometry Manager Pro (for Windows)

Supplied accessories

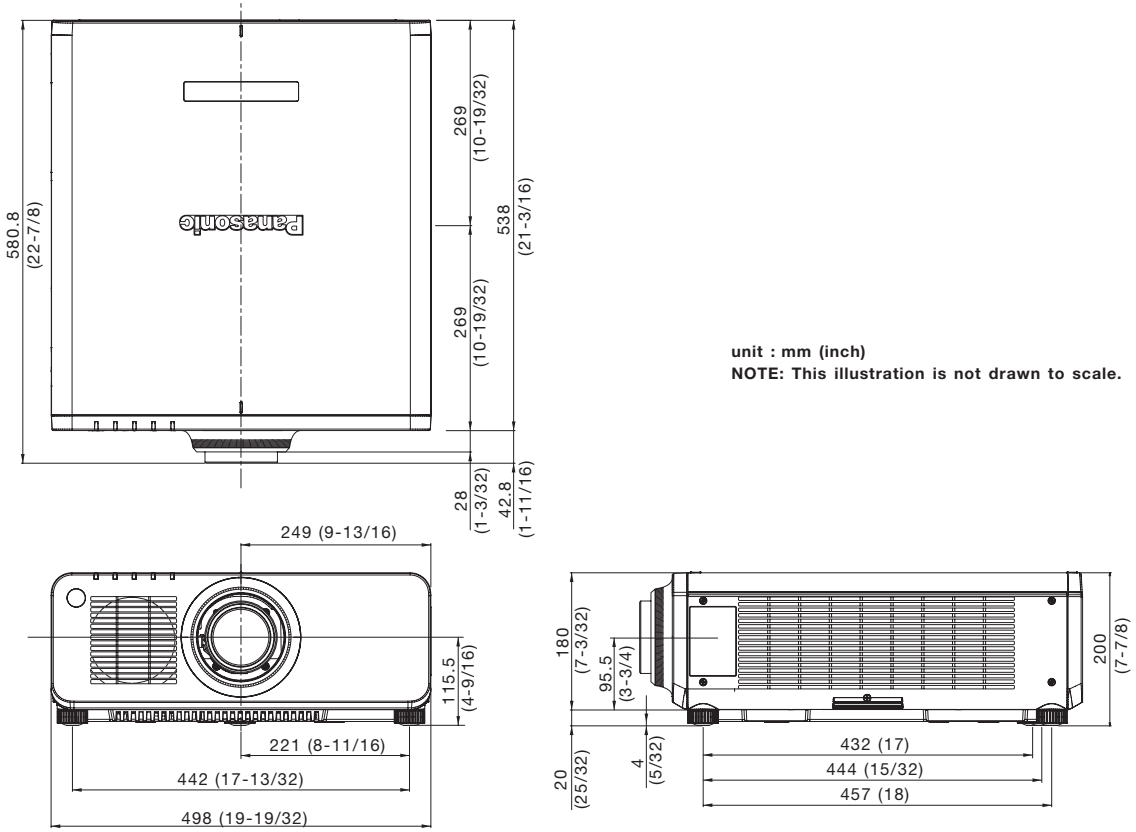
Power cord with secure lock (x 1) (x 2 for Europe / ASIA models)
Wireless/wired remote control unit (x 1)
Batteries for remote control (R03/AAA type x 2)
CD-ROM (Operating Instructions) (x 1)
Lens Mount Cover (x 1)
Lens cover (x 1) (Only models with lens)

Optional accessories

| | |
|--|--|
| Digital interface box | ET-YFB100G |
| Digital LINK Switcher | ET-YFB200G |
| Zoom lens | ET-DLE020*8 |
| Zoom lens | ET-DLE060 |
| Zoom lens | ET-DLE085 |
| Zoom lens | ET-DLE105 |
| Zoom lens | ET-DLE150 |
| Zoom lens | ET-DLE170 (same as supplied lens) |
| Zoom lens | ET-DLE250 |
| Zoom lens | ET-DLE350 |
| Zoom lens | ET-DLE450 |
| Fixed-focus lens | ET-DLE030/ET-DLE035*9 |
| Fixed-focus lens | ET-DLE055 |
| Ceiling mount bracket | ET-PKD120H (for high ceilings)/ET-PKD120S (for low ceilings) |
| High-ceiling mount bracket (6-axis adjustment mechanism) | ET-PKD130H |
| Attachment for ceiling mount bracket | ET-PKD130B |
| Geometry Manager Pro Upgrade kit | ET-UK20 |
| Auto Screen Adjustment Upgrade kit | ET-CUK10/CUK10P |
| Early Warning Software | ET-SWA100*10 |

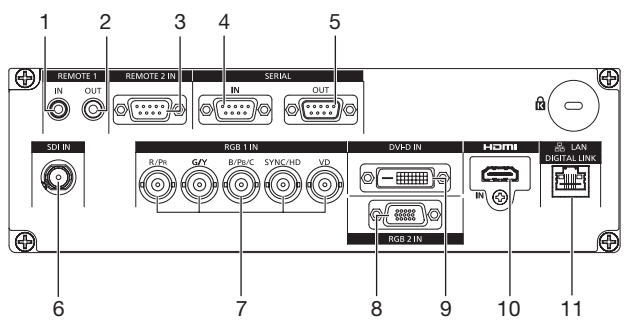
*1 Value is for the supplied standard zoom lens. The value varies depending on the lens.
*2 Measurement, measuring conditions, and method of notation all comply with ISO/IEC 21118:2012 international standards.
*3 The value of the light output at the center region of the projected image is extracted based on the light output measurement method defined by the ISO/IEC 21118:2012 international standards.
*4 Only compatible with dot clock frequency of 27 MHz (pixel repetition signal).
*5 with legs at shortest position.
*6 Limits the luminance when used in locations from 0m to 2,700m (0ft to 8,858ft) above sea level at ambient temperatures of 30°C (86°F) or higher, or from 2,700m to 4,200m (8,858ft to 13,780ft) above sea level at ambient temperatures of 25°C (77°F) or higher.
*7 Average value. Weight varies for each product.
*8 For details, see the Spec File of each individual lens.
*9 For more information, please see the specification sheet of lens.
*10 The symbol at the end of the part number will vary depending on the type of license.

Dimensions



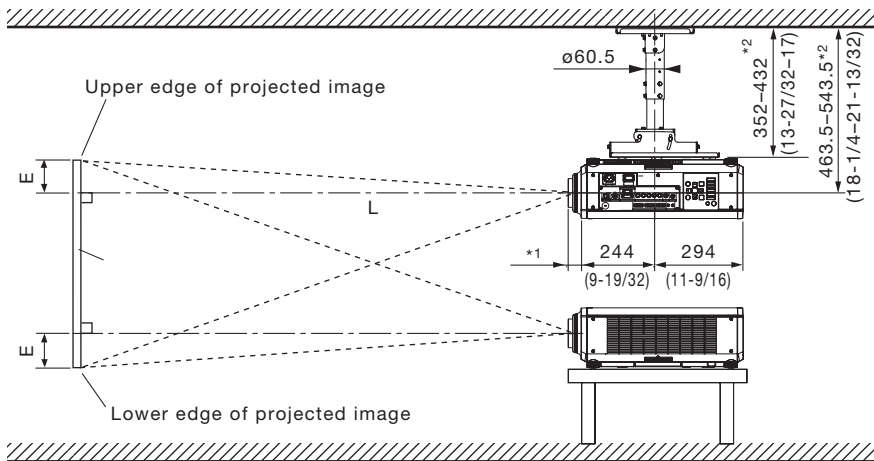
unit : mm (inch)
NOTE: This illustration is not drawn to scale.

Terminals



- 1 REMOTE 1 INPUT
- 2 REMOTE 1 OUTPUT
- 3 REMOTE 2 INPUT
- 4 SERIAL/MULTI PROJECTOR SYNC INPUT
- 5 SERIAL/MULTI PROJECTOR SYNC OUTPUT
- 6 SDI INPUT
- 7 RGB 1 INPUT
- 8 RGB 2 INPUT
- 9 DVI-D INPUT
- 10 HDMI INPUT
- 11 DIGITAL LINK/LAN TERMINAL

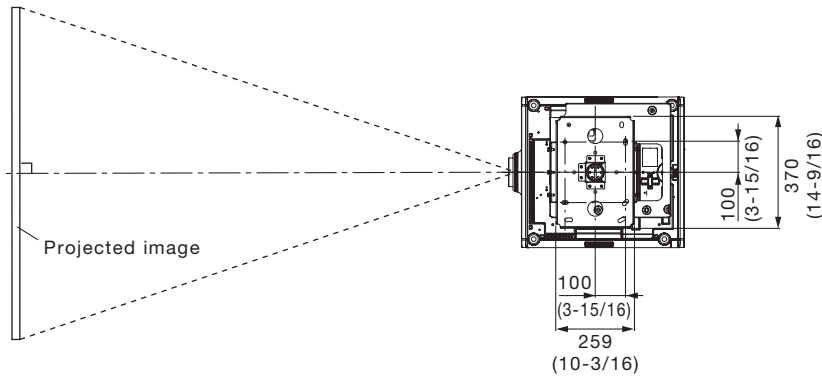
Standard setting-up position (If using other than the ET-DLE030)



*1 When the lens protrudes to the maximum.
 104 mm (4-3/32 in) with the ET-DLE060
 84 mm (3-5/16 in) with the ET-DLE085
 88 mm (3-15/32 in) with the ET-DLE105
 44 mm (1-23/32 in) with the ET-DLE150
 43 mm (1-11/16 in)
 with the supplied lens/ET-DLE170
 45 mm (1-25/32 in) with the ET-DLE250
 51 mm (2 in) with the ET-DLE350
 95 mm (3-3/4 in) with the ET-DLE450
 27 mm (1-1/16 in) with the ET-DLE055

*2 Adjustable in 40 mm (1-9/16 in) steps.

unit : mm (inch)



NOTE:

Illustrations show the projector installed using optional ceiling mount bracket ET-PKD120H, optional bracket assembly ET-PKD130B and an optional lens.

This illustration is not drawn to scale.

Caution:

- All construction work should be done by a qualified technician.
- When mounting to the ceiling, use the special mounting bracket. Furthermore, in order to prevent it from falling down from the ceiling, use the supplied wire on the mounting bracket.

Projection distance for 16:10 aspect ratio screen (If using other than the ET-DLE030)

Unit: meters

| Screen size (diagonal) | Distance to screen (L) | | | | | | | | | | | | | | | | | Height from the edge of screen to center of lens (H) | | |
|------------------------|------------------------|---------------------|---------------|---------------------|--------------|---------------------|--------------|-----------------------------------|--------------|---------------------|-------------|---------------------|-------------|---------------------|-------------|----------------------------|---------|--|-----------|-----------|
| | Zoom | | | | | | | | | | Fixed-focus | | | | | | | Supplied lens ET-DLE085 105/150/250 350/450 | ET-DLE060 | ET-DLE055 |
| | ET-DLE060 Zoom lens | ET-DLE085 Zoom lens | | ET-DLE105 Zoom lens | | ET-DLE150 Zoom lens | | Supplied lens ET-DLE170 Zoom lens | | ET-DLE250 Zoom lens | | ET-DLE350 Zoom lens | | ET-DLE450 Zoom lens | | ET-DLE055 Fixed-focus lens | | | | |
| | 0.600-0.801:1 | | 0.782-0.977:1 | | 0.978-1.32:1 | | 01.30-1.89:1 | | 1.71-2.41:1 | | 2.27-3.62:1 | | 3.58-5.45:1 | | 5.36-8.58:1 | | 0.786:1 | | | |
| [m] | [in] | min. | max. | min. | max. | min. | max. | min. | max. | min. | max. | min. | max. | min. | max. | | | | | |
| 1.27/ 50 | 0.63 | 0.84 | 0.82 | 1.04 | 1.03 | 1.41 | 1.38 | 2.01 | 1.82 | 2.57 | 2.42 | 3.87 | 3.80 | 5.81 | 5.66 | 9.12 | 0.83 | 0-0.44 | 0.07-0.44 | 0.34 |
| 1.52/ 60 | 0.76 | 1.02 | 1.00 | 1.25 | 1.25 | 1.70 | 1.66 | 2.43 | 2.20 | 3.10 | 2.92 | 4.65 | 4.59 | 7.00 | 6.85 | 11.01 | 1.00 | 0-0.53 | 0.08-0.53 | 0.40 |
| 1.78/ 70 | 0.90 | 1.20 | 1.17 | 1.47 | 1.47 | 1.99 | 1.95 | 2.84 | 2.58 | 3.63 | 3.42 | 5.44 | 5.38 | 8.19 | 8.04 | 12.89 | 1.18 | 0-0.62 | 0.09-0.62 | 0.47 |
| 2.03/ 80 | 1.03 | 1.38 | 1.35 | 1.68 | 1.68 | 2.28 | 2.23 | 3.25 | 2.95 | 4.16 | 3.92 | 6.23 | 6.16 | 9.38 | 9.23 | 14.78 | 1.35 | 0-0.71 | 0.11-0.71 | 0.54 |
| 2.29/ 90 | 1.17 | 1.56 | 1.52 | 1.90 | 1.90 | 2.57 | 2.52 | 3.66 | 3.33 | 4.69 | 4.42 | 7.02 | 6.95 | 10.57 | 10.43 | 16.66 | 1.53 | 0-0.80 | 0.12-0.80 | 0.61 |
| 2.54/100 | 1.31 | 1.74 | 1.70 | 2.11 | 2.12 | 2.86 | 2.81 | 4.08 | 3.71 | 5.21 | 4.92 | 7.81 | 7.74 | 11.76 | 11.62 | 18.55 | 1.70 | 0-0.89 | 0.13-0.89 | 0.67 |
| 3.05/120 | 1.58 | 2.10 | 2.05 | 2.55 | 2.55 | 3.44 | 3.38 | 4.90 | 4.47 | 6.27 | 5.91 | 9.39 | 9.31 | 14.14 | 14.00 | 22.31 | 2.05 | 0-1.07 | 0.16-1.07 | 0.81 |
| 3.81/150 | 1.99 | 2.63 | 2.57 | 3.19 | 3.20 | 4.32 | 4.24 | 6.14 | 5.60 | 7.86 | 7.41 | 11.75 | 11.68 | 17.71 | 17.58 | 27.97 | 2.58 | 0-1.33 | 0.20-1.33 | 1.01 |
| 5.08/200 | 2.67 | 3.53 | 3.44 | 4.27 | 4.29 | 5.77 | 5.67 | 8.20 | 7.50 | 10.50 | 9.91 | 15.70 | 15.61 | 23.66 | 23.54 | 37.39 | 3.45 | 0-1.78 | 0.27-1.78 | 1.35 |
| 6.35/250 | 3.35 | 4.42 | 4.31 | 5.35 | 5.37 | 7.23 | 7.10 | 10.26 | 9.39 | 13.14 | 12.41 | 19.64 | 19.55 | 29.61 | 29.50 | 46.81 | — | 0-2.22 | 0.34-2.22 | — |
| 7.62/300 | 4.03 | 5.32 | 5.18 | 6.43 | 6.46 | 8.68 | 8.53 | 12.33 | 11.28 | 15.79 | 14.91 | 23.59 | 23.49 | 35.56 | 35.46 | 56.24 | — | 0-2.67 | 0.40-2.67 | — |
| 8.89/350 | 4.71 | 6.21 | 6.06 | 7.51 | 7.54 | 10.14 | 9.96 | 14.39 | 13.18 | 18.43 | 17.40 | 27.53 | 27.42 | 41.51 | 41.42 | 65.66 | — | 0-3.11 | 0.47-3.11 | — |
| 10.16/400 | 5.39 | 7.11 | 6.93 | 8.59 | 8.63 | 11.59 | 11.39 | 16.45 | 15.07 | 21.07 | 19.90 | 31.48 | 31.36 | 47.46 | 47.38 | 75.08 | — | 0-3.55 | 0.54-3.55 | — |
| 12.70/500 | 6.75 | 8.90 | 8.67 | 10.75 | 10.80 | 14.50 | 14.25 | 20.58 | 18.86 | 26.36 | 24.90 | 39.37 | 39.23 | 59.36 | 59.30 | 93.93 | — | 0-4.44 | 0.67-4.44 | — |
| 15.24/600 | 8.11 | 10.69 | 10.42 | 12.91 | 12.97 | 17.41 | 17.11 | 24.70 | 22.64 | 31.65 | 29.89 | 47.25 | 47.11 | 71.25 | 71.22 | 112.77 | — | 0-5.33 | 0.81-5.33 | — |

Unit: feet

| Screen size (diagonal) | Distance to screen (L) | | | | | | | | | | | | | | | | | Height from the edge of screen to center of lens (H) | | |
|------------------------|------------------------|---------------------|---------------|---------------------|--------------|---------------------|--------------|-----------------------------------|-------------|---------------------|-------------|---------------------|-------------|---------------------|-------------|----------------------------|---------|--|-----------|-----------|
| | Zoom | | | | | | | | | | Fixed-focus | | | | | | | Supplied lens ET-DLE085 105/150/250 350/450 | ET-DLE060 | ET-DLE055 |
| | ET-DLE060 Zoom lens | ET-DLE085 Zoom lens | | ET-DLE105 Zoom lens | | ET-DLE150 Zoom lens | | Supplied lens ET-DLE170 Zoom lens | | ET-DLE250 Zoom lens | | ET-DLE350 Zoom lens | | ET-DLE450 Zoom lens | | ET-DLE055 Fixed-focus lens | | | | |
| | 0.600-0.801:1 | | 0.782-0.977:1 | | 0.978-1.32:1 | | 01.30-1.89:1 | | 1.71-2.41:1 | | 2.27-3.62:1 | | 3.58-5.45:1 | | 5.36-8.58:1 | | 0.786:1 | | | |
| [m] | [in] | min. | max. | min. | max. | min. | max. | min. | max. | min. | max. | min. | max. | min. | max. | | | | | |
| 1.27/ 50 | 2.1 | 2.8 | 2.7 | 3.4 | 3.4 | 4.6 | 4.5 | 6.6 | 6.0 | 8.4 | 7.9 | 12.7 | 12.5 | 19.1 | 18.6 | 29.9 | 2.7 | 0-1.5 | 0.2-1.5 | 1.1 |
| 1.52/ 60 | 2.5 | 3.4 | 3.3 | 4.1 | 4.1 | 5.6 | 5.5 | 8.0 | 7.2 | 10.2 | 9.6 | 15.3 | 15.1 | 23.0 | 22.5 | 36.1 | 3.3 | 0-1.7 | 0.3-1.7 | 1.3 |
| 1.78/ 70 | 2.9 | 3.9 | 3.9 | 4.8 | 4.8 | 6.5 | 6.4 | 9.3 | 8.5 | 11.9 | 11.2 | 17.9 | 17.6 | 26.9 | 26.4 | 42.3 | 3.9 | 0-2.0 | 0.3-2.0 | 1.5 |
| 2.03/ 80 | 3.4 | 4.5 | 4.4 | 5.5 | 5.5 | 7.5 | 7.3 | 10.7 | 9.7 | 13.6 | 12.8 | 20.4 | 20.2 | 30.8 | 30.3 | 48.5 | 4.4 | 0-2.3 | 0.4-2.3 | 1.8 |
| 2.29/ 90 | 3.8 | 5.1 | 5.0 | 6.2 | 6.2 | 8.4 | 8.3 | 12.0 | 10.9 | 15.4 | 14.5 | 23.0 | 22.8 | 34.7 | 34.2 | 54.7 | 5.0 | 0-2.6 | 0.4-2.6 | 2.0 |
| 2.54/100 | 4.3 | 5.7 | 5.6 | 6.9 | 7.0 | 9.4 | 9.2 | 13.4 | 12.2 | 17.1 | 16.1 | 25.6 | 25.4 | 38.6 | 38.1 | 60.8 | 5.6 | 0-2.9 | 0.4-2.9 | 2.2 |
| 3.05/120 | 5.2 | 6.9 | 6.7 | 8.4 | 8.4 | 11.3 | 11.1 | 16.1 | 14.7 | 20.6 | 19.4 | 30.8 | 30.6 | 46.4 | 45.9 | 73.2 | 6.7 | 0-3.5 | 0.5-3.5 | 2.6 |
| 3.81/150 | 6.5 | 8.6 | 8.4 | 10.5 | 10.5 | 14.2 | 13.9 | 20.1 | 18.4 | 25.8 | 24.3 | 38.6 | 38.3 | 58.1 | 57.7 | 91.8 | 8.5 | 0-4.4 | 0.7-4.4 | 3.3 |
| 5.08/200 | 8.7 | 11.6 | 11.3 | 14.0 | 14.1 | 18.9 | 18.6 | 26.9 | 24.6 | 34.5 | 32.5 | 51.5 | 51.2 | 77.6 | 77.2 | 122.7 | 11.3 | 0-5.8 | 0.9-5.8 | 4.4 |
| 6.35/250 | 11.0 | 14.5 | 14.1 | 17.6 | 17.6 | 23.7 | 23.3 | 33.7 | 30.8 | 43.1 | 40.7 | 64.4 | 64.1 | 97.1 | 96.8 | 153.6 | — | 0-7.3 | 1.1-7.3 | — |
| 7.62/300 | 13.2 | 17.4 | 17.0 | 21.1 | 21.2 | 28.5 | 28.0 | 40.4 | 37.0 | 51.8 | 48.9 | 77.4 | 77.1 | 116.7 | 116.3 | 184.5 | — | 0-8.7 | 1.3-8.7 | — |
| 8.89/350 | 15.4 | 20.4 | 19.9 | 24.6 | 24.8 | 33.3 | 32.7 | 47.2 | 43.2 | 60.5 | 57.1 | 90.3 | 90.0 | 136.2 | 135.9 | 215.4 | — | 0-10.2 | 1.5-10.2 | — |
| 10.16/400 | 17.7 | 23.3 | 22.7 | 28.2 | 28.3 | 38.0 | 37.4 | 54.0 | 49.4 | 69.1 | 65.3 | 103.3 | 102.9 | 155.7 | 155.4 | 246.3 | — | 0-11.7 | 1.8-11.7 | — |
| 12.70/500 | 22.1 | 29.2 | 28.5 | 35.3 | 35.4 | 47.6 | 46.7 | 67.5 | 61.9 | 86.5 | 81.7 | 129.2 | 128.7 | 194.7 | 194.6 | 308.2 | — | 0-14.6 | 2.2-14.6 | — |
| 15.24/600 | 26.6 | 35.1 | 34.2 | 42.3 | 42.5 | 57.1 | 56.1 | 81.1 | 74.3 | 103.8 | 98.1 | 155.0 | 154.6 | 233.8 | 233.7 | 370.0 | — | 0-17.5 | 2.6-17.5 | — |

- The value for L (distance to screen) varies slightly within ±5% depending on the zoom lens characteristics.
- The zoom lens characteristics may cause slight image distortion.
- When using keystone correction is used, the image is corrected in the direction that reduces its projected size.
- The brightness varies depending on the zoom setting.

Note: When the ET-DLE055 is mounted, the optical lens shift function cannot be used.

Projection distance for 16:9 aspect ratio screen (If using other than the ET-DLE030)

Unit: meters

| Screen size (diagonal) | Distance to screen (L) | | | | | | | | | | | | | | | | | | Height from the edge of screen to center of lens (H) | | |
|------------------------|------------------------|---------------------|---------------------|---------------------|-----------------------------------|-------------|---------------------|---------------------|---------------------|----------------------------|-------|-------|-------|-------|-------|-------------|------|-------|--|-----------|-----------|
| | Zoom | | | | | | | | | | | | | | | Fixed-focus | | | Supplied lens ET-DLE085 105/150/250 350/450 | ET-DLE060 | ET-DLE055 |
| | ET-DLE060 Zoom lens | ET-DLE085 Zoom lens | ET-DLE105 Zoom lens | ET-DLE150 Zoom lens | Supplied lens ET-DLE170 Zoom lens | | ET-DLE250 Zoom lens | ET-DLE350 Zoom lens | ET-DLE450 Zoom lens | ET-DLE055 Fixed-focus lens | | | | | | | | | | | |
| | Throw ratio | | | | | | | | | | | | | | | | | | | | |
| 0.600-0.802:1 | 0.783-0.977:1 | 0.979-1.32:1 | 1.30-1.89:1 | 1.72-2.41:1 | 2.27-3.62:1 | 3.58-5.45:1 | 5.36-8.58:1 | 0.786:1 | | | | | | | | | | | | | |
| [m] | [in] | min. | max. | min. | max. | min. | max. | min. | max. | min. | max. | min. | max. | min. | max. | min. | max. | min. | max. | | |
| 1.27/ 50 | 0.64 | 0.87 | 0.85 | 1.07 | 1.06 | 1.45 | 1.42 | 2.07 | 1.87 | 2.64 | 2.49 | 3.97 | 3.91 | 5.98 | 5.82 | 9.39 | 0.85 | -0.06 | -0.46 | 0-0.46 | 0.31 |
| 1.52/ 60 | 0.78 | 1.05 | 1.03 | 1.29 | 1.29 | 1.75 | 1.71 | 2.49 | 2.26 | 3.19 | 3.00 | 4.79 | 4.72 | 7.20 | 7.05 | 11.32 | 1.03 | -0.07 | -0.55 | 0-0.55 | 0.37 |
| 1.78/ 70 | 0.92 | 1.24 | 1.21 | 1.51 | 1.51 | 2.05 | 2.00 | 2.92 | 2.65 | 3.73 | 3.51 | 5.60 | 5.53 | 8.43 | 8.27 | 13.26 | 1.21 | -0.09 | -0.64 | 0-0.64 | 0.44 |
| 2.03/ 80 | 1.06 | 1.42 | 1.39 | 1.73 | 1.73 | 2.35 | 2.30 | 3.34 | 3.04 | 4.27 | 4.03 | 6.41 | 6.34 | 9.65 | 9.50 | 15.20 | 1.39 | -0.10 | -0.73 | 0-0.73 | 0.50 |
| 2.29/ 90 | 1.20 | 1.60 | 1.57 | 1.95 | 1.96 | 2.64 | 2.59 | 3.77 | 3.43 | 4.82 | 4.54 | 7.22 | 7.15 | 10.87 | 10.72 | 17.13 | 1.57 | -0.11 | -0.82 | 0-0.82 | 0.56 |
| 2.54/100 | 1.34 | 1.79 | 1.75 | 2.17 | 2.18 | 2.94 | 2.89 | 4.19 | 3.82 | 5.36 | 5.05 | 8.03 | 7.96 | 12.09 | 11.95 | 19.07 | 1.75 | -0.12 | -0.91 | 0-0.91 | 0.62 |
| 3.05/120 | 1.62 | 2.16 | 2.10 | 2.62 | 2.63 | 3.54 | 3.47 | 5.04 | 4.60 | 6.45 | 6.08 | 9.65 | 9.58 | 14.54 | 14.40 | 22.94 | 2.11 | -0.15 | -1.10 | 0-1.10 | 0.75 |
| 3.81/150 | 2.04 | 2.71 | 2.64 | 3.28 | 3.29 | 4.44 | 4.36 | 6.31 | 5.76 | 8.08 | 7.62 | 12.08 | 12.00 | 18.21 | 18.08 | 28.75 | 2.65 | -0.19 | -1.37 | 0-1.37 | 0.93 |
| 5.08/200 | 2.74 | 3.63 | 3.54 | 4.39 | 4.41 | 5.93 | 5.82 | 8.43 | 7.71 | 10.80 | 10.19 | 16.14 | 16.05 | 24.32 | 24.20 | 38.44 | 3.55 | -0.25 | -1.83 | 0-1.83 | 1.25 |
| 6.35/250 | 3.44 | 4.55 | 4.43 | 5.50 | 5.52 | 7.43 | 7.29 | 10.55 | 9.65 | 13.51 | 12.75 | 20.19 | 20.10 | 30.44 | 30.33 | 48.12 | — | -0.31 | -2.28 | 0-2.28 | — |
| 7.62/300 | 4.14 | 5.47 | 5.33 | 6.61 | 6.64 | 8.93 | 8.76 | 12.67 | 11.60 | 16.23 | 15.32 | 24.25 | 24.14 | 36.55 | 36.45 | 57.81 | — | -0.37 | -2.74 | 0-2.74 | — |
| 8.89/350 | 4.84 | 6.39 | 6.23 | 7.72 | 7.76 | 10.42 | 10.23 | 14.79 | 13.55 | 18.95 | 17.89 | 28.30 | 28.19 | 42.67 | 42.58 | 67.49 | — | -0.44 | -3.20 | 0-3.20 | — |
| 10.16/400 | 5.54 | 7.31 | 7.12 | 8.83 | 8.87 | 11.92 | 11.70 | 16.91 | 15.49 | 21.66 | 20.46 | 32.35 | 32.24 | 48.78 | 48.71 | 77.18 | — | -0.50 | -3.65 | 0-3.65 | — |
| 12.70/500 | 6.93 | 9.15 | 8.91 | 11.05 | 11.10 | 14.91 | 14.64 | 21.15 | 19.38 | 27.10 | 25.59 | 40.46 | 40.33 | 61.01 | 60.96 | 96.55 | — | -0.62 | -4.57 | 0-4.57 | — |
| 15.24/600 | 8.33 | 10.99 | 10.71 | 13.27 | 13.33 | 17.90 | 17.58 | 25.39 | 23.27 | 32.53 | 30.72 | 48.57 | 48.42 | 73.24 | 73.21 | 115.91 | — | -0.75 | -5.48 | 0-5.48 | — |

Unit: feet

| Screen size (diagonal) | Distance to screen (L) | | | | | | | | | | | | | | | | | | Height from the edge of screen to center of lens (H) | | |
|------------------------|------------------------|---------------------|---------------------|---------------------|-----------------------------------|-------------|---------------------|---------------------|---------------------|----------------------------|-------|-------|-------|-------|-------|-------------|------|------|--|-----------|-----------|
| | Zoom | | | | | | | | | | | | | | | Fixed-focus | | | Supplied lens ET-DLE085 105/150/250 350/450 | ET-DLE060 | ET-DLE055 |
| | ET-DLE060 Zoom lens | ET-DLE085 Zoom lens | ET-DLE105 Zoom lens | ET-DLE150 Zoom lens | Supplied lens ET-DLE170 Zoom lens | | ET-DLE250 Zoom lens | ET-DLE350 Zoom lens | ET-DLE450 Zoom lens | ET-DLE055 Fixed-focus lens | | | | | | | | | | | |
| | Throw ratio | | | | | | | | | | | | | | | | | | | | |
| 0.600-0.802:1 | 0.783-0.977:1 | 0.979-1.32:1 | 1.30-1.89:1 | 1.72-2.41:1 | 2.27-3.62:1 | 3.58-5.45:1 | 5.36-8.58:1 | 0.786:1 | | | | | | | | | | | | | |
| [m] | [in] | min. | max. | min. | max. | min. | max. | min. | max. | min. | max. | min. | max. | min. | max. | min. | max. | min. | max. | | |
| 1.27/ 50 | 2.1 | 2.8 | 2.8 | 3.5 | 3.5 | 4.8 | 4.6 | 6.8 | 6.1 | 8.7 | 8.2 | 13.0 | 12.8 | 19.6 | 19.1 | 30.8 | 2.8 | -0.2 | -1.5 | 0-1.5 | 1.0 |
| 1.52/ 60 | 2.6 | 3.5 | 3.4 | 4.2 | 4.2 | 5.7 | 5.6 | 8.2 | 7.4 | 10.5 | 9.8 | 15.7 | 15.5 | 23.6 | 23.1 | 37.1 | 3.4 | -0.2 | -1.8 | 0-1.8 | 1.2 |
| 1.78/ 70 | 3.0 | 4.1 | 4.0 | 5.0 | 5.0 | 6.7 | 6.6 | 9.6 | 8.7 | 12.2 | 11.5 | 18.4 | 18.1 | 27.6 | 27.1 | 43.5 | 4.0 | -0.3 | -2.1 | 0-2.1 | 1.4 |
| 2.03/ 80 | 3.5 | 4.7 | 4.5 | 5.7 | 5.7 | 7.7 | 7.5 | 11.0 | 10.0 | 14.0 | 13.2 | 21.0 | 20.8 | 31.7 | 31.2 | 49.9 | 4.6 | -0.3 | -2.4 | 0-2.4 | 1.6 |
| 2.29/ 90 | 3.9 | 5.3 | 5.1 | 6.4 | 6.4 | 8.7 | 8.5 | 12.4 | 11.2 | 15.8 | 14.9 | 23.7 | 23.5 | 35.7 | 35.2 | 56.2 | 5.2 | -0.4 | -2.7 | 0-2.7 | 1.8 |
| 2.54/100 | 4.4 | 5.9 | 5.7 | 7.1 | 7.2 | 9.6 | 9.5 | 13.7 | 12.5 | 17.6 | 16.6 | 26.3 | 26.1 | 39.7 | 39.2 | 62.6 | 5.7 | -0.4 | -3.0 | 0-3.0 | 2.0 |
| 3.05/120 | 5.3 | 7.1 | 6.9 | 8.6 | 8.6 | 11.6 | 11.4 | 16.5 | 15.1 | 21.2 | 19.9 | 31.7 | 31.4 | 47.7 | 47.2 | 75.3 | 6.9 | -0.5 | -3.6 | 0-3.6 | 2.5 |
| 3.81/150 | 6.7 | 8.9 | 8.7 | 10.8 | 10.8 | 14.6 | 14.3 | 20.7 | 18.9 | 26.5 | 25.0 | 39.6 | 39.4 | 59.7 | 59.3 | 94.3 | 8.7 | -0.6 | -4.5 | 0-4.5 | 3.1 |
| 5.08/200 | 9.0 | 11.9 | 11.6 | 14.4 | 14.5 | 19.5 | 19.1 | 27.7 | 25.3 | 35.4 | 33.4 | 52.9 | 52.7 | 79.8 | 79.4 | 126.1 | 11.7 | -0.8 | -6.0 | 0-6.0 | 4.1 |
| 6.35/250 | 11.3 | 14.9 | 14.5 | 18.1 | 18.1 | 24.4 | 23.9 | 34.6 | 31.7 | 44.3 | 41.8 | 66.2 | 65.9 | 99.9 | 99.5 | 157.9 | — | -1.0 | -7.5 | 0-7.5 | — |
| 7.62/300 | 13.6 | 17.9 | 17.5 | 21.7 | 21.8 | 29.3 | 28.8 | 41.6 | 38.1 | 53.2 | 50.3 | 79.5 | 79.2 | 119.9 | 119.6 | 189.7 | — | -1.2 | -9.0 | 0-9.0 | — |
| 8.89/350 | 15.9 | 21.0 | 20.4 | 25.3 | 25.5 | 34.2 | 33.6 | 48.5 | 44.4 | 62.2 | 58.7 | 92.8 | 92.5 | 140.0 | 139.7 | 221.4 | — | -1.4 | -10.5 | 0-10.5 | — |
| 10.16/400 | 18.2 | 24.0 | 23.4 | 29.0 | 29.1 | 39.1 | 38.4 | 55.5 | 50.8 | 71.1 | 67.1 | 106.1 | 105.8 | 160.0 | 159.8 | 253.2 | — | -1.6 | -12.0 | 0-12.0 | — |
| 12.70/500 | 22.7 | 30.0 | 29.2 | 36.2 | 36.4 | 48.9 | 48.0 | 69.4 | 63.6 | 88.9 | 84.0 | 132.8 | 132.3 | 200.2 | 200.0 | 316.8 | — | -2.0 | -15.0 | 0-15.0 | — |
| 15.24/600 | 27.3 | 36.0 | 35.1 | 43.5 | 43.7 | 58.7 | 57.7 | 83.3 | 76.4 | 106.7 | 100.8 | 159.4 | 158.9 | 240.3 | 240.2 | 380.3 | — | -2.5 | -18.0 | 0-18.0 | — |

- The value for L (distance to screen) varies slightly within ±5% depending on the zoom lens characteristics.
- The zoom lens characteristics may cause slight image distortion.
- When using keystone correction is used, the image is corrected in the direction that reduces its projected size.
- The brightness varies depending on the zoom setting.

Note: When the ET-DLE055 is mounted, the optical lens shift function cannot be used.

Projection distance for 4:3 aspect ratio screen (If using other than the ET-DLE030)

Unit: meters

| Screen size (diagonal) | Distance to screen (L) | | | | | | | | | | | | | | Height from the edge of screen to center of lens (H) | | | | | | |
|------------------------|------------------------|---------------------|-------|---------------------|-------|---------------------|-------|-----------------------------------|--------------|---------------------|---------------------|-------------|-------|-------------|--|----------------------------|------|---------|---|-----------|-----------|
| | Zoom | | | | | | | | | | Fixed-focus | | | | | | | | | | |
| | ET-DLE060 Zoom lens | ET-DLE085 Zoom lens | | ET-DLE105 Zoom lens | | ET-DLE150 Zoom lens | | Supplied lens ET-DLE170 Zoom lens | | ET-DLE250 Zoom lens | ET-DLE350 Zoom lens | | | | ET-DLE450 Zoom lens | ET-DLE055 Fixed-focus lens | | | | | |
| | Throw ratio | | | | | | | | | | | | | | | | | | | | |
| [m] | [in] | 0.724-0.965:1 | | 0.943-1.18:1 | | 1.18-1.59:1 | | 1.56-2.27:1 | | 2.06-2.90:1 | | 2.73-4.35:1 | | 4.30-6.55:1 | | 6.46-10.3:1 | | 0.946:1 | Supplied lens ET-DLE085 105/150/250 350/450 | ET-DLE060 | ET-DLE055 |
| 1.27/ 50 | 0.71 | 0.96 | 0.94 | 1.18 | 1.18 | 1.60 | 1.56 | 2.29 | 2.07 | 2.92 | 2.75 | 4.39 | 4.32 | 6.60 | 6.45 | 10.37 | 0.94 | 0-0.50 | 0.08-0.50 | 0.38 | |
| 1.52/ 60 | 0.87 | 1.16 | 1.14 | 1.42 | 1.42 | 1.93 | 1.89 | 2.75 | 2.50 | 3.52 | 3.31 | 5.28 | 5.21 | 7.95 | 7.80 | 12.50 | 1.14 | 0-0.60 | 0.09-0.60 | 0.46 | |
| 1.78/ 70 | 1.02 | 1.37 | 1.33 | 1.67 | 1.67 | 2.26 | 2.21 | 3.22 | 2.93 | 4.12 | 3.88 | 6.17 | 6.10 | 9.29 | 9.14 | 14.63 | 1.34 | 0-0.70 | 0.11-0.70 | 0.53 | |
| 2.03/ 80 | 1.18 | 1.57 | 1.53 | 1.91 | 1.91 | 2.59 | 2.54 | 3.69 | 3.35 | 4.72 | 4.44 | 7.07 | 7.00 | 10.64 | 10.49 | 16.77 | 1.54 | 0-0.80 | 0.12-0.80 | 0.61 | |
| 2.29/ 90 | 1.33 | 1.77 | 1.73 | 2.16 | 2.16 | 2.92 | 2.86 | 4.15 | 3.78 | 5.31 | 5.01 | 7.96 | 7.89 | 11.99 | 11.84 | 18.90 | 1.74 | 0-0.91 | 0.14-0.91 | 0.69 | |
| 2.54/100 | 1.48 | 1.97 | 1.93 | 2.40 | 2.41 | 3.25 | 3.18 | 4.62 | 4.21 | 5.91 | 5.57 | 8.85 | 8.78 | 13.34 | 13.19 | 21.03 | 1.93 | 0-1.01 | 0.15-1.01 | 0.76 | |
| 3.05/120 | 1.79 | 2.38 | 2.32 | 2.89 | 2.90 | 3.91 | 3.83 | 5.55 | 5.07 | 7.11 | 6.71 | 10.64 | 10.56 | 16.03 | 15.89 | 25.30 | 2.33 | 0-1.21 | 0.18-1.21 | 0.91 | |
| 3.81/150 | 2.25 | 2.99 | 2.91 | 3.62 | 3.63 | 4.89 | 4.80 | 6.96 | 6.35 | 8.91 | 8.40 | 13.32 | 13.24 | 20.07 | 19.94 | 31.70 | 2.93 | 0-1.51 | 0.23-1.51 | 1.14 | |
| 5.08/200 | 3.02 | 4.00 | 3.90 | 4.84 | 4.86 | 6.54 | 6.42 | 9.29 | 8.50 | 11.90 | 11.23 | 17.78 | 17.69 | 26.80 | 26.69 | 42.37 | 3.92 | 0-2.01 | 0.30-2.01 | 1.52 | |
| 6.35/250 | 3.79 | 5.01 | 4.89 | 6.07 | 6.09 | 8.19 | 8.04 | 11.63 | 10.64 | 14.89 | 14.06 | 22.25 | 22.15 | 33.54 | 33.44 | 53.04 | — | 0-2.51 | 0.38-2.51 | — | |
| 7.62/300 | 4.56 | 6.03 | 5.88 | 7.29 | 7.32 | 9.84 | 9.66 | 13.96 | 12.78 | 17.88 | 16.88 | 26.71 | 26.61 | 40.27 | 40.18 | 63.70 | — | 0-3.02 | 0.46-3.02 | — | |
| 8.89/350 | 5.33 | 7.04 | 6.86 | 8.51 | 8.55 | 11.48 | 11.28 | 16.30 | 14.93 | 20.88 | 19.71 | 31.18 | 31.06 | 47.01 | 46.93 | 74.37 | — | 0-3.52 | 0.53-3.52 | — | |
| 10.16/400 | 6.10 | 8.05 | 7.85 | 9.73 | 9.78 | 13.13 | 12.90 | 18.63 | 17.07 | 23.87 | 22.54 | 35.64 | 35.52 | 53.74 | 53.68 | 85.04 | — | 0-4.02 | 0.61-4.02 | — | |
| 12.70/500 | 7.64 | 10.08 | 9.82 | 12.17 | 12.23 | 16.42 | 16.13 | 23.30 | 21.36 | 29.85 | 28.19 | 44.58 | 44.43 | 67.21 | 67.17 | 106.37 | — | 0-5.03 | 0.76-5.03 | — | |
| 15.24/600 | 9.18 | 12.11 | 11.80 | 14.62 | 14.69 | 19.72 | 19.37 | 27.97 | 25.64 | 35.84 | 33.85 | 53.51 | 53.35 | 80.68 | 80.67 | 127.70 | — | 0-6.04 | 0.91-6.04 | — | |

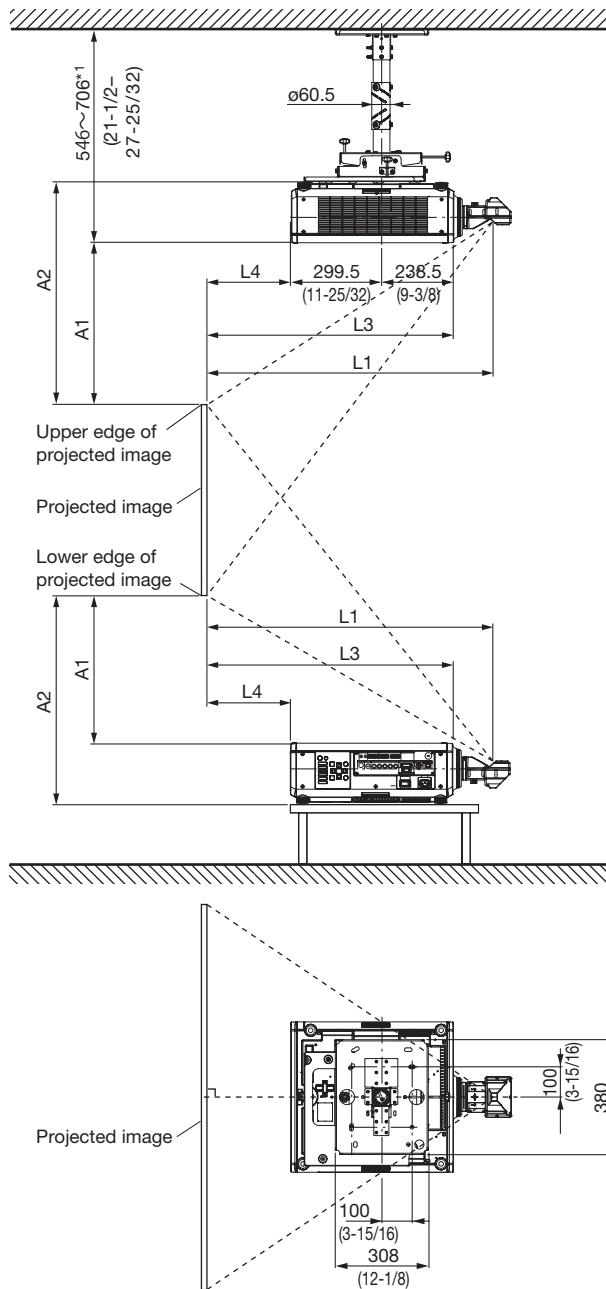
Unit: feet

| Screen size (diagonal) | Distance to screen (L) | | | | | | | | | | | | | | Height from the edge of screen to center of lens (H) | | | | | | |
|------------------------|------------------------|---------------------|------|---------------------|------|---------------------|------|-----------------------------------|-------------|---------------------|---------------------|-------------|-------|-------------|--|----------------------------|------|---------|---|-----------|-----------|
| | Zoom | | | | | | | | | | Fixed-focus | | | | | | | | | | |
| | ET-DLE060 Zoom lens | ET-DLE085 Zoom lens | | ET-DLE105 Zoom lens | | ET-DLE150 Zoom lens | | Supplied lens ET-DLE170 Zoom lens | | ET-DLE250 Zoom lens | ET-DLE350 Zoom lens | | | | ET-DLE450 Zoom lens | ET-DLE055 Fixed-focus lens | | | | | |
| | Throw ratio | | | | | | | | | | | | | | | | | | | | |
| [m] | [in] | 0.724-0.965:1 | | 0.943-1.18:1 | | 1.18-1.59:1 | | 1.56-2.27:1 | | 2.06-2.90:1 | | 2.73-4.35:1 | | 4.30-6.55:1 | | 6.46-10.3:1 | | 0.946:1 | Supplied lens ET-DLE085 105/150/250 350/450 | ET-DLE060 | ET-DLE055 |
| 1.27/ 50 | 2.3 | 3.2 | 3.1 | 3.9 | 3.9 | 5.2 | 5.1 | 7.5 | 6.8 | 9.6 | 9.0 | 14.4 | 14.2 | 21.7 | 21.1 | 34.0 | 3.1 | 0-1.7 | 0.3-1.7 | 1.3 | |
| 1.52/ 60 | 2.9 | 3.8 | 3.7 | 4.7 | 4.7 | 6.3 | 6.2 | 9.0 | 8.2 | 11.5 | 10.9 | 17.3 | 17.1 | 26.1 | 25.6 | 41.0 | 3.7 | 0-2.0 | 0.3-2.0 | 1.5 | |
| 1.78/ 70 | 3.4 | 4.5 | 4.4 | 5.5 | 5.5 | 7.4 | 7.3 | 10.6 | 9.6 | 13.5 | 12.7 | 20.3 | 20.0 | 30.5 | 30.0 | 48.0 | 4.4 | 0-2.3 | 0.4-2.3 | 1.8 | |
| 2.03/ 80 | 3.9 | 5.1 | 5.0 | 6.3 | 6.3 | 8.5 | 8.3 | 12.1 | 11.0 | 15.5 | 14.6 | 23.2 | 23.0 | 34.9 | 34.4 | 55.0 | 5.0 | 0-2.6 | 0.4-2.6 | 2.0 | |
| 2.29/ 90 | 4.4 | 5.8 | 5.7 | 7.1 | 7.1 | 9.6 | 9.4 | 13.6 | 12.4 | 17.4 | 16.4 | 26.1 | 25.9 | 39.3 | 38.9 | 62.0 | 5.7 | 0-3.0 | 0.5-3.0 | 2.3 | |
| 2.54/100 | 4.9 | 6.5 | 6.3 | 7.9 | 7.9 | 10.7 | 10.4 | 15.2 | 13.8 | 19.4 | 18.3 | 29.0 | 28.8 | 43.8 | 43.3 | 69.0 | 6.3 | 0-3.3 | 0.5-3.3 | 2.5 | |
| 3.05/120 | 5.9 | 7.8 | 7.6 | 9.5 | 9.5 | 12.8 | 12.6 | 18.2 | 16.6 | 23.3 | 22.0 | 34.9 | 34.7 | 52.6 | 52.1 | 83.0 | 7.6 | 0-4.0 | 0.6-4.0 | 3.0 | |
| 3.81/150 | 7.4 | 9.8 | 9.6 | 11.9 | 11.9 | 16.1 | 15.8 | 22.8 | 20.8 | 29.2 | 27.6 | 43.7 | 43.4 | 65.8 | 65.4 | 104.0 | 9.6 | 0-5.0 | 0.8-5.0 | 3.8 | |
| 5.08/200 | 9.9 | 13.1 | 12.8 | 15.9 | 16.0 | 21.5 | 21.1 | 30.5 | 27.9 | 39.0 | 36.8 | 58.3 | 58.0 | 87.9 | 87.6 | 139.0 | 12.8 | 0-6.6 | 1.0-6.6 | 5.0 | |
| 6.35/250 | 12.4 | 16.5 | 16.0 | 19.9 | 20.0 | 26.9 | 26.4 | 38.1 | 34.9 | 48.9 | 46.1 | 73.0 | 72.7 | 110.0 | 109.7 | 174.0 | — | 0-8.3 | 1.3-8.3 | — | |
| 7.62/300 | 15.0 | 19.8 | 19.3 | 23.9 | 24.0 | 32.3 | 31.7 | 45.8 | 41.9 | 58.7 | 55.4 | 87.6 | 87.3 | 132.1 | 131.8 | 209.0 | — | 0-9.9 | 1.5-9.9 | — | |
| 8.89/350 | 17.5 | 23.1 | 22.5 | 27.9 | 28.0 | 37.7 | 37.0 | 53.5 | 49.0 | 68.5 | 64.7 | 102.3 | 101.9 | 154.2 | 154.0 | 244.0 | — | 0-11.6 | 1.8-11.6 | — | |
| 10.16/400 | 20.0 | 26.4 | 25.8 | 31.9 | 32.1 | 43.1 | 42.3 | 61.1 | 56.0 | 78.3 | 73.9 | 116.9 | 116.5 | 176.3 | 176.1 | 279.0 | — | 0-13.2 | 2.0-13.2 | — | |
| 12.70/500 | 25.1 | 33.1 | 32.2 | 39.9 | 40.1 | 53.9 | 52.9 | 76.5 | 70.1 | 97.9 | 92.5 | 146.2 | 145.8 | 220.5 | 220.4 | 349.0 | — | 0-16.5 | 2.5-16.5 | — | |
| 15.24/600 | 30.1 | 39.7 | 38.7 | 48.0 | 48.2 | 64.7 | 63.6 | 91.8 | 84.1 | 117.6 | 111.1 | 175.5 | 175.0 | 264.7 | 264.7 | 419.0 | — | 0-19.8 | 3.0-19.8 | — | |

- The value for L (distance to screen) varies slightly within ±5% depending on the zoom lens characteristics.
- The zoom lens characteristics may cause slight image distortion.
- When using keystone correction is used, the image is corrected in the direction that reduces its projected size.
- The brightness varies depending on the zoom setting.

Note: When the ET-DLE055 is mounted, the optical lens shift function cannot be used.

Standard setting-up position (If using the ET-DLE030)



NOTE:

Illustrations show the projector installed using optional ceiling mount bracket ET-PKD130H, optional bracket assembly ET-PKD130B and an optional lens. This illustration is not drawn to scale.

*1 Continuous height adjustment possible.

unit : mm (inch)

NOTE:

Illustrations show the projector installed using optional ceiling mount bracket ET-PKD130H, optional bracket assembly ET-PKD130B and an optional lens. This illustration is not drawn to scale.

Caution:

- All construction work should be done by a qualified technician.
- When mounting to the ceiling, use the special mounting bracket. Furthermore, in order to prevent it from falling down from the ceiling, use the supplied wire on the mounting bracket.

Projection distance for 16:10 aspect ratio screen (If using the ET-DLE030)

Unit : meters

Ultra-short focal length lens ET-DLE030
Close-up system dimensions

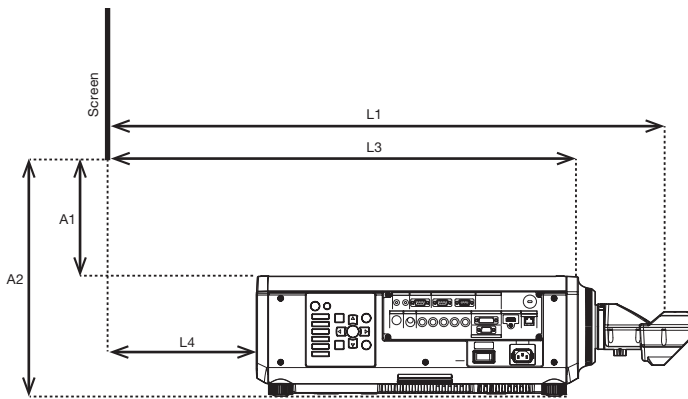
| Throw ratio | | | | 0.380:1 | | | | |
|------------------------------|-------------------------|-------------|------------|---|----------------------------------|---------------------------------|---|--|
| Diagonal image size (Inches) | Diagonal image size (m) | Height (SH) | Width (SW) | Projection distance (From mirror reflective surface to screen) (L1) | From front of set to screen (L3) | From rear of set to screen (L4) | From top of set to bottom edge of screen (A1) | From bottom of set to bottom edge of screen (A2) |
| 100 | 2.54 | 1.35 | 2.15 | 0.82 | 0.65 | 0.11 | 0.43 | 0.63 |
| 120 | 3.05 | 1.62 | 2.59 | 0.98 | 0.82 | 0.28 | 0.53 | 0.73 |
| 150 | 3.81 | 2.02 | 3.23 | 1.23 | 1.06 | 0.52 | 0.68 | 0.88 |
| 200 | 5.08 | 2.69 | 4.31 | 1.63 | 1.47 | 0.93 | 0.93 | 1.13 |
| 250 | 6.35 | 3.37 | 5.39 | 2.04 | 1.87 | 1.34 | 1.18 | 1.38 |
| 300 | 7.62 | 4.04 | 6.46 | 2.45 | 2.28 | 1.74 | 1.43 | 1.63 |
| 350 | 8.89 | 4.71 | 7.54 | 2.85 | 2.69 | 2.15 | 1.69 | 1.89 |

Unit : feet

Ultra-short focal length lens ET-DLE030
Close-up system dimensions

| Throw ratio | | | | 0.380:1 | | | | |
|------------------------------|-------------------------|-------------|------------|---|----------------------------------|---------------------------------|---|--|
| Diagonal image size (Inches) | Diagonal image size (m) | Height (SH) | Width (SW) | Projection distance (From mirror reflective surface to screen) (L1) | From front of set to screen (L3) | From rear of set to screen (L4) | From top of set to bottom edge of screen (A1) | From bottom of set to bottom edge of screen (A2) |
| 100 | 2.54 | 4.4 | 7.1 | 2.7 | 2.1 | 0.4 | 1.4 | 2.1 |
| 120 | 3.05 | 5.3 | 8.5 | 3.2 | 2.7 | 0.9 | 1.7 | 2.4 |
| 150 | 3.81 | 6.6 | 10.6 | 4.0 | 3.5 | 1.7 | 2.2 | 2.9 |
| 200 | 5.08 | 8.8 | 14.1 | 5.4 | 4.8 | 3.0 | 3.1 | 3.7 |
| 250 | 6.35 | 11.0 | 17.7 | 6.7 | 6.1 | 4.4 | 3.9 | 4.5 |
| 300 | 7.62 | 13.3 | 21.2 | 8.0 | 7.5 | 5.7 | 4.7 | 5.4 |
| 350 | 8.89 | 15.5 | 24.7 | 9.4 | 8.8 | 7.1 | 5.5 | 6.2 |

- * The value for L1 may contain an error of within ±5%.
- * When using keystone correction, the images will be corrected so that they will tend to be smaller than the specified screen size.
- * This measurement is not the distance between the rear of the projector and the wall, but is instead the distance between the rear of the projector and the screen surface. Leave at least 500 mm of space between the rear of the projector and the wall and any other objects in order to provide adequate ventilation space. If setting up the projector in a closed room, be sure to provide separate air conditioning and ventilation equipment. If there is insufficient ventilation in the room, radiated heat may build up and cause the protection circuit of the projector to operate.



- L1: Projection distance (from screen to mirror reflective surface)
- L3: From screen to front of set
- L4: From screen to rear of set
- A1: From bottom edge of screen to top of set
- A2: From bottom edge of screen to bottom of set

Projection Distance Calculation Table

Screen aspect ratio 16:10

Projection distance calculation formula

$$L1 (m) = 0.3205 \times \text{Diagonal image size} + 0.0047$$

Calculation formula for distance from top of set to bottom edge of screen

$$A1 (m) = 0.1977 \times \text{Diagonal image size} - 0.07210$$

Projection distance for 16:9 aspect ratio screen (If using the ET-DLE030)

Unit : meters

Ultra-short focal length lens ET-DLE030
Close-up system dimensions

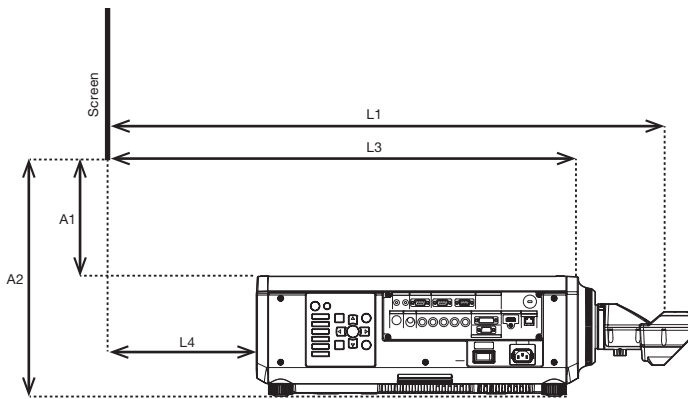
| Throw ratio | | | | 0.380:1 | | | | |
|------------------------------|-------------------------|-------------|------------|---|----------------------------------|---------------------------------|---|--|
| Diagonal image size (Inches) | Diagonal image size (m) | Height (SH) | Width (SW) | Projection distance (From mirror reflective surface to screen) (L1) | From front of set to screen (L3) | From rear of set to screen (L4) | From top of set to bottom edge of screen (A1) | From bottom of set to bottom edge of screen (A2) |
| 100 | 2.54 | 1.25 | 2.21 | 0.84 | 0.68 | 0.14 | 0.51 | 0.71 |
| 120 | 3.05 | 1.49 | 2.66 | 1.01 | 0.84 | 0.30 | 0.63 | 0.83 |
| 150 | 3.81 | 1.87 | 3.32 | 1.26 | 1.09 | 0.56 | 0.81 | 1.01 |
| 200 | 5.08 | 2.49 | 4.43 | 1.68 | 1.51 | 0.97 | 1.10 | 1.30 |
| 250 | 6.35 | 3.11 | 5.54 | 2.10 | 1.93 | 1.39 | 1.39 | 1.59 |
| 300 | 7.62 | 3.74 | 6.64 | 2.51 | 2.35 | 1.81 | 1.68 | 1.88 |
| 350 | 8.89 | 4.36 | 7.75 | 2.93 | 2.77 | 2.23 | 1.98 | 2.18 |

Unit : feet

Ultra-short focal length lens ET-DLE030
Close-up system dimensions

| Throw ratio | | | | 0.380:1 | | | | |
|------------------------------|-------------------------|-------------|------------|---|----------------------------------|---------------------------------|---|--|
| Diagonal image size (Inches) | Diagonal image size (m) | Height (SH) | Width (SW) | Projection distance (From mirror reflective surface to screen) (L1) | From front of set to screen (L3) | From rear of set to screen (L4) | From top of set to bottom edge of screen (A1) | From bottom of set to bottom edge of screen (A2) |
| 100 | 2.54 | 4.1 | 7.3 | 2.8 | 2.2 | 0.4 | 1.7 | 2.3 |
| 120 | 3.05 | 4.9 | 8.7 | 3.3 | 2.8 | 1.0 | 2.1 | 2.7 |
| 150 | 3.81 | 6.1 | 10.9 | 4.1 | 3.6 | 1.8 | 2.6 | 3.3 |
| 200 | 5.08 | 8.2 | 14.5 | 5.5 | 5.0 | 3.2 | 3.6 | 4.3 |
| 250 | 6.35 | 10.2 | 18.2 | 6.9 | 6.3 | 4.6 | 4.6 | 5.2 |
| 300 | 7.62 | 12.3 | 21.8 | 8.2 | 7.7 | 5.9 | 5.5 | 6.2 |
| 350 | 8.89 | 14.3 | 25.4 | 9.6 | 9.1 | 7.3 | 6.5 | 7.1 |

- * The value for L1 may contain an error of within ±5%.
- * When using keystone correction, the images will be corrected so that they will tend to be smaller than the specified screen size.
- * This measurement is not the distance between the rear of the projector and the wall, but is instead the distance between the rear of the projector and the screen surface. Leave at least 500 mm of space between the rear of the projector and the wall and any other objects in order to provide adequate ventilation space. If setting up the projector in a closed room, be sure to provide separate air conditioning and ventilation equipment. If there is insufficient ventilation in the room, radiated heat may build up and cause the protection circuit of the projector to operate.



- L1: Projection distance (from screen to mirror reflective surface)
- L3: From screen to front of set
- L4: From screen to rear of set
- A1: From bottom edge of screen to top of set
- A2: From bottom edge of screen to bottom of set

Projection Distance Calculation Table

Screen aspect ratio 16:9

Projection distance calculation formula

$$L1 (m) = 0.3294 \times \text{Diagonal image size} + 0.0047$$

Calculation formula for distance from top of set to bottom edge of screen

$$A1 (m) = 0.2304 \times \text{Diagonal image size} - 0.07210$$

Projection distance for 4:3 aspect ratio screen (If using the ET-DLE030)

Unit : meters

Ultra-short focal length lens ET-DLE030
Close-up system dimensions

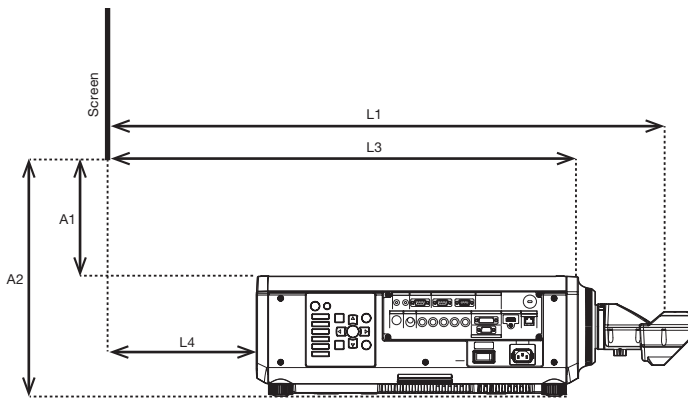
| Throw ratio | | | | 0.456:1 | | | | |
|------------------------------|-------------------------|-------------|------------|---|----------------------------------|---------------------------------|---|--|
| Diagonal image size (Inches) | Diagonal image size (m) | Height (SH) | Width (SW) | Projection distance (From mirror reflective surface to screen) (L1) | From front of set to screen (L3) | From rear of set to screen (L4) | From top of set to bottom edge of screen (A1) | From bottom of set to bottom edge of screen (A2) |
| 100 | 2.54 | 1.52 | 2.03 | 0.93 | 0.76 | 0.22 | 0.50 | 0.70 |
| 120 | 3.05 | 1.83 | 2.44 | 1.11 | 0.94 | 0.41 | 0.61 | 0.81 |
| 150 | 3.81 | 2.29 | 3.05 | 1.39 | 1.22 | 0.68 | 0.78 | 0.98 |
| 200 | 5.08 | 3.05 | 4.06 | 1.85 | 1.68 | 1.14 | 1.06 | 1.27 |
| 250 | 6.35 | 3.81 | 5.08 | 2.31 | 2.14 | 1.60 | 1.35 | 1.55 |
| 300 | 7.62 | 4.57 | 6.10 | 2.77 | 2.60 | 2.07 | 1.63 | 1.83 |
| 350 | 8.89 | 5.33 | 7.11 | 3.23 | 3.06 | 2.53 | 1.92 | 2.12 |

Unit : feet

Ultra-short focal length lens ET-DLE030
Close-up system dimensions

| Throw ratio | | | | 0.456:1 | | | | |
|------------------------------|-------------------------|-------------|------------|---|----------------------------------|---------------------------------|---|--|
| Diagonal image size (Inches) | Diagonal image size (m) | Height (SH) | Width (SW) | Projection distance (From mirror reflective surface to screen) (L1) | From front of set to screen (L3) | From rear of set to screen (L4) | From top of set to bottom edge of screen (A1) | From bottom of set to bottom edge of screen (A2) |
| 100 | 2.54 | 5.0 | 6.7 | 3.0 | 2.5 | 0.7 | 1.6 | 2.3 |
| 120 | 3.05 | 6.0 | 8.0 | 3.6 | 3.1 | 1.3 | 2.0 | 2.7 |
| 150 | 3.81 | 7.5 | 10.0 | 4.6 | 4.0 | 2.2 | 2.6 | 3.2 |
| 200 | 5.08 | 10.0 | 13.3 | 6.1 | 5.5 | 3.8 | 3.5 | 4.2 |
| 250 | 6.35 | 12.5 | 16.7 | 7.6 | 7.0 | 5.3 | 4.4 | 5.1 |
| 300 | 7.62 | 15.0 | 20.0 | 9.1 | 8.5 | 6.8 | 5.4 | 6.0 |
| 350 | 8.89 | 17.5 | 23.3 | 10.6 | 10.1 | 8.3 | 6.3 | 6.9 |

- * The value for L1 may contain an error of within ±5%.
- * When using vertical keystone correction, the images will be corrected so that they will tend to be smaller than the specified screen size.
- * This measurement is not the distance between the rear of the projector and the wall, but is instead the distance between the rear of the projector and the screen surface. Leave at least 500 mm of space between the rear of the projector and the wall and any other objects in order to provide adequate ventilation space. If setting up the projector in a closed room, be sure to provide separate air conditioning and ventilation equipment. If there is insufficient ventilation in the room, radiated heat may build up and cause the protection circuit of the projector to operate.



- L1: Projection distance (from screen to mirror reflective surface)
- L3: From screen to front of set
- L4: From screen to rear of set
- A1: From bottom edge of screen to top of set
- A2: From bottom edge of screen to bottom of set

Projection Distance Calculation Table

Screen aspect ratio 4:3

Projection distance calculation formula

$$L1 (m) = 0.3628 \times \text{Diagonal image size} + 0.0047$$

Calculation formula for distance from top of set to bottom edge of screen

$$A1 (m) = 0.2238 \times \text{Diagonal image size} - 0.07210$$

Calculation of the projection distance

For a screen size different from the above, use the equation below to calculate the projection distance.

Aspect ratio 16:10

| | | |
|-----------------------------|---------------|---|
| ET-DLE060 | minimum | $L (m) = (\text{diagonal screen size in inches}) \times 0.0136 - 0.0549$ |
| | maximum | $L (m) = (\text{diagonal screen size in inches}) \times 0.0179 - 0.0518$ |
| ET-DLE085 | minimum | $L (m) = (\text{diagonal screen size in inches}) \times 0.0174 - 0.0471$ |
| | maximum | $L (m) = (\text{diagonal screen size in inches}) \times 0.0216 - 0.0442$ |
| ET-DLE105 | minimum | $L (m) = (\text{diagonal screen size in inches}) \times 0.0217 - 0.0511$ |
| | maximum | $L (m) = (\text{diagonal screen size in inches}) \times 0.0291 - 0.0472$ |
| ET-DLE150 | minimum | $L (m) = (\text{diagonal screen size in inches}) \times 0.0286 - 0.0540$ |
| | maximum | $L (m) = (\text{diagonal screen size in inches}) \times 0.0413 - 0.0498$ |
| Supplied lens/ ET-DLE170 | minimum | $L (m) = (\text{diagonal screen size in inches}) \times 0.0379 - 0.0746$ |
| | maximum | $L (m) = (\text{diagonal screen size in inches}) \times 0.0529 - 0.0725$ |
| ET-DLE250 | minimum | $L (m) = (\text{diagonal screen size in inches}) \times 0.0500 - 0.0800$ |
| | maximum | $L (m) = (\text{diagonal screen size in inches}) \times 0.0789 - 0.0792$ |
| ET-DLE350 | minimum | $L (m) = (\text{diagonal screen size in inches}) \times 0.0787 - 0.1351$ |
| | maximum | $L (m) = (\text{diagonal screen size in inches}) \times 0.1190 - 0.1346$ |
| ET-DLE450 | minimum | $L (m) = (\text{diagonal screen size in inches}) \times 0.1192 - 0.3017$ |
| | maximum | $L (m) = (\text{diagonal screen size in inches}) \times 0.1885 - 0.2991$ |
| ET-DLE030 | (fixed focus) | $L1 (m) = (\text{diagonal screen size in inches}) \times 0.0081 - 0.0047$ |
| | | $L3 (m) = L1 - 0.166$ |
| | | $L4 (m) = L1 - 0.704$ |
| ET-DLE055 | (fixed focus) | $L (m) = (\text{diagonal screen size in inches}) \times 0.0175 - 0.0476$ |

Aspect ratio 16:9

| | | |
|-----------------------------|---------------|---|
| ET-DLE060 | minimum | $L (m) = (\text{diagonal screen size in inches}) \times 0.0140 - 0.0549$ |
| | maximum | $L (m) = (\text{diagonal screen size in inches}) \times 0.0184 - 0.0518$ |
| ET-DLE085 | minimum | $L (m) = (\text{diagonal screen size in inches}) \times 0.0179 - 0.0471$ |
| | maximum | $L (m) = (\text{diagonal screen size in inches}) \times 0.0222 - 0.0442$ |
| ET-DLE105 | minimum | $L (m) = (\text{diagonal screen size in inches}) \times 0.0223 - 0.0511$ |
| | maximum | $L (m) = (\text{diagonal screen size in inches}) \times 0.0299 - 0.0472$ |
| ET-DLE150 | minimum | $L (m) = (\text{diagonal screen size in inches}) \times 0.0294 - 0.0540$ |
| | maximum | $L (m) = (\text{diagonal screen size in inches}) \times 0.0424 - 0.0498$ |
| Supplied lens/ ET-DLE170 | minimum | $L (m) = (\text{diagonal screen size in inches}) \times 0.0389 - 0.0746$ |
| | maximum | $L (m) = (\text{diagonal screen size in inches}) \times 0.0543 - 0.0725$ |
| ET-DLE250 | minimum | $L (m) = (\text{diagonal screen size in inches}) \times 0.0513 - 0.0800$ |
| | maximum | $L (m) = (\text{diagonal screen size in inches}) \times 0.0811 - 0.0792$ |
| ET-DLE350 | minimum | $L (m) = (\text{diagonal screen size in inches}) \times 0.0809 - 0.1351$ |
| | maximum | $L (m) = (\text{diagonal screen size in inches}) \times 0.1223 - 0.1346$ |
| ET-DLE450 | minimum | $L (m) = (\text{diagonal screen size in inches}) \times 0.1225 - 0.3017$ |
| | maximum | $L (m) = (\text{diagonal screen size in inches}) \times 0.1937 - 0.2991$ |
| ET-DLE030 | (fixed focus) | $L1 (m) = (\text{diagonal screen size in inches}) \times 0.0084 - 0.0047$ |
| | | $L3 (m) = L1 - 0.166$ |
| | | $L4 (m) = L1 - 0.704$ |
| ET-DLE055 | (fixed focus) | $L (m) = (\text{diagonal screen size in inches}) \times 0.0180 - 0.0476$ |

Aspect ratio 4:3

| | | |
|-----------------------------|---------------|---|
| ET-DLE060 | minimum | $L (m) = (\text{diagonal screen size in inches}) \times 0.0154 - 0.0549$ |
| | maximum | $L (m) = (\text{diagonal screen size in inches}) \times 0.0203 - 0.0518$ |
| ET-DLE085 | minimum | $L (m) = (\text{diagonal screen size in inches}) \times 0.0197 - 0.0471$ |
| | maximum | $L (m) = (\text{diagonal screen size in inches}) \times 0.0244 - 0.0442$ |
| ET-DLE105 | minimum | $L (m) = (\text{diagonal screen size in inches}) \times 0.0246 - 0.0511$ |
| | maximum | $L (m) = (\text{diagonal screen size in inches}) \times 0.0329 - 0.0472$ |
| ET-DLE150 | minimum | $L (m) = (\text{diagonal screen size in inches}) \times 0.0324 - 0.0540$ |
| | maximum | $L (m) = (\text{diagonal screen size in inches}) \times 0.0467 - 0.0498$ |
| Supplied lens/ ET-DLE170 | minimum | $L (m) = (\text{diagonal screen size in inches}) \times 0.0429 - 0.0746$ |
| | maximum | $L (m) = (\text{diagonal screen size in inches}) \times 0.0599 - 0.0725$ |
| ET-DLE250 | minimum | $L (m) = (\text{diagonal screen size in inches}) \times 0.0565 - 0.0800$ |
| | maximum | $L (m) = (\text{diagonal screen size in inches}) \times 0.0893 - 0.0792$ |
| ET-DLE350 | minimum | $L (m) = (\text{diagonal screen size in inches}) \times 0.0891 - 0.1351$ |
| | maximum | $L (m) = (\text{diagonal screen size in inches}) \times 0.1347 - 0.1346$ |
| ET-DLE450 | minimum | $L (m) = (\text{diagonal screen size in inches}) \times 0.1349 - 0.3017$ |
| | maximum | $L (m) = (\text{diagonal screen size in inches}) \times 0.2133 - 0.2991$ |
| ET-DLE030 | (fixed focus) | $L1 (m) = (\text{diagonal screen size in inches}) \times 0.0092 - 0.0047$ |
| | | $L3 (m) = L1 - 0.166$ |
| | | $L4 (m) = L1 - 0.704$ |
| ET-DLE055 | (fixed focus) | $L (m) = (\text{diagonal screen size in inches}) \times 0.0198 - 0.0476$ |

• Distances calculated with the above equations will include a slight error.

Formula for calculating possible heights when using the ET-DLE030

If using a screen size which has not been previously mentioned, use the following calculation formulas to obtain the possible setting-up height.

For screen aspect ratio of 16:10 Possible setting-up height A1 (mm) = Projection screen size (inches) x 5.0-72.1
Possible setting-up height A2 (mm) = A1 + 200

For screen aspect ratio of 16:9 Possible setting-up height A1 (mm) = Projection screen size (inches) x 5.9-72.1
Possible setting-up height A2 (mm) = A1 + 200

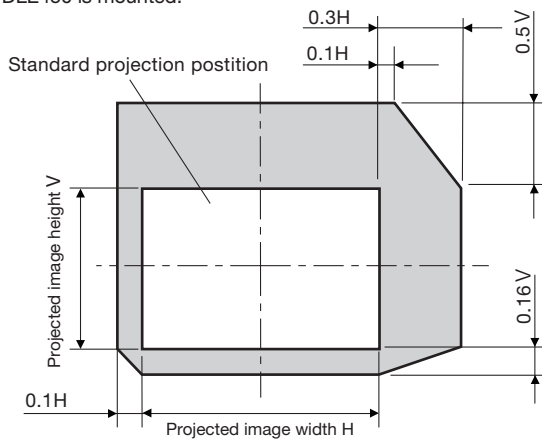
For screen aspect ratio of 4:3 Possible setting-up height A1 (mm) = Projection screen size (inches) x 5.7-72.1
Possible setting-up height A2 (mm) = A1 + 200

* There may be a small margin of error in the values obtained from the above formulas.

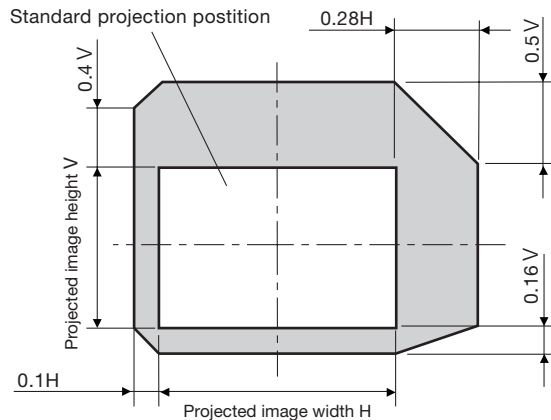
Shift range

Optical axis shift function allows to shift the position of a projected image as shown below.

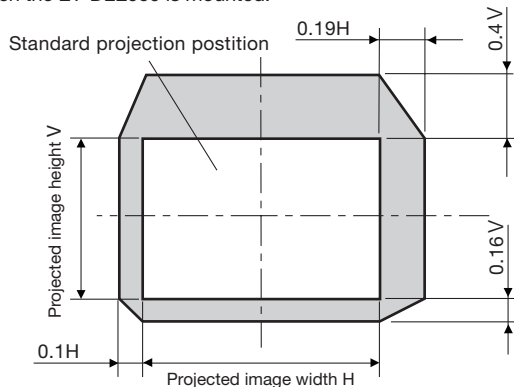
When the Standard zoom lens/ET-DLE150/ET-DLE250/ET-DLE350/ET-DLE450 is mounted.



When the ET-DLE085 and ET-DLE105 is mounted.



When the ET-DLE060 is mounted.

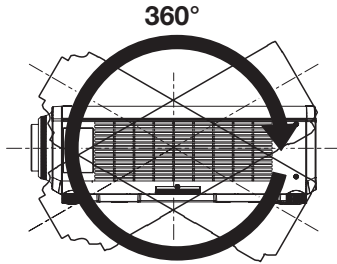


• The ET-DLE055 has a fixed short-focus lens. Therefore, the lens shift function provided in the main unit cannot be used.

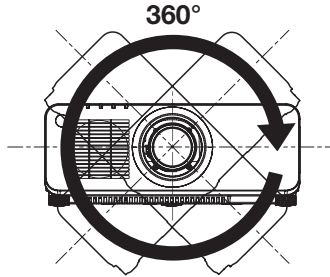
Installable angle

Install the projector at an angle within the range shown below.

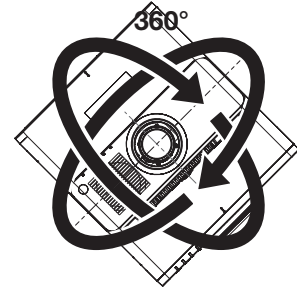
FULL 360-degree projection



Vertical 360-deg.



Horizontal 360-deg.



**Tilting 360-deg.
(V&H combination)**

List of compatible signals

The following table specifies the video signals compatible with the projector.

- Symbols that indicate formats are as follows.
 - V : VIDEO, Y/C
 - R: RGB (analog)
 - Y: YCbCr/YPbPr (analog)
 - D: DVI-D
 - H: HDMI
- Input corresponding to each item in the plug and play column is as follows.
 - RGB2: RGB2 input
 - DVI-D: DVI-D input
 - HDMI/DL: HDMI input, DIGITAL LINK input

| Compatible signal | Resolution (Dots) | Scanning freq. | | Dot clock freq. (MHz) | Format | RGB2 | Plug and Play** | | | HDMI DL |
|---------------------------|--------------------|----------------|--------|-----------------------|---------|------|-----------------|-------------|-------|---------|
| | | H (KHz) | V (Hz) | | | | EDID1 | DVD-D EDID2 | EDID3 | |
| NTSC/NTSC4.43/PAL-M/PAL60 | 720 x 480i | 15.7 | 59.9 | — | V | — | — | — | — | — |
| PAL/PAL-N/SECAM | 720 x 576i | 15.6 | 50.0 | — | V | — | — | — | — | — |
| 480/60i | 720 x 480i | 15.7 | 59.9 | 13.5 | R/Y | — | — | — | — | — |
| 576/50i | 720 x 576i | 15.6 | 50.0 | 13.5 | R/Y | — | — | — | — | — |
| 480/60i | 720(1440) x 480i*2 | 15.7 | 59.9 | 27.0 | D/H | — | — | — | — | — |
| 576/50i | 720(1440) x 576i*2 | 15.6 | 50.0 | 27.0 | D/H | — | — | — | — | — |
| 480/60p | 720 x 480 | 31.5 | 59.9 | 27.0 | R/Y/D/H | — | ✓ | — | ✓ | ✓ |
| 576/50p | 720 x 576 | 31.3 | 50.0 | 27.0 | R/Y/D/H | — | ✓ | — | ✓ | ✓ |
| 720/60p | 1280 x 720 | 45.0 | 60.0 | 74.3 | R/Y/D/H | — | ✓ | — | ✓ | ✓ |
| 720/50p | 1280 x 720 | 37.5 | 50.0 | 74.3 | R/Y/D/H | — | ✓ | — | ✓ | ✓ |
| 1080/60i | 1920 x 1080i | 33.8 | 60.0 | 74.3 | R/Y/D/H | — | ✓ | — | ✓ | ✓ |
| 1080/50i | 1920 x 1080i | 28.1 | 50.0 | 74.3 | R/Y/D/H | — | ✓ | — | ✓ | ✓ |
| 1080/24p | 1920 x 1080 | 27.0 | 24.0 | 74.3 | R/Y/D/H | — | ✓ | — | ✓ | ✓ |
| 1080/24sF | 1920 x 1080i | 27.0 | 48.0 | 74.3 | R/Y/D/H | — | — | — | — | — |
| 1080/25p | 1920 x 1080 | 28.1 | 25.0 | 74.3 | R/Y/D/H | — | ✓ | — | ✓ | — |
| 1080/30p | 1920 x 1080 | 33.8 | 30.0 | 74.3 | R/Y/D/H | — | — | — | — | — |
| 1080/60p | 1920 x 1080 | 67.5 | 60.0 | 148.5 | R/Y/D/H | — | ✓ | — | ✓ | ✓ |
| 1080/50p | 1920 x 1080 | 56.3 | 50.0 | 148.5 | R/Y/D/H | — | ✓ | — | ✓ | ✓ |
| 640 x 400/70 | 640 x 400 | 31.5 | 70.1 | 25.2 | R/D/H | — | — | — | — | — |
| 640 x 400/85 | 640 x 400 | 37.9 | 85.1 | 31.5 | R/D/H | — | — | — | — | — |
| 640 x 480/60 | 640 x 480 | 31.5 | 59.9 | 25.2 | R/D/H | ✓ | ✓ | ✓ | ✓ | ✓ |
| 640 x 480/67 | 640 x 480 | 35.0 | 66.7 | 30.2 | R/D/H | — | — | — | — | — |
| 640 x 480/73 | 640 x 480 | 37.9 | 72.8 | 31.5 | R/D/H | ✓ | — | ✓ | ✓ | ✓ |
| 640 x 480/75 | 640 x 480 | 37.5 | 75.0 | 31.5 | R/D/H | ✓ | — | ✓ | ✓ | ✓ |
| 640 x 480/85 | 640 x 480 | 43.3 | 85.0 | 36.0 | R/D/H | — | — | — | — | — |
| 800 x 600/56 | 800 x 600 | 35.2 | 56.3 | 36.0 | R/D/H | ✓ | — | ✓ | ✓ | ✓ |
| 800 x 600/60 | 800 x 600 | 37.9 | 60.3 | 40.0 | R/D/H | ✓ | — | ✓ | ✓ | ✓ |
| 800 x 600/72 | 800 x 600 | 48.1 | 72.2 | 50.0 | R/D/H | ✓ | — | ✓ | ✓ | ✓ |
| 800 x 600/75 | 800 x 600 | 46.9 | 75.0 | 49.5 | R/D/H | ✓ | — | ✓ | ✓ | ✓ |
| 800 x 600/85 | 800 x 600 | 53.7 | 85.1 | 56.3 | R/D/H | — | — | — | — | — |
| 832 x 624/75 | 832 x 624 | 49.7 | 74.6 | 57.3 | R/D/H | ✓ | — | ✓ | ✓ | ✓ |
| 1024 x 768/50 | 1024 x 768 | 39.6 | 50.0 | 51.9 | R/D/H | — | — | — | — | — |
| 1024 x 768/60 | 1024 x 768 | 48.4 | 60.0 | 65.0 | R/D/H | ✓ | — | ✓ | ✓ | ✓ |
| 1024 x 768/70 | 1024 x 768 | 56.5 | 70.1 | 75.0 | R/D/H | ✓ | — | ✓ | ✓ | ✓ |
| 1024 x 768/75 | 1024 x 768 | 60.0 | 75.0 | 78.8 | R/D/H | ✓ | — | ✓ | ✓ | ✓ |
| 1024 x 768/82 | 1024 x 768 | 65.5 | 81.6 | 86.0 | R/D/H | — | — | — | — | — |
| 1024 x 768/85 | 1024 x 768 | 68.7 | 85.0 | 94.5 | R/D/H | — | — | — | — | — |
| 1024 x 768/100 | 1024 x 768 | 81.4 | 100.0 | 113.3 | R/D/H | — | — | — | — | — |
| 1024 x 768/120 | 1024 x 768 | 98.7 | 120.0 | 139.1 | R/D/H | ✓ | — | ✓ | ✓ | ✓ |
| 1152 x 864/60 | 1152 x 864 | 53.7 | 60.0 | 81.6 | R/D/H | — | — | — | — | — |
| 1152 x 864/70 | 1152 x 864 | 64.0 | 70.0 | 94.2 | R/D/H | — | — | — | — | — |
| 1152 x 864/75 | 1152 x 864 | 67.5 | 75.0 | 108.0 | R/D/H | — | — | — | — | — |
| 1152 x 864/85 | 1152 x 864 | 77.1 | 85.0 | 119.7 | R/D/H | — | — | — | — | — |
| 1152 x 870/75 | 1152 x 870 | 68.7 | 75.1 | 100.0 | R/D/H | ✓ | — | ✓ | ✓ | ✓ |
| 1280 x 720/50 | 1280 x 720 | 37.1 | 49.8 | 60.5 | R/D/H | — | — | — | — | — |
| 1280 x 720/60 | 1280 x 720 | 44.8 | 59.9 | 74.5 | R/D/H | — | — | — | — | — |
| 1280 x 720/100 | 1280 x 720 | 76.3 | 100.0 | 131.8 | R/D/H | — | — | — | — | — |
| 1280 x 720/120 | 1280 x 720 | 92.6 | 120.0 | 161.6 | R/D/H | — | — | — | — | — |

The following table specifies the video signals compatible with the projector.

- Symbols that indicate formats are as follows.
 - V : VIDEO, Y/C
 - R: RGB (analog)
 - Y: YCbCr/YPbPr (analog)
 - D: DVI-D
 - H: HDMI
- Input corresponding to each item in the plug and play column is as follows.
 - RGB2: RGB2 input
 - DVI-D: DVI-D input
 - HDMI/DL: HDMI input, DIGITAL LINK input

| Compatible signal | Resolution (Dots) | Scanning freq. | | Dot clock freq. (MHz) | Format | RGB2 | Plug and Play*1 | | | HDMI DL |
|-------------------|-------------------|----------------|--------|-----------------------|--------|------|-----------------|-------------|-------|---------|
| | | H (KHz) | V (Hz) | | | | EDID1 | DVD-D EDID2 | EDID3 | |
| 1280 x 768/50 | 1280 x 768 | 39.6 | 49.9 | 65.3 | R/D/H | — | — | — | — | — |
| | 1280 x 768 | 47.8 | 59.9 | 79.5 | R/D/H | — | — | — | — | — |
| 1280 x 768/60 | 1280 x 768 | 47.4 | 60.0 | 68.3 | R/D/H | — | — | — | — | — |
| | 1280 x 768*3 | 47.4 | 60.0 | 68.3 | R/D/H | — | — | — | — | — |
| 1280 x 768/75 | 1280 x 768 | 60.3 | 74.9 | 102.3 | R/D/H | — | — | — | — | — |
| 1280 x 768/85 | 1280 x 768 | 68.6 | 84.8 | 117.5 | R/D/H | — | — | — | — | — |
| 1280 x 800/50 | 1280 x 800 | 41.3 | 50.0 | 68.0 | R/D/H | — | — | — | — | — |
| | 1280 x 800 | 49.7 | 59.8 | 83.5 | R/D/H | — | — | — | — | — |
| 1280 x 800/60 | 1280 x 800 | 49.3 | 59.9 | 71.0 | R/D/H | — | — | — | — | — |
| | 1280 x 800*3 | 49.3 | 59.9 | 71.0 | R/D/H | — | — | — | — | — |
| 1280 x 800/75 | 1280 x 800 | 62.8 | 74.9 | 106.5 | R/D/H | — | — | — | — | — |
| 1280 x 800/85 | 1280 x 800 | 71.6 | 84.9 | 122.5 | R/D/H | — | — | — | — | — |
| 1280 x 960/60 | 1280 x 960 | 60.0 | 60.0 | 108.0 | R/D/H | — | — | — | — | — |
| 1280 x 1024/50 | 1280 x 1024 | 52.4 | 50.0 | 88.0 | R/D/H | — | — | — | — | — |
| 1280 x 1024/60 | 1280 x 1024 | 64.0 | 60.0 | 108.0 | R/D/H | — | — | — | — | — |
| 1280 x 1024/66 | 1280 x 1024 | 72.3 | 66.3 | 125.0 | R/D/H | — | — | — | — | — |
| 1280 x 1024/72 | 1280 x 1024 | 78.2 | 72.0 | 135.1 | R/D/H | — | — | — | — | — |
| 1280 x 1024/75 | 1280 x 1024 | 80.0 | 75.0 | 135.0 | R/D/H | ✓ | — | ✓ | ✓ | ✓ |
| 1280 x 1024/85 | 1280 x 1024 | 91.1 | 85.0 | 157.5 | R/D/H | — | — | — | — | — |
| 1366 x 768/50 | 1366 x 768 | 39.6 | 49.9 | 69.0 | R/D/H | — | — | — | — | — |
| 1366 x 768/60 | 1366 x 768 | 47.7 | 59.8 | 85.5 | R/D/H | — | — | — | — | — |
| 1400 x 1050/50 | 1400 x 1050 | 54.1 | 50.0 | 99.9 | R/D/H | — | — | — | — | — |
| | 1400 x 1050 | 64.0 | 60.0 | 108.0 | R/D/H | — | — | — | — | — |
| 1400 x 1050/60 | 1400 x 1050 | 65.3 | 60.0 | 121.8 | R/D/H | — | — | — | — | — |
| | 1400 x 1050 | 65.2 | 60.0 | 122.6 | R/D/H | ✓ | — | ✓ | ✓ | ✓ |
| 1400 x 1050/72 | 1400 x 1050 | 78.8 | 72.0 | 149.3 | R/D/H | — | — | — | — | — |
| 1400 x 1050/75 | 1400 x 1050 | 82.2 | 75.0 | 155.9 | R/D/H | — | — | — | — | — |
| 1440 x 900/50 | 1440 x 900 | 46.3 | 49.9 | 86.8 | R/D/H | — | — | — | — | — |
| 1440 x 900/60 | 1440 x 900 | 55.9 | 59.9 | 106.5 | R/D/H | — | — | — | — | — |
| 1600 x 900/50 | 1600 x 900 | 46.4 | 49.9 | 96.5 | R/D/H | — | — | — | — | — |
| 1600 x 900/60 | 1600 x 900 | 55.9 | 60.0 | 119.0 | R/D/H | ✓ | — | ✓ | ✓ | ✓ |
| 1600 x 1200/50 | 1600 x 1200 | 61.8 | 49.9 | 131.5 | R/D/H | — | — | — | — | — |
| 1600 x 1200/60 | 1600 x 1200 | 75.0 | 60.0 | 162.0 | R/D/H | ✓ | — | ✓ | ✓ | ✓ |
| 1680 x 1050/50 | 1680 x 1050 | 54.1 | 50.0 | 119.5 | R/D/H | — | — | — | — | — |
| 1680 x 1050/60 | 1680 x 1050 | 65.3 | 60.0 | 146.3 | R/D/H | — | — | — | — | — |
| 1920 x 1080/50 | 1920 x 1080 | 55.6 | 49.9 | 141.5 | R/D/H | — | — | — | — | — |
| | 1920 x 1080 | 66.6 | 59.9 | 138.5 | R/D/H | — | — | — | — | — |
| 1920 x 1080/60 | 1920 x 1080*3 | 66.6 | 59.9 | 138.5 | R/D/H | — | — | — | — | — |
| | 1920 x 1080*4 | 67.2 | 60.0 | 173.0 | R | — | — | — | — | — |
| 1920 x 1200/50 | 1920 x 1200 | 61.8 | 49.9 | 158.3 | R/D/H | — | — | — | — | — |
| 1920 x 1200/60 | 1920 x 1200*4 | 74.6 | 59.9 | 193.3 | R | — | — | — | — | — |
| 1920 x 1200/60RB | 1920 x 1200*3 | 74.0 | 60.0 | 154.0 | R/D/H | ✓ | — | ✓ | ✓ | ✓ |

*1 Signals with a ✓ in the Plug and play columns are signals described in EDID (extended display identification data) of the projector. If a signal has no ✓ in the Plug and play columns but has an entry in the Format column, it can be input. For signals without a ✓ in the Plug and play columns, there are instances when resolution cannot be selected on the computer even though the projector supports them.

*2 Only compatible with dot clock frequency of 27 MHz (pixel repetition signal)

*3 Compliant with VESA CVT-RB (Coordinated Video Timing-Reduced Blanking).

*4 Image resolution is reduced by the image processing circuit before projection.

NOTE:

- A signal with a different resolution is converted to the number of display dots. The number of display dots is as follows.
 - 1920 x 1200
- The "i" at the end of the resolution indicates an interlaced signal.
- When interlaced signals are connected, flickering may occur on the projected image.
- DIGITAL LINK input compatible signal is the same as HDMI input compatible signal.

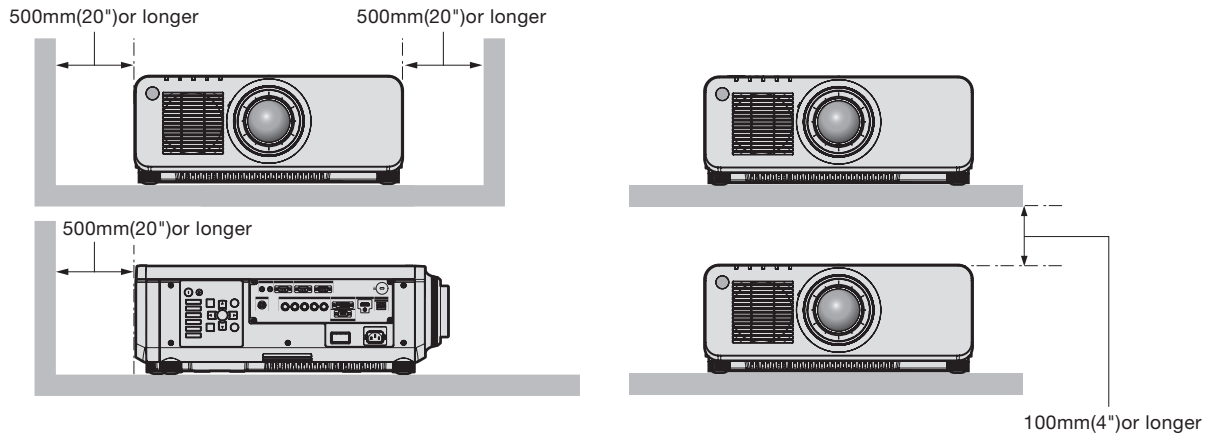
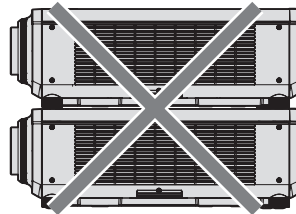
List of SDI compatible signals

The following table specifies the SDI signals that the projector can project.

| Compatible signal | Resolution (Dots) | Scanning freq. | | Dot clock freq. (MHz) | Format | Color space | Sampling |
|-------------------|-------------------|----------------|--------|-----------------------|----------------|-------------|-------------|
| | | H (KHz) | V (Hz) | | | | |
| 480/60i | 720 x 480i | 15.7 | 59.9 | 27.0 | SD-SDI | YCbCr | 4:2:2 10bit |
| 576/50i | 720 x 576i | 15.6 | 50.0 | 27.0 | SD-SDI | YCbCr | 4:2:2 10bit |
| 720/60p | 1280 x 720 | 45.0 | 60.0 | 74.3 | HD-SDI | YPbPr | 4:2:2 10bit |
| 720/50p | 1280 x 720 | 37.5 | 50.0 | 74.3 | HD-SDI | YPbPr | 4:2:2 10bit |
| 1080/60i | 1920 x 1080i | 33.8 | 60.0 | 74.3 | HD-SDI | YPbPr | 4:2:2 10bit |
| | 1920 x 1080i | 33.8 | 60.0 | 74.3 | 3G-SDI Level-A | RGB | 4:4:4 10bit |
| | 1920 x 1080i | 33.8 | 60.0 | 74.3 | 3G-SDI Level-B | RGB | 4:4:4 10bit |
| | 1920 x 1080i | 33.8 | 60.0 | 74.3 | 3G-SDI Level-A | RGB | 4:4:4 12bit |
| | 1920 x 1080i | 33.8 | 60.0 | 74.3 | 3G-SDI Level-B | RGB | 4:4:4 12bit |
| 1080/50i | 1920 x 1080i | 28.1 | 50.0 | 74.3 | HD-SDI | YPbPr | 4:2:2 10bit |
| | 1920 x 1080i | 28.1 | 50.0 | 74.3 | 3G-SDI Level-A | RGB | 4:4:4 10bit |
| | 1920 x 1080i | 28.1 | 50.0 | 74.3 | 3G-SDI Level-B | RGB | 4:4:4 10bit |
| | 1920 x 1080i | 28.1 | 50.0 | 74.3 | 3G-SDI Level-A | RGB | 4:4:4 12bit |
| | 1920 x 1080i | 28.1 | 50.0 | 74.3 | 3G-SDI Level-B | RGB | 4:4:4 12bit |
| 1080/24p | 1920 x 1080 | 27.0 | 24.0 | 74.3 | HD-SDI | YPbPr | 4:2:2 10bit |
| | 1920 x 1080 | 27.0 | 24.0 | 74.3 | 3G-SDI Level-A | RGB | 4:4:4 10bit |
| | 1920 x 1080 | 27.0 | 24.0 | 74.3 | 3G-SDI Level-B | RGB | 4:4:4 10bit |
| | 1920 x 1080 | 27.0 | 24.0 | 74.3 | 3G-SDI Level-A | RGB | 4:4:4 12bit |
| | 1920 x 1080 | 27.0 | 24.0 | 74.3 | 3G-SDI Level-B | RGB | 4:4:4 12bit |
| 1080/24sF | 1920 x 1080i | 27.0 | 48.0 | 74.3 | HD-SDI | YPbPr | 4:2:2 10bit |
| | 1920 x 1080i | 27.0 | 48.0 | 74.3 | 3G-SDI Level-A | RGB | 4:4:4 10bit |
| | 1920 x 1080i | 27.0 | 48.0 | 74.3 | 3G-SDI Level-B | RGB | 4:4:4 10bit |
| | 1920 x 1080i | 27.0 | 48.0 | 74.3 | 3G-SDI Level-A | RGB | 4:4:4 12bit |
| | 1920 x 1080i | 27.0 | 48.0 | 74.3 | 3G-SDI Level-B | RGB | 4:4:4 12bit |
| 1080/25p | 1920 x 1080 | 28.1 | 25.0 | 74.3 | HD-SDI | YPbPr | 4:2:2 10bit |
| | 1920 x 1080 | 28.1 | 25.0 | 74.3 | 3G-SDI Level-A | RGB | 4:4:4 10bit |
| | 1920 x 1080 | 28.1 | 25.0 | 74.3 | 3G-SDI Level-B | RGB | 4:4:4 10bit |
| | 1920 x 1080 | 28.1 | 25.0 | 74.3 | 3G-SDI Level-A | RGB | 4:4:4 12bit |
| | 1920 x 1080 | 28.1 | 25.0 | 74.3 | 3G-SDI Level-B | RGB | 4:4:4 12bit |
| 1080/30p | 1920 x 1080 | 33.8 | 30.0 | 74.3 | HD-SDI | YPbPr | 4:2:2 10bit |
| | 1920 x 1080 | 33.8 | 30.0 | 74.3 | 3G-SDI Level-A | RGB | 4:4:4 10bit |
| | 1920 x 1080 | 33.8 | 30.0 | 74.3 | 3G-SDI Level-B | RGB | 4:4:4 10bit |
| | 1920 x 1080 | 33.8 | 30.0 | 74.3 | 3G-SDI Level-A | RGB | 4:4:4 12bit |
| | 1920 x 1080 | 33.8 | 30.0 | 74.3 | 3G-SDI Level-B | RGB | 4:4:4 12bit |
| 1080/60p | 1920 x 1080 | 67.5 | 60.0 | 148.5 | 3G-SDI Level-A | YPbPr | 4:2:2 10bit |
| | 1920 x 1080 | 67.5 | 60.0 | 148.5 | 3G-SDI Level-B | YPbPr | 4:2:2 10bit |
| 1080/50p | 1920 x 1080 | 56.3 | 50.0 | 148.5 | 3G-SDI Level-A | YPbPr | 4:2:2 10bit |
| | 1920 x 1080 | 56.3 | 50.0 | 148.5 | 3G-SDI Level-B | YPbPr | 4:2:2 10bit |
| 2K/24p | 2048 x 1080 | 27.0 | 24.0 | 74.3 | 3G-SDI Level-A | RGB | 4:4:4 10bit |
| | 2048 x 1080 | 27.0 | 24.0 | 74.3 | 3G-SDI Level-B | RGB | 4:4:4 10bit |
| | 2048 x 1080 | 27.0 | 24.0 | 74.3 | 3G-SDI Level-A | RGB | 4:4:4 12bit |
| | 2048 x 1080 | 27.0 | 24.0 | 74.3 | 3G-SDI Level-B | RGB | 4:4:4 12bit |
| 2K/25p | 2048 x 1080 | 28.1 | 25.0 | 74.3 | 3G-SDI Level-A | RGB | 4:4:4 10bit |
| | 2048 x 1080 | 28.1 | 25.0 | 74.3 | 3G-SDI Level-B | RGB | 4:4:4 10bit |
| | 2048 x 1080 | 28.1 | 25.0 | 74.3 | 3G-SDI Level-A | RGB | 4:4:4 12bit |
| | 2048 x 1080 | 28.1 | 25.0 | 74.3 | 3G-SDI Level-B | RGB | 4:4:4 12bit |
| 2K/30p | 2048 x 1080 | 33.8 | 30.0 | 74.3 | 3G-SDI Level-A | RGB | 4:4:4 10bit |
| | 2048 x 1080 | 33.8 | 30.0 | 74.3 | 3G-SDI Level-B | RGB | 4:4:4 10bit |
| | 2048 x 1080 | 33.8 | 30.0 | 74.3 | 3G-SDI Level-A | RGB | 4:4:4 12bit |
| 2K/48p | 2048 x 1080 | 54.0 | 48.0 | 148.5 | 3G-SDI Level-A | YPbPr | 4:2:2 10bit |
| | 2048 x 1080 | 54.0 | 48.0 | 148.5 | 3G-SDI Level-B | YPbPr | 4:2:2 10bit |
| 2K/50p | 2048 x 1080 | 56.3 | 50.0 | 148.5 | 3G-SDI Level-A | YPbPr | 4:2:2 10bit |
| | 2048 x 1080 | 56.3 | 50.0 | 148.5 | 3G-SDI Level-B | YPbPr | 4:2:2 10bit |
| 2K/60p | 2048 x 1080 | 67.5 | 60.0 | 148.5 | 3G-SDI Level-A | YPbPr | 4:2:2 10bit |
| | 2048 x 1080 | 67.5 | 60.0 | 148.5 | 3G-SDI Level-B | YPbPr | 4:2:2 10bit |

Notes on projector placement and operation

- Prevent hot and cool air from the air conditioning system to blow directly to the ventilation ports (intake and exhaust) of the projector.
- Do not stack projectors on top of each other.
- Do not block the ventilation ports (intake and exhaust) of the projector.



- Do not install the projector in a confined space. When installing the projector in a confined space, provide air conditioning or ventilation separately. Exhaust heat may accumulate when the ventilation is not enough, triggering the protection circuit of the projector.