

Zoom Lens

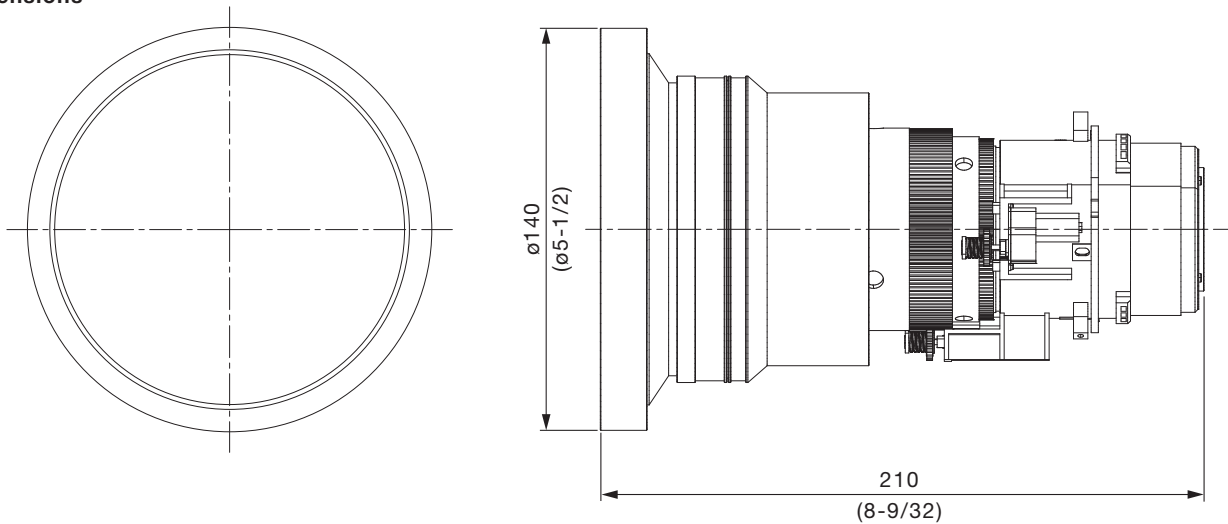
This zoom lens is designed for use with Panasonic’s applicable projectors. The lens makes it possible to vary the projection distance by changing the focal distance.

NOTE: The lens cannot be used by itself. It must be mounted onto the specified Panasonic DLP™ projector.

Specifications

F value:	1.85–2.35
Focal distance (f):	14.7–19.7 mm
Throw ratio	WUXGA 0.978-1.32:1 (16:10 aspect ratio)
	WXGA 1.02-1.39:1 (16:10 aspect ratio)
	XGA 1.01-1.37:1 (4:3 aspect ratio)
Dimensions (W × H × D):	140 × 140 × 210 mm (5-1/2 × 5-1/2 × 8-9/32 inches)
Weight:	Approx. 1.2 kg (2.6 lbs)
Applicable projector:	Group A PT-DZ870/DZ870L/DW830/DW830L/DX100/DX100L
	Group B PT-RCQ10/RCQ10L/RCQ80/RCQ80L/RZ990/RZ990L/RZ890/RZ890L/RZ790/RZ790L/RZ690/RZ690L/RZ120/RZ120L/RZ970/RZ970L/RW930/RW930L/RX110/RX110L/RZ870/RZ870L/RZ770/RZ770L/RW730/RW730L/RZ670/RZ670L/RZ660/RZ660L/RW630/RW630L/RW620/RW620L
	Group C PT-DZ780/DZ780L/DW750/DW750L/DX820/DX820L
	Group D PT-RQ7/RQ6/RZ7/RZ6 *For Group D projectors see the individual spec les of the projectors.

Dimensions

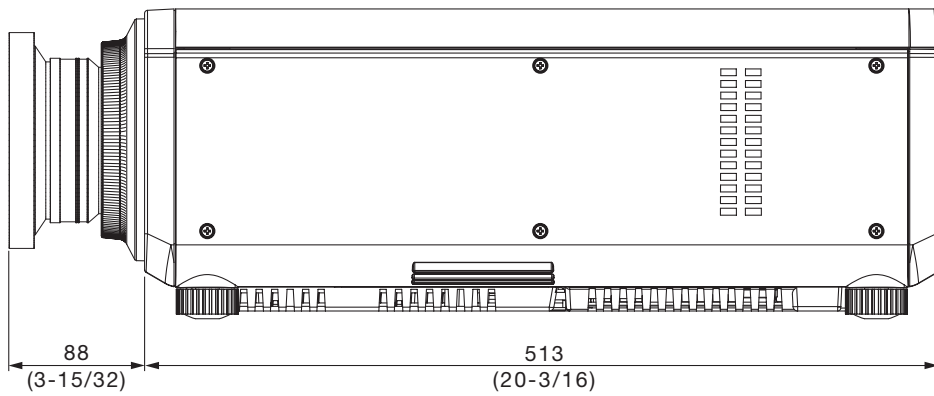


unit : mm (inch)

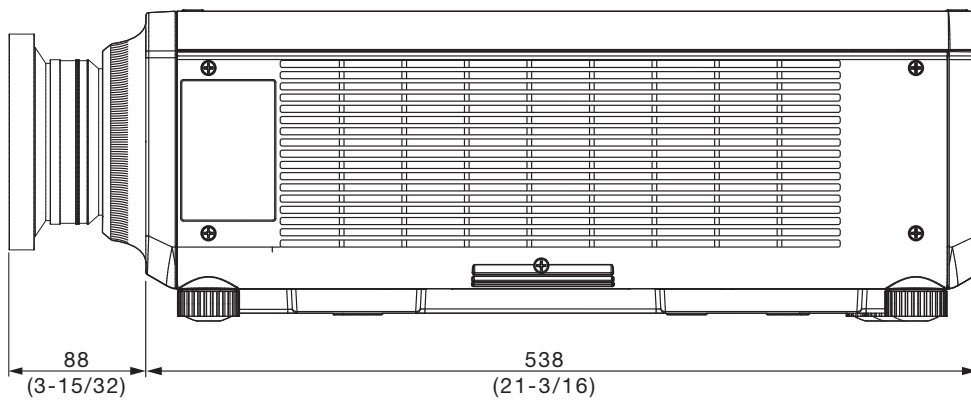
NOTE: This illustration is not drawn to scale.

Illustration shows the lens attached to an applicable projector.

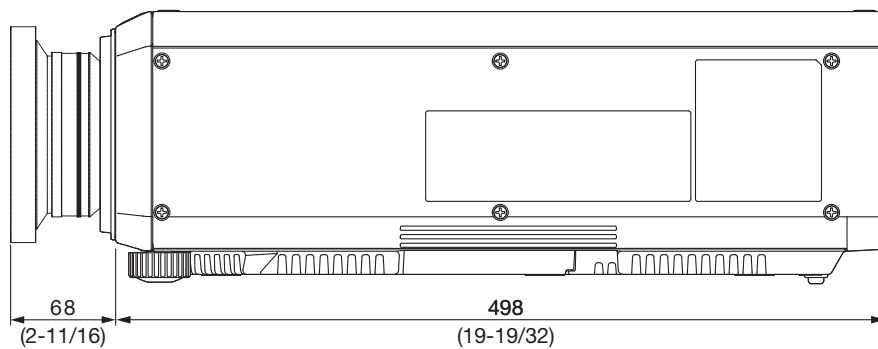
[Group A]



[Group B]



[Group C]



unit : mm (inch)

NOTE: This illustration is not drawn to scale.

For information on the projection distance, refer to the specifications for the projector to which the lens will be mounted.
 DLP is a trademark of Texas Instruments. Weights and dimensions shown are approximate. Specifications subject to change without notice.