

## Specifications

Specifications and appearance are subject to change without notice.

Vertical tilt range	+5° (upward), -17° (downward)
Horizontal tilt range	±2.5°
Panning range	±1°
External dimensions	Width 350 mm [13 25/32 in] Height 106 mm [4 11/64 in] Length 535 mm [21 1/16 in]
Weight	Approx.6.7 kg (14.1 lbs) <sup>1</sup>
Compatible projectors	GroupA: PT-RQ25K/PT-RQ18K/PT-RZ24K/PT-RZ17K GroupB: PT-RQ22K/PT-RZ21K/PT-RS20K/PT-RZ16K GroupC: PT-RQ13K/PT-RZ12K/PT-RS11K

<sup>1</sup> Average value. May differ depending on the actual unit.

### <Structural components>ET-PKD520S

- Attachment plate ..... 1
- Angle adjusting bracket ..... 1
- Hex head bolt, captive washer (M6 x 16) ..... 6
- Hex head bolt, captive washer (M8 x 20) ..... 4

### <Structural components>ET-PKD521B

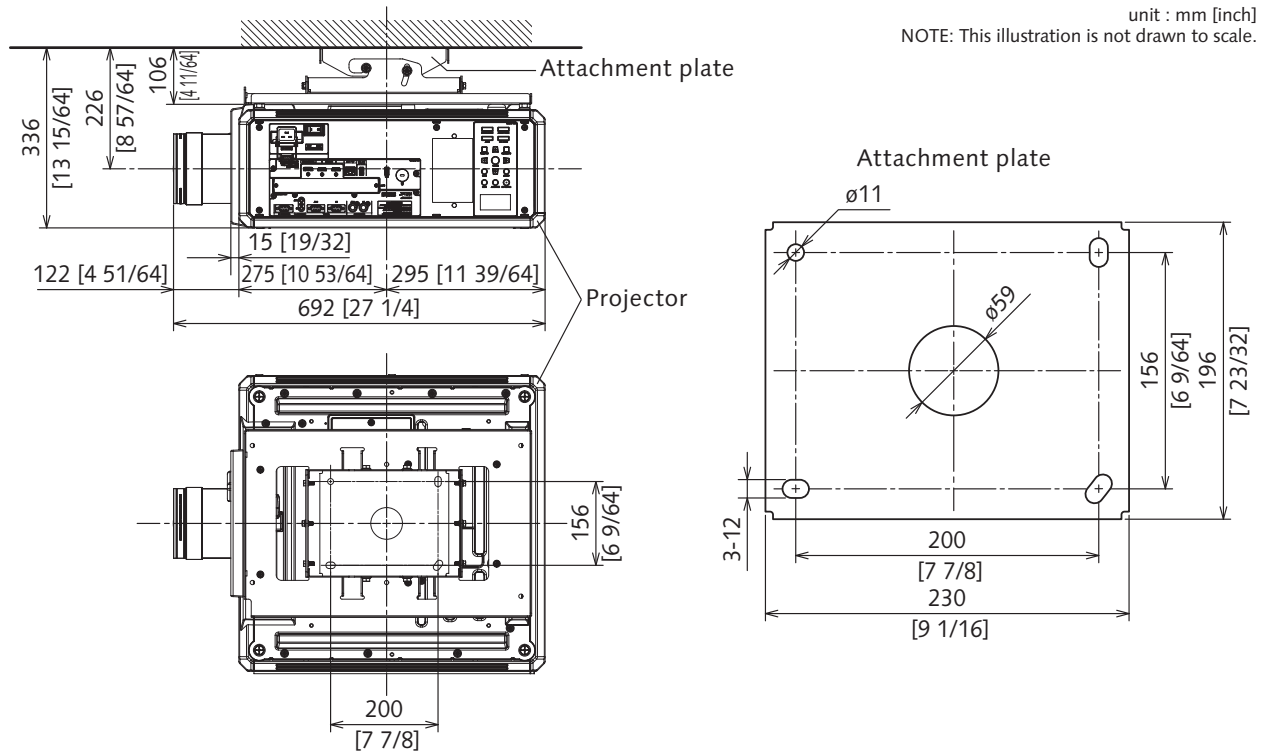
- Projector Mount Bracket ..... 1
- Hex head bolt, captive washer (M6 x 16) ..... 6
- Hex head bolt, captive washer (M10 x 40) ..... 4
- Wire rope ..... 4

### Caution

- Installation work should only be carried out by the certified personnel.
- Do not install in a location that is not strong enough.
- Read the "Installation Instructions" thoroughly and then perform the operation correctly and safely.
- When tightening up the screws, use a tool such as a torque screwdriver or torque wrench.  
Do not use electric screwdrivers or impact screwdrivers.
- If products are no longer being used, they should be dismantled and removed by the certified personnel as soon as possible.

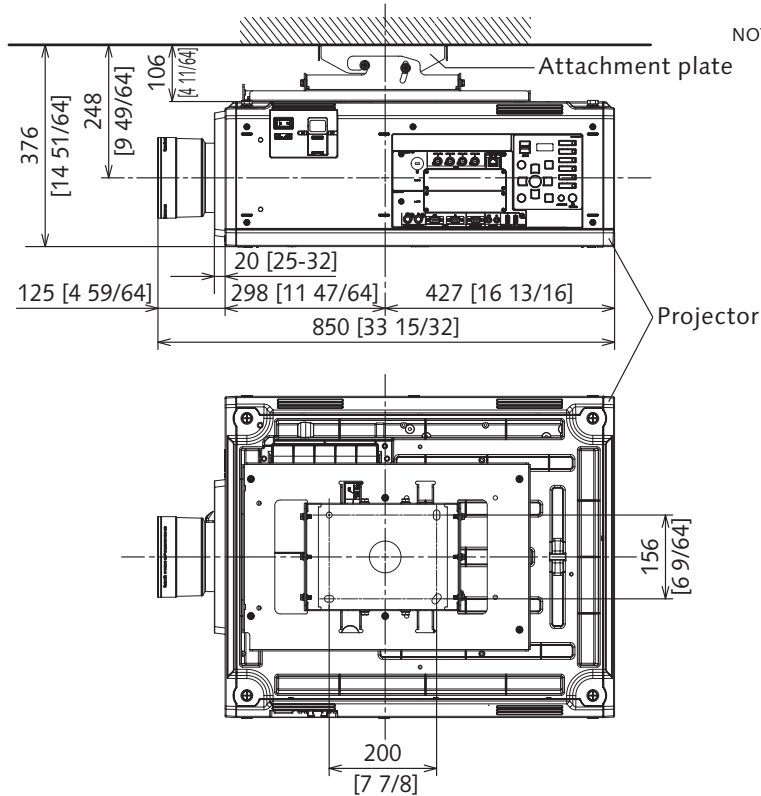
## Dimensional relationship diagram

The illustration shows the ET-PKD520H ceiling mount bracket mounted on Group A projectors (PT-RQ25K/PT-RQ18K/PT-RZ24K/PT-RZ17K).



# ET-PKD520S/ET-PKD521B

The illustration shows the ET-PKD520H ceiling mount bracket mounted on Group B projectors (PT-RQ22K/PT-RZ21K/PT-RS20K/PT-RZ16K)



The illustration shows the ET-PKD520H ceiling mount bracket mounted on Group C projectors (PT-RQ13K/PT-RZ12K/PT-RS11K)

