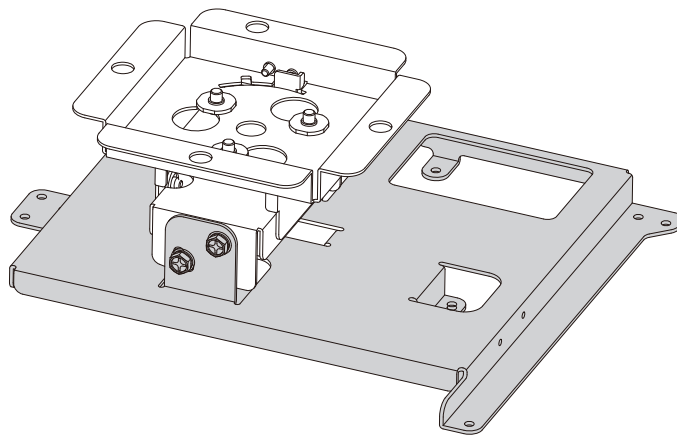


## Installation Instructions

### Projector Mount Bracket

Model No. **ET-PKV400B**



\* The figure above shows a combination of this product and the separately sold ceiling mount bracket (for low ceilings) ET-PKL100S.

Thank you for purchasing this Panasonic Product.

■ To customers

The "Installation Instructions" is intended for use by installation personnel. Be sure to employ certified personnel to perform the installation. After installation, have the installation personnel return these "Installation Instructions" to you, and save it for future use. When moving or removing the projector, give this "Installation Instructions" to the installation personnel and have them perform the procedure.

■ To installation personnel

Carefully read the "Installation Instructions" and install this product correctly and safely. Be sure to read through the section entitled "Read this first!" (page 3) before proceeding with the installation. After installation, return these "Installation Instructions" to the customer.



# Contents

<b>Read this first!</b> .....	<b>3</b>
<b>Product description</b> .....	<b>4</b>
<b>Installation position</b> .....	<b>5</b>
<b>Installation</b> .....	<b>7</b>
Setting up the screen.....	7
Screws tightening torques .....	7
Attaching the projector drop-prevention kit.....	7
Installing the bracket to the projector.....	9
<b>Specifications</b> .....	<b>11</b>
<b>Dimensional relationship</b> .....	<b>Appendix</b>

## WARNING:

**Installation work should only be carried out by the certified personnel.**

- If this product is not installed correctly, serious accidents may result.
- Follow the instructions specified in "Installation" of this manual, and perform secure installation.

**Install the ceiling mount bracket in accordance with the structure and materials of the installation location.**

- If a mistake is made in the installation procedure, the ceiling mount bracket may fall down and an injury may result.

**Mounting and installation must be carried out by two or more persons.**

- When installing the projector in an overhead location, for example, in a high ceiling, at least two persons will be required to handle the installation.

**Make sure that your footing is safe and secure during installation.**

- If your footing is not secure, you may fall down or drop the unit, and an injury may result.

**Do not loosen or remove the ceiling mount bracket screws or bolts unnecessarily.**

- The projector may fall down and an injury may result.

**Do not install in a location that is not strong enough.**

- If the installation location is not strong enough, the unit may fall down and damage to the projector or an injury may result.

**Do not install the ceiling mount bracket in humid or dusty locations or in locations where the ceiling mount bracket may come into contact with oily smoke or steam.**

- Using the projector under such conditions may result in fire or electric shock. Also, the oil will cause the plastic to deteriorate and the projector may fall down when installed on a ceiling.

**Do not allow children to reach the supplied screws and flat washer.**

- The supplied screws and metal fittings can cause personal injury if swallowed.
- If swallowed, seek medical advice immediately.

**Do not disassemble or modify the ceiling mount bracket.**

- The projector may be damaged or fall, causing injury.

## CAUTION:

**Only install a designated projector.**

**Only install using a designated method.**

- The projector may fall down and be damaged, and an injury may result.

**Do not install the unit in a location that may impede projector ventilation.**

- A fire may result.

**Do not hang from or hang objects on the projector or ceiling mount bracket.**

- The projector may fall and cause injury.

**When installing, always use the supplied components.**

- The unit may be damaged, or the projector may fall down and an injury may result.

**Install the mounting screws and power cable in such a way that they will not make contact with metal objects inside the ceiling.**

- Electric shocks may result from contact with any metal objects inside the ceiling.

■ Panasonic Connect Co., Ltd. takes no responsibility for any accident or damage caused by the installation of the ceiling mount bracket using methods that are not described or methods that do not use the parts specified in these Installation Instructions.

■ If products are no longer being used, they should be dismantled and removed by certified personnel as soon as possible.

# Product description

This is a projector mount bracket for installing projectors.

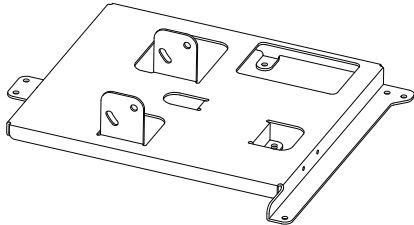




## ■ Applicable ceiling mount brackets

ET-PKL100S (for low ceilings) / ET-PKL100H (for high ceilings)

### Note

- In this document, the alphabet letters at the end of the projector part numbers are omitted.

## ■ Structural components

Parts name	Form (number of parts)	Applications
Projector mount bracket	 × 1	This is used to install the projector itself. It has a function which allows adjustment of the left and right tilt.
Screws	Screw, captive washer (M4×10)  × 4	These are used to secure the brackets to the projector.
Projector drop-prevention kit	Screw, captive washer (M4×12)  × 1 Wire rope [2.0 mm (3/32") wire diameter, 600 mm (23-5/8") length]  × 1 Flat washer  × 1	Prevents the projector from falling.

- Store small parts in an appropriate manner, and keep them away from children.
- Tightening torque for the screw is M4:  $1.25 \pm 0.2$  N·m.
- When tightening up the screws, use a tool such as a torque screwdriver. Do not use electric screwdrivers or impact screwdrivers.

### Attention

- Dispose of the packaging materials properly after taking the product out of it.

### Note

- The projector models listed below require three of the four supplied captive washer screws (M4 × 10) for installation.  
Model: PT-VW355N, PT-VW350, PT-VX425N, PT-VX420, PT-VX421; PT-VW360, PT-VX430, PT-VX431K

# Installation position

The dimensional relationship between the screen and projector is shown below.

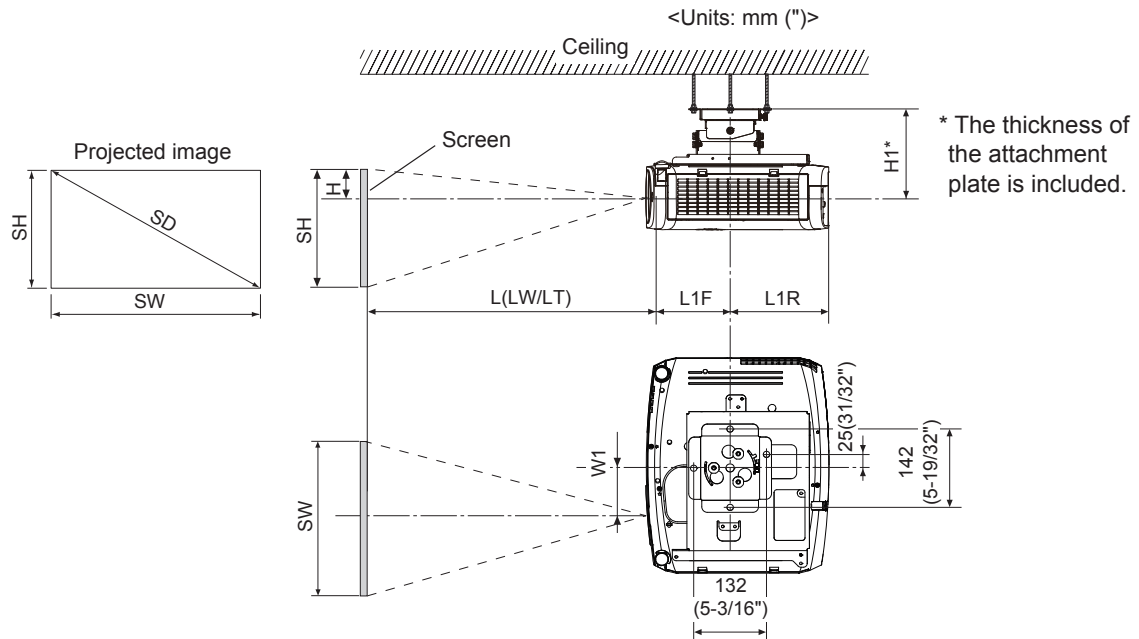
Establish the ceiling installation position after accessing the dimensional relationship diagram and the Dimensional relationship.

The projection distance can be adjusted using the zoom lens. Check the projection screen while making fine adjustments.

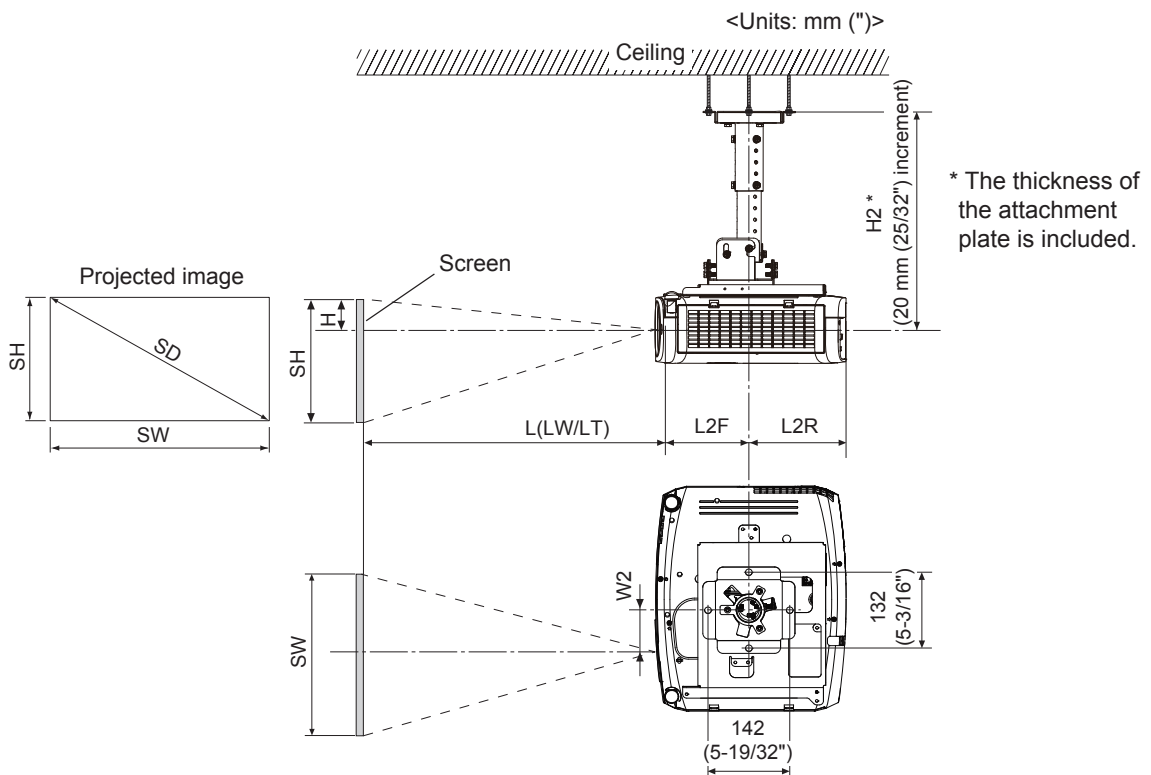
The projection vertical position can be adjusted by vertical lens shift function of the projector with the lens shift function. Then "H" will change according to lens shift amount.

## ■ Dimensional relationship diagram

(When using the ceiling mount bracket ET-PKL100S (for low ceilings))



(When using the ceiling mount bracket ET-PKL100H (for high ceilings))



## Installation position (continued)

### Note

- This illustration assumes that the projector will be installed so that the projected image fills the screen and properly aligned with it.
- This drawing is not in exact scale.

SH	Height of the projection area	H	Distance from the center of lens to the image upper end
SW	Width of the projection area	H1 / H2	Distance from the center of lens to the attachment plate (including plate thickness)
SD	Diagonal length of the projection area	L1F / L2F	Distance from the center of attachment plate to the front end of lens
L(LW/LT)*1	Projection distance	L1R / L2R	Distance from the center of attachment plate to the rear end of projector
		W1 / W2	Distance from the center of attachment plate to the center of lens

\*1: LW : Minimum distance; LT : Maximum distance

### Note

- Depending on the product, the appearance may differ from the illustrations in these installation instructions.

### Attention

- Install the projector at least 500 mm (19-11/16") on the air intake ports (1,000 mm (39-3/8") on the exhaust port side) away from the surrounding walls or objects in order to ensure that the air intake/exhaust ports of the projector will not be blocked.
- Avoid setting up in places which are subject to sudden temperature changes, such as near an air conditioner or lighting equipment (studio lamps, etc.).

### ■ Dimensional relationship

For the formula of the projection distance (L) and the other specifications (H, H1 / H2, L1F/L2F, L1R / L2R, W1 / W2), refer to the appendix at the end of this instruction.

# Installation

After checking the height, width and structure of the installation location while referring to the “Dimensional relationship diagram” (pages 5-6) and “Dimensional relationship” in the Appendix, determine the appropriate positions for setting up the screen and installing the projector.

## Setting up the screen

Set up the screen according to the specified method in a position which takes into account the projection distance and angle and the type of screen being used.

## Screws tightening torques

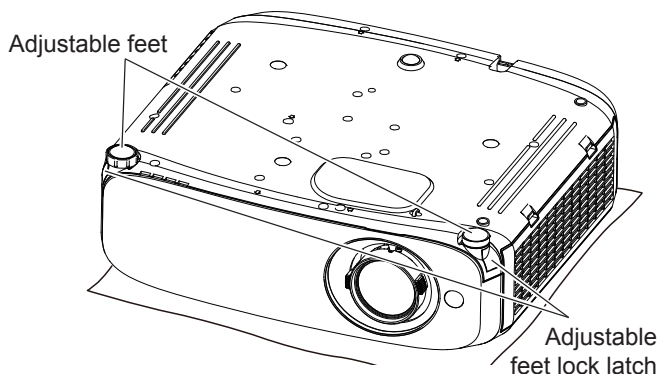
M4.....1.25 ± 0.2 N • m

- When tightening the screws, use a torque screwdriver or a hexagonal torque wrench to tighten the screws to the specified tightening torques. Do not use electric screwdrivers or impact screwdrivers.

## Attaching the projector drop-prevention kit

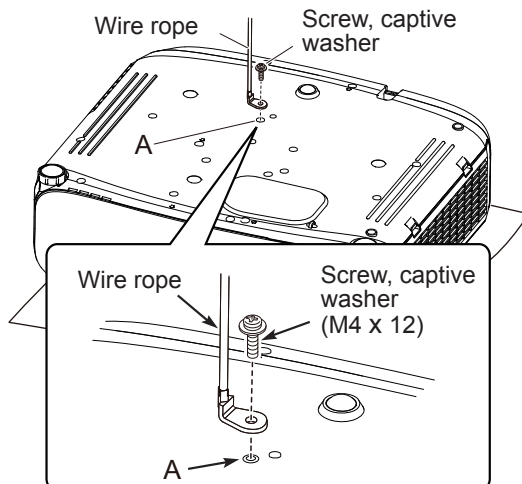
Install the wire rope to the projector (sold separately).

<For PT-VZ585N, PT-VZ575N, PT-VZ580, PT-VZ570, PT-VW545N, PT-VW535N, PT-VW540, PT-VW530, PT-VX615N, PT-VX605N, PT-VX610, PT-VX600, PT-VX61K, PT-VX60, PT-VX51K, PT-VX50, PT-VMZ60, PT-VMZ50, PT-VMZ40, PT-VMW60, PT-VMW50, PT-VMZ601K, PT-VMZ501K, PT-VMZ401K, PT-VMW601K, PT-VMW501K, PT-VGZ601K, PT-VMZ71, PT-VMZ61, PT-VMZ51, PT-VMZ51S, PT-VMZ41, PT-VMW61, PT-VMW51, PT-VGZ700, PT-VGZ650, PT-VGZ550, PT-VGZ550S, PT-VGW650, PT-VGW550>



The illustration is an example when it is attached to PT-VZ585N.

- 1 Place the projector upside down on top of a soft cloth.
- 2 Retract the adjustable feet.
  - Press the adjustable feet lock latch and release them at shortest length of the adjustable feet. Or rotate the adjustable feet in clockwise to retract them.



- 3 As illustrated on the left, secure the one end (round crimping terminal) of the supplied wire rope to the A on the projector by using the supplied captive washer screw (M4 x 12).

### Attention

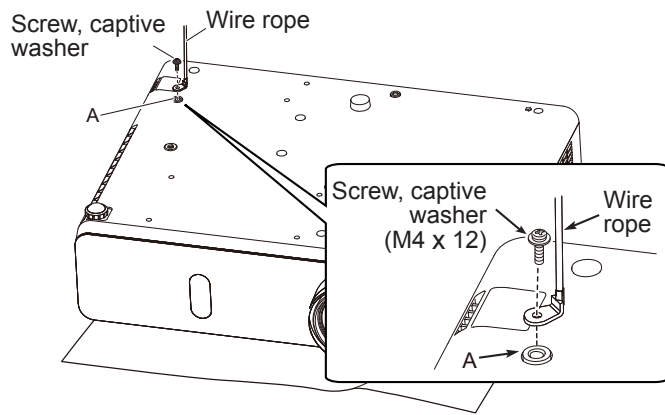
- Be sure to use the supplied wire rope.

### Note

- Use the supplied flat washer while installing the wire rope to the ceiling.
- The position of A may vary with the model. Check the position and number of the screw hole in “Ceiling mount hole size” indicated on the bottom of the projector, try placing the bracket on the projector bottom, and use the screw hole unoccupied.

## Installation (continued)

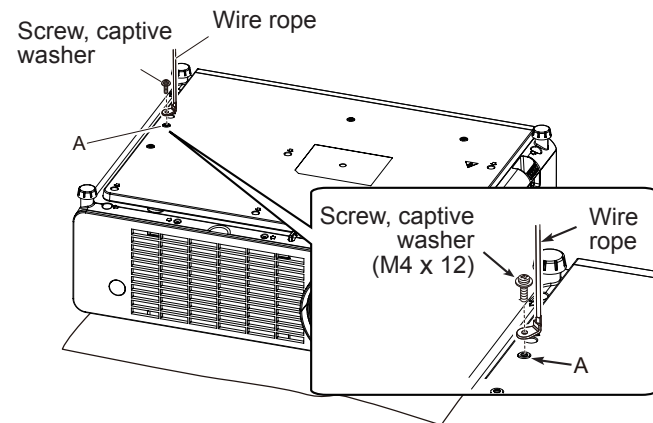
<For PT-VW355N, PT-VW350, PT-VX425N, PT-VX420, PT-VX421; PT-VW360, PT-VX430, PT-VX431K>



### Note

- For the position of A of the PT-VW355N, PT-VW350, PT-VX425N, PT-VX420, PT-VX421; PT-VW360, PT-VX430, PT-VX431K models, refer to the image on the left.

<For PT-LRZ35, PT-LRZ35U, PT-LRW35, PT-LRW35U>



### Note

- For the position of A of the PT-LRZ35, PT-LRZ35U, PT-LRW35, PT-LRW35U models, refer to the image on the left.

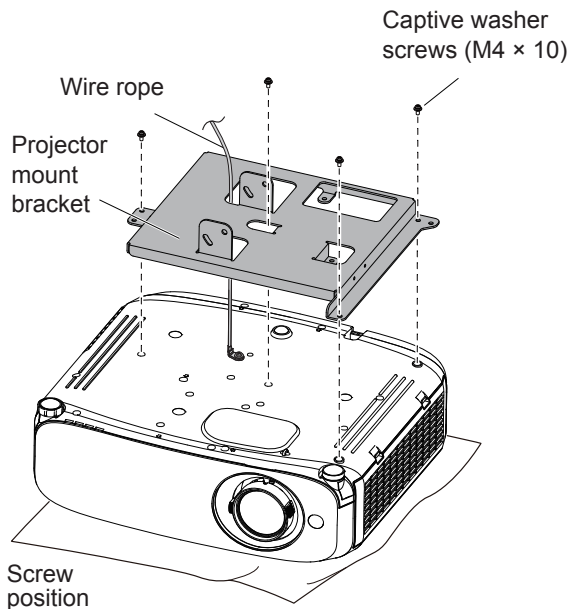


## Installation (continued)

### Installing the bracket to the projector

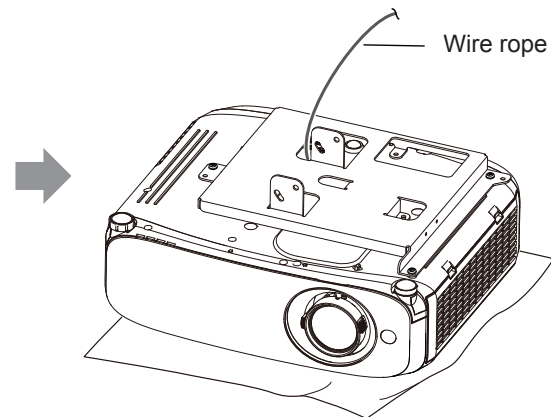
Install the bracket to the projector (sold separately) by following the procedure below.

<For PT-VZ585N, PT-VZ575N, PT-VZ580, PT-VZ570, PT-VW545N, PT-VW535N, PT-VW540, PT-VW530, PT-VX615N, PT-VX605N, PT-VX610, PT-VX600, PT-VX61K, PT-VX60, PT-VX51K, PT-VX50, PT-VMZ60, PT-VMZ50, PT-VMZ40, PT-VMW60, PT-VMW50, PT-VMZ601K, PT-VMZ501K, PT-VMZ401K, PT-VMW601K, PT-VMW501K, PT-VGZ601K, PT-VMZ71, PT-VMZ61, PT-VMZ51, PT-VMZ51S, PT-VMZ41, PT-VMW61, PT-VMW51, PT-VGZ700, PT-VGZ650, PT-VGZ550, PT-VGZ550S, PT-VGW650, PT-VGW550>

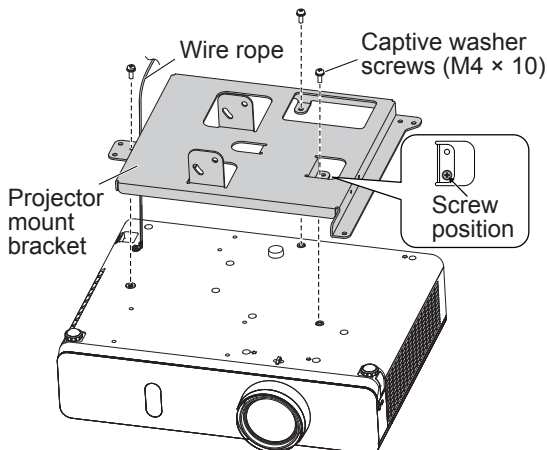


The illustration is an example when it is attached to PT-VZ585N.

- 1 Pass the wire rope through the hole of the projector mount bracket as illustrated on the left.
- 2 Secure the projector mount bracket to the bottom of the projector using the 4 supplied captive washer screws (M4 x 10) as illustrated on the left.



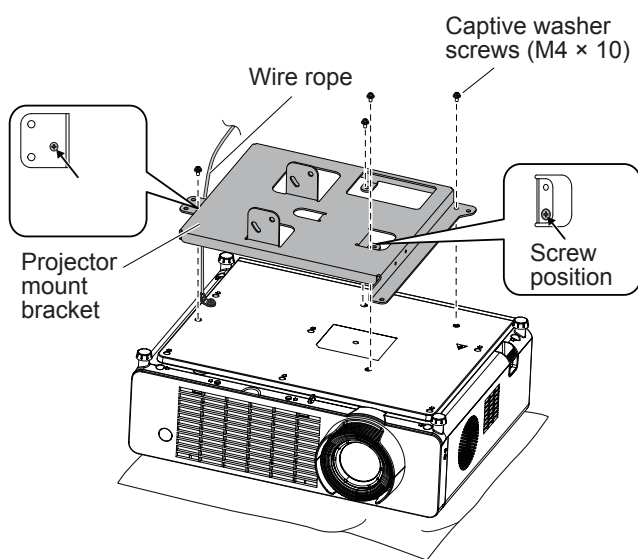
<For PT-VW355N, PT-VW350, PT-VX425N, PT-VX420, PT-VX421; PT-VW360, PT-VX430, PT-VX431K>



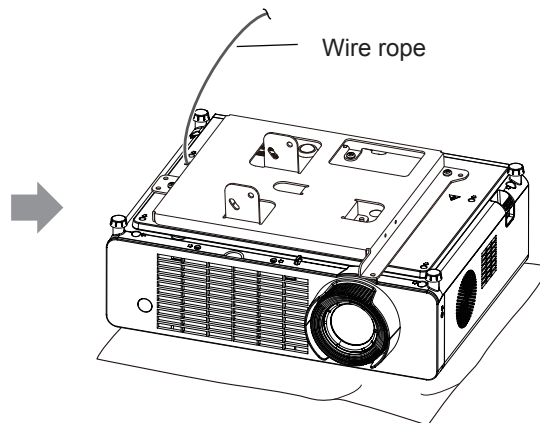
- 1 Secure the projector mount bracket to the bottom of the projector using three supplied captive washer screws (M4 x 10) as illustrated on the left.
  - Use three of the four captive washer screws supplied with this product.

## Installation (continued)

<For PT-LRZ35, PT-LRZ35U, PT-LRW35, PT-LRW35U>



- 1 Pass the wire rope through the hole of the projector mount bracket as illustrated on the left.
- 2 Secure the projector mount bracket to the bottom of the projector using the 4 supplied captive washer screws (M4 × 10) as illustrated on the left.



### Attention

- For information on how to join this product to the ceiling mount bracket (for low ceilings) (separately sold) or the ceiling mount bracket (for high ceilings) (separately sold) and how to attach the wire rope in the ceiling, refer to the installation instructions or other instructions supplied with the ceiling mount bracket (for low ceilings) or the ceiling mount bracket (for high ceilings).

# Specifications

<b>Range of adjustment</b>	<b>Horizontal tilt correction angle<sup>*1</sup></b>	<b>± 10°</b>
<b>External dimensions</b>		<b>Width: 312.5 mm (12-7/32") Height: 62.0 mm (2-7/16") Depth: 248.5 mm (9-25/32")</b>
<b>Weight</b>		<b>Approx. 0.96 kg (2.12 lbs)</b>

\*1 When using the ceiling mount bracket ET-PKL100S (for low ceilings) or the ceiling mount bracket ET-PKL100H (for high ceilings).

---

# Panasonic Connect Co., Ltd.

Website: <https://panasonic.net/cns/projector/>  
© Panasonic Connect Co., Ltd. 2022

SS0714NL5042 -PT

# Appendix / Annexe / Anhang

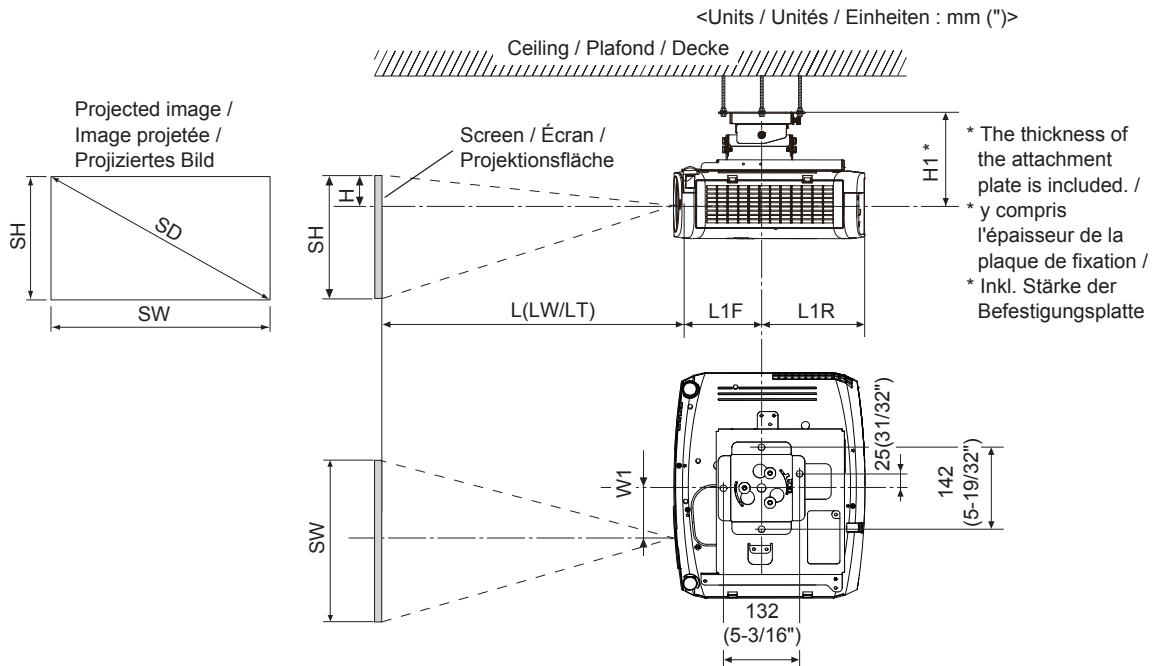
- Dimensional relationship
- Relations dimensionnelles
- Verhältnis der Abmessungen

The dimensional relationship between the screen and projection is shown below.

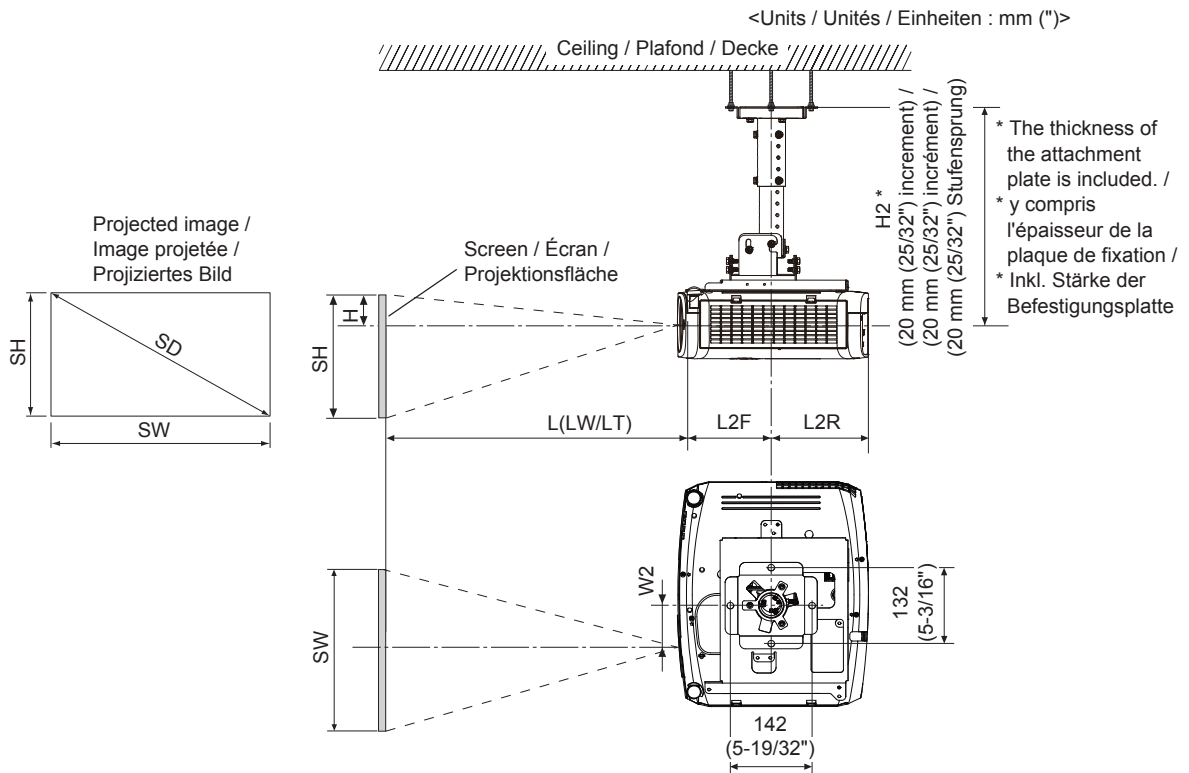
Le rapport dimensionnel entre l'écran et la projection est montré comme suit.

Das maßstäbliche Verhältnis zwischen der Projektionsfläche und der Projektion wird unten aufgeführt.

## <ET-PKL100S>



## <ET-PKL100H>



SH	Height of the projection area / Hauteur de la zone de projection / Höhe des Projektionsbereichs
SW	Width of the projection area / Largeur de la zone de projection / Breite des Projektionsbereichs
SD	Diagonal length of the projection area / Longueur diagonale de la zone de projection / Länge der Diagonalen des Projektionsbereichs
L(LW/LT)*1	Projection distance / Distance de projection / Projektionsabstand
H	Distance from the center of lens to the image upper end / La distance du centre de l'objectif à l'extrémité supérieure de l'image / Entfernung von der Mitte des Objektivs zum oberen Bildende
H1 / H2	Distance from the center of lens to the attachment plate (including plate thickness) / La distance du centre de l'objectif à la plaque de fixation (y compris l'épaisseur de la plaque) / Abstand von der Mitte des Objektivs zur Befestigungsplatte (einschließlich Plattenstärke)
L1F / L2F	Distance from the center of attachment plate to the front end of lens / La distance du centre de la plaque de fixation à l'extrémité avant de l'objectif / Abstand von der Mitte der Befestigungsplatte bis zum vorderen Ende des Objektivs
L1R / L2R	Distance from the center of attachment plate to the rear end of projector / La distance du centre de la plaque de fixation à l'extrémité arrière du projecteur / Abstand von der Mitte der Befestigungsplatte bis zum hinteren Ende des Projektors
W1 / W2	Distance from the center of attachment plate to the center of lens / La distance du centre de la plaque de fixation au centre de l'objectif / Abstand von der Mitte der Befestigungsplatte bis zur Mitte des Objektivs

\*1: LW : Minimum distance / Distance minimale / Minimalentfernung

LT : Maximum distance / Distance maximale / Maximalentfernung

● **Values of H1/H2, L1F/L2F, L1R/L2R and W1/W2**

● **Valeurs H1/H2, L1F/L2F, L1R/L2R et W1/W2**

● **Werte H1/H2, L1F/L2F, L1R/L2R und W1/W2**

- **PT-VZ585N / PT-VZ575N / PT-VZ580 / PT-VZ570 / PT-VW545N / PT-VW535N / PT-VW540 / PT-VW530 / PT-VX615N / PT-VX605N / PT-VX610 / PT-VX600 / PT-VX61K / PT-VX60 / PT-VX51K / PT-VX50**

Ceiling Mount Bracket / Support de montage au plafond / Aufhängevorrichtung		(Units / Unités / Einheiten : mm)							
ET-PKL100S	H1	167	L1F	145	L1R	179	W1	89.5	
ET-PKL100H	H2	384 - 464	L2F	155.5	L2R	168.5	W2	80	

- **PT-VMZ60 / PT-VMZ50 / PT-VMZ40 / PT-VMW60 / PT-VMW50 / PT-VMZ601K / PT-VMZ501K / PT-VMZ401K / PT-VMW601K / PT-VMW501K / PT-VGZ601K / PT-VMZ71 / PT-VMZ61 / PT-VMZ51 / PT-VMZ51S / PT-VMZ41 / PT-VMW61 / PT-VMW51 / PT-VGZ700 / PT-VGZ650 / PT-VGZ550 / PT-VGZ550S / PT-VGW650 / PT-VGW550**

Ceiling Mount Bracket / Support de montage au plafond / Aufhängevorrichtung		(Units / Unités / Einheiten : mm)							
ET-PKL100S	H1	177	L1F	146	L1R	201	W1	90	
ET-PKL100H	H2	395 - 475	L2F	157	L2R	190	W2	80	

- **PT-VW355N / PT-VW350 / PT-VX425N / PT-VX420 / PT-VX421/ PT-VW360 / PT-VX430 / PT-VX431K**

Ceiling Mount Bracket / Support de montage au plafond / Aufhängevorrichtung		(Units / Unités / Einheiten : mm)							
ET-PKL100S	H1	153	L1F	138	L1R	141.5	W1	86.5	
ET-PKL100H	H2	371.5 - 451.5	L2F	149	L2R	130.5	W2	77	

- **PT-LRZ35 / PT-LRZ35U / PT-LRW35 / PT-LRW35U**

Ceiling Mount Bracket / Support de montage au plafond / Aufhängevorrichtung		(Units / Unités / Einheiten : mm)							
ET-PKL100S	H1	161	L1F	139	L1R	175	W1	143	
ET-PKL100H	H2	379 - 459	L2F	149	L2R	165	W2	133	

- Projected image size and Projection distance
- Taille de l'image projetée et Distance de projection
- Projektions-bildgröße und Projektionsabstand

The dimensions of the following table contain a slight error.

Periods are used to represent decimal points in the calculation formulas in the following table.

Les dimensions du tableau suivant peuvent présenter un léger écart.

Les points sont utilisés pour indiquer les décimales dans les formules de calcul dans le tableau suivant.

Die Abmessungen der folgenden Tabelle enthalten einen geringfügigen Fehler.

Um Dezimalstellen in den Berechnungsformeln in der folgenden Tabelle darzustellen, werden Punkte verwendet.

- PT-VZ585N / PT-VZ575N / PT-VZ580 / PT-VZ570 / PT-VMZ60 / PT-VMZ50 / PT-VMZ40 / PT-VMW60 / PT-VMW50 / PT-VMZ601K / PT-VMZ501K / PT-VMZ401K / PT-VMW601K / PT-VMW501K / PT-VGZ601K

(Units / Unités / Einheiten : m)

Projected image size (For 16:10 aspect ratio) / Taille de l'image projetée (Pour le rapport d'aspect 16:10) / Projektions-bildgröße (Für das Bildformat 16:10)			L		H
SD	SH	SW	LW	LT	
0.76 (30 ")	0.404	0.646	0.68	1.12	0.022 ~ 0.201
1.02 (40 ")	0.538	0.862	0.93	1.51	0.030 ~ 0.270
1.27 (50 ")	0.673	1.077	1.16	1.89	0.037 ~ 0.337
1.52 (60 ")	0.808	1.292	1.39	2.26	0.045 ~ 0.403
1.78 (70 ")	0.942	1.506	1.64	2.66	0.052 ~ 0.472
2.03 (80 ")	1.077	1.723	1.87	3.03	0.060 ~ 0.538
2.29 (90 ")	1.212	1.939	2.12	3.42	0.067 ~ 0.607
2.54 (100 ")	1.346	2.154	2.35	3.80	0.075 ~ 0.673
3.05 (120 ")	1.615	2.585	2.83	4.57	0.090 ~ 0.808
3.81 (150 ")	2.019	3.231	3.54	5.72	0.112 ~ 1.010
5.08 (200 ")	2.692	4.308	4.73	7.64	0.150 ~ 1.346
6.35 (250 ")	3.365	5.385	5.92	9.56	0.187 ~ 1.683
7.62 (300 ")	4.039	6.462	7.11	11.48	0.224 ~ 2.019

- PT-VMZ71 / PT-VMZ61 / PT-VMZ51 / PT-VMZ51S / PT-VMZ41 / PT-VMW61 / PT-VMW51 / PT-VGZ700 / PT-VGZ650 / PT-VGZ550 / PT-VGZ550S / PT-VGW650 / PT-VGW550

(Units / Unités / Einheiten : m)

Projected image size (For 16:10 aspect ratio) / Taille de l'image projetée (Pour le rapport d'aspect 16:10) / Projektions-bildgröße (Für das Bildformat 16:10)			Optical zoom / Zoom optique / Optischer Zoom		Digital Zoom Extender*1/ Extenseur Zoom Numérique*1/ Digitalzoom-Extender*1	H <sup>2</sup>
SD	SH	SW	LW	LT	LT	
0.76 (30 ")	0.404	0.646	0.68	1.12	1.40	0.022 ~ 0.201
1.02 (40 ")	0.538	0.862	0.93	1.51	1.89	0.030 ~ 0.270
1.27 (50 ")	0.673	1.077	1.16	1.89	2.37	0.037 ~ 0.337
1.52 (60 ")	0.808	1.292	1.39	2.26	2.84	0.045 ~ 0.403
1.78 (70 ")	0.942	1.506	1.64	2.66	3.33	0.052 ~ 0.472
2.03 (80 ")	1.077	1.723	1.87	3.03	3.80	0.060 ~ 0.538
2.29 (90 ")	1.212	1.939	2.12	3.42	4.29	0.067 ~ 0.607
2.54 (100 ")	1.346	2.154	2.35	3.80	4.76	0.075 ~ 0.673
3.05 (120 ")	1.615	2.585	2.83	4.57	5.73	0.090 ~ 0.808
3.81 (150 ")	2.019	3.231	3.54	5.72	7.16	0.112 ~ 1.010
5.08 (200 ")	2.692	4.308	4.73	7.64	9.56	0.150 ~ 1.346
6.35 (250 ")	3.365	5.385	5.92	9.56	11.96	0.187 ~ 1.683
7.62 (300 ")	4.039	6.462	7.11	11.48	14.35	0.224 ~ 2.019

\*1 When optical zoom and Digital Zoom Extender are used together and [DIGITAL ZOOM EXTENDER] is set to [80%].  
Lorsque le zoom optique et l'extenseur zoom numérique sont utilisés ensemble et que [EXTENSEUR ZOOM NUMÉRIQUE] est réglé sur [80%].  
Wenn der optische Zoom und der Digitalzoom-Extender zusammen verwendet werden und [DIGITALZOOM-EXTENDER] auf [80%] eingestellt ist.

\*2 Only for optical zoom  
Uniquement pour le zoom optique  
Nur für optischen Zoom

● PT-VW545N / PT-VW535N / PT-VW540 / PT-VW530

(Units / Unités / Einheiten : m)

Projected image size (For 16:10 aspect ratio) / Taille de l'image projetée (Pour le rapport d'aspect 16:10) / Projektions-bildgröße (Für das Bildformat 16:10)			L		H
SD	SH	SW	LW	LT	
0.76 (30 ")	0.404	0.646	0.73	1.21	0.008 ~ 0.201
1.02 (40 ")	0.538	0.862	0.99	1.63	0.011 ~ 0.270
1.27 (50 ")	0.673	1.077	1.25	2.04	0.013 ~ 0.337
1.52 (60 ")	0.808	1.292	1.50	2.44	0.016 ~ 0.403
1.78 (70 ")	0.942	1.506	1.76	2.87	0.019 ~ 0.472
2.03 (80 ")	1.077	1.723	2.01	3.27	0.022 ~ 0.538
2.29 (90 ")	1.212	1.939	2.27	3.70	0.024 ~ 0.607
2.54 (100 ")	1.346	2.154	2.52	4.10	0.027 ~ 0.673
3.05 (120 ")	1.615	2.585	3.03	4.93	0.032 ~ 0.808
3.81 (150 ")	2.019	3.231	3.80	6.17	0.040 ~ 1.010
5.08 (200 ")	2.692	4.308	5.07	8.24	0.054 ~ 1.346
6.35 (250 ")	3.365	5.385	6.34	10.30	0.067 ~ 1.683
7.62 (300 ")	4.039	6.462	7.62	12.37	0.081 ~ 2.019

● PT-VX615N / PT-VX605N / PT-VX610 / PT-VX600 / PT-VX61K / PT-VX60 / PT-VX51K / PT-VX50

(Units / Unités / Einheiten : m)

Projected image size (For 4:3 aspect ratio) / Taille de l'image projetée (Pour le rapport d'aspect 4:3) / Projektions-bildgröße (Für das Bildformat 4:3)			L		H
SD	SH	SW	LW	LT	
0.76 (30 ")	0.404	0.646	0.69	1.14	0.046 ~ 0.228
1.02 (40 ")	0.610	0.813	0.94	1.54	0.061 ~ 0.306
1.27 (50 ")	0.762	1.016	1.17	1.92	0.076 ~ 0.381
1.52 (60 ")	0.914	1.219	1.41	2.30	0.091 ~ 0.456
1.78 (70 ")	1.067	1.422	1.65	2.70	0.107 ~ 0.534
2.03 (80 ")	1.219	1.626	1.89	3.08	0.122 ~ 0.609
2.29 (90 ")	1.372	1.829	2.14	3.48	0.137 ~ 0.687
2.54 (100 ")	1.524	2.032	2.37	3.87	0.152 ~ 0.762
3.05 (120 ")	1.829	2.438	2.86	4.65	0.183 ~ 0.915
3.81 (150 ")	2.286	3.048	3.58	5.81	0.229 ~ 1.143
5.08 (200 ")	3.048	4.064	4.78	7.76	0.305 ~ 1.524
6.35 (250 ")	3.810	5.080	5.98	9.70	0.381 ~ 1.905
7.62 (300 ")	4.572	6.096	7.18	11.65	0.457 ~ 2.286

● PT-VW355N / PT-VW350 / PT-VW360

(Units / Unités / Einheiten : m)

Projected image size (For 16:10 aspect ratio) / Taille de l'image projetée (Pour le rapport d'aspect 16:10) / Projektions-bildgröße (Für das Bildformat 16:10)			L		H
SD	SH	SW	LW	LT	
0.76 (30 ")	0.404	0.646	0.74	1.21	0.008
1.02 (40 ")	0.538	0.862	1.00	1.62	0.011
1.27 (50 ")	0.673	1.077	1.26	2.04	0.013
1.52 (60 ")	0.808	1.292	1.51	2.45	0.016
1.78 (70 ")	0.942	1.506	1.77	2.87	0.019
2.03 (80 ")	1.077	1.723	2.03	3.28	0.022
2.29 (90 ")	1.212	1.939	2.28	3.69	0.024
2.54 (100 ")	1.346	2.154	2.54	4.11	0.027
3.05 (120 ")	1.615	2.585	3.06	4.94	0.032
3.81 (150 ")	2.019	3.231	3.83	6.18	0.040
5.08 (200 ")	2.692	4.308	5.11	8.25	0.054
6.35 (250 ")	3.365	5.385	6.40	10.32	0.067
7.62 (300 ")	4.039	6.462	7.68	12.39	0.081



● PT-VX425N / PT-VX420 / PT-VX421 / PT-VX430 / PT-VX431K

(Units / Unités / Einheiten : m)

Projected image size (For 4:3 aspect ratio) / Taille de l'image projetée (Pour le rapport d'aspect 4:3) / Projektions-bildgröße (Für das Bildformat 4:3)			L		H
SD	SH	SW	LW	LT	
0.76 (30 ")	0.404	0.646	0.70	1.14	0.046
1.02 (40 ")	0.610	0.813	0.94	1.53	0.061
1.27 (50 ")	0.762	1.016	1.19	1.92	0.076
1.52 (60 ")	0.914	1.219	1.43	2.31	0.091
1.78 (70 ")	1.067	1.422	1.67	2.71	0.107
2.03 (80 ")	1.219	1.626	1.92	3.10	0.122
2.29 (90 ")	1.372	1.829	2.16	3.49	0.137
2.54 (100 ")	1.524	2.032	2.40	3.88	0.152
3.05 (120 ")	1.829	2.438	2.89	4.66	0.183
3.81 (150 ")	2.286	3.048	3.62	5.83	0.229
5.08 (200 ")	3.048	4.064	4.83	7.79	0.305
6.35 (250 ")	3.810	5.080	6.05	9.74	0.381
7.62 (300 ")	4.572	6.096	7.26	11.70	0.457

● PT-LRZ35 / PT-LRZ35U

(Units / Unités / Einheiten : m)

Projected image size (For 16:10 aspect ratio) / Taille de l'image projetée (Pour le rapport d'aspect 16:10) / Projektions-bildgröße (Für das Bildformat 16:10)			L		H	
SD			LW	LT		
1.02 (40 ")			1.09	1.44	-0.0538	~ 0.0000
1.27 (50 ")			1.37	1.81	-0.0673	~ 0.0000
1.52 (60 ")			1.65	2.18	-0.0808	~ 0.0000
1.78 (70 ")			1.93	2.55	-0.0942	~ 0.0000
2.03 (80 ")			2.21	2.91	-0.1077	~ 0.0000
2.29 (90 ")			2.50	3.28	-0.1212	~ 0.0000
2.54 (100 ")			2.78	3.65	-0.1346	~ 0.0000
3.05 (120 ")			3.34	4.39	-0.1615	~ 0.0000
3.81 (150 ")			4.19	5.50	-0.2019	~ 0.0000
5.08 (200 ")			5.60	7.34	-0.2692	~ 0.0000
6.35 (250 ")			7.01	9.19	-0.3366	~ 0.0000
7.62 (300 ")			8.41	11.04	-0.4039	~ 0.0000

● PT-LRW35 / PT-LRW35U

(Units / Unités / Einheiten : m)

Projected image size (For 16:10 aspect ratio) / Taille de l'image projetée (Pour le rapport d'aspect 16:10) / Projektions-bildgröße (Für das Bildformat 16:10)			L		H	
SD			LW	LT		
1.02 (40 ")			1.14	1.51	-0.0431	~ 0.0135
1.27 (50 ")			1.44	1.90	-0.0538	~ 0.0168
1.52 (60 ")			1.74	2.29	-0.0646	~ 0.0202
1.78 (70 ")			2.03	2.67	-0.0754	~ 0.0236
2.03 (80 ")			2.33	3.06	-0.0862	~ 0.0269
2.29 (90 ")			2.62	3.45	-0.0969	~ 0.0303
2.54 (100 ")			2.92	3.84	-0.1077	~ 0.0337
3.05 (120 ")			3.51	4.61	-0.1292	~ 0.0404
3.81 (150 ")			4.40	5.78	-0.1615	~ 0.0505
5.08 (200 ")			5.88	7.72	-0.2154	~ 0.0673
6.35 (250 ")			7.36	9.65	-0.2692	~ 0.0841
7.62 (300 ")			8.84	11.59	-0.3231	~ 0.1010

The projection distance of the table other than above can be obtained according to the following calculations.  
La distance de projection de la nappe autre que ci-dessus peuvent être obtenues d'après les calculs suivants.  
Der Projektionsabstand des von obigen Tabelle kann nach den folgenden Berechnungen erhalten werden.

- Projection distance formulas\*<sup>1</sup>
- Formules de distance de projection\*<sup>1</sup>
- Projektionsabstandsformeln\*<sup>1</sup>

Check the projected image size SD (m) and use the following formula to determine projection distance.

Values obtained with the following formulas contain a slight error.

Periods are used to represent decimal points in the calculation formulas in the following table.

The calculated distance may contain a certain error.

If you want to calculate the projection distance with projected image size SD (unit: inch) by substituting, please assign 0.0254 times to the SD value.

Vérifiez la taille de l'image projetée SD (m) et utilisez la formule suivante pour déterminer la distance de projection.

Les valeurs obtenues par les formules de calcul suivantes contiennent une légère erreur.

Les points sont utilisés pour indiquer les décimales dans les formules de calcul dans le tableau suivant.

Si vous voulez calculer la distance de projection avec des images de taille SD (unité : pouce) par substitution, veuillez ajouter 0,0254 fois à la valeur SD.

Überprüfen Sie die projizierte Bildgröße SD (m) und verwenden Sie die folgende Formel, um den Projektionsabstand zu bestimmen.

Die durch die Berechnungsformeln erhaltenen Werte in der folgenden Tabelle enthalten geringfügige Fehler.

Um Dezimalstellen in den Berechnungsformeln in der folgenden Tabelle darzustellen, werden Punkte verwendet.

Wenn Sie den Projektionsabstand mit der Projektionsgröße SD (Einheit: Zoll) durch Ersetzen berechnen möchten, multiplizieren Sie bitte den SD-Wert mit 0,0254.

\*1 Not available for PT-LRZ35, PT-LRZ35U, PT-LRW35 and PT-LRW35U.

\*1 Non disponible pour PT-LRZ35, PT-LRZ35U, PT-LRW35 et PT-LRW35U.

\*1 No disponible para el PT-LRZ35, PT-LRZ35U, PT-LRW35 y PT-LRW35U.

- PT-VZ585N / PT-VZ575N / PT-VZ580 / PT-VZ570 / PT-VMZ60 / PT-VMZ50 / PT-VMZ40 / PT-VMW60 / PT-VMW50 / PT-VMZ601K / PT-VMZ501K / PT-VMZ401K / PT-VMW601K / PT-VMW501K / PT-VGZ601K

(Units / Unités / Einheiten : m)

Aspect ratio / Rapport d'aspect / Seitenverhältnis	Projected image size / Taille de l'image projetée / Projektions-bildgröße		Projection distance (L) formula / Formule de calcul de la distance de projection (L) / Formel für den Projektionsabstand (L)	
	SH	SW	LW	LT
16 : 10	= 0.530 × SD	= 0.848 × SD	= 0.9371 × SD - 0.0294	= 1.5103 × SD - 0.0319
16 : 9	= 0.490 × SD	= 0.872 × SD	= 0.9632 × SD - 0.0294	= 1.5523 × SD - 0.0319
4 : 3	= 0.6 × SD	= 0.8 × SD	= 1.0609 × SD - 0.0294	= 1.7098 × SD - 0.0319

- PT-VMZ71 / PT-VMZ61 / PT-VMZ51 / PT-VMZ51S / PT-VMZ41 / PT-VMW61 / PT-VMW51 / PT-VGZ700 / PT-VGZ650 / PT-VGZ550 / PT-VGZ550S / PT-VGW650 / PT-VGW550

(Units / Unités / Einheiten : m)

<Optical zoom / Zoom optique / Optischer Zoom>

Aspect ratio / Rapport d'aspect / Seitenverhältnis	Projected image size / Taille de l'image projetée / Projektions-bildgröße		Projection distance (L) formula / Formule de calcul de la distance de projection (L) / Formel für den Projektionsabstand (L)	
	SH	SW	LW	LT
16 : 10	= 0.530 × SD	= 0.848 × SD	= 0.9371 × SD - 0.0294	= 1.5103 × SD - 0.0319
16 : 9	= 0.490 × SD	= 0.872 × SD	= 0.9632 × SD - 0.0294	= 1.5523 × SD - 0.0319
4 : 3	= 0.6 × SD	= 0.8 × SD	= 1.0609 × SD - 0.0294	= 1.7098 × SD - 0.0319

<Digital Zoom Extender / Extenseur Zoom Numérique / Digitalzoom-Extender>

Aspect ratio / Rapport d'aspect / Seitenverhältnis	Projected image size / Taille de l'image projetée / Projektions-bildgröße		Projection distance (L) formula* <sup>1</sup> / Formule de calcul de la distance de projection (L)* <sup>1</sup> / Formel für den Projektionsabstand (L)* <sup>1</sup>	
	SH	SW	LW	LT
16 : 10	= 0.530 × SD	= 0.848 × SD	= 0.9371 × SD / X - 0.0294	= 1.5103 × SD / X - 0.0319
16 : 9	= 0.490 × SD	= 0.872 × SD	= 0.9632 × SD / X - 0.0294	= 1.5523 × SD / X - 0.0319
4 : 3	= 0.6 × SD	= 0.8 × SD	= 1.0609 × SD / X - 0.0294	= 1.7098 × SD / X - 0.0319

\*1 X in the formulas represents the setting value of [DIGITAL ZOOM EXTENDER] (100%=1.00, 95%=0.95, 90%=0.90, 85%=0.85, 80%=0.80).

X dans les formules représente la valeur de réglage de [EXTENSEUR ZOOM NUMÉRIQUE] (100 % = 1,00, 95 % = 0,95, 90 % = 0,90, 85 % = 0,85, 80 % = 0,80).

X in den Formeln steht für den Einstellwert von [DIGITALZOOM-EXTENDER] (100 % = 1,00, 95 % = 0,95, 90 % = 0,90, 85 % = 0,85, 80 % = 0,80).

● PT-VW545N / PT-VW540

(Units / Unités / Einheiten : m)

Aspect ratio / Rapport d'aspect / Seitenverhältnis	Projected image size / Taille de l'image projetée / Projektions-bildgröße		Projection distance (L) formula / Formule de calcul de la distance de projection (L) / Formel für den Projektionsabstand (L)	
	SH	SW	LW	LT
16 : 10	= 0.530 × SD	= 0.848 × SD	= 0.9286 × SD - 0.0295	= 1.5041 × SD - 0.0272
16 : 9	= 0.490 × SD	= 0.872 × SD	= 0.9544 × SD - 0.0295	= 1.5459 × SD - 0.0272
4 : 3	= 0.6 × SD	= 0.8 × SD	= 1.0512 × SD - 0.0295	= 1.7027 × SD - 0.0272

● PT-VW535N / PT-VW530 / PT-VW355N / PT-VW350 / PT-VW360

(Units / Unités / Einheiten : m)

Aspect ratio / Rapport d'aspect / Seitenverhältnis	Projected image size / Taille de l'image projetée / Projektions-bildgröße		Projection distance (L) formula / Formule de calcul de la distance de projection (L) / Formel für den Projektionsabstand (L)	
	SH	SW	LW	LT
16 : 10	= 0.530 × SD	= 0.848 × SD	= 1.0037 × SD - 0.0290	= 1.6273 × SD - 0.0292
16 : 9	= 0.490 × SD	= 0.872 × SD	= 1.0316 × SD - 0.0290	= 1.6725 × SD - 0.0292
4 : 3	= 0.6 × SD	= 0.8 × SD	= 1.1363 × SD - 0.0290	= 1.8422 × SD - 0.0292

● PT-VX615N / PT-VX605N / PT-VX610 / PT-VX600 / PT-VX61K / PT-VX60 / PT-VX51K / PT-VX50 / PT-VX425N / PT-VX420 / PT-VX421 / PT-VX430 / PT-VX431K

(Units / Unités / Einheiten : m)

Aspect ratio / Rapport d'aspect / Seitenverhältnis	Projected image size / Taille de l'image projetée / Projektions-bildgröße		Projection distance (L) formula / Formule de calcul de la distance de projection (L) / Formel für den Projektionsabstand (L)	
	SH	SW	LW	LT
4 : 3	= 0.6 × SD	= 0.8 × SD	= 0.9461 × SD - 0.0295	= 1.5324 × SD - 0.0272
16 : 9	= 0.490 × SD	= 0.872 × SD	= 1.0307 × SD - 0.0295	= 1.6696 × SD - 0.0272
16 : 10	= 0.530 × SD	= 0.848 × SD	= 1.0028 × SD - 0.0295	= 1.6244 × SD - 0.0272

---

# Panasonic Connect Co., Ltd.

Website: <https://panasonic.net/cns/projector/>  
© Panasonic Connect Co., Ltd. 2022

SS0714NL5042 -PT