

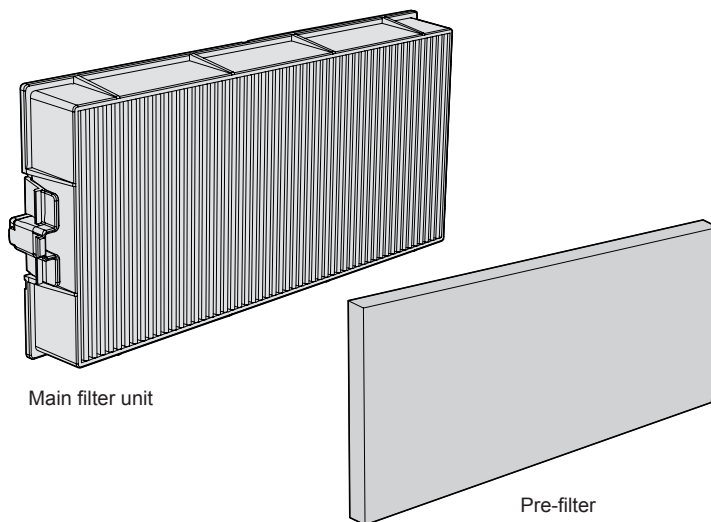
# Panasonic<sup>®</sup>

## Operating Instructions

Replacement Filter Unit **Commercial Use**

---

Model No. **ET-RFF200C**



Thank you for purchasing this Panasonic product.

- Please read these operating instructions and the projector operating instructions carefully, and then use this product correctly.
- Please save this Operating Instructions for future use.

# Replacing the air filter unit

## Before replacing the air filter unit

This product consists of two types of the air filters (each one piece).

- Main filter unit
- Pre-filter

### Attention

- **Turn off the power and disconnect the power plug from the wall outlet before you replace the air filter unit.**
- When replacing the air filter unit, make sure that the projector is stable, and work in an environment that is safe, even if you drop the air filter cover, the main filter unit or the pre-filter.
- Do not put anything into the air vents. Doing so may result in malfunction of the projector.

### Note

- Illustrations contained in this manual that show the projector may differ from the actual objects they depict.

## How to replace the air filter unit

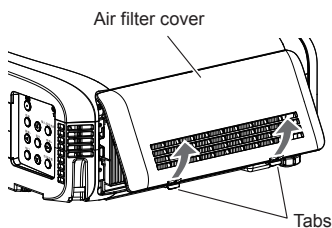


Fig. 1

Main filter unit compartment and the projector's air intake port

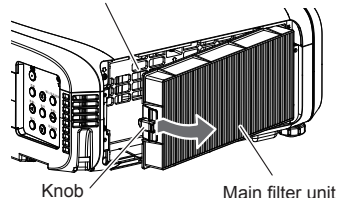
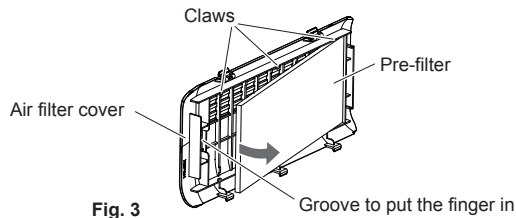


Fig. 2

- 1) **Turn off the power of the projector and set the < 主电源 > switch to < 关 > and disconnect the power plug from the power outlet.**
  - When the power is turned off, be absolutely sure to follow the procedure described in "Switching off the projector" in the operating instructions of the projector.
- 2) **Remove the air filter cover (Fig. 1).**
  - Pull out the air filter cover from the hook of the projector while slightly pushing upward the tabs of the air filter cover and open it in the direction of the arrow in figure.
  - When pulling open the air filter cover, be sure to firmly hold the air filter cover with your hand. Opening the air filter cover quickly may result in the cover falling.
- 3) **Remove the main filter unit.**
  - Pull out the main filter unit from the tabs of the projector while slightly pressing the knob at the center of the frame at the connecting terminal side (rear side) inward as shown by the arrow, and remove the main filter unit. (Fig. 2)
  - After pulling out the main filter unit, remove foreign objects and dust from the main filter unit compartment and the projector's air intake port if there are any.
- 4) **Remove the pre-filter from the air filter cover.**
  - Put your finger in the groove and remove the pre-filter from the claws. (Fig. 3)
  - After removing the pre-filter, remove foreign objects and dust if there are any on the air filter cover.

## Replacing the air filter unit (continued)



### 5) Attach the unused main filter unit to the projector.

- Perform Step 3) in the reverse order.
- Push in the main filter unit securely until it clicks into place.

### 6) Attach the unused pre-filter to the air filter cover.

- There is no specification of the front and back for attaching the pre-filter.
- Put the pre-filter into the claws (3 places) on one side of the air filter cover (Fig. 4), and then push each portion slowly in the direction of the arrows into the claws (3 places) on the other side (Fig. 5). Please make sure that there is no damage or deformation at the contact areas of the pre-filter with the claws when attaching it.

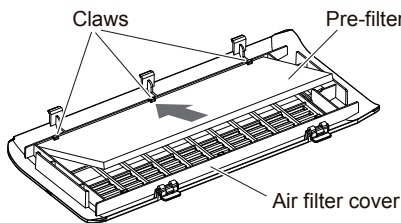


Fig. 4

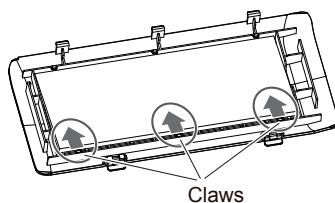


Fig. 5

### 7) Attach the air filter cover to the projector.

- Perform Step 2) in the reverse order to close the air filter cover, and push in the air filter cover securely until it clicks into place.

### 8) Connect the power plug, set the < 主电源 > switch to < 开 >, and press the power button < 电源 > on the control panel or on the remote control to turn on the power and start the projection.

### 9) Press the < 菜单 > button to display the main menu, then press ▲▼ to select [PROJECTOR SETUP].

### 10) Press the < 执行 > button.

### 11) Press ▲▼ to select [FILTER COUNTER].

### 12) Press the < 执行 > button.

- The [FILTER COUNTER] screen is displayed.

### 13) Press ▲▼ to select [FILTER COUNTER RESET].

### 14) Press the < 执行 > button.

- The [FILTER COUNTER RESET] screen is displayed.

### 15) Press ◀▶ to select [OK], then press the < 执行 > button.

- The filter usage time is reset.

## Replacing the air filter unit (continued)

### Attention

- Make sure that the main filter unit and the pre-filter are properly attached before using the projector. If they are not attached, the projector will suck in dirt and dust causing a malfunction.
- Dispose of the packaging materials properly after unpacking the product.
- Do not disassemble the main filter unit.

### Note

- If you use the projector without attaching the main filter unit, the filter indicator blinks in red and the message appears on the projected image for about 30 seconds. Turn the projector off, and then attach the main filter unit before turning the projector on again.
- The replacement cycle of the air filter units varies greatly depending on the usage environment.
- For procedures on maintaining the air filter unit, refer to the operating instructions supplied with the projector.

## ■ Disposal

When discarding this product, please contact your local authorities or dealer and ask for the correct method of disposal.

---

## 松下电器(中国)有限公司

北京市朝阳区景华南街 5 号远洋光华中心 C 座 3 层、6 层  
网站: <https://panasonic.cn>

**原产地 : 中国**

**发行 : 2022 年 6 月 第二版**

© 松下互联株式会社 2022 版权所有

T10316ZF1062 -PT  
Printed in China