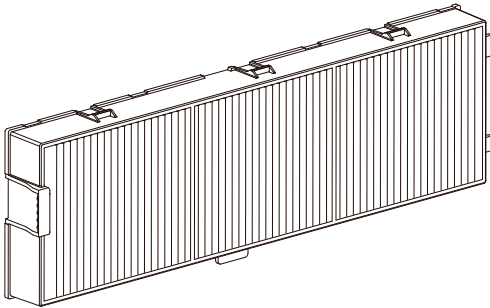


Operating Instructions

Replacement Filter Unit

Commercial Use

Model No. ET-RFV410



ENGLISH

FRANÇAIS

日本語

Thank you for purchasing this Panasonic product.

- Carefully read through these operating instructions and the operating instructions of the projector to ensure safe and proper operation.
- Please save this operating instructions for future use.

Attention

- Make sure to turn off the power and disconnect the power plug from the wall outlet before replacing the air filter unit.
- Make sure that the projector is stable, and perform the replacement in a safe place even if the filter falls accidentally.
- Do not put anything into the air vents. Doing so may result in malfunction of the projector.
- **Be sure to reset the filter counter after replacing the air filter unit.**
When the projector is used without resetting the filter counter, the actual filter usage time (counter numeric value) will not be able to be confirmed.

■ Illustrations in this operating instructions

- Illustrations contained in this operating instructions that show the projector may differ from the actual objects they depict.

■ Term

- In this manual, the “Wireless remote control unit” accessory is referred to as the “Remote control”.

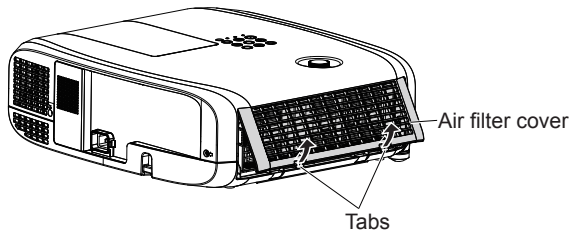
How to replace the air filter unit

1) Switching off the projector and then remove the AC power plug from the wall outlet.

- When switching off the projector, make sure to follow the procedures in “Switching off the projector” in the operating instructions of the projector.

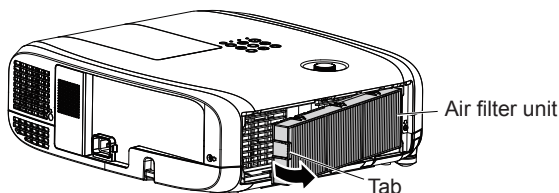
2) Remove the air filter cover.

- Push the tabs of the air filter cover upward as shown in the figure, remove them from the hooks of the projector and open it in the direction of the arrow in the figure.



3) Remove the air filter unit.

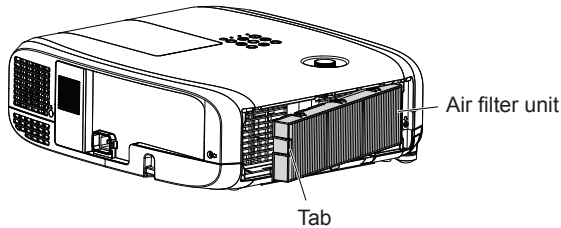
- Put your finger on the tab on the left side of the air filter unit, open it in the direction of the arrow shown in the figure and remove it.
- After removing the air filter unit, remove the foreign objects and dust in the air filter unit compartment if there are any.



How to replace the air filter unit (continued)

4) Attach the new air filter unit (Replacement Filter Unit) to the projector.

- Hold the air filter unit with the tab on the left side as shown in the figure, attach it from the right side, and push the tab until it clicks.
- Do not press on the crease part of the air filter when pressing into place.



5) Attach the air filter cover to the projector.

- Perform Step 2) in the reverse order to close the air filter cover. Make sure to press the air filter cover firmly until it clicks into place.

6) Connect the power plug, press the power button < ⏻ / | > on the control panel or the remote control to turn on the power of the projector.

7) Press the <MENU> button.

- The main menu screen is displayed.

8) Press ▲▼ to select [PROJECTOR SETUP].

9) Press the <ENTER> button.

- The [PROJECTOR SETUP] screen is displayed.

10) Press ▲▼ to select [FILTER COUNTER].

11) Press the <ENTER> button.

- The [FILTER COUNTER] screen is displayed.

12) Press ▲▼ to select [FILTER COUNTER RESET] and press the <ENTER> button.

13) When the confirmation screen is displayed, press ◀▶ to select [OK], then press the <ENTER> button.

- The [PROJECTOR SETUP] menu → [FILTER COUNTER] → [FILTER COUNTER] is displayed as "0H".

Attention

- Make sure that the air filter unit is properly attached before using the projector. If it is not attached, the projector will suck in dirt and dust causing a malfunction.
- After unpacking the air filter unit, discard the packaging material properly.
- Do not disassemble the air filter unit.

Note

- The replacement cycle of the air filter unit varies greatly depending on the usage environment.

■ Disposal

When discarding this product, please contact your local authorities or dealer and ask for the correct method of disposal.

Panasonic Connect Co., Ltd.

Web Site : <https://panasonic.net/cns/projector/>