
S P E C F I L E

Product Number : PT-**RZ31K**

Product Name : 3-Chip DLP™ Projector

Specifications

Main unit

Power supply		AC 100-120 V, 50/60 Hz; AC 200-240 V, 50/60 Hz
Power consumption		2,870 W (2,870 VA AC200V) Average power consumption (Varies depending on operation mode setting.) HIGH: 2,310W NORMAL: 1,890W LONG LIFE 1: 1,040-1,680W LONG LIFE 2: 924-1,580W LONG LIFE 3: 794-1,460W *Operating Temperature: 25 °C (77 °F), Altitude: 700m (2,297ft), IEC627087: 2008 Broadcast contents, Picture mode: Standard, Dynamic contrast [2] 0.3 W with STANDBY MODE set to ECO*1 4 W with STANDBY MODE set to NORMAL
BTU value		Max 9,806 BTU
DLP™ chip	Panel size	24.4 mm (0.96 inches) diagonal (16:10 aspect ratio)
	Display method	DLP™chip × 3 (R, G, B), DLP™projection system
	Pixels	2,304,000 (1920 ×1200) ×3, total of 6,912,000 pixels
Lens		Optional powered zoom/focus lenses
Light source		Laser Diode
Brightness*5		Varies depending on operation mode setting. 30,000 lm ^{*3} /31,000 lm ^{*4} (Center) (HIGH) 25,000 lm ^{*3} /26,000 lm ^{*4} (Center) (NORMAL) 12,000 lm at constant luminance (LONG LIFE 1) 10,000 lm at constant luminance (LONG LIFE 2) 8,000 lm at constant luminance (LONG LIFE 3)
Time until light output declines to 50 %*2		Varies depending on operation mode setting. Luminance life for set: 18,000 hours at half luminance (HIGH)/ 8,000 hours at 70% luminance 20,000 hours at half luminance (NORMAL) 43,800 hours at constant luminance (LONG LIFE 1)/ 61,320 hours at constant luminance (LONG LIFE 2)/ 87,600 hours at constant luminance (LONG LIFE 3)
Filter life	Normal filter	Varies depending on operation mode setting. 4,000 hours (NORMAL)/2,000 hours (HIGH)/ 20,000 hours (LONG LIFE 1/2/3)
	Long life filter unit	20,000 hours (NORMAL)/4,000 hours (HIGH)/ 40,000 hours (LONG LIFE 1/2/3)
Screen size		1.78–25.4 m (70–1,000 inches) (16:10 aspect ratio) 1.78–15.24 m (70–600 inches) with the ET-D75LE8 (16:10 aspect ratio) 3.05–15.24 m (120–600 inches) with the ET-D75LE95 (16:10 aspect ratio)
Center-to-corner uniformity*3		90%
Contrast*3		20,000:1 (full on/full off, in Dynamic Contrast 3 mode)
Resolution		1920 ×1200 pixels (Input signals that exceed this resolution will be converted to 1920 ×1200 pixels.)
Compatible signal	Video/YC	fH:15.73KHz fV:59.94Hz, fH:15.63KHz fV:50Hz
	RGB	• Resolution: 640 x 400 pixels to 1920 x 1200 pixels • Dot clock frequency: 162MHz or less • PIAS (Panasonic Intelligent Auto Scanning)
	YPbPr(YCbCr)	• Resolution: 480i/576i to 1920 x 1080 pixels • Dot clock frequency: 148.5MHz or less • The SYNC/HD and VD terminals do not support 3 value SYNC.
	DVI	• Moving image signal resolution: 480i*6/576i*6 to 1920x1080 Still image signal resolution: 640 x 400 to 1920 x 1200 (non-interlace) • Dot clock frequency: 25 MHz to 162 MHz

Compatible signal	HDMI/DIGITAL LINK	<ul style="list-style-type: none"> Moving image signal resolution: 480i*6/576i*6 to 1920x1080 Still image signal resolution: 640 x 400 to 1920 x 1200 (non-interlace) Dot clock frequency: 25 MHz to 162 MHz
	SDI	

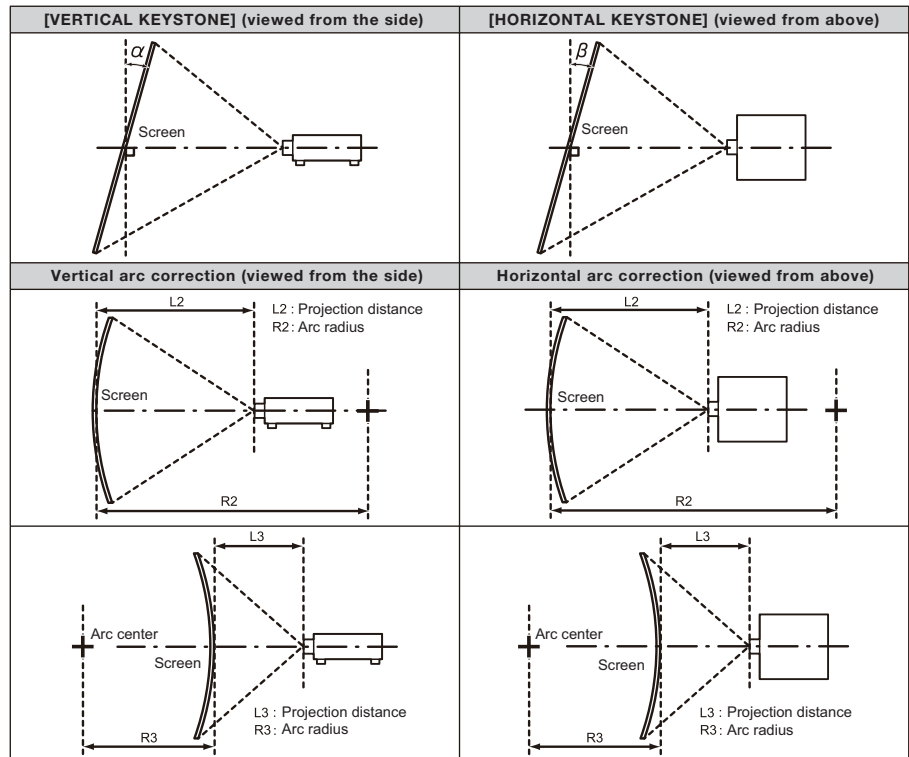
For details of the types of video signals that can be used with the projector, refer to “List of compatible signals”

Keystone correction range

Projection lens Model No.	Only [KEystone] used		[KEystone] and [CURVED] used together				Only [CURVED] used	
	Vertical keystone correction angle α (°)	Horizontal keystone correction angle β (°)	Vertical keystone correction angle α (°)	Horizontal keystone correction angle β (°)	Min. value of R2/L2	Min. value of 3/L3	Min. value of R2/L2	Min. value of R3/L3
ET-D75LE6/ET-D3LEW60	± 28	± 15	± 10	± 10	1.6	3.9	0.9	2.3
ET-D75LE8/ET-D3LET80	± 40	± 15	± 20	± 15	0.2	0.4	0.2	0.3
ET-D75LE10	± 40	± 15	± 20	± 15	1.1	2.6	0.6	1.5
ET-D75LE20/ET-D3LES20	± 40	± 15	± 20	± 15	0.9	1.7	0.5	1.0
ET-D75LE30	± 40	± 15	± 20	± 15	0.6	1.2	0.4	0.7
ET-D75LE40	± 40	± 15	± 20	± 15	0.4	0.7	0.2	0.4
ET-D75LE50/ET-D3LEW50	± 22	± 15	± 8	± 8	2.0	4.9	1.2	2.9
ET-D75LE95*7	+5 / -0	0	-	-	-	-	-	-

When using the optional Upgrade Kit (Model No.: ET-UK20)

Projection lens Model No.	Only [KEystone] used*8		[KEystone] and [CURVED] used together				Only [CURVED] used	
	Vertical keystone correction angle α (°)	Horizontal keystone correction angle β (°)	Vertical keystone correction angle α (°)	Horizontal keystone correction angle β (°)	Min. value of R2/L2	Min. value of 3/L3	Min. value of R2/L2	Min. value of R3/L3
ET-D75LE6/ET-D3LEW60	± 28	± 15	± 10	± 10	1.2	3.0	0.7	1.7
ET-D75LE8/ET-D3LET80	± 45	± 40	± 20	± 15	0.2	0.3	0.1	0.2
ET-D75LE10	± 40	± 40	± 20	± 15	0.9	2.0	0.5	1.1
ET-D75LE20/ET-D3LES20	± 40	± 40	± 20	± 15	0.7	1.3	0.4	0.7
ET-D75LE30	± 45	± 40	± 20	± 15	0.5	0.9	0.3	0.5
ET-D75LE40	± 45	± 40	± 20	± 15	0.3	0.5	0.2	0.3
ET-D75LE50/ET-D3LEW50	± 22	± 15	± 8	± 8	1.5	3.7	0.9	2.2
ET-D75LE95*7	+5 / -0	0	-	-	-	-	-	-



Lens Shift	Vertical	<ul style="list-style-type: none"> ±55% (±44% with the ET-D75LE6/ET-D3LEW60), (+68-78% with the ET-D75LE95), from center of screen, powered ±20% (±15% with the ET-D75LE6/ET-D3LEW60), (±12% with the ET-D75LE95), from center of screen, powered <p>NOTE: Lens Shift function cannot be operated when used with the ET-D75LE50/ET-D3LEW50.</p>
	Horizontal	
Installation	Ceiling/floor, front /rear, free 360-degree installation	

3-Chip DLP™ Projector

Terminals	RGB1 IN R,G,B Y, P _B , P _R (Y, C _B , C _R) Y/C VIDEO IN RGB2 IN R,G,B Y, P _B , P _R (Y, C _B , C _R) DVI-D IN HDMI IN SDI IN 1 SDI IN 2 DIGITAL LINK 3D SYNC1 IN/OUT / MULTI PROJECTOR SYNC IN 3D SYNC2 OUT / MULTI PROJECTOR SYNC OUT SERIAL IN SERIAL OUT REMOTE 1 IN REMOTE 1 OUT REMOTE 2 IN DIGITAL LINK/LAN DC OUT 5V	BNC × 5 R: 0.7 Vp-p, 75 ohms, G: 0.7 Vp-p (G: 1.0 Vp-p for sync on G), 75 ohms, B: 0.7 Vp-p, 75 ohms HD, VD/SYNC: TTL, high impedance, positive/negative automatic Y: 1.0 Vp-p (including sync signal), P _B /P _R (C _B /C _R): 0.7 Vp-p, 75 ohms Y: 1.0 Vp-p (including sync signal), C: 0.286 Vp-p, 75 ohms BNC × 1, 1.0 Vp-p, 75 ohms D-sub HD 15-pin (female) × 1 R: 0.7 Vp-p, 75 ohms, G: 0.7 Vp-p (G: 1.0 Vp-p for sync on G), 75 ohms, B: 0.7 Vp-p, 75 ohms HD, VD/SYNC: TTL, high impedance, positive/negative automatic Y: 1.0 Vp-p (including sync signal), P _B /P _R (C _B /C _R): 0.7 Vp-p, 75 ohms DVI-D 24-pin × 1 Single link, DVI 1.0 compliant, HDCP compatible HDMI 19-pin x1 HDCP compatible, Deep Color compatible BNC × 1 SD-SDI signal SMPTE ST 259 compliant HD-SDI signal SMPTE ST 292 compliant 3G-SDI signal SMPTE ST 424 compliant Dual link HD-SDI (LINK-A) signal SMPTE ST 372 compliant Dual link 3G-SDI (Link 1) signal SMPTE ST 425 compliant BNC × 1 SD-SDI signal SMPTE ST 259 compliant HD-SDI signal SMPTE ST 292 compliant 3G-SDI signal SMPTE ST 424 compliant Dual link HD-SDI (LINK-B) signal SMPTE ST 372 compliant Dual link 3G-SDI (Link 2) signal SMPTE ST 425 compliant RJ-45 HDBaseT™ compliant, HDCP compatible, Deep Color compatible BNC × 1, IN : TTL Hi-z OUT : TTL max10mA BNC × 1, TTL max10mA D-sub 9 pin × 1 for external control (RS-232C compliant) D-sub 9 pin × 1 for link control M3 stereo mini jack × 1 for wired remote control M3 stereo mini jack × 1 for link control D-sub 9 pin × 1 for external control (parallel) RJ-45 x 1 (for network, DIGITAL LINK connection, 100Base-TX, compatible with Art-Net, PLink™ (class 1), Deep Color, HDCP) USB connector (type A) x 2 for power supply only (DC 5V, Max.900mA)
Power cord length	3.0 m (9 ft 10 in) ft	
Cabinet materials	Processed metal parts, Molded plastic	
Dimensions (W × H × D):	700 × 418* ⁹ ×1,250 mm (27-9/16 × 16-15/32 × 49-7/32 inches) (with protrusion parts) 700 × 373* ¹⁰ ×1,070 mm (27-9/16 × 14-11/16 × 42-1/8 inches) (without protrusion parts)	
Weight* ¹¹	79 kg (174.2 lbs)	
Operation noise* ³	49 dB	
Safety Standards	Class 1 (IEC 60825-1 Ed3 : 2014) Risk Grope 3 (IEC 62471-5 Ed1 : 2015)	

Operating temperature	Varies depending on operation mode setting. HIGH/NORMAL The operating temperature range is 0°C to 50°C (32 °F to 122 °F). (Less than 1,400m (4,593 ft) above sea level) The operating temperature range is 0°C to 45°C (32 °F to 113 °F). (Less than 1,400m (4,593 ft) to 4,200m (13,780 ft) above sea level) • If using at ambient operating temperatures of 35 °C (95 °F) or higher and at less than 2,700m (8,858 ft) above sea level, or at ambient operating temperatures of 25 °C (77 °F) or higher and between 2,700m (8,858 ft) and 4,200m (13,780 ft) above sea level, the brightness of the light source may drop in order to protect the projector. LONG LIFE 1/2/3 The operating temperature range is 0°C to 45°C (32 °F to 113 °F). (Less than 2,700m (8,858 ft) above sea level) • If using at ambient operating temperatures of 35 °C (95 °F) or higher, the brightness of the light source may drop in order to protect the projector. When using a smoke cut filter (regardless of operating mode) 0 °C to 40 °C (32 °F to 104 °F) Less than 1,400 m (4,953 ft) above sea level
Operating humidity	10%–80% (no condensation)
Remote control unit	
Power supply	3 V DC (AA/R6 type battery × 2)
Operation range	Approx. 30 m (985 in) ftwhen operated from directly in front of the signal receptor
Dimensions (W × H × D)	47.5 × 181.5 × 27.5 mm (1-7/8 × 7-5/32 × 1-3/32 inches)
Weight	Approx. 150 g (5.3 oz) (including batteries)

Supplied accessories

Power cord (×3)	Wireless/wired remote control unit (×1)	Batteries for remote control (AA/R6 type × 2)
Lens drop-prevention screw (× 1)	Replacement filter unit (ET-EMF330) (× 4)	Lens hole cover (× 1)
Software CD-ROM (Logo Transfer Software, Multi Monitoring & Control Software) (× 1)		

Optional accessories

Zoomlens (1.00-1.18:1)	ET-D75LE6/ET-D3LEW60	Zoomlens (1.39-1.79:1)	ET-D75LE10
Zoomlens (1.35-1.84:1)	ET-D3LEW10	Zoomlens (1.79-2.59:1)	ET-D75LE20/ET-D3LES20
Zoomlens (2.58-5.00:1)	ET-D75LE30	Zoomlens (2.57-5.00:1)	ET-D3LET30*12
Zoomlens (4.95-7.91:1)	ET-D75LE40	Zoomlens (4.94-7.94:1)	ET-D3LET40*12
Zoomlens (7.87-14.8:1)	ET-D75LE8/ET-3LET80	Fixed-focus lens (0.746:1)	ET-D75LE50/ET-D3LEW50
Fixed-focus lens (0.390:1)	ET-D75LE95	Optional Fisheye Lens	ET-D3LEF70*12
Lens Fixed Attachment	ET-PLF10	Stepping Motor Kit	ET-D75MKS10*13
Replacement filter unit	ET-EMF330	Long life filter unit	ET-EMFU330
Smoke cut filter	ET-SFR330	Upgrade kit	ET-UK20
Auto Screen Adjustment Upgrade Kit	ET-CUK10	Auto Screen Adjustment Upgrade Kit (PC)	ET-CUK10P
Digital interface box	ET-YFB100G	Digital LINK Switcher	ET-YFB200G

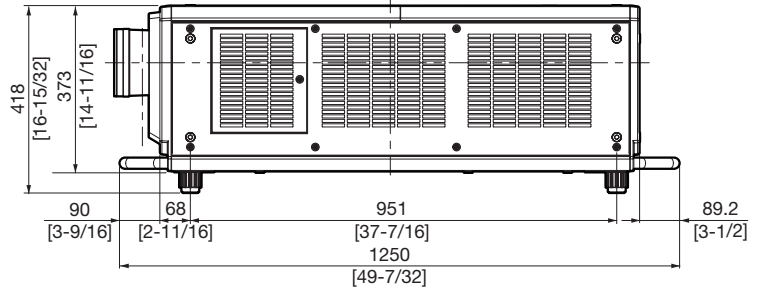
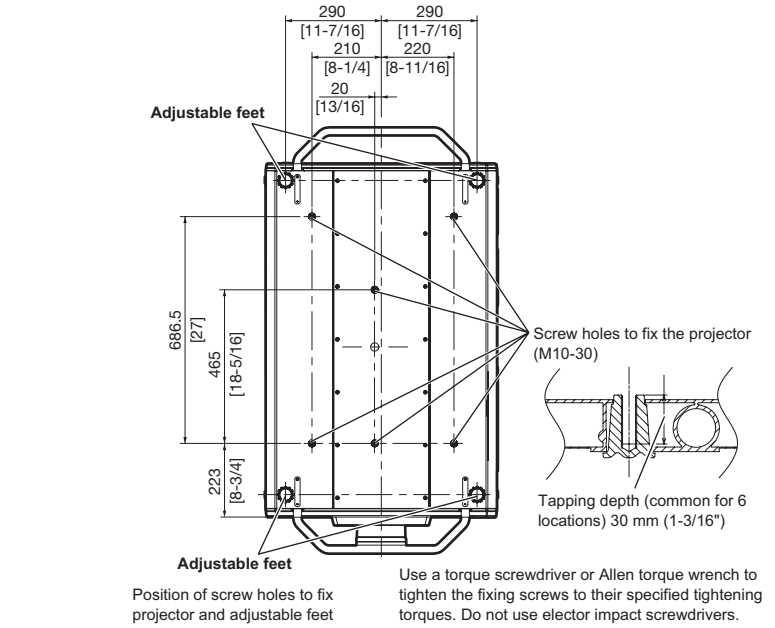
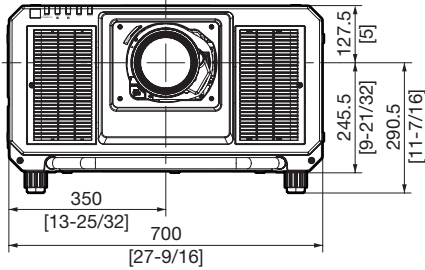
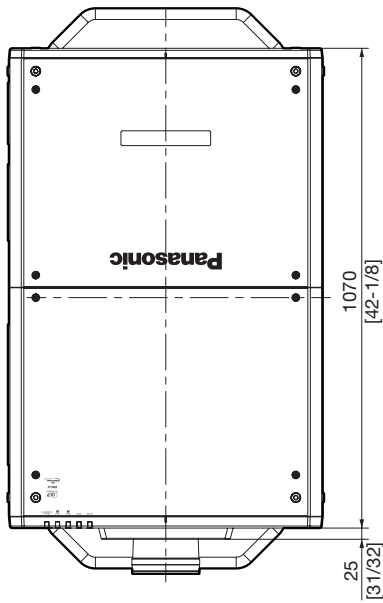
Early Warning Software (ET-SWA100*) *The symbol at the end of the part number will vary depending on the type of license.

Applicable software

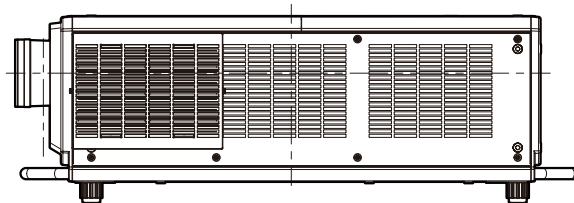
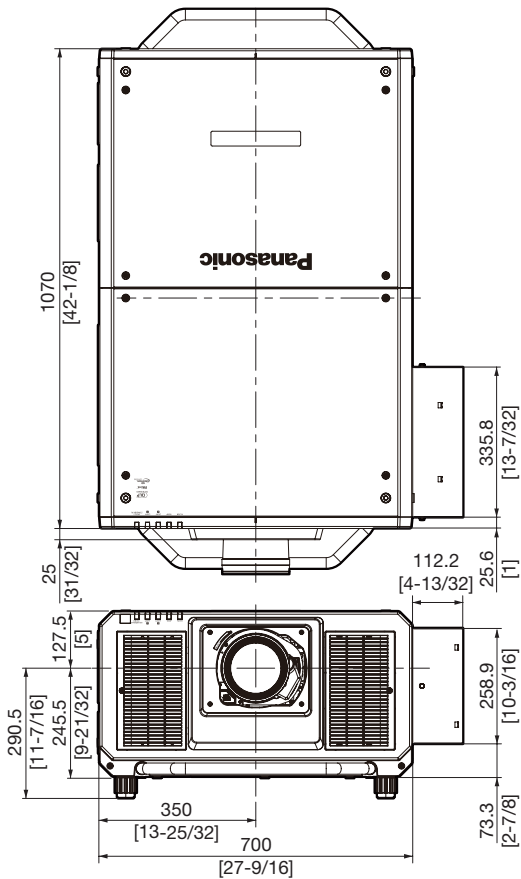
- Logo Transfer Software
- Smart Projector Control for iOS/Android™
- Multi Monitoring and Control Software

*1 When the standby mode is set to ECO, network functions such as power on over the LAN network will not operate, and the serial output terminal cannot be used. Also, only certain commands can be received for external control using the serial terminal.
*2 Around this time, light output will have decreased by approximately 50 %. IEC62087: 2008 Broadcast contents, Dynamic Contrast [3], under conditions with 35 °C (95 °F), 700 m (2,297 ft) above sea level, and 0.15 mg/m3 of particulate matter. Estimated time until light output declines to 50 % varies depending on environment.
*3 Measurement, measuring conditions, and method of notation all comply with ISO 21118 international standards.
*4 Average light-output value of all shipped products measured at center of screen.
*5 In AC200V, When using a projection lens other than ET-D75LE95.
*6 Pixel-Repetition signal(dot clock frequency 27.0MHz) only
*7 Only the vertical keystone correction angle can be corrected in the direction in which the projector body moves away from the screen.
*8 When [VERTICAL KEYSTONE] and [HORIZONTAL KEYSTONE] are used simultaneously, correction cannot be made exceeding total of 55°.
*9 With legs at shortest position.
*10 Without legs.
*11 Average value. May differ depending on the actual unit.
*12 For details on the optional lens, see the Spec File for each lens.
*13 Please update to the latest firmware.

Dimensions

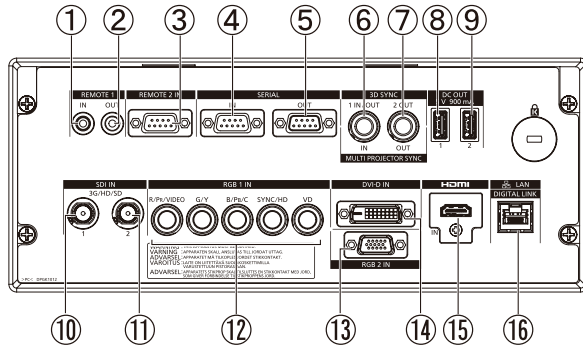


When the long-life filter unit (Model No.: ET-EMFU330, sold separately) is installed



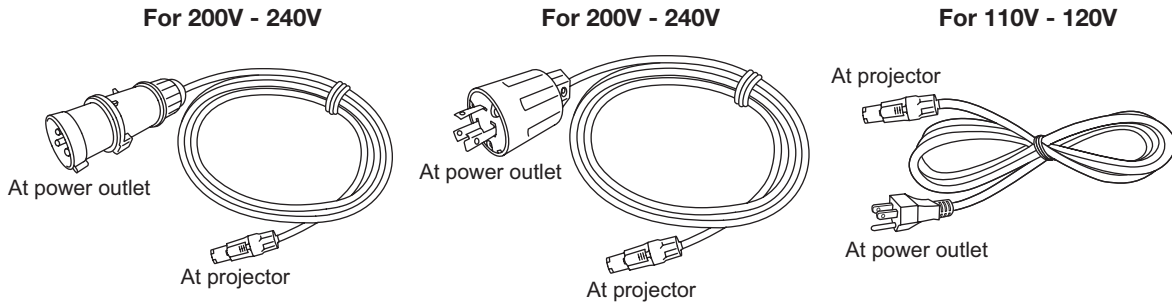
unit : mm (inch)
NOTE: This illustration is not drawn to scale.

Terminals

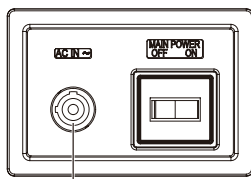


- 1 Remote 1 input
- 2 Remote 1 output
- 3 Remote 2 input
- 4 Serial input
- 5 Serial output
- 6 MULTI PROJECTOR SYNC IN 3D SYNC 1 IN/OUT
- 7 MULTI PROJECTOR SYNC OUT 3D SYNC 2 OUT
- 8 DC 1 output
- 9 DC 2 output
- 10 SDI 1 input
- 11 SDI 2 input
- 12 RGB 1 input
- 13 RGB 2 Input
- 14 DVI-D input
- 15 HDMI input
- 16 LAN/DIGITAL LINK connector

Power cord



At projector



AC IN terminal

Power outlets that can be used



2P/3W 30 A 250 V
NEMA L6-30



2P/3W 30 A 250 V
Clock position 6h



2P/3W 15 A 125 V

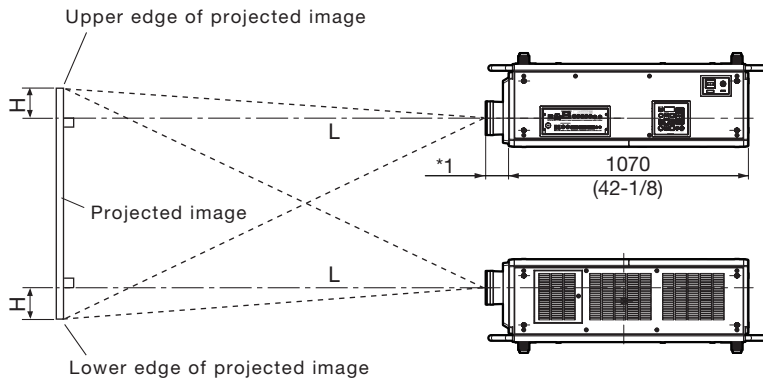
This projector supports AC 100 V to AC 120 V, and AC 200 V to AC 240 V as the power supply. A grounded outlet supporting 30 A is required when using the projector with AC 200 V to AC 240 V. A grounded outlet supporting 15 A is required when using the projector with AC 100 V to AC 120 V.

The shape of the usable outlet differs depending on the power supply. Following illustrations are examples.

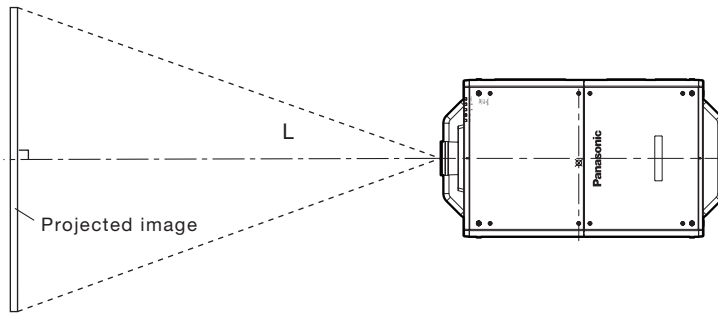
NOTE

- The light output will decrease to approximately 1/3 when using the projector with AC 100 V to AC 120 V.
- The supplied power cords vary depending on the country or region where you purchased the product.

Standard setting-up position



unit : mm (inch)



*1 When the lens protrudes to the maximum.

- 182 mm (7-5/32) with the ET-D75LE6/ET-D3LEW60
- 95 mm (3-3/4) with the ET-D75LE10
- 91 mm (3-19/32) with the ET-D75LE20/ET-D3LES20
- 91 mm (3-19/32) with the ET-D75LE30
- 94 mm (3-11/16) with the ET-D75LE40
- 224 mm (8-13/16) with the ET-D75LE8/ET-D3LET80
- 173 mm (6-13/16) with the ET-D75LE50/ET-D3LEW50

This illustration is not drawn to scale.

Caution:

- All construction work should be done by a qualified technician.
- For details on the optional lens ,and lens of ET-D75LE95、ET-D3LEF70、ET-D3LEW10、ET-D3LET30、ET-D3LET40 see the Spec File for each lens.

Projection distance for 16:10 aspect ratio screen

(ET-D75LE6/ET-D3LEW60/D75LE10/D75LE20/ET-D3LES20/D75LE30/D75LE40/D75LE8/ET-D3LET80/D75LE50/ET-D3LEW50)

Unit: meters

Screen size (diagonal)	Distance to screen (L)												Height from the edge of screen to center of lens (H)					
	Zoom												Fixed-focus					
	ET-D75LE6 ET-D3LEW60 Zoom lens		ET-D75LE10 Zoom lens		ET-D75LE20 ET-D3LES20 Zoom lens		ET-D75LE30 Zoom lens		ET-D75LE40 Zoom lens		ET-D75LE8 ET-D3LET80 Zoom lens		ET-D75LE50 ET-D3LEW50 Fixed-focus lens		Zoom lenses Except ET-D75LE6 ET-D3LEW60		ET-D75LE6 ET-D3LEW60	ET-D75LE50 ET-D3LEW50 Zoom lens
[m] / [in]	min.	max.	min.	max.	min.	max.	min.	max.	min.	max.	min.	max.	min.	max.	min.	max.	min.	max.
1.78 / 70	1.35	1.62	1.90	2.46	2.46	3.58	3.56	6.94	6.87	11.05	10.78	20.56	1.01	-0.05	-0.99	0.06	-0.89	0.47
2.03 / 80	1.56	1.86	2.19	2.83	2.83	4.11	4.08	7.96	7.88	12.65	12.38	23.55	1.16	-0.05	-1.13	0.07	-1.01	0.54
2.29 / 90	1.76	2.10	2.47	3.20	3.19	4.64	4.61	8.98	8.88	14.25	13.97	26.54	1.32	-0.06	-1.27	0.07	-1.14	0.61
2.54 / 100	1.96	2.34	2.76	3.56	3.55	5.17	5.13	9.99	9.88	15.85	15.57	29.53	1.47	-0.07	-1.41	0.08	-1.27	0.67
3.05 / 120	2.36	2.82	3.32	4.30	4.28	6.22	6.18	12.03	11.89	19.05	18.76	35.51	1.78	-0.08	-1.70	0.10	-1.52	0.81
3.81 / 150	2.96	3.55	4.18	5.40	5.37	7.81	7.75	15.08	14.90	23.85	23.54	44.47	2.24	-0.10	-2.12	0.12	-1.90	1.01
5.08 / 200	3.97	4.75	5.60	7.24	7.19	10.45	10.38	20.17	19.93	31.86	31.52	59.41	3.01	-0.14	-2.83	0.16	-2.53	1.35
6.35 / 250	4.98	5.96	7.02	9.07	9.01	13.09	13.00	25.25	24.95	39.86	39.49	74.36	3.78	-0.17	-3.53	0.20	-3.16	1.68
7.62 / 300	5.99	7.17	8.44	10.91	10.82	15.73	15.62	30.34	29.97	47.87	47.47	89.30	4.56	-0.20	-4.24	0.24	-3.80	2.02
8.89 / 350	6.99	8.37	9.86	12.74	12.64	18.37	18.24	35.42	34.99	55.87	55.44	104.24	5.33	-0.24	-4.95	0.28	-4.43	2.36
10.16 / 400	8.00	9.58	11.28	14.58	14.46	21.01	20.86	40.51	40.01	63.87	63.42	119.19	6.10	-0.27	-5.65	0.32	-5.06	2.69
12.70 / 500	10.01	11.99	14.12	18.25	18.09	26.29	26.11	50.68	50.05	79.88	79.37	149.08	7.64	-0.34	-7.07	0.40	-6.33	3.37
15.24 / 600	12.03	14.40	16.96	21.93	21.73	31.58	31.35	60.85	60.09	95.89	95.32	178.96	9.18	-0.40	-8.48	0.49	-7.59	4.04
17.78 / 700	14.04	16.82	19.80	25.60	25.36	36.86	36.60	71.02	70.13	111.90	111.27	-	10.72	-0.47	-9.90	0.57	-8.86	4.71
20.32 / 800	16.06	19.23	22.64	29.27	29.00	42.14	41.84	81.19	80.17	127.91	127.23	-	12.27	-0.54	-11.31	0.65	-10.12	5.39
22.86 / 900	18.07	21.64	25.48	32.94	32.63	47.42	47.09	91.36	90.21	143.92	143.12	-	13.81	-0.61	-12.72	0.73	-11.39	6.06
25.40 / 1000	20.08	24.06	28.33	36.61	36.27	52.70	52.33	101.53	100.25	159.93	159.13	-	15.35	-0.67	-14.14	0.81	-12.65	6.73

Unit: feet

Screen size (diagonal)	Distance to screen (L)												Height from the edge of screen to center of lens (H)					
	Zoom												Fixed-focus					
	ET-D75LE6 ET-D3LEW60 Zoom lens		ET-D75LE10 Zoom lens		ET-D75LE20 ET-D3LES20 Zoom lens		ET-D75LE30 Zoom lens		ET-D75LE40 Zoom lens		ET-D75LE8 ET-D3LET80 Zoom lens		ET-D75LE50 ET-D3LEW50 Fixed-focus lens		Zoom lenses Except ET-D75LE6 ET-D3LEW60		ET-D75LE6 ET-D3LEW60	ET-D75LE50 ET-D3LEW50 Zoom lens
[m] / [in]	min.	max.	min.	max.	min.	max.	min.	max.	min.	max.	min.	max.	min.	max.	min.	max.	min.	max.
1.78 / 70	4.4	5.3	6.2	8.1	8.1	11.7	11.7	22.8	22.5	36.2	35.4	67.5	3.3	-0.2	-3.2	0.2	-2.9	1.6
2.03 / 80	5.1	6.1	7.2	9.3	9.3	13.5	13.4	26.1	25.8	41.5	40.6	77.3	3.8	-0.2	-3.7	0.2	-3.3	1.8
2.29 / 90	5.8	6.9	8.1	10.5	10.5	15.2	15.1	29.5	29.1	46.7	45.8	87.1	4.3	-0.2	-4.2	0.2	-3.7	2.0
2.54 / 100	6.4	7.7	9.0	11.7	11.7	16.9	16.8	32.8	32.4	52.0	51.1	96.9	4.8	-0.2	-4.6	0.3	-4.2	2.2
3.05 / 120	7.7	9.3	10.9	14.1	14.0	20.4	20.3	39.5	39.0	62.5	61.5	116.5	5.8	-0.3	-5.6	0.3	-5.0	2.7
3.81 / 150	9.7	11.6	13.7	17.7	17.6	25.6	25.4	49.5	48.9	78.3	77.2	145.9	7.3	-0.3	-7.0	0.4	-6.2	3.3
5.08 / 200	13.0	15.6	18.4	23.7	23.6	34.3	34.0	66.2	65.4	104.5	103.4	194.9	9.8	-0.4	-9.3	0.5	-8.3	4.4
6.35 / 250	16.3	19.6	23.0	29.8	29.5	42.9	42.6	82.8	81.8	130.8	129.6	244.0	12.3	-0.6	-11.6	0.7	-10.4	5.5
7.62 / 300	19.6	23.5	27.7	35.8	35.5	51.6	51.2	99.5	98.3	157.0	155.7	293.0	14.9	-0.7	-13.9	0.8	-12.5	6.6
8.89 / 350	22.9	27.5	32.3	41.8	41.5	60.3	59.8	116.2	114.8	183.3	181.9	342.0	17.5	-0.8	-16.2	0.9	-14.5	7.7
10.16 / 400	26.2	31.4	37.0	47.8	47.4	68.9	68.5	132.9	131.3	209.6	208.1	391.0	20.0	-0.9	-18.6	1.1	-16.6	8.8
12.70 / 500	32.9	39.3	46.3	59.9	59.4	86.3	85.7	166.3	164.2	262.1	260.4	489.1	25.1	-1.1	-23.2	1.3	-20.8	11.0
15.24 / 600	39.5	47.3	55.6	71.9	71.3	103.6	102.9	199.6	197.1	314.6	312.7	587.1	30.1	-1.3	-27.8	1.6	-24.9	13.3
17.78 / 700	46.1	55.2	65.0	84.0	83.2	120.9	120.1	233.0	230.1	367.1	365.1	-	35.2	-1.5	-32.5	1.9	-29.1	15.5
20.32 / 800	52.7	63.1	74.3	96.0	95.1	138.3	137.3	266.4	263.0	419.6	417.4	-	40.2	-1.8	-37.1	2.1	-33.2	17.7
22.86 / 900	59.3	71.0	83.6	108.1	107.1	155.6	154.5	299.7	296.0	472.2	469.5	-	45.3	-2.0	-41.7	2.4	-37.4	19.9
25.40 / 1000	65.9	78.9	92.9	120.1	119.0	172.9	171.7	333.1	328.9	524.7	522.1	-	50.4	-2.2	-46.4	2.7	-41.5	22.1

- The value for L (distance to screen) varies slightly within ±5% depending on the zoom lens characteristics.
- At the shortest projection distance, the zoom lens characteristics may cause slight image distortion.
- When vertical keystone correction is used, the image is corrected in the direction that reduces its projected size.

NOTE: When the ET-D75LE50/ET-D3LEW50 is mounted, the optical lens shift function cannot be used.

Projection distance for 16:9 aspect ratio screen

(ET-D75LE6/ET-D3LEW60/D75LE10/D75LE20/ET-D3LES20/D75LE30/D75LE40/D75LE8/ET-D3LET80/D75LE50/ET-D3LEW50)

Unit: meters

Screen size (diagonal)	Distance to screen (L)												Height from the edge of screen to center of lens (H)					
	Zoom												Fixed-focus					
	ET-D75LE6 ET-D3LEW60 Zoom lens		ET-D75LE10 Zoom lens		ET-D75LE20 ET-D3LES20 Zoom lens		ET-D75LE30 Zoom lens		ET-D75LE40 Zoom lens		ET-D75LE8 ET-D3LET80 Zoom lens		ET-D75LE50 ET-D3LEW50 Fixed-focus lens		Zoom lenses Except ET-D75LE6 ET-D3LEW60		ET-D75LE50 ET-D3LEW50 Zoom lens	
[m] / [in]	min.	max.	min.	max.	min.	max.	min.	max.	min.	max.	min.	max.	min.	max.	min.	max.	min.	max.
1.78 / 70	1.39	1.66	1.96	2.53	2.53	3.68	3.66	7.14	7.07	11.36	11.09	21.14	1.04	-0.09	-0.96	0.00	-0.87	0.44
2.03 / 80	1.60	1.91	2.25	2.91	2.91	4.23	4.20	8.19	8.10	13.00	12.73	24.22	1.20	-0.10	-1.10	0.00	-1.00	0.50
2.29 / 90	1.81	2.16	2.54	3.29	3.28	4.77	4.74	9.23	9.13	14.65	14.37	27.29	1.36	-0.11	-1.23	0.00	-1.12	0.56
2.54 / 100	2.01	2.41	2.83	3.67	3.65	5.31	5.28	10.28	10.16	16.29	16.01	30.36	1.51	-0.13	-1.37	0.00	-1.25	0.62
3.05 / 120	2.43	2.90	3.42	4.42	4.40	6.40	6.36	12.37	12.23	19.58	19.29	36.50	1.83	-0.15	-1.64	0.00	-1.49	0.75
3.81 / 150	3.05	3.65	4.29	5.55	5.52	8.03	7.97	15.50	15.32	24.52	24.21	45.72	2.31	-0.19	-2.06	0.00	-1.87	0.93
5.08 / 200	4.08	4.89	5.76	7.44	7.39	10.74	10.67	20.73	20.48	32.75	32.40	61.08	3.10	-0.25	-2.74	0.00	-2.49	1.25
6.35 / 250	5.12	6.13	7.22	9.33	9.26	13.46	13.36	25.96	25.64	40.97	40.60	76.44	3.89	-0.31	-3.42	0.00	-3.11	1.56
7.62 / 300	6.15	7.37	8.68	11.21	11.13	16.17	16.06	31.18	30.80	49.20	48.80	91.79	4.68	-0.37	-4.11	0.00	-3.74	1.87
8.89 / 350	7.19	8.61	10.13	13.10	12.99	18.88	18.75	36.41	35.96	57.43	57.00	107.15	5.48	-0.44	-4.79	0.00	-4.36	2.18
10.16 / 400	8.22	9.85	11.60	14.99	14.86	21.60	21.45	41.64	41.12	65.65	65.19	122.51	6.29	-0.50	-5.48	0.00	-4.98	2.49
12.70 / 500	10.29	12.33	14.52	18.76	18.60	27.03	26.84	52.09	51.44	82.11	81.59	153.23	7.85	-0.62	-6.85	0.00	-6.23	3.11
15.24 / 600	12.36	14.81	17.44	22.54	22.33	32.46	32.23	62.54	61.76	98.56	97.98	183.95	9.44	-0.75	-8.22	0.00	-7.47	3.74
17.78 / 700	14.43	17.29	20.36	26.31	26.07	37.89	37.62	73.00	72.09	115.02	114.38	-	11.02	-0.87	-9.59	0.00	-8.72	4.36
20.32 / 800	16.50	19.77	23.28	30.09	29.81	43.31	43.01	83.45	82.45	131.47	130.77	-	12.61	-1.00	-10.96	0.00	-9.96	4.98
22.86 / 900	18.57	22.25	26.20	33.86	33.54	48.74	48.40	93.90	92.73	147.92	147.17	-	14.19	-1.12	-12.33	0.00	-11.21	5.60
25.40 / 1000	20.64	24.73	29.12	37.64	37.28	54.17	53.79	104.36	103.05	164.38	163.56	-	15.78	-1.25	-13.70	0.00	-12.45	6.23

Unit: feet

Screen size (diagonal)	Distance to screen (L)												Height from the edge of screen to center of lens (H)					
	Zoom												Fixed-focus					
	ET-D75LE6 ET-D3LEW60 Zoom lens		ET-D75LE10 Zoom lens		ET-D75LE20 ET-D3LES20 Zoom lens		ET-D75LE30 Zoom lens		ET-D75LE40 Zoom lens		ET-D75LE8 ET-D3LET80 Zoom lens		ET-D75LE50 ET-D3LEW50 Fixed-focus lens		Zoom lenses Except ET-D75LE6 ET-D3LEW60		ET-D75LE50 ET-D3LEW50 Zoom lens	
[m] / [in]	min.	max.	min.	max.	min.	max.	min.	max.	min.	max.	min.	max.	min.	max.	min.	max.	min.	max.
1.78 / 70	4.6	5.5	6.4	8.3	8.3	12.1	12.0	23.4	23.2	37.3	36.4	69.4	3.4	-0.3	-3.2	0.0	-2.9	1.4
2.03 / 80	5.2	6.3	7.4	9.6	9.5	13.9	13.8	26.9	26.6	42.7	41.8	79.4	3.9	-0.3	-3.6	0.0	-3.3	1.6
2.29 / 90	5.9	7.1	8.3	10.8	10.8	15.6	15.5	30.3	30.0	48.1	47.1	89.5	4.4	-0.4	-4.1	0.0	-3.7	1.8
2.54 / 100	6.6	7.9	9.3	12.0	12.0	17.4	17.3	33.7	33.3	53.5	52.5	99.6	5.0	-0.4	-4.5	0.0	-4.1	2.0
3.05 / 120	8.0	9.5	11.2	14.5	14.4	21.0	20.8	40.6	40.1	64.2	63.3	119.8	6.0	-0.5	-5.4	0.0	-4.9	2.5
3.81 / 150	10.0	12.0	14.1	18.2	18.1	26.3	26.2	50.9	50.3	80.4	79.4	150.0	7.6	-0.6	-6.7	0.0	-6.1	3.1
5.08 / 200	13.4	16.0	18.9	24.4	24.2	35.2	35.0	68.0	67.2	107.4	106.3	200.4	10.2	-0.8	-9.0	0.0	-8.2	4.1
6.35 / 250	16.8	20.1	23.7	30.6	30.4	44.1	43.8	85.2	84.1	134.4	133.2	250.8	12.8	-1.0	-11.2	0.0	-10.2	5.1
7.62 / 300	20.2	24.2	28.5	36.8	36.5	53.1	52.7	102.3	101.1	161.4	160.1	301.2	15.4	-1.2	-13.5	0.0	-12.3	6.1
8.89 / 350	23.6	28.2	33.3	43.0	42.6	62.0	61.5	119.5	118.0	188.4	187.0	351.6	18.0	-1.4	-15.7	0.0	-14.3	7.2
10.16 / 400	27.0	32.3	38.0	49.2	48.8	70.9	70.4	136.6	134.9	215.4	213.9	401.9	20.6	-1.6	-18.0	0.0	-16.3	8.2
12.70 / 500	33.8	40.4	47.6	61.6	61.0	88.7	88.0	170.9	168.8	269.4	267.7	502.7	25.8	-2.0	-22.5	0.0	-20.4	10.2
15.24 / 600	40.6	48.6	57.2	73.9	73.3	106.5	105.7	205.2	202.6	323.4	321.5	603.5	31.0	-2.5	-27.0	0.0	-24.5	12.3
17.78 / 700	47.4	56.7	66.8	86.3	85.5	124.3	123.4	239.5	236.5	377.3	375.3	-	36.2	-2.9	-31.5	0.0	-28.6	14.3
20.32 / 800	54.1	64.8	76.4	98.7	97.8	142.1	141.1	273.8	270.5	431.3	429.0	-	41.4	-3.3	-36.0	0.0	-32.7	16.3
22.86 / 900	60.9	73.0	85.9	111.1	110.0	159.9	158.8	308.1	304.2	485.3	482.8	-	46.6	-3.7	-40.4	0.0	-36.8	18.4
25.40 / 1000	67.7	81.1	95.5	123.5	122.3	177.7	176.5	342.4	338.1	539.3	536.6	-	51.8	-4.1	-44.9	0.0	-40.9	20.4

- The value for L (distance to screen) varies slightly within ±5% depending on the zoom lens characteristics.
- At the shortest projection distance, the zoom lens characteristics may cause slight image distortion.
- When vertical keystone correction is used, the image is corrected in the direction that reduces its projected size.

NOTE: When the ET-D75LE50/ET-D3LEW50 is mounted, the optical lens shift function cannot be used.

Calculation of the projection distance

For a screen size different from the above, use the equation below to calculate the projection distance.

Aspect ratio 16:10

Zoom lenses

ET-D75LE6	minimum	$L (m) = (\text{diagonal screen size in inches}) \times 0.0201 - 0.0566$
ET-D3LEW60	maximum	$L (m) = (\text{diagonal screen size in inches}) \times 0.0241 - 0.0736$
ET-D75LE10	minimum	$L (m) = (\text{diagonal screen size in inches}) \times 0.0284 - 0.0857$
	maximum	$L (m) = (\text{diagonal screen size in inches}) \times 0.0367 - 0.1085$
ET-D75LE20	minimum	$L (m) = (\text{diagonal screen size in inches}) \times 0.0364 - 0.0832$
ET-D3LES20	maximum	$L (m) = (\text{diagonal screen size in inches}) \times 0.0528 - 0.1162$
ET-D75LE30	minimum	$L (m) = (\text{diagonal screen size in inches}) \times 0.0524 - 0.1131$
	maximum	$L (m) = (\text{diagonal screen size in inches}) \times 0.1017 - 0.1765$
ET-D75LE40	minimum	$L (m) = (\text{diagonal screen size in inches}) \times 0.1004 - 0.1577$
	maximum	$L (m) = (\text{diagonal screen size in inches}) \times 0.1601 - 0.1615$
ET-D75LE8	minimum	$L (m) = (\text{diagonal screen size in inches}) \times 0.1595 - 0.3862$
ET-D3LET80	maximum	$L (m) = (\text{diagonal screen size in inches}) \times 0.2989 - 0.3598$

Fixed-focus lens

ET-D75LE50/ET-D3LEW50	$L (m) = (\text{diagonal screen size in inches}) \times 0.0154 - 0.0713$
-----------------------	--

Aspect ratio 16:9

Zoom lenses

ET-D75LE6	minimum	$L (m) = (\text{diagonal screen size in inches}) \times 0.0207 - 0.0566$
ET-D3LEW60	maximum	$L (m) = (\text{diagonal screen size in inches}) \times 0.0248 - 0.0736$
ET-D75LE10	minimum	$L (m) = (\text{diagonal screen size in inches}) \times 0.0292 - 0.0857$
	maximum	$L (m) = (\text{diagonal screen size in inches}) \times 0.0377 - 0.1085$
ET-D75LE20	minimum	$L (m) = (\text{diagonal screen size in inches}) \times 0.0374 - 0.0832$
ET-D3LES20	maximum	$L (m) = (\text{diagonal screen size in inches}) \times 0.0543 - 0.1162$
ET-D75LE30	minimum	$L (m) = (\text{diagonal screen size in inches}) \times 0.0539 - 0.1131$
	maximum	$L (m) = (\text{diagonal screen size in inches}) \times 0.1045 - 0.1765$
ET-D75LE40	minimum	$L (m) = (\text{diagonal screen size in inches}) \times 0.1032 - 0.1577$
	maximum	$L (m) = (\text{diagonal screen size in inches}) \times 0.1645 - 0.1615$
ET-D75LE8	minimum	$L (m) = (\text{diagonal screen size in inches}) \times 0.1640 - 0.3862$
ET-D3LET80	maximum	$L (m) = (\text{diagonal screen size in inches}) \times 0.3072 - 0.3598$

Fixed-focus lens

ET-D75LE50/ET-D3LEW50	$L (m) = (\text{diagonal screen size in inches}) \times 0.0159 - 0.0713$
-----------------------	--

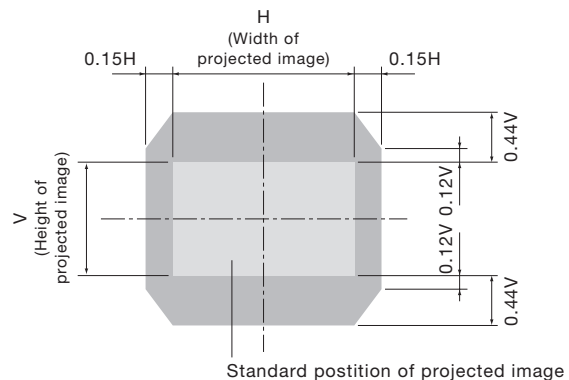
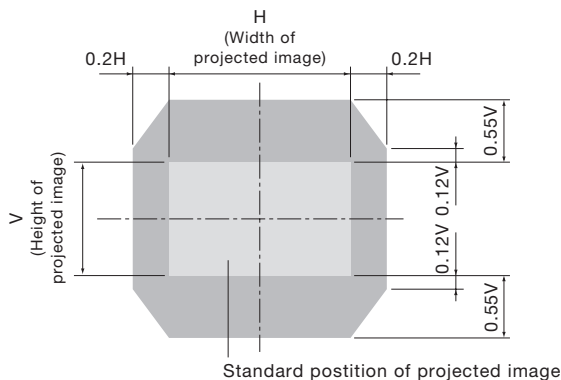
• Distances calculated with the above equations will include slight deviations.

Shift range

Lens Shift function allows to shift the position of a projected image as shown below.

- When the lens except the ET-D75LE6, ET-D3LEW60 is mounted

- When the ET-D75LE6, ET-D3LEW60 is mounted



NOTE: Because the ET-D75LE50/ET-D3LEW50 is a fixed short-throw lens, the lens shift function cannot be used with it.

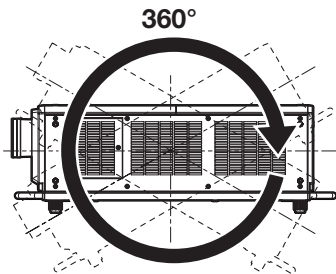
Caution:

- For details on the optional lens, and lens of ET-D75LE95, ET-D3LEF70, ET-D3LEW10, ET-D3LET30, ET-D3LET40 see the Spec File for each lens.

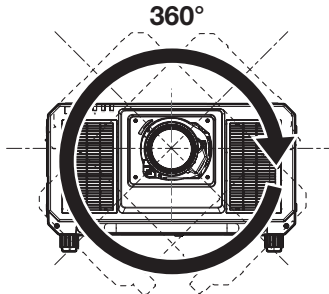
Installable angle

Install the projector at an angle within the range shown below.

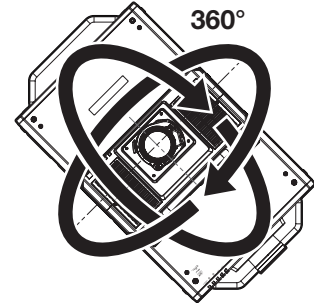
FULL 360-degree projection



Vertical 360-deg.



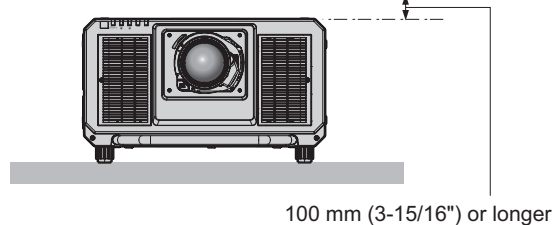
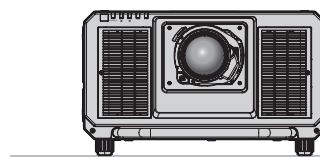
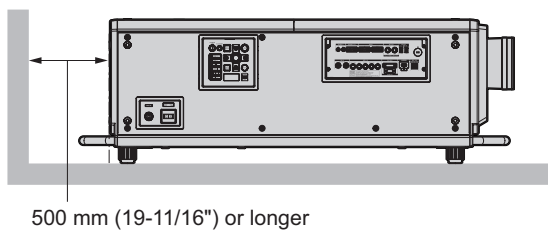
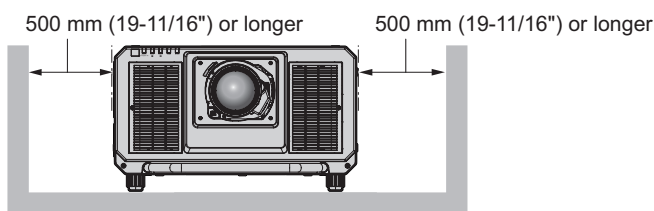
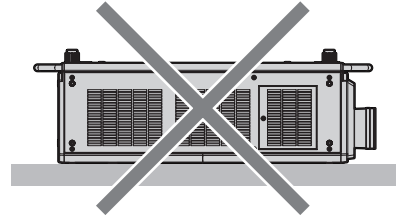
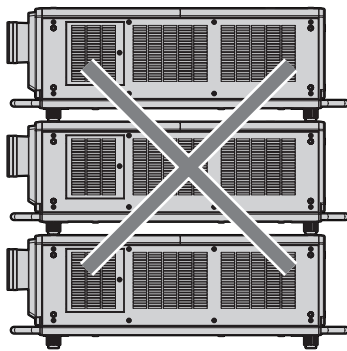
Horizontal 360-deg.



Tilting 360-deg.
(V&H combination)

Notes on projector placement and operation

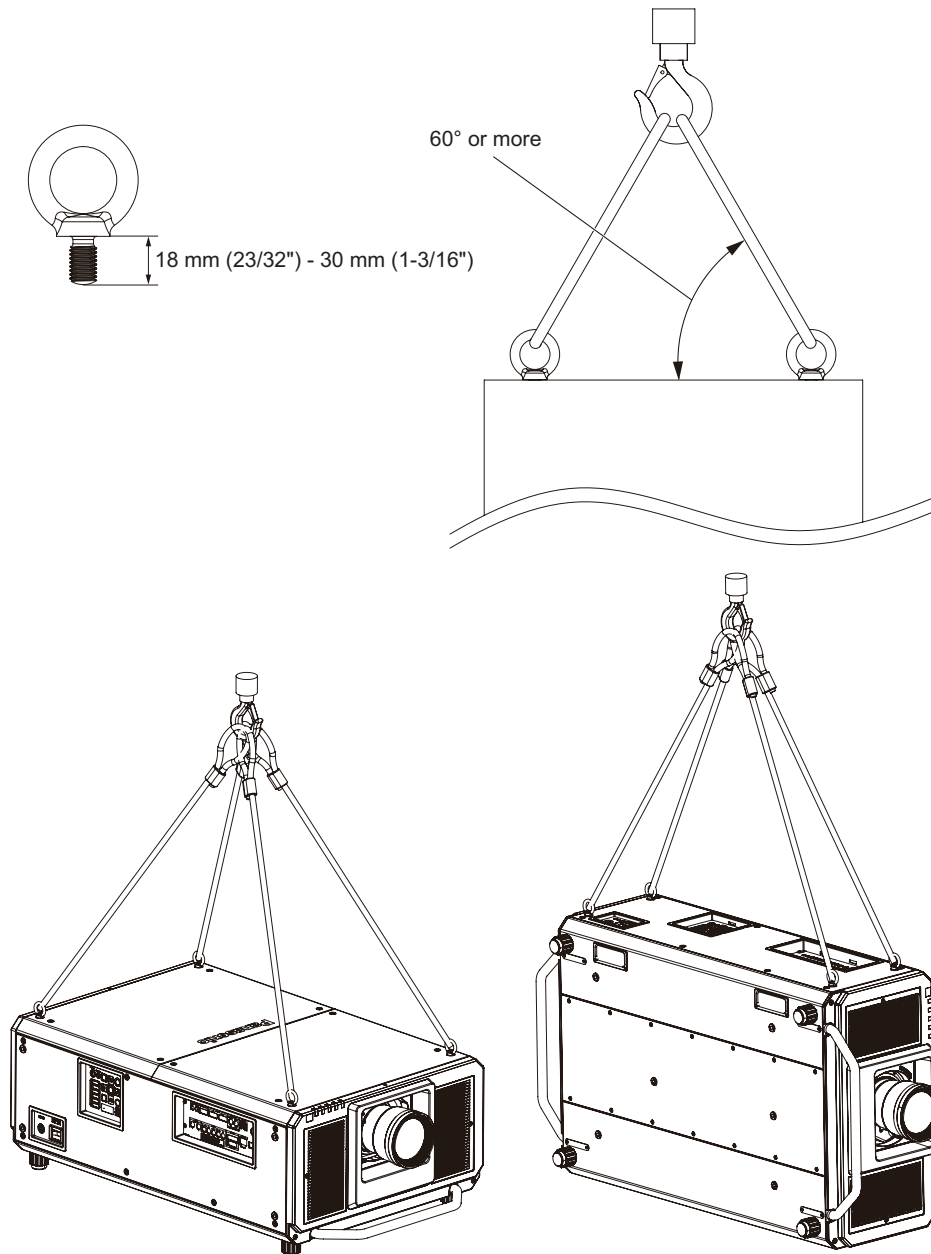
- Prevent hot and cool air from the air conditioning system to blow directly to the ventilation ports (intake and exhaust) of the projector.



- Do not install the projector in a confined space. When installing the projector in a confined space, provide air conditioning or ventilation separately. Exhaust heat may accumulate when the ventilation is not enough, triggering the protection circuit of the projector.

Cautions when conducting lifting work

- Use the eyebolts only when temporarily lifting the projector such as when installing the projector.
- Use ISO standard eyebolts (commercially available) for the M10 with an underhead length of 18 mm (23/32") to 30 mm (1-3/16"). Also use ISO standard parts for other components to lift the projector (wires, etc.).
- Lift the projector using the eyebolts attached to 4 locations on the same plane.
- Set the lifting angle to 60° or more.



List of RGB1, RGB2, DVI-D, HDMI, DigitalLink compatible signals

Compatible signal	Resolution (Dots)	Scanning freq.		Dot clock freq. (MHz)	VIDEO (RGB1)	Y/C (RGB1)	Input terminal			
		H (KHz)	V (Hz)				RGB 1	RGB 2	DVI-D	HDMI DIGITAL LINK
"NTSC/NTSC4.43/ PAL-M/PAL60"	720 x 480i	15.7	59.9	-	✓	✓	-	-	-	-
PAL/PAL-N/SECAM	720 x 576i	15.6	50.0	-	✓	✓	-	-	-	-
480/60i	720 x 480i	15.7	59.9	13.5	-	-	✓	✓	-	-
576/50i	720 x 576i	15.6	50.0	13.5	-	-	✓	✓	-	-
480/60i	720(1440) x 480i*1	15.7	59.9	27.0	-	-	-	-	✓	✓
576/50i	720(1440) x 576i*1	15.6	50.0	27.0	-	-	-	-	✓	✓
480/60p	720 x 480	31.5	59.9	27.0	-	-	✓	✓	✓	✓
576/50p	720 x 576	31.3	50.0	27.0	-	-	✓	✓	✓	✓
720/60p	1280 x 720	45.0	60.0	74.3	-	-	✓	✓	✓	✓
720/50p	1280 x 720	37.5	50.0	74.3	-	-	✓	✓	✓	✓
1080/60i	1920 x 1080i	33.8	60.0	74.3	-	-	✓	✓	✓	✓
1080/50i	1920 x 1080i	28.1	50.0	74.3	-	-	✓	✓	✓	✓
1080/24p	1920 x 1080	27.0	24.0	74.3	-	-	✓	✓	✓	✓
1080/24sF	1920 x 1080i	27.0	48.0	74.3	-	-	✓	✓	✓	✓
1080/25p	1920 x 1080	28.1	25.0	74.3	-	-	✓	✓	✓	✓
1080/30p	1920 x 1080	33.8	30.0	74.3	-	-	✓	✓	✓	✓
1080/60p	1920 x 1080	67.5	60.0	148.5	-	-	✓	✓	✓	✓
1080/50p	1920 x 1080	56.3	50.0	148.5	-	-	✓	✓	✓	✓
640x400/70	640 x 400	31.5	70.1	25.2	-	-	✓	✓	✓	✓
640 x 400/85	640 x 400	37.9	85.1	31.5	-	-	✓	✓	✓	✓
640 x 480/60	640 x 480	31.5	59.9	25.2	-	-	✓	✓	✓	✓
640 x 480/67	640 x 480	35.0	66.7	30.2	-	-	✓	✓	✓	✓
640 x 480/73	640 x 480	37.9	72.8	31.5	-	-	✓	✓	✓	✓
640 x 480/75	640 x 480	37.5	75.0	31.5	-	-	✓	✓	✓	✓
640 x 480/85	640 x 480	43.3	85.0	36.0	-	-	✓	✓	✓	✓
800 x 600/56	800 x 600	35.2	56.3	36.0	-	-	✓	✓	✓	✓
800 x 600/60	800 x 600	37.9	60.3	40.0	-	-	✓	✓	✓	✓
800 x 600/72	800 x 600	48.1	72.2	50.0	-	-	✓	✓	✓	✓
800 x 600/75	800 x 600	46.9	75.0	49.5	-	-	✓	✓	✓	✓
800 x 600/85	800 x 600	53.7	85.1	56.3	-	-	✓	✓	✓	✓
832 x 624/75	832 x 624	49.7	74.6	57.3	-	-	✓	✓	✓	✓
1024 x 768/50	1024 x 768	39.6	50.0	51.9	-	-	✓	✓	✓	✓
1024 x 768/60	1024 x 768	48.4	60.0	65.0	-	-	✓	✓	✓	✓
1024 x 768/70	1024 x 768	56.5	70.1	75.0	-	-	✓	✓	✓	✓
1024 x 768/75	1024 x 768	60.0	75.0	78.8	-	-	✓	✓	✓	✓
1024 x 768/82	1024 x 768	65.5	81.6	86.0	-	-	✓	✓	✓	✓
1024 x 768/85	1024 x 768	68.7	85.0	94.5	-	-	✓	✓	✓	✓
1024 x 768/100	1024 x 768*3	81.4	100.0	113.3	-	-	✓	✓	✓	✓
1024 x 768/120	1024 x 768*3	98.8	120.0	139.1	-	-	✓	✓	✓	✓
1152 x 864/60	1152 x 864	53.7	60.0	81.6	-	-	✓	✓	✓	✓
1152 x 864/70	1152 x 864	64.0	70.0	94.2	-	-	✓	✓	✓	✓
1152 x 864/75	1152 x 864	67.5	75.0	108.0	-	-	✓	✓	✓	✓
1152 x 864/85	1152 x 864	77.1	85.0	119.7	-	-	✓	✓	✓	✓
1152 x 870/75	1152 x 870	68.7	75.1	100.0	-	-	✓	✓	✓	✓
1280 x 720/50	1280 x 720	37.1	49.8	60.5	-	-	✓	✓	✓	✓
1280 x 720/60	1280 x 720	44.8	59.9	74.5	-	-	✓	✓	✓	✓
1280 x 720/100	1280 x 720*3	76.3	100.0	131.8	-	-	✓	✓	✓	✓
1280 x 720/120	1280 x 720*3	92.6	120.0	161.6	-	-	✓	✓	✓	✓
1280 x 768/50	1280 x 768	39.6	49.9	65.3	-	-	✓	✓	✓	✓
1280 x 768/60	1280 x 768	47.8	59.9	79.5	-	-	✓	✓	✓	✓
1280 x 768/75	1280 x 768*2	47.4	60.0	68.3	-	-	✓	✓	✓	✓
1280 x 768/85	1280 x 768	60.3	74.9	102.3	-	-	✓	✓	✓	✓
1280 x 768/85	1280 x 768	68.6	84.8	117.5	-	-	✓	✓	✓	✓
1280 x 800/50	1280 x 800	41.3	50.0	68.0	-	-	✓	✓	✓	✓
1280 x 800/60	1280 x 800	49.7	59.8	83.5	-	-	✓	✓	✓	✓
1280 x 800/75	1280 x 800*2	49.3	59.9	71.0	-	-	✓	✓	✓	✓
1280 x 800/75	1280 x 800	62.8	74.9	106.5	-	-	✓	✓	✓	✓

Compatible signal	Resolution (Dots)	Scanning freq.		Dot clock freq. (MHz)	VIDEO (RGB1)	Y/C (RGB1)	Input terminal			
		H (KHz)	V (Hz)				RGB 1	RGB 2	DVI-D	HDMI DIGITAL LINK
1280 x 800/85	1280 x 800	71.6	84.9	122.5	-	-	✓	✓	✓	✓
1280 x 960/60	1280 x 960	60.0	60.0	108.0	-	-	✓	✓	✓	✓
1280 x 1024/50	1280 x 1024	52.4	50.0	88.0	-	-	✓	✓	✓	✓
1280 x 1024/60	1280 x 1024	64.0	60.0	108.0	-	-	✓	✓	✓	✓
1280 x 1024/66	1280 x 1024	72.3	66.3	125.0	-	-	✓	✓	✓	✓
1280 x 1024/72	1280 x 1024	78.2	72.0	135.1	-	-	✓	✓	✓	✓
1280 x 1024/75	1280 x 1024	80.0	75.0	135.0	-	-	✓	✓	✓	✓
1280 x 1024/85	1280 x 1024	91.1	85.0	157.5	-	-	✓	✓	✓	✓
1366 x 768/50	1366 x 768	39.6	49.9	69.0	-	-	✓	✓	✓	✓
1366 x 768/60	1366 x 768	47.7	59.8	85.5	-	-	✓	✓	✓	✓
1400 x 1050/50	1400 x 1050	54.1	50.0	99.9	-	-	✓	✓	✓	✓
1400 x 1050/60	1400 x 1050	64.0	60.0	108.0	-	-	✓	✓	✓	✓
	1400 x 1050	65.2	60.0	122.6	-	-	✓	✓	✓	✓
	1400 x 1050	65.3	60.0	121.8	-	-	✓	✓	✓	✓
1400 x 1050/72	1400 x 1050	78.8	72.0	149.3	-	-	✓	✓	✓	✓
1400 x 1050/75	1400 x 1050	82.2	75.0	155.9	-	-	✓	✓	✓	✓
1440 x 900/50	1440 x 900	46.3	49.9	86.8	-	-	✓	✓	✓	✓
1440 x 900/60	1440 x 900	55.9	59.9	106.5	-	-	✓	✓	✓	✓
1600 x 900/50	1600 x 900	46.4	49.9	96.5	-	-	✓	✓	✓	✓
1600 x 900/60	1600 x 900	55.9	60.0	119.0	-	-	✓	✓	✓	✓
1600 x 1200/50	1600 x 1200	61.8	49.9	131.5	-	-	✓	✓	✓	✓
1600 x 1200/60	1600 x 1200	75.0	60.0	162.0	-	-	✓	✓	✓	✓
1680 x 1050/50	1680 x 1050	54.1	50.0	119.5	-	-	✓	✓	✓	✓
1680 x 1050/60	1680 x 1050	65.3	60.0	146.3	-	-	✓	✓	✓	✓
1920 x 1080/50	1920 x 1080	55.6	49.9	141.5	-	-	✓	✓	✓	✓
1920 x 1080/60	1920 x 1080*2	66.6	59.9	138.5	-	-	✓	✓	✓	✓
	1920 x 1080*4	67.2	60.0	173.0	-	-	✓	✓	-	-
1920 x 1200/50	1920 x 1200	61.8	49.9	158.3	-	-	✓	✓	✓	✓
1920 x 1200/60	1920 x 1200*4	74.6	59.9	193.3	-	-	✓	✓	-	-
1920 x 1200/60RB	1920 x 1200*2	74.0	60.0	154.0	-	-	✓	✓	✓	✓

*1 Pixel-Repetition signal (dot clock frequency 27.0 MHz) only

*2 VESA CVT-RB (Reduced Blanking)-compliant.

*3 Image is displayed as 3D image in the frame sequential format when [3D INPUT FORMAT] is set to [AUTO]. To display images in 2D, set [3D INPUT FORMAT] to [NATIVE].

*4 Image resolution is reduced by the image processing circuit before projection.

List of SDI compatible signals

•Single link

Compatible signal	Resolution (Dots)	Scanning freq.		Dot clock freq. (MHz)	Format	Color space	Sampling
		H (KHz)	V (Hz)				
480/60i	720 x 480i	15.7	59.9	27.0	SD-SDI	YCbCr	4:2:2 10bit
576/50i	720 x 576i	15.6	50.0	27.0	SD-SDI	YCbCr	4:2:2 10bit
720/60p	1280 x 720	45.0	60.0*1	74.3	HD-SDI	YPbPr	4:2:2 10bit
720/50p	1280 x 720	37.5	50.0	74.3	HD-SDI	YPbPr	4:2:2 10bit
1080/60i	1920 x 1080i	33.8	60.0*1	74.3	HD-SDI	YPbPr	4:2:2 10bit
	1920 x 1080i	33.8	60.0*1	74.3	3G-SDI Level-A	RGB	4:4:4 10bit
	1920 x 1080i	33.8	60.0*1	74.3	3G-SDI Level-B	RGB	4:4:4 10bit
	1920 x 1080i	33.8	60.0*1	74.3	3G-SDI Level-A	RGB	4:4:4 12bit
	1920 x 1080i	33.8	60.0*1	74.3	3G-SDI Level-B	RGB	4:4:4 12bit
1080/50i	1920 x 1080i	28.1	50.0	74.3	HD-SDI	YPbPr	4:2:2 10bit
	1920 x 1080i	28.1	50.0	74.3	3G-SDI Level-A	RGB	4:4:4 10bit
	1920 x 1080i	28.1	50.0	74.3	3G-SDI Level-B	RGB	4:4:4 10bit
	1920 x 1080i	28.1	50.0	74.3	3G-SDI Level-A	RGB	4:4:4 12bit
	1920 x 1080i	28.1	50.0	74.3	3G-SDI Level-B	RGB	4:4:4 12bit
1080/24p	1920 x 1080	27.0	24.0*1	74.3	HD-SDI	YPbPr	4:2:2 10bit
	1920 x 1080	27.0	24.0*1	74.3	3G-SDI Level-A	RGB	4:4:4 10bit
	1920 x 1080	27.0	24.0*1	74.3	3G-SDI Level-B	RGB	4:4:4 10bit
	1920 x 1080	27.0	24.0*1	74.3	3G-SDI Level-A	RGB	4:4:4 12bit
	1920 x 1080	27.0	24.0*1	74.3	3G-SDI Level-B	RGB	4:4:4 12bit

Compatible signal	Resolution (Dots)	Scanning freq.		Dot clock freq. (MHz)	Format	Color space	Sampling
		H (KHz)	V (Hz)				
1080/24sF	1920 x 1080i	27.0	48.0*1	74.3	HD-SDI	YPbPr	4:2:2 10bit
	1920 x 1080i	27.0	48.0*1	74.3	3G-SDI Level-A	RGB	4:4:4 10bit
	1920 x 1080i	27.0	48.0*1	74.3	3G-SDI Level-B	RGB	4:4:4 10bit
	1920 x 1080i	27.0	48.0*1	74.3	3G-SDI Level-A	RGB	4:4:4 12bit
	1920 x 1080i	27.0	48.0*1	74.3	3G-SDI Level-B	RGB	4:4:4 12bit
1080/25p	1920 x 1080	28.1	25.0	74.3	HD-SDI	YPbPr	4:2:2 10bit
	1920 x 1080	28.1	25.0	74.3	3G-SDI Level-A	RGB	4:4:4 10bit
	1920 x 1080	28.1	25.0	74.3	3G-SDI Level-B	RGB	4:4:4 10bit
	1920 x 1080	28.1	25.0	74.3	3G-SDI Level-A	RGB	4:4:4 12bit
	1920 x 1080	28.1	25.0	74.3	3G-SDI Level-B	RGB	4:4:4 12bit
1080/30p	1920 x 1080	33.8	30.0*1	74.3	HD-SDI	YPbPr	4:2:2 10bit
	1920 x 1080	33.8	30.0*1	74.3	3G-SDI Level-A	RGB	4:4:4 10bit
	1920 x 1080	33.8	30.0*1	74.3	3G-SDI Level-B	RGB	4:4:4 10bit
	1920 x 1080	33.8	30.0*1	74.3	3G-SDI Level-A	RGB	4:4:4 12bit
	1920 x 1080	33.8	30.0*1	74.3	3G-SDI Level-B	RGB	4:4:4 12bit
1080/60p	1920 x 1080	67.5	60.0*1	148.5	3G-SDI Level-A	YPbPr	4:2:2 10bit
	1920 x 1080	67.5	60.0*1	148.5	3G-SDI Level-B	YPbPr	4:2:2 10bit
1080/50p	1920 x 1080	56.3	50.0	148.5	3G-SDI Level-A	YPbPr	4:2:2 10bit
	1920 x 1080	56.3	50.0	148.5	3G-SDI Level-B	YPbPr	4:2:2 10bit
2K/24p	2048 x 1080	27.0	24.0*1	74.3	3G-SDI Level-A	RGB	4:4:4 10bit
	2048 x 1080	27.0	24.0*1	74.3	3G-SDI Level-B	RGB	4:4:4 10bit
	2048 x 1080	27.0	24.0*1	74.3	3G-SDI Level-A	RGB	4:4:4 12bit
	2048 x 1080	27.0	24.0*1	74.3	3G-SDI Level-B	RGB	4:4:4 12bit
	2048 x 1080	27.0	24.0*1	74.3	3G-SDI Level-A	XYZ	4:4:4 12bit
	2048 x 1080	27.0	24.0*1	74.3	3G-SDI Level-B	XYZ	4:4:4 12bit
2K/25p	2048 x 1080	28.1	25.0	74.3	3G-SDI Level-A	RGB	4:4:4 10bit
	2048 x 1080	28.1	25.0	74.3	3G-SDI Level-B	RGB	4:4:4 10bit
	2048 x 1080	28.1	25.0	74.3	3G-SDI Level-A	RGB	4:4:4 12bit
	2048 x 1080	28.1	25.0	74.3	3G-SDI Level-B	RGB	4:4:4 12bit
	2048 x 1080	28.1	25.0	74.3	3G-SDI Level-A	XYZ	4:4:4 12bit
	2048 x 1080	28.1	25.0	74.3	3G-SDI Level-B	XYZ	4:4:4 12bit
2K/30p	2048 x 1080	33.8	30.0*1	74.3	3G-SDI Level-A	RGB	4:4:4 10bit
	2048 x 1080	33.8	30.0*1	74.3	3G-SDI Level-B	RGB	4:4:4 10bit
	2048 x 1080	33.8	30.0*1	74.3	3G-SDI Level-A	RGB	4:4:4 12bit
	2048 x 1080	33.8	30.0*1	74.3	3G-SDI Level-B	RGB	4:4:4 12bit
	2048 x 1080	33.8	30.0*1	74.3	3G-SDI Level-A	XYZ	4:4:4 12bit
	2048 x 1080	33.8	30.0*1	74.3	3G-SDI Level-B	XYZ	4:4:4 12bit
2K/48p	2048 x 1080	54.0	48.0*1	148.5	3G-SDI Level-A	YPbPr	4:2:2 10bit
	2048 x 1080	54.0	48.0*1	148.5	3G-SDI Level-B	YPbPr	4:2:2 10bit
2K/50p	2048 x 1080	56.3	50.0	148.5	3G-SDI Level-A	YPbPr	4:2:2 10bit
	2048 x 1080	56.3	50.0	148.5	3G-SDI Level-B	YPbPr	4:2:2 10bit
2K/60p	2048 x 1080	67.5	60.0*1	148.5	3G-SDI Level-A	YPbPr	4:2:2 10bit
	2048 x 1080	67.5	60.0*1	148.5	3G-SDI Level-B	YPbPr	4:2:2 10bit

*1 Compatible with VERTICAL SCAN FREQUENCY 1/1.001

List of SDI compatible signals

•Dual link

Compatible signal	Resolution (Dots)	Scanning freq.		Dot clock freq. (MHz)	Format	Color space	Sampling
		H (KHz)	V (Hz)				
1080/60i	1920 x 1080i	33.8	60.0*1	74.3	HD-SDI	RGB	4:4:4 10bit
	1920 x 1080i	33.8	60.0*1	74.3	HD-SDI	RGB	4:4:4 12bit
1080/50i	1920 x 1080i	28.1	50.0	74.3	HD-SDI	RGB	4:4:4 10bit
	1920 x 1080i	28.1	50.0	74.3	HD-SDI	RGB	4:4:4 12bit
1080/24p	1920 x 1080	27.0	24.0*1	74.3	HD-SDI	RGB	4:4:4 10bit
	1920 x 1080	27.0	24.0*1	74.3	HD-SDI	RGB	4:4:4 12bit
1080/24sF	1920 x 1080i	27.0	48.0*1	74.3	HD-SDI	RGB	4:4:4 10bit
	1920 x 1080i	27.0	48.0*1	74.3	HD-SDI	RGB	4:4:4 12bit
1080/25p	1920 x 1080	28.1	25.0	74.3	HD-SDI	RGB	4:4:4 10bit
	1920 x 1080	28.1	25.0	74.3	HD-SDI	RGB	4:4:4 12bit
1080/30p	1920 x 1080	33.8	30.0*1	74.3	HD-SDI	RGB	4:4:4 10bit
	1920 x 1080	33.8	30.0*1	74.3	HD-SDI	RGB	4:4:4 12bit

Compatible signal	Resolution (Dots)	Scanning freq.		Dot clock freq. (MHz)	Format	Color space	Sampling
		H (KHz)	V (Hz)				
1080/60p	1920 x 1080	67.5	60.0*1	148.5	3G-SDI Level-A	YPbPr	4:4:4 10bit
	1920 x 1080	67.5	60.0*1	148.5	3G-SDI Level-B	YPbPr	4:4:4 10bit
	1920 x 1080	67.5	60.0*1	148.5	3G-SDI Level-A	YPbPr	4:4:4 12bit
	1920 x 1080	67.5	60.0*1	148.5	3G-SDI Level-B	YPbPr	4:4:4 12bit
	1920 x 1080	67.5	60.0*1	148.5	3G-SDI Level-A	RGB	4:4:4 10bit
	1920 x 1080	67.5	60.0*1	148.5	3G-SDI Level-B	RGB	4:4:4 10bit
	1920 x 1080	67.5	60.0*1	148.5	3G-SDI Level-A	RGB	4:4:4 12bit
	1920 x 1080	67.5	60.0*1	148.5	3G-SDI Level-B	RGB	4:4:4 12bit
1080/50p	1920 x 1080	56.3	50.0	148.5	3G-SDI Level-A	YPbPr	4:4:4 10bit
	1920 x 1080	56.3	50.0	148.5	3G-SDI Level-B	YPbPr	4:4:4 10bit
	1920 x 1080	56.3	50.0	148.5	3G-SDI Level-A	YPbPr	4:4:4 12bit
	1920 x 1080	56.3	50.0	148.5	3G-SDI Level-B	YPbPr	4:4:4 12bit
	1920 x 1080	56.3	50.0	148.5	3G-SDI Level-A	RGB	4:4:4 10bit
	1920 x 1080	56.3	50.0	148.5	3G-SDI Level-B	RGB	4:4:4 10bit
	1920 x 1080	56.3	50.0	148.5	3G-SDI Level-A	RGB	4:4:4 12bit
	1920 x 1080	56.3	50.0	148.5	3G-SDI Level-B	RGB	4:4:4 12bit
2K/24p	2048 x 1080	27.0	24.0*1	74.25	HD-SDI	RGB	4:4:4 10bit
	2048 x 1080	27.0	24.0*1	74.25	HD-SDI	RGB	4:4:4 12bit
	2048 x 1080	27.0	24.0*1	74.25	HD-SDI	XYZ	4:4:4 12bit
2K/48p	2048 x 1080	54.0	48.0*1	148.5	3G-SDI Level-A	YPbPr	4:4:4 10bit
	2048 x 1080	54.0	48.0*1	148.5	3G-SDI Level-B	YPbPr	4:4:4 10bit
	2048 x 1080	54.0	48.0*1	148.5	3G-SDI Level-A	YPbPr	4:4:4 12bit
	2048 x 1080	54.0	48.0*1	148.5	3G-SDI Level-B	YPbPr	4:4:4 12bit
	2048 x 1080	54.0	48.0*1	148.5	3G-SDI Level-A	RGB	4:4:4 10bit
	2048 x 1080	54.0	48.0*1	148.5	3G-SDI Level-B	RGB	4:4:4 10bit
	2048 x 1080	54.0	48.0*1	148.5	3G-SDI Level-A	RGB	4:4:4 12bit
	2048 x 1080	54.0	48.0*1	148.5	3G-SDI Level-B	RGB	4:4:4 12bit
2K/50p	2048 x 1080	56.3	50.0	148.5	3G-SDI Level-A	YPbPr	4:4:4 10bit
	2048 x 1080	56.3	50.0	148.5	3G-SDI Level-B	YPbPr	4:4:4 10bit
	2048 x 1080	56.3	50.0	148.5	3G-SDI Level-A	YPbPr	4:4:4 12bit
	2048 x 1080	56.3	50.0	148.5	3G-SDI Level-B	YPbPr	4:4:4 12bit
	2048 x 1080	56.3	50.0	148.5	3G-SDI Level-A	RGB	4:4:4 10bit
	2048 x 1080	56.3	50.0	148.5	3G-SDI Level-B	RGB	4:4:4 10bit
	2048 x 1080	56.3	50.0	148.5	3G-SDI Level-A	RGB	4:4:4 12bit
	2048 x 1080	56.3	50.0	148.5	3G-SDI Level-B	RGB	4:4:4 12bit
2K/60p	2048 x 1080	67.5	60.0*1	148.5	3G-SDI Level-A	YPbPr	4:4:4 10bit
	2048 x 1080	67.5	60.0*1	148.5	3G-SDI Level-B	YPbPr	4:4:4 10bit
	2048 x 1080	67.5	60.0*1	148.5	3G-SDI Level-A	YPbPr	4:4:4 12bit
	2048 x 1080	67.5	60.0*1	148.5	3G-SDI Level-B	YPbPr	4:4:4 12bit
	2048 x 1080	67.5	60.0*1	148.5	3G-SDI Level-A	RGB	4:4:4 10bit
	2048 x 1080	67.5	60.0*1	148.5	3G-SDI Level-B	RGB	4:4:4 10bit
	2048 x 1080	67.5	60.0*1	148.5	3G-SDI Level-A	RGB	4:4:4 12bit
	2048 x 1080	67.5	60.0*1	148.5	3G-SDI Level-B	RGB	4:4:4 12bit

*1 Compatible with VERTICAL SCAN FREQUENCY 1/1.001

List of simultaneous input 2D compatible signals

2D compatible signal	Resolution (Dots)	Scanning freq.		Dot clock freq. (MHz)	HDMI/DVI	SDI 1/SDI 2
		H (KHz)	V (Hz)			
1080/60p	1 920 x 1 080	67.5	60	148.5	✓	✓
1080/50p	1 920 x 1 080	56.3	50	148.5	✓	✓
1366 x 768/50	1 366 x 768	39.6	49.9	69	✓	-
1366 x 768/60	1 366 x 768	47.7	59.8	85.5	✓	-
1400 x 1050/50	1 400 x 1 050	54.1	50	99.9	✓	-
1400 x 1050/60	1 400 x 1 050	65.3	60	121.8	✓	-
1920 x 1080/50	1 920 x 1 080	55.6	49.9	141.5	✓	-
1920 x 1080/60	1 920 x 1 080	66.6	59.9	138.5	✓	-
1920 x 1200/50	1 920 x 1 200	61.8	49.9	158.3	✓	-
1920 x 1200/60	1 920 x 1 200	74.0	60	154	✓	-

List of compatible 3D signals

FP: Frame packing format 3G: 3G-SDI Level B simultaneous format
 SBS: Side by side format H-D: HDMI & DVI-D input simultaneous format
 TB: Top and bottom format R1-2: RGB1 & RGB2 input simultaneous format
 LBL: Line by line format S1-2: SDI1 & SDI2 input simultaneous format
 FS: Frame sequential format

3D Compatible signal	Resolution (Dots)	Scanning freq.		Dot clock freq. (MHz)	HDMI				DVI				RGB1/RGB2				SDI1/SDI2				H-D	R1-2	S1-2
		H (KHz)	V (Hz)		FP	SBS*1	TB	FS	SBS*1	TB	LBL	FS	SBS*1	TB	LBL	FS	SBS*1	TB	LBL	3G			
720/60p	1280 x 720	45.0	60.0	74.3	✓	✓	✓	-	✓	✓	✓	-	✓	✓	✓	-	✓	✓	✓	✓	✓	✓	✓
720/50p	1280 x 720	37.5	50.0	74.3	✓	✓	✓	-	✓	✓	✓	-	✓	✓	✓	-	✓	✓	✓	✓	✓	✓	✓
1080/60i	1920 x 1080i	33.8	60.0	74.3	✓	✓	-	-	✓	✓	-	-	✓	✓	-	-	✓	✓	-	✓	✓	✓	✓
1080/50i	1920 x 1080i	28.1	50.0	74.3	✓	✓	-	-	✓	✓	-	-	✓	✓	-	-	✓	✓	-	✓	✓	✓	✓
1080/24p	1920 x 1080	27.0	24.0	74.3	✓	✓	✓	-	✓	✓	-	-	✓	✓	-	-	✓	✓	-	✓	✓	✓	✓
1080/24sF	1920 x 1080i	27.0	24.0	74.3	-	-	-	-	✓	✓	-	-	✓	✓	-	-	✓	✓	-	✓	✓	✓	✓
1080/25p	1920 x 1080	28.1	25.0	74.3	-	-	-	-	✓	✓	-	-	✓	✓	-	-	✓	✓	-	✓	✓	✓	✓
1080/30p	1920 x 1080	33.8	30.0	74.3	-	-	-	-	✓	✓	-	-	✓	✓	-	-	✓	✓	-	✓	✓	✓	✓
1080/60p	1920 x 1080	67.5	60.0	148.5	-	✓	✓	-	✓	✓	-	-	✓	✓	-	-	✓	✓	-	-	✓	✓	✓
1080/50p	1920 x 1080	56.3	50.0	148.5	-	✓	✓	-	✓	✓	-	-	✓	✓	-	-	✓	✓	-	-	✓	✓	✓
640 x 480	640 x 480	31.5	59.9	25.2	-	-	-	-	✓	-	-	-	✓	-	-	-	-	-	-	-	-	-	-
800 x 600	640 x 480	37.9	60.3	40.0	-	-	-	-	✓	-	-	-	✓	-	-	-	-	-	-	-	-	-	-
1024 x 768	1024 x 768	39.6	50.0	51.9	-	-	-	-	✓	-	-	-	✓	-	-	-	-	-	-	-	-	-	-
	1024 x 768	48.4	60.0	65.0	-	-	-	-	✓	-	-	-	✓	-	-	-	-	-	-	-	-	-	-
	1024 x 768	81.4	100.0	113.3	-	-	-	✓	-	-	-	✓	-	-	✓	-	-	-	-	-	-	-	-
	1024 x 768	98.8	120.0	139.1	-	-	-	✓	-	-	-	✓	-	-	✓	-	-	-	-	-	-	-	-
1152 x 864	1152 x 864	53.7	60.0	81.6	-	-	-	-	✓	-	-	-	✓	-	-	-	-	-	-	-	-	-	-
1280 x 720	1280 x 720	37.1	49.8	60.5	-	-	-	-	✓	-	-	-	✓	-	-	-	-	-	-	-	-	-	-
	1280 x 720	44.8	59.9	74.5	-	-	-	-	✓	-	-	-	✓	-	-	-	-	-	-	-	-	-	-
	1280 x 720	76.3	100.0	131.8	-	-	-	✓	-	-	-	✓	-	-	✓	-	-	-	-	-	-	-	-
	1280 x 720	92.6	120.0	161.6	-	-	-	✓	-	-	-	✓	-	-	✓	-	-	-	-	-	-	-	-
1280 x 768	1280 x 768	39.6	49.9	65.3	-	-	-	-	✓	-	-	-	✓	-	-	-	-	-	-	-	-	-	-
	1280 x 768	47.8	59.9	79.5	-	-	-	-	✓	-	-	-	✓	-	-	-	-	-	-	-	-	-	-
	1280 x 768*2	47.4	60.0	68.3	-	-	-	-	✓	-	-	-	✓	-	-	-	-	-	-	-	-	-	-
1280 x 800	1280 x 800	41.3	50.0	68.0	-	-	-	-	✓	-	-	-	✓	-	-	-	-	-	-	-	-	-	-
	1280 x 800	49.7	59.8	83.5	-	-	-	-	✓	-	-	-	✓	-	-	-	-	-	-	-	-	-	-
	1280 x 800*2	49.3	59.9	71.0	-	-	-	-	✓	-	-	-	✓	-	-	-	-	-	-	-	-	-	-
1280 x 960	1280 x 960	60.0	60.0	108.0	-	-	-	-	✓	-	-	-	✓	-	-	-	-	-	-	-	-	-	
1280 x 1024	1280 x 1024	52.4	50.0	88.0	-	-	-	-	✓	-	-	-	✓	-	-	-	-	-	-	-	-	-	-
	1280 x 1024	64.0	60.0	108.0	-	-	-	-	✓	-	-	-	✓	-	-	-	-	-	-	-	-	-	-
1366 x 768	1366 x 768	47.7	59.8	85.5	-	-	-	-	✓	-	-	-	✓	-	-	-	-	-	-	-	-	-	-
	1366 x 768	39.6	49.9	69.0	-	-	-	-	✓	-	-	-	✓	-	-	-	-	-	-	-	-	-	-
1400 x 1050	1400 x 1050	54.1	50.0	99.9	-	-	-	-	✓	-	-	-	✓	-	-	-	-	-	-	-	-	✓	✓
	1400 x 1050	64.0	60.0	108.0	-	-	-	-	✓	-	-	-	✓	-	-	-	-	-	-	-	-	✓	✓
	1400 x 1050	65.2	60.0	122.6	-	-	-	-	✓	-	-	-	✓	-	-	-	-	-	-	-	-	✓	✓
	1400 x 1050	65.3	60.0	121.8	-	-	-	-	✓	-	-	-	✓	-	-	-	-	-	-	-	-	✓	✓
1440 x 900	1440 x 900	55.9	59.9	106.5	-	-	-	-	✓	-	-	-	✓	-	-	-	-	-	-	-	-	-	-
	1440 x 900	46.3	49.9	86.8	-	-	-	-	✓	-	-	-	✓	-	-	-	-	-	-	-	-	-	-
1600 x 900	1600 x 900	46.4	49.9	96.5	-	-	-	-	✓	-	-	-	✓	-	-	-	-	-	-	-	-	-	-
	1600 x 900	55.9	60.0	119.0	-	-	-	-	✓	-	-	-	✓	-	-	-	-	-	-	-	-	-	-
1600 x 1200	1600 x 1200	75.0	60.0	162.0	-	-	-	-	✓	-	-	-	✓	-	-	-	-	-	-	-	-	-	-
	1600 x 1200	61.8	49.9	131.5	-	-	-	-	✓	-	-	-	✓	-	-	-	-	-	-	-	-	-	-
1680 x 1050	1680 x 1050	65.3	60.0	146.3	-	-	-	-	✓	-	-	-	✓	-	-	-	-	-	-	-	-	-	-
	1680 x 1050	54.1	50.0	119.5	-	-	-	-	✓	-	-	-	✓	-	-	-	-	-	-	-	-	-	-
1920 x 1080	1920 x 1080	55.6	49.9	141.5	-	-	-	-	✓	-	-	-	✓	-	-	-	-	-	-	-	-	-	-
	1920 x 1080*2	66.6	59.9	138.5	-	-	-	-	✓	-	-	-	✓	-	-	-	-	-	-	-	-	-	-
1920 x 1200	1920 x 1200	61.8	49.9	158.3	-	-	-	-	✓	-	-	-	✓	-	-	-	-	-	-	-	-	✓	✓
	1920 x 1200*2	74.0	60.0	154.0	-	-	-	-	✓	-	✓	-	✓	-	✓	-	-	-	-	-	-	✓	✓

*1 Supports half.
 *2 VESA CVT RB (Reduced Blanking) compliant

Note : DIGITAL LINK input compatible signal is the same as HDMI input compatible signal.