



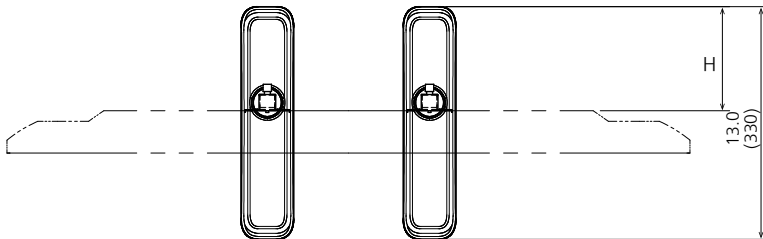
TY-ST43PE8

Product specification (design and specification subject to change without notice)

Dimensions (W x H x D)	3.0" x 5.6" x 13.0" (75 x 141 x 330 mm) with stand bracket 3.0" x 5.0" x 13.0" (75 x 127 x 330 mm) without stand bracket
Weight	approx. 4.2 lbs. (1.9 kg) with stand bracket approx. 3.8 lbs. (1.7 kg) without stand bracket
Carton Dimensions (W x H x D)	15.7" x 5.1" x 8.8" (398 x 130 x 224 mm)
Gross weight	approx. 6.0 lbs. (2.7kg)
Accessories	- Pedestal bracket (2) *The left and right brackets are identical. - Base installation screw M4 x 28 (2) - Display installation screw M4 x 10 (6) Overturn-prevention parts - Overturn-prevention belt (2) - Wood screw (2)
UPC Code	885170241138

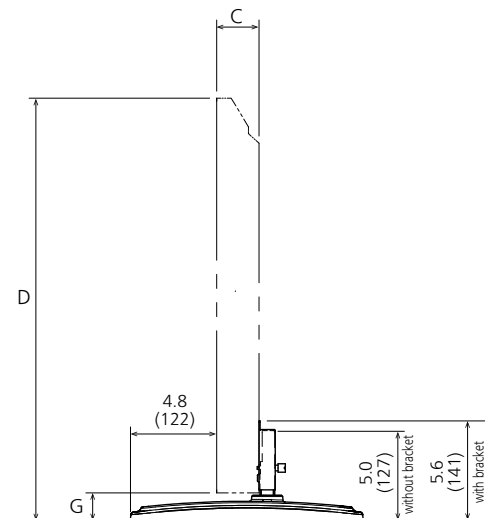
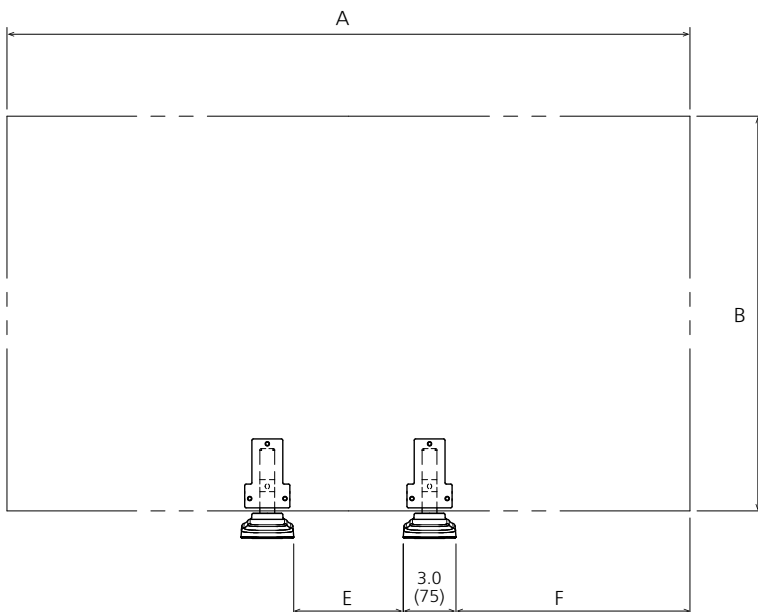
DIMENSIONS

Cautions: This drawing is not a scale
Units : inches (mm)



with LFE8 series

Dimension	43"	48"	55"
A	38.2 (969)	42.6 (1082)	48.8 (1239)
B	22.1 (560)	24.6 (624)	28.0 (712)
C	2.4 (61)	2.5 (62)	2.5 (62)
D	23.5 (599)	26.1 (663)	29.6 (752)
E	6.1 (155)	5.6 (142)	18.8 (479)
F	13.0 (332)	15.5 (395)	12.0 (305)
G	1.5 (39)	1.5 (39)	1.6 (40)
H	5.8 (147)	5.8 (146)	5.8 (146)



● DIMENSIONS

Cautions: This drawing is not a scale
Units : inches (mm)

with LF8/80 series, AF1series

Dimension	42"	49"	55"
A	37.3 (947)	43.1 (1093)	48.4 (1229)
B	21.3 (541)	24.6 (623)	27.6 (699)
C	2.9 (72)	2.9 (72)	2.9 (72)
D	23.2 (588)	26.6 (675)	29.0 (735)
E	28.6 (726)	29.3 (743)	27.1 (689)
F	1.4 (35.5)	3.9 (100)	7.7 (195)
G	1.9 (47)	2.0 (52)	1.4 (36)
H	6.0 (152)	6.0 (151)	6.0 (151)

