

Specifications

Main unit

Power supply		Single Phase AC100V-120V/Single Phase AC200V-240V, 50/60 Hz *The maximum value of light output is limited to 21,000 lm or less when using the projector with AC100V to AC120V. However, the maximum value of light output is further decreased in following cases. - When the projector is used with a voltage lower than AC120V - When the Function Board is installed in the slot - When the light source is deteriorating from use or when there is dust on the optical parts	
Power consumption ¹	Maximum power consumption		3110 W (3120 VA)
	On-mode power consumption [OPERATING MODE]	[NORMAL]	2850 W
		[ECO]	2240 W
		[QUIET]	2000 W
	Standby mode power consumption [STANDBY MODE]	[NORMAL]	16 W (30 W when USB or LAN connected)
[ECO]		0.6 W	
Shutter		2850 W (mechanical shutter ON)/430 W (light source OFF)	
Heat Output		10626 BTU/h	
DLP™ chip	size		[0.96 in] diagonal (16:10 aspect ratio)
	Display system		DLP™ chip x 3, DLP™ projection system
	Number of pixels		2,304,000 pixels (1920 x 1200 dots) x 3
Refresh rate		120Hz (Refresh rate varies depending on scanning frequency.)	
Light source		Laser diodes	
Light output ^{1,3}	Operation mode	[NORMAL]	42,000 lm/43,600 lm(Center ²)
		[ECO]	33,600 lm
		[QUIET]	30,500 lm
Time until light output declines to 50% ⁴	Operation mode	[NORMAL]	20,000 hours
		[ECO]	24,000 hours
		[QUIET]	26,000 hours
Resolution		1920 x 1200 dots	
Contrast ratio ¹		25,000:1 (All White/All Black, Dynamic Contrast [3])	
Screen size (diagonal)		1.78-25.40 m [70-1000 in] 1.78-15.24 m [70-600 in] (with ET-D3LET80) 5.08-15.24 m [200-600 in] (with ET-D3LEW201, ET-D3LEU101) 3.05-15.24 m [120-600 in] (with ET-D75LE95)	
Center to corner zone ratio ¹		90%	
Lens		Optional (no lens included with this model)	
Lens shift (From the origin point of the lens mounter)	Drive system		Powered
	Vertical	±55% ±44% (with ET-D3LEW300, ET-D3LEW60, ET-D3LEW600) +68%, +78% (with ET-D75LE95) ±55% (with ET-D3LEU101) ±48% (with ET-D3LEW201)	
		Horizontal	±20% ±15% (with ET-D3LEW201, ET-D3LEW300, ET-D3LEW60, ET-D3LEW600) ±12% (with ET-D75LE95) 0, +25% (with ET-D3LEU101)
Installation		Ceiling/floor, front/rear, free 360-degree installation	
Compatible Signal	HDMI™ signal input		Moving image signal resolution: 480/60p, 576/50p to 4096 x 2160/60p Still image signal resolution: 640 x 480 to 3840 x 2400 (non-interlace) Dot clock frequency: 25 MHz to 594 MHz
	DIGITAL LINK ⁵ signal input		Moving image signal resolution: 480/60p, 576/50p to 4096 x 2160/60p Still image signal resolution: 640 x 480 to 3840 x 2400 (non-interlace) Dot clock frequency: 25 MHz to 297 MHz
	SDI ⁶ signal input		Single link HD-SDI signal compliant with SMPTE ST 292 compliant Single link 3G-SDI signal compliant with SMPTE ST 424, 425-2 compliant Single link 12G-SDI signal compliant with SMPTE ST 2082-1, 2082-10 compliant
	SDI Optical ⁷ signal input		Single link HD-SDI signal SMPTE ST 292 compliant Single link 3G-SDI signal SMPTE ST 424, 425-2 compliant Single link 12G-SDI signal SMPTE ST 2082-1, 2082-10 compliant

Terminals	<SDI IN>	BNC x 1 3G/HD-SDI signals compatible
	<HDMI™ 1 IN>	HDMI™ x 1 HDCP 2.3 compatible, Deep Color compatible
	<HDMI™ 2 IN>	HDMI™ x 1 HDCP 2.3 compatible, Deep Color compatible
	<MULTI PROJECTOR SYNC IN/3D SYNC 1 IN/ OUT>	BNC x 1 TTL high impedance When [3D SYNC MODE] is set to output, TTL output, Maximum 10mA
	<MULTI PROJECTOR SYNC OUT/3D SYNC 2 OUT>	BNC x 1 TTL output: Maximum 10mA
	<SERIAL IN>	D-Sub 9-pin (female) x 1 for external control (RS-232C compliant)
	<REMOTE IN>	M3 Stereo mini jack x 1 for wired remote control/ for projector connection control
	<REMOTE OUT>	M3 Stereo mini jack x 1 for wired remote control/ for projector connection control
	<LAN>	RJ-45 x 1 for network connection, PLink™ (Class2) compatible, 100Base-TX/1000Base-T, Art-Net compatible
	<USB>	USB connector (Type A) x 1 for optional AJ-WM50 Series Wireless Module/USB memory stick
	<DC OUT>	USB connector (Type A) x 1 for power supply only (DC 5V, Maximum 2A)
	<SLOT>	Intel® SDM specification, for installing the Function Board
Power cord length		3.0 m [9 ft 10 in]
Cabinet materials		Molded plastic
Dimensions (excluding protrusions)	Width	598 mm [23 17/32 in]
	Height	352 mm [13 27/32 in]
	Depth	780 mm [30 23/32 in]
Weight ⁸		66.5 kg (146.6 lbs)
Operating noise ¹	[NORMAL]	49 dB
	[ECO]	49 dB
	[QUIET]	45 dB
Laser Classification	Laser Class	USA and Canada: Class 3R (IEC 60825-1:2007) Other countries or regions: Class 1 (IEC/EN 60825-1:2014)
	Risk Group	Risk Group 3 (IEC 62471-5:2015)
Operating environment	Operating temperature	0-45 °C (32-113 °F) ⁹
	Operating humidity	10-80 % (no condensation)

Remote control unit

Power supply		3V DC (AA/R6/LR6 battery x 2)
Operation range		Approx. 30 m [98 ft 5 in] (when operated directly in front of signal receiver)
Dimensions	Width	47.5 mm [1 7/8 in]
	Height	181.5 mm [7 5/32 in]
	Depth	27.5 mm [1 3/32 in]
Weight		Approx. 150 g (5.3 ozs) (including batteries)

Supplied accessories

Power cord¹⁰
 Lens hole cover (x1)
 Wireless/wired remote control unit (x1)
 Batteries for remote control (AA/R6 or AA/LR6 battery x2)
 Lens fixing screw (x1)
 Fixing screws for the lens fixed attachment (x4)
 SLOT adapter (x1)

Other Applications

Multi Monitoring & Control Software (for Windows)
 Visual Software Suite (for Windows)
 Smart Projector Control (for iOS/Android™)
 Projector Network Setup Software (for Windows)

Optional accessories

Lens *() is the throw ratio for 16:10 projection	Fixed-Focus Lens	ET-D3LEU101 (0.370:1)
		ET-D3LEW50 (0.694:1)
		ET-D75LE95 (0.364:1)
	Fisheye Lens	ET-D3LEF70
	Zoom lens	ET-D3LEW201 (0.645-0.850:1)
		ET-D3LEW300 (0.770-0.933:1)
		ET-D3LEW600 (0.924-1.28:1)
		ET-D3LEW10 (1.26-1.72:1)
		ET-D3LES250 (1.67-2.41:1)
		ET-D3LES20 (1.67-2.41:1)
ET-D3LET30 (2.40-4.66:1)		
ET-D3LET40 (4.61-7.41:1)		
ET-D3LET80 (7.34-13.8:1)		
Lens Fixed Attachment	ET-PLF10/ET-PLF20	
Function Board	12G-SDI Terminal Board	TY-SB01QS
	DIGITAL LINK Terminal Board	TY-SB01DL
	12G-SDI Optical Function Board	TY-SB01FB
	Media Processor Board	ET-SBFMP10
Wireless module	AJ-WM50 Series Note: The operating environment temperature should be between 0 °C (32°F) and 40 °C (104°F) when the optional Wireless Module (Model No.: AJ-WM50 Series) is attached.	
NFC Upgrade Kit	ET-NUK10 Note: Product availability may vary by country or region.	
Media Processors	Box-type	ET-FMP50/ET-FMP20
Wireless Presentation System PressIT	TY-WPS2 Note: Product availability may vary by country or region.	

Weights and dimensions shown are approximate. Specifications subject to change without notice.

1 Measurement, measuring conditions, and method of notation all comply with ISO/IEC 21118: 2020 international standards.

2 Average light-output value of all shipped products measured at center of screen in [NORMAL] Mode.

3 When the ET-D3LES250 is attached and the power supply voltage is AC200-240V.

4 Around this time, light output will have decreased by approximately 50%. Dynamic Contrast [3], under conditions with 35°C (95°F), 700m (2297ft) above sea level, and 0.15mg/m³ of particulate matter. Estimated time until light output declines to 50% varies depending on environment.

5 This is supported when the optional DIGITAL LINK Terminal Board (Model No.: TY-SB01DL) is installed in the slot.

6 Compatibility is maintained even when a 12G-SDI terminal board (model: TY-SB01QS) or a 12G-SDI optical function board (model: TY-SB01FB) is installed in the slot.

7 This is supported when the optional Function Board for 12G-SDI Optical Function Board (Model No.: TY-SB01FB) is installed in the slot.

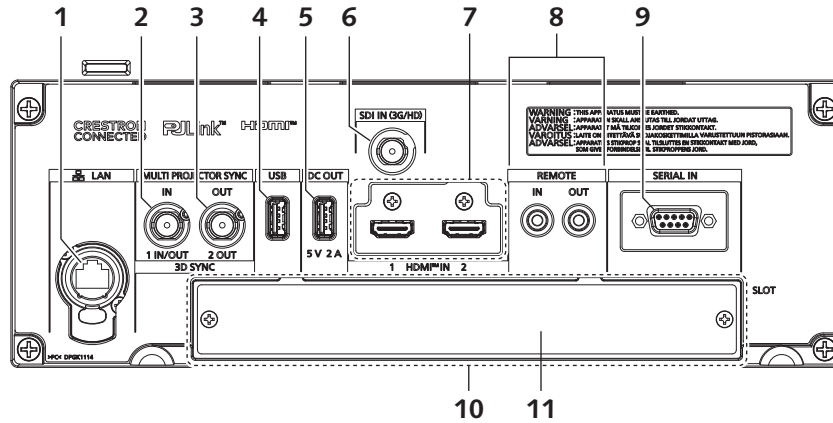
8 Average value. May differ depending on the actual unit.

9 The operating environment temperature should be between 0°C (32°F) and 40°C (104°F) if the projector is used at an altitude between 1,400m (4,593ft) and 4,200m (13,780ft) above sealevel. Note that altitude of 4,200m (13,780ft) above sea level is the maximum height that the performance of this projector is guaranteed.

The operating environment temperature should be between 0°C (32°F) and 40°C (104°F) when the optional Wireless Module (Model No.: AJ-WM50 Series) is attached. Additionally, if the projector is used at an altitude of less than 2,700m (8,858ft) with the operating environment temperature of exceeded 35°C (95°F), or at an altitude between 2,700m (8,858ft) and 4,200m (13,780ft) with the operating environment temperature of exceeded 25°C (77°F), the light output may be reduced to protect the projector.

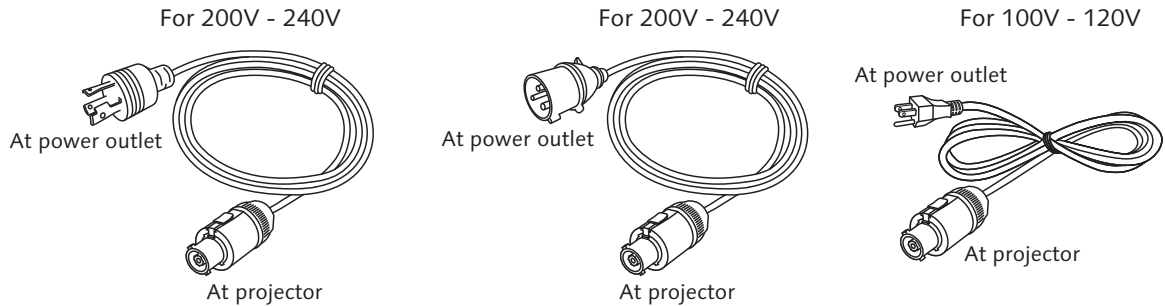
10 The type and number of the supplied power cords vary depending on the country or region where you purchased the product.

Terminals



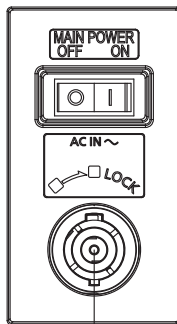
1	LAN	7	HDMI™ 1 IN/HDMI™ 2 IN
2	MULTI PROJECTOR SYNC IN/3D SYNC 1 IN/OUT	8	REMOTE IN/ REMOTE OUT
3	MULTI PROJECTOR SYNC OUT/3D SYNC 2 OUT	9	SERIAL IN
4	USB	10	Intel® SDM SLOT
5	DC OUT	11	SLOT Cover
6	SDI IN (3G/HD)		

Power cord



At projector

Power outlets that can be used



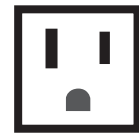
AC IN terminal



2P/3W 30A 250V
NEMA L6-30



2P/3W 32A 250V
Clock position 6h



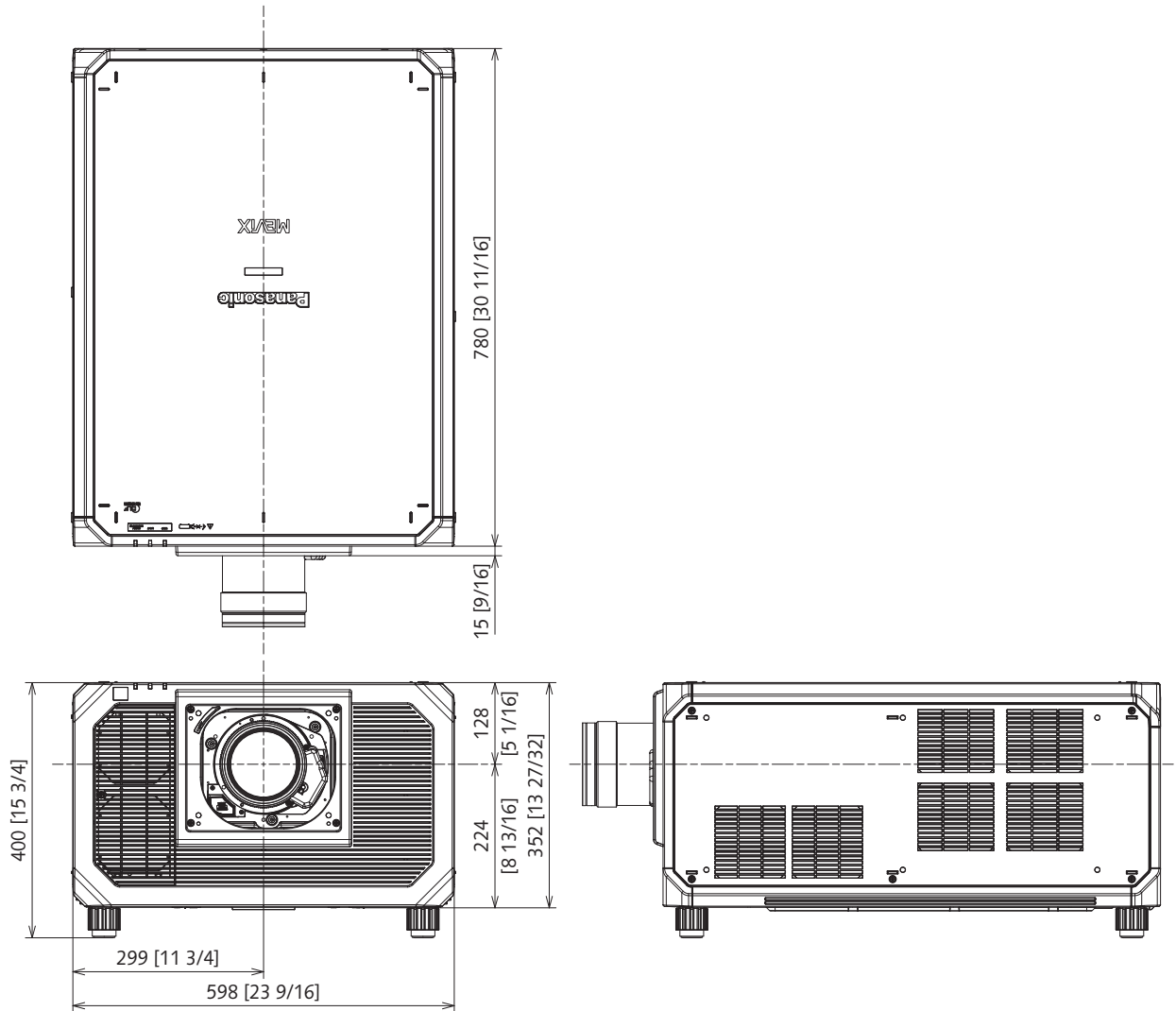
2P/3W 15A 125V

- This projector supports AC100V to AC120V, and AC200V to AC240V as the power supply. A grounded outlet supporting 30A is required when using the projector with AC200V to AC240V. A grounded outlet supporting 15A is required when using the projector with AC100V to AC120V.
- The shape of the usable outlet differs depending on the power supply. Above illustrations are examples.

Dimensions

unit : mm [inch]

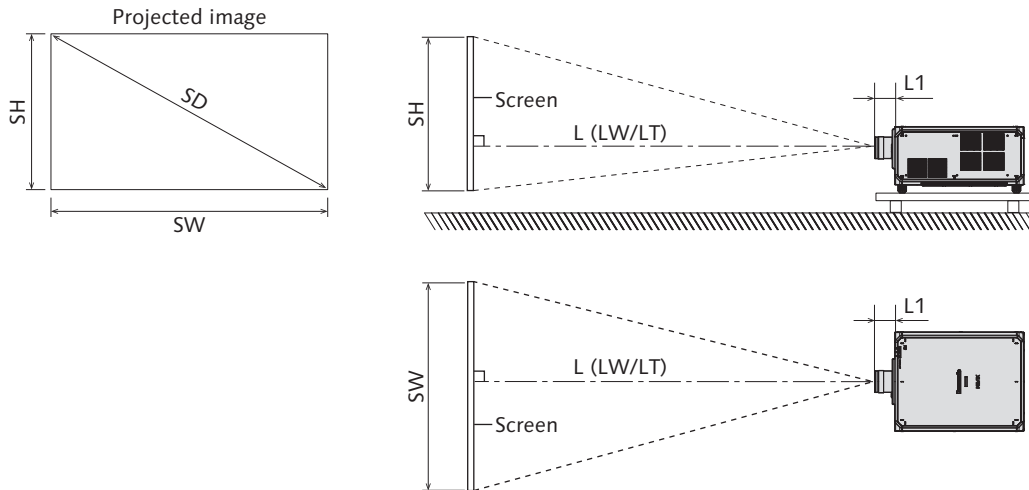
NOTE: This illustration is not drawn to scale.



Projection relationship diagram

(All lenses excluding ET-D3LEW201, ET-D3LEU101, ET-D75LE95)

Install the projector referring to the projected image size, projection distance, etc. Image size and image position can be adjusted in accordance with the screen size and screen position. When the Zoom lens (Model No.: ET-D3LEW201) Fixed-focus Lens (Model No.: ET-D3LEU101, ET-D75LE95) or the Fisheye Lens (Model No.: ET-D3LEF70) is used, the projection relation between the screen and the projector differs from that of other lenses.



Note

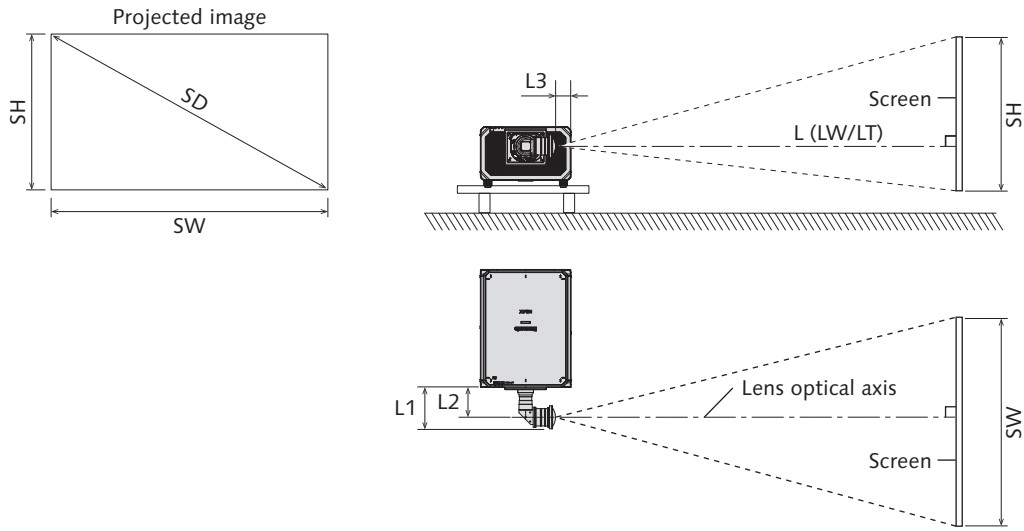
- This diagram assumes that the size and position of the projected image will be adjusted so that the image fits the entire screen.
- This illustration is not drawn to scale.
- The values are approximate.

SH	Projected image height
SW	Projected image width
SD	Projected image size
L	Projection distance
LW	Minimum projection distance when the Zoom Lens is used
LT	Maximum projection distance when the Zoom Lens is used
L1	Distance from front of projector to edge of lens

unit : m

Projection lens Model No.	Lens protrusion dimensions (L1)
ET-D3LEW300	0.273
ET-D3LEW10	0.210
ET-D3LES250	0.126
ET-D3LES20	0.121
ET-D3LET30	0.178
ET-D3LET40	0.135
ET-D3LEW50	0.203
ET-D3LEW60	0.212
ET-D3LEW600	0.232
ET-D3LET80	0.262

Projection relationship diagram
(ET-D3LEU101, ET-D3LEW201)



Note

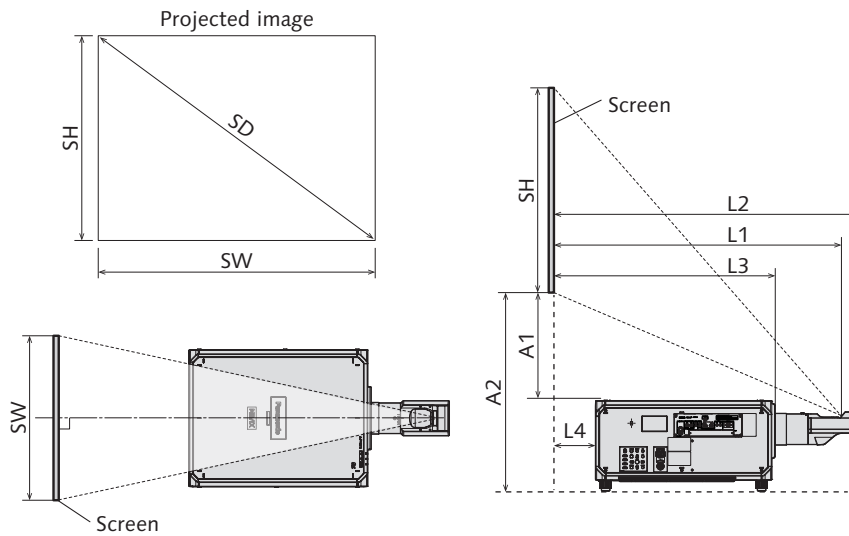
- This diagram assumes that the size and position of the projected image will be adjusted so that the image fills the entire screen.
- This illustration is not drawn to scale.
- The values are approximate.

SH	Projected image height
SW	Projected image width
SD	Projected image size
L	Projection distance
LW	Minimum projection distance when the Zoom Lens is used
LT	Maximum projection distance when the Zoom Lens is used
L1	Distance from front of projector to edge of lens
L2	Distance from front of projector to center of lens
L3	Distance from side of projector to center of lens

unit : m

Projection lens Model No.	Lens protrusion dimension (L1)	Position of the lens optical axis (L2)	Position of the lens apex (L3)
ET-D3LEU101	0.285	0.209	0.101
ET-D3LEW201	0.351	0.255	0.126

**Projection relationship diagram
(ET-D75LE95)**



Note

- This diagram assumes that the size and position of the projected image will be adjusted so that the image fits the entire screen.
- This illustration is not drawn to scale.

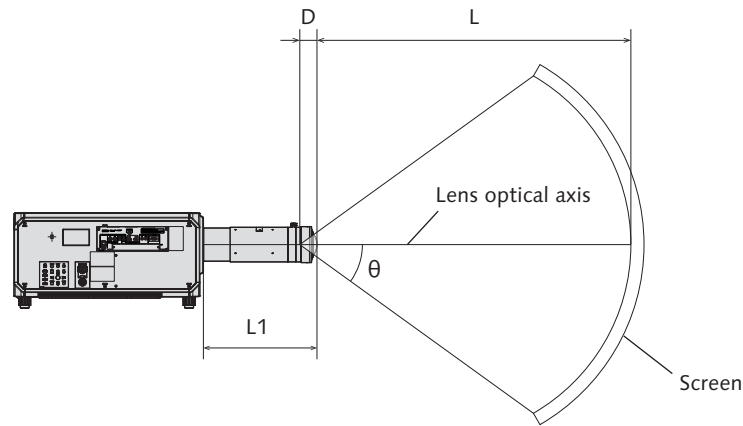
SH	Projected image height
SW	Projected image width
SD	Projected image size
L1	Projection distance (from the screen to the mirror reflection surface ¹)
L2	Distance between the projector and the screen (from the screen to the tip of the lens)
L3	Distance between the projector and the screen (from the screen to the front surface of the projector)
L4	Distance between the projector and the screen (from the screen to the rear surface of the projector)
A1	Distance between the projector and the screen (from the screen bottom edge to the projector top)
A2	Distance between the projector and the screen (from the screen bottom edge to the projector bottom)

¹ The mirror reflection surface cannot be seen from the outside, because it is located inside the Fixed-focus Lens.

unit : m

Distance from the projector to the screen	Formula
L2	= L1 + 0.029
L3	= L1 - 0.292
L4	= L1 - 1.072
A2	= A1 + 0.400

Projection relationship diagram
(ET-D3LEF70)



Note

- This diagram assumes that the size and position of the projected image will be adjusted so that the image fits the entire screen.
- This illustration is not drawn to scale.
- The values are approximate.

L	Projection distance (From the front of the lens to the screen)
L1	Distance from front of projector to edge of lens
θ	Projected angle
D	Exit pupil position

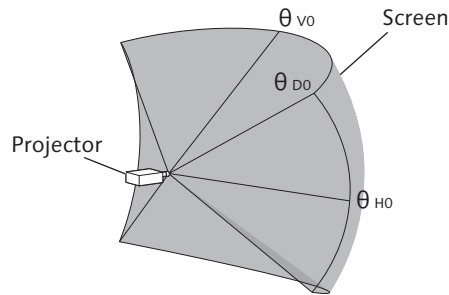
unit : m

Projection distance (L) range (m)	2 - ∞
L1 dimension	0.385
Exit pupil position (D) formula	$= -10^{-8} \times \theta^3 - 3 \times 10^{-7} \times \theta^2 - 1.73 \times 10^{-5} \times \theta + 0.02342$

Projected angle (θ) (degrees)	Exit pupil position (D) (m) ¹
10	0.0232
20	0.0229
30	0.0224
40	0.0216
50	0.0206
60	0.0191
70	0.0173
80	0.0150
91.6	0.0116

¹ There may be slight discrepancies in the exit pupil positions.

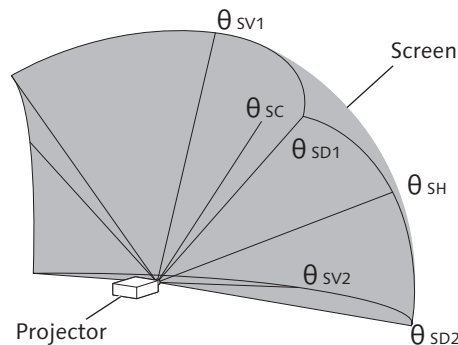
■ Maximum projection angle of view for optical lens center position



Unit : °

θ_{H0}	Maximum projection angle of view for projected image horizontal axis	54.7
θ_{V0}	Maximum projection angle of view for projected image vertical axis	34.3
θ_{D0}	Maximum projection angle of view for projected image diagonal axis	64.5

■ Maximum projection angle of view for when vertical lens shift is set to maximum



Unit : °

θ_{SC}	Projection angle of view for projected image center	22.0
θ_{SV1}	Maximum projection angle of view for projected image vertical axis (top side)	56.1
θ_{SV2}	Maximum projection angle of view for projected image vertical axis (bottom side)	12.4
θ_{SH}	Maximum projection angle of view for projected image horizontal axis	59.0
θ_{SD1}	Maximum projection angle of view for projected image diagonal line (top side)	78.4
θ_{SD2}	Maximum projection angle of view for projected image diagonal line (bottom side)	56.1

Note

- The value for each projection angle of view shown in the table is the angle between the lens optical axis and the line indicating each projection angle of view.

Projection distance

A ±5% error in listed projection distances may occur.

When [GEOMETRY] is used, distance is corrected to become smaller than the specified image size.

Screen aspect ratio 16:10

Unit: meters

Lens type				Zoom lens															
Projection lens Model No.				ET-D3LEW201 ¹	ET-D3LEW300	ET-D3LEW60	ET-D3LEW600	ET-D3LEW10	ET-D3LES250	ET-D3LES20	ET-D3LET30								
Throw ratio ²				0.645-0.850:1	0.770-0.933:1	0.924-1.10:1	0.924-1.28:1	1.26-1.72:1	1.67-2.41:1	1.67-2.41:1	2.40-4.66:1								
Projection screen size				Projection distance (L)															
Diagonal (SD)		Height (SH)	Width (SW)	Min. (LW)	Max. (LT)	Min. (LW)	Max. (LT)	Min. (LW)	Max. (LT)	Min. (LW)	Max. (LT)	Min. (LW)	Max. (LT)	Min. (LW)	Max. (LT)	Min. (LW)	Max. (LT)	Min. (LW)	Max. (LT)
m	inches																		
1.778	70	0.942	1.508	-	-	1.15	1.40	1.36	1.63	1.35	1.87	1.85	2.54	2.46	3.58	2.46	3.58	3.54	6.94
2.032	80	1.077	1.723	-	-	1.31	1.60	1.56	1.87	1.55	2.16	2.13	2.92	2.83	4.11	2.82	4.11	4.06	7.96
2.286	90	1.212	1.939	-	-	1.48	1.80	1.77	2.11	1.76	2.44	2.40	3.30	3.20	4.63	3.19	4.64	4.59	8.97
2.540	100	1.346	2.154	-	-	1.65	2.00	1.97	2.35	1.96	2.73	2.68	3.68	3.56	5.16	3.55	5.17	5.11	9.99
3.048	120	1.615	2.585	-	-	1.98	2.41	2.38	2.84	2.37	3.30	3.23	4.43	4.29	6.22	4.28	6.22	6.16	12.03
3.810	150	2.019	3.231	-	-	2.49	3.02	2.98	3.57	2.99	4.15	4.06	5.57	5.39	7.80	5.37	7.81	7.73	15.08
5.080	200	2.692	4.308	2.78	3.66	3.32	4.03	4.00	4.78	4.01	5.58	5.44	7.45	7.22	10.44	7.19	10.45	10.34	20.17
6.350	250	3.365	5.385	3.50	4.61	4.16	5.04	5.01	6.00	5.03	7.00	6.83	9.34	9.04	13.08	9.00	13.09	12.96	25.26
7.620	300	4.039	6.462	4.22	5.55	5.00	6.05	6.02	7.21	6.05	8.42	8.21	11.23	10.87	15.72	10.82	15.73	15.58	30.35
8.890	350	4.712	7.539	4.94	6.49	5.83	7.07	7.04	8.42	7.08	9.85	9.59	13.12	12.70	18.36	12.64	18.37	18.20	35.45
10.160	400	5.385	8.616	5.66	7.44	6.67	8.08	8.05	9.64	8.10	11.27	10.97	15.01	14.53	21.00	14.46	21.01	20.81	40.54
12.700	500	6.731	10.770	7.09	9.32	8.35	10.11	10.08	12.07	10.15	14.12	13.74	18.79	18.18	26.28	18.09	26.29	26.05	50.72
15.240	600	8.077	12.923	8.53	11.21	10.02	12.13	12.10	14.49	12.19	16.96	16.50	22.57	21.84	31.56	21.73	31.58	31.28	60.90
17.780	700	9.423	15.077	-	-	11.70	14.16	14.13	16.92	14.24	19.81	19.27	26.35	25.49	36.84	25.36	36.86	36.52	71.08
20.320	800	10.770	17.231	-	-	13.37	16.18	16.16	19.35	16.28	22.66	22.03	30.13	29.15	42.12	29.00	42.14	41.75	81.26
22.860	900	12.116	19.385	-	-	15.05	18.21	18.18	21.78	18.33	25.51	24.80	33.90	32.80	47.40	32.63	47.42	46.99	91.44
25.400	1000	13.462	21.539	-	-	16.72	20.24	20.21	24.21	20.37	28.35	27.56	37.68	36.46	52.69	36.27	52.70	52.22	101.62

Lens type				Zoom lens				Fixed-Focus Lens				
Projection lens Model No.				ET-D3LET40	ET-D3LET80	ET-D3LEU101 ¹	ET-D3LEW50	ET-D75LE95 ¹				
Throw ratio ²				4.61-7.41:1	7.34-13.8:1	0.370:1	0.694:1	0.364:1				
Projection screen size				Projection distance (L)						Projection distance (L1)	Distance between the projector and the screen	
Diagonal (SD)		Height (SH)	Width (SW)	Min. (LW)	Max. (LT)	Min. (LW)	Max. (LT)	Fixed	Fixed		(L4)	(A1)
m	inches											
1.778	70	0.942	1.508	6.86	11.08	10.85	20.69	-	1.01	-	-	-
2.032	80	1.077	1.723	7.86	12.68	12.45	23.70	-	1.16	-	-	-
2.286	90	1.212	1.939	8.86	14.29	14.06	26.71	-	1.32	-	-	-
2.540	100	1.346	2.154	9.87	15.90	15.66	29.71	-	1.47	-	-	-
3.048	120	1.615	2.585	11.87	19.12	18.88	35.73	-	1.78	0.94	-0.13	0.16-0.32
3.810	150	2.019	3.231	14.88	23.94	23.69	44.75	-	2.24	1.18	0.10	0.24-0.44
5.080	200	2.692	4.308	19.90	31.99	31.72	59.79	1.59	3.01	1.56	0.49	0.36-0.63
6.350	250	3.365	5.385	24.92	40.03	39.74	74.82	2.01	3.78	1.95	0.87	0.48-0.81
7.620	300	4.039	6.462	29.93	48.07	47.77	89.86	2.42	4.56	2.33	1.26	0.60-1.00
8.890	350	4.712	7.539	34.95	56.12	55.79	104.90	2.84	5.33	2.72	1.64	0.72-1.19
10.160	400	5.385	8.616	39.97	64.16	63.82	119.94	3.25	6.10	3.10	2.03	0.84-1.38
12.700	500	6.731	10.770	50.00	80.24	79.87	150.01	4.08	7.64	3.87	2.80	1.08-1.76
15.240	600	8.077	12.923	60.03	96.33	95.92	180.08	4.91	9.18	4.64	3.57	1.33-2.13
17.780	700	9.423	15.077	70.07	112.42	111.97	-	-	10.72	-	-	-
20.320	800	10.770	17.231	80.10	128.50	128.02	-	-	12.27	-	-	-
22.860	900	12.116	19.385	90.14	144.59	144.07	-	-	13.81	-	-	-
25.400	1000	13.462	21.539	100.17	160.67	160.13	-	-	15.35	-	-	-

- 1 When the Zoom lens (Model No.: ET-D3LEW201) Fixed-focus Lens (Model No.: ET-D3LEU101, ET-D75LE95) or the Fisheye Lens (Model No.: ET-D3LEF70) is used, the projection relation between the screen and the projector differs from that of other lenses.
- 2 The throw ratio is based on the value during projection with the projected image size of 150 in. However, the throw ratio for the following projection lenses is based on the value during projection with the projected image size of 5.08m [200 in]. ET-D3LEU101, ET-D3LEW201

Screen aspect ratio 16:10

Unit: feet

Lens type				Zoom lens															
Projection lens Model No.				ET-D3LEW201 ¹		ET-D3LEW300		ET-D3LEW60		ET-D3LEW600		ET-D3LEW10		ET-D3LES250		ET-D3LES20		ET-D3LET30	
Throw ratio ²				0.645-0.850:1		0.770-0.933:1		0.924-1.10:1		0.924-1.28:1		1.26-1.72:1		1.67-2.41:1		1.67-2.41:1		2.40-4.66:1	
Projection screen size				Projection distance (L)															
Diagonal (SD)		Height (SH)	Width (SW)	Min. (LW)	Max. (LT)	Min. (LW)	Max. (LT)	Min. (LW)	Max. (LT)	Min. (LW)	Max. (LT)	Min. (LW)	Max. (LT)	Min. (LW)	Max. (LT)	Min. (LW)	Max. (LT)	Min. (LW)	Max. (LT)
m	inches																		
1.778	70	3.092	4.947	-	-	3.77	4.59	4.46	5.35	4.42	6.15	6.07	8.33	8.09	11.74	8.07	11.75	11.61	22.77
2.032	80	3.533	5.653	-	-	4.30	5.25	5.12	6.14	5.10	7.08	6.99	9.58	9.28	13.47	9.25	13.48	13.32	26.12
2.286	90	3.975	6.360	-	-	4.86	5.91	5.81	6.92	5.77	8.02	7.87	10.83	10.48	15.20	10.47	15.22	15.06	29.43
2.540	100	4.417	7.067	-	-	5.41	6.56	6.46	7.71	6.44	8.95	8.79	12.07	11.68	16.93	11.65	16.96	16.76	32.78
3.048	120	5.300	8.480	-	-	6.50	7.91	7.81	9.32	7.78	10.82	10.60	14.53	14.08	20.40	14.04	20.41	20.21	39.47
3.810	150	6.625	10.600	-	-	8.17	9.91	9.78	11.71	9.79	13.62	13.32	18.27	17.68	25.60	17.62	25.62	25.36	49.47
5.080	200	8.833	14.133	9.12	12.01	10.89	13.22	13.12	15.68	13.15	18.29	17.85	24.44	23.67	34.26	23.59	34.28	33.92	66.17
6.350	250	11.042	17.667	11.48	15.12	13.65	16.54	16.44	19.68	16.51	22.96	22.41	30.64	29.67	42.92	29.53	42.95	42.52	82.87
7.620	300	13.250	21.200	13.84	18.21	16.40	19.85	19.75	23.65	19.86	27.63	26.94	36.84	35.67	51.58	35.50	51.61	51.11	99.57
8.890	350	15.458	24.733	16.21	21.29	19.13	23.20	23.10	27.62	23.22	32.30	31.46	43.04	41.66	60.25	41.47	60.27	59.71	116.30
10.160	400	17.667	28.267	18.57	24.41	21.88	26.51	26.41	31.63	26.57	36.97	35.99	49.24	47.66	68.91	47.44	68.93	68.27	133.00
12.700	500	22.083	35.333	23.26	30.58	27.39	33.17	33.07	39.60	33.28	46.32	45.08	61.65	59.65	86.23	59.35	86.25	85.46	166.40
15.240	600	26.500	42.400	27.99	36.78	32.87	39.80	39.70	47.54	40.00	55.66	54.13	74.05	71.64	103.56	71.29	103.61	102.62	199.80
17.780	700	30.917	49.467	-	-	38.39	46.46	46.36	55.51	46.71	65.00	63.22	86.45	83.63	120.88	83.20	120.93	119.81	233.20
20.320	800	35.333	56.533	-	-	43.86	53.08	53.02	63.48	53.42	74.34	72.28	98.85	95.62	138.20	95.14	138.25	136.97	266.60
22.860	900	39.750	63.600	-	-	49.38	59.74	59.64	71.46	60.13	83.68	81.36	111.22	107.62	155.53	107.05	155.58	154.16	300.00
25.400	1000	44.167	70.667	-	-	54.85	66.40	66.30	79.43	66.84	93.02	90.42	123.62	119.61	172.85	118.99	172.90	171.32	333.39

Lens type				Zoom lens				Fixed-Focus Lens						
Projection lens Model No.				ET-D3LET40		ET-D3LET80		ET-D3LEU101 ¹		ET-D3LEW50		ET-D75LE95 ¹		
Throw ratio ²				4.61-7.41:1		7.34-13.8:1		0.370:1		0.694:1		0.364:1		
Projection screen size				Projection distance (L)						Projection distance (L1)	Distance between the projector and the screen			
Diagonal (SD)		Height (SH)	Width (SW)	Min. (LW)	Max. (LT)	Min. (LW)	Max. (LT)	Fixed	Fixed		(L4)	(A1)		
m	inches													
1.778	70	3.092	4.947	22.51	36.35	35.60	67.88	-	3.31	-	-	-		
2.032	80	3.533	5.653	25.79	41.60	40.85	77.75	-	3.81	-	-	-		
2.286	90	3.975	6.360	29.07	46.88	46.13	87.63	-	4.33	-	-	-		
2.540	100	4.417	7.067	32.38	52.16	51.38	97.47	-	4.82	-	-	-		
3.048	120	5.300	8.480	38.94	62.73	61.94	117.22	-	5.84	3.10	-0.42	0.53-1.06		
3.810	150	6.625	10.600	48.82	78.54	77.72	146.82	-	7.35	3.85	0.34	0.77-1.44		
5.080	200	8.833	14.133	65.29	104.95	104.07	196.16	5.22	9.88	5.12	1.60	1.17-2.05		
6.350	250	11.042	17.667	81.76	131.33	130.38	245.47	6.59	12.40	6.38	2.86	1.57-2.67		
7.620	300	13.250	21.200	98.19	157.71	156.72	294.81	7.94	14.96	7.64	4.13	1.97-3.29		
8.890	350	15.458	24.733	114.66	184.12	183.04	344.16	9.32	17.49	8.91	5.39	2.36-3.91		
10.160	400	17.667	28.267	131.13	210.50	209.38	393.50	10.66	20.01	10.17	6.65	2.76-4.53		
12.700	500	22.083	35.333	164.04	263.25	262.04	492.15	13.39	25.07	12.70	9.18	3.56-5.76		
15.240	600	26.500	42.400	196.95	316.04	314.69	590.81	16.11	30.12	15.22	11.71	4.35-7.00		
17.780	700	30.917	49.467	229.89	368.83	367.35	-	-	35.17	-	-	-		
20.320	800	35.333	56.533	262.79	421.58	420.01	-	-	40.26	-	-	-		
22.860	900	39.750	63.600	295.73	474.37	472.66	-	-	45.31	-	-	-		
25.400	1000	44.167	70.667	328.64	527.13	525.35	-	-	50.36	-	-	-		

- 1 When the Zoom lens (Model No.: ET-D3LEW201) Fixed-focus Lens (Model No.: ET-D3LEU101, ET-D75LE95) or the Fisheye Lens (Model No.: ET-D3LEF70) is used, the projection relation between the screen and the projector differs from that of other lenses.
- 2 The throw ratio is based on the value during projection with the projected image size of 150 in. However, the throw ratio for the following projection lenses is based on the value during projection with the projected image size of 5.08m [200 in]. ET-D3LEU101, ET-D3LEW201

Screen aspect ratio 16:9

Unit: meters

Lens type				Zoom lens															
Projection lens Model No.				ET-D3LEW201 ¹	ET-D3LEW300	ET-D3LEW60	ET-D3LEW600	ET-D3LEW10	ET-D3LES250	ET-D3LES20	ET-D3LET30								
Throw ratio ²				0.646-0.851:1	0.770-0.933:1	0.924-1.10:1	0.925-1.28:1	1.26-1.72:1	1.67-2.41:1	1.67-2.41:1	2.40-4.66:1								
Projection screen size				Projection distance (L)															
Diagonal (SD)		Height (SH)	Width (SW)	Min. (LW)	Max. (LT)	Min. (LW)	Max. (LT)	Min. (LW)	Max. (LT)	Min. (LW)	Max. (LT)	Min. (LW)	Max. (LT)	Min. (LW)	Max. (LT)	Min. (LW)	Max. (LT)	Min. (LW)	Max. (LT)
m	inches																		
1.778	70	0.872	1.550	-	-	1.18	1.44	1.40	1.67	1.39	1.93	1.90	2.62	2.54	3.68	2.53	3.68	3.64	7.14
2.032	80	0.996	1.771	-	-	1.35	1.64	1.61	1.92	1.60	2.22	2.19	3.00	2.91	4.22	2.91	4.23	4.18	8.18
2.286	90	1.121	1.992	-	-	1.52	1.85	1.82	2.17	1.81	2.52	2.47	3.39	3.29	4.77	3.28	4.77	4.72	9.23
2.540	100	1.245	2.214	-	-	1.69	2.06	2.03	2.42	2.02	2.81	2.76	3.78	3.66	5.31	3.65	5.31	5.25	10.28
3.048	120	1.494	2.657	-	-	2.04	2.48	2.44	2.92	2.44	3.39	3.32	4.56	4.41	6.39	4.40	6.40	6.33	12.37
3.810	150	1.868	3.321	-	-	2.55	3.10	3.07	3.67	3.07	4.27	4.18	5.72	5.54	8.02	5.52	8.03	7.94	15.51
5.080	200	2.491	4.428	2.86	3.77	3.42	4.14	4.11	4.92	4.12	5.73	5.60	7.66	7.42	10.74	7.39	10.74	10.63	20.74
6.350	250	3.113	5.535	3.60	4.74	4.28	5.18	5.15	6.17	5.17	7.20	7.02	9.61	9.30	13.45	9.26	13.46	13.32	25.97
7.620	300	3.736	6.641	4.34	5.71	5.14	6.22	6.19	7.41	6.22	8.66	8.44	11.55	11.18	16.16	11.13	16.17	16.01	31.20
8.890	350	4.358	7.748	5.08	6.68	6.00	7.26	7.23	8.66	7.28	10.12	9.86	13.49	13.05	18.88	12.99	18.88	18.70	36.44
10.160	400	4.981	8.855	5.82	7.65	6.86	8.31	8.28	9.91	8.33	11.59	11.28	15.43	14.93	21.59	14.86	21.60	21.39	41.67
12.700	500	6.226	11.069	7.29	9.58	8.58	10.39	10.36	12.40	10.43	14.51	14.12	19.32	18.69	27.02	18.60	27.03	26.77	52.13
15.240	600	7.472	13.283	8.77	11.52	10.30	12.47	12.44	14.90	12.53	17.44	16.96	23.20	22.45	32.44	22.33	32.46	32.15	62.60
17.780	700	8.717	15.497	-	-	12.02	14.55	14.52	17.39	14.63	20.37	19.81	27.08	26.20	37.87	26.07	37.89	37.53	73.06
20.320	800	9.962	17.710	-	-	13.74	16.63	16.61	19.89	16.74	23.29	22.65	30.97	29.96	43.30	29.81	43.31	42.92	83.53
22.860	900	11.207	19.924	-	-	15.47	18.72	18.69	22.39	18.84	26.22	25.49	34.85	33.72	48.73	33.54	48.74	48.30	93.99
25.400	1000	12.453	22.138	-	-	17.19	20.80	20.77	24.88	20.94	29.14	28.33	38.73	37.47	54.15	37.28	54.17	53.68	104.45

Lens type				Zoom lens				Fixed-Focus Lens				
Projection lens Model No.				ET-D3LET40	ET-D3LET80	ET-D3LEU101 ¹	ET-D3LEW50	ET-D75LE95 ¹				
Throw ratio ²				4.61-7.41:1	7.34-13.8:1	0.370:1	0.695:1	0.364:1				
Projection screen size				Projection distance (L)						Projection distance (L1)	Distance between the projector and the screen	
Diagonal (SD)		Height (SH)	Width (SW)	Min. (LW)	Max. (LT)	Min. (LW)	Max. (LT)	Fixed	Fixed		(L4)	(A1)
m	inches											
1.778	70	0.872	1.550	7.05	11.39	11.16	21.28	-	1.04	-	-	-
2.032	80	0.996	1.771	8.08	13.04	12.81	24.37	-	1.20	-	-	-
2.286	90	1.121	1.992	9.11	14.70	14.46	27.46	-	1.36	-	-	-
2.540	100	1.245	2.214	10.15	16.35	16.11	30.55	-	1.51	-	-	-
3.048	120	1.494	2.657	12.21	19.66	19.41	36.73	-	1.83	0.97	-0.10	0.25-0.42
3.810	150	1.868	3.321	15.30	24.61	24.36	46.00	-	2.31	1.21	0.13	0.35-0.56
5.080	200	2.491	4.428	20.46	32.88	32.61	61.46	1.64	3.10	1.60	0.53	0.51-0.79
6.350	250	3.113	5.535	25.61	41.15	40.86	76.91	2.06	3.89	2.00	0.93	0.67-1.01
7.620	300	3.736	6.641	30.77	49.41	49.11	92.37	2.49	4.68	2.39	1.32	0.83-1.24
8.890	350	4.358	7.748	35.93	57.68	57.35	107.82	2.92	5.48	2.79	1.72	0.99-1.47
10.160	400	4.981	8.855	41.08	65.95	65.60	123.28	3.34	6.27	3.19	2.11	1.14-1.70
12.700	500	6.226	11.069	51.40	82.48	82.10	154.19	4.19	7.85	3.98	2.90	1.46-2.15
15.240	600	7.472	13.283	61.71	99.01	98.60	185.10	5.05	9.44	4.77	3.70	1.78-2.61
17.780	700	8.717	15.497	72.02	115.55	115.10	-	-	11.02	-	-	-
20.320	800	9.962	17.710	82.33	132.08	131.59	-	-	12.61	-	-	-
22.860	900	11.207	19.924	92.65	148.61	148.09	-	-	14.19	-	-	-
25.400	1000	12.453	22.138	102.96	165.15	164.59	-	-	15.78	-	-	-

- 1 When the Zoom lens (Model No.: ET-D3LEW201) Fixed-focus Lens (Model No.: ET-D3LEU101, ET-D75LE95) or the Fisheye Lens (Model No.: ET-D3LEF70) is used, the projection relation between the screen and the projector differs from that of other lenses.
- 2 The throw ratio is based on the value during projection with the projected image size of 150 in. However, the throw ratio for the following projection lenses is based on the value during projection with the projected image size of 5.08m [200 in]. ET-D3LEU101, ET-D3LEW201

Screen aspect ratio 16:9

Unit: feet

Lens type				Zoom lens															
Projection lens Model No.				ET-D3LEW201 ¹		ET-D3LEW300		ET-D3LEW60		ET-D3LEW600		ET-D3LEW10		ET-D3LES250		ET-D3LES20		ET-D3LET30	
Throw ratio ²				0.646-0.851:1		0.770-0.933:1		0.924-1.10:1		0.925-1.28:1		1.26-1.72:1		1.67-2.41:1		1.67-2.41:1		2.40-4.66:1	
Projection screen size				Projection distance (L)															
Diagonal (SD)		Height (SH)	Width (SW)	Min. (LW)	Max. (LT)	Min. (LW)	Max. (LT)	Min. (LW)	Max. (LT)	Min. (LW)	Max. (LT)	Min. (LW)	Max. (LT)	Min. (LW)	Max. (LT)	Min. (LW)	Max. (LT)	Min. (LW)	Max. (LT)
m	inches																		
1.778	70	2.860	5.084	-	-	3.87	4.72	4.59	5.48	4.55	6.33	6.23	8.60	8.32	12.07	8.30	12.07	11.94	23.42
2.032	80	3.268	5.811	-	-	4.43	5.38	5.28	6.30	5.24	7.29	7.18	9.84	9.55	13.86	9.55	13.88	13.71	26.84
2.286	90	3.677	6.537	-	-	4.99	6.07	5.97	7.12	5.93	8.25	8.10	11.12	10.78	15.64	10.76	15.65	15.49	30.28
2.540	100	4.086	7.263	-	-	5.54	6.76	6.66	7.94	6.62	9.21	9.06	12.40	12.02	17.42	11.97	17.42	17.22	33.73
3.048	120	4.903	8.716	-	-	6.69	8.14	8.01	9.58	8.00	11.13	10.89	14.96	14.48	20.98	14.44	21.00	20.77	40.58
3.810	150	6.128	10.895	-	-	8.37	10.17	10.07	12.04	10.07	14.01	13.71	18.77	18.18	26.32	18.11	26.34	26.05	50.89
5.080	200	8.171	14.526	9.38	12.37	11.22	13.58	13.48	16.14	13.52	18.81	18.37	25.13	24.34	35.22	24.25	35.24	34.87	68.04
6.350	250	10.214	18.158	11.81	15.55	14.04	16.99	16.90	20.24	16.97	23.61	23.03	31.53	30.50	44.13	30.38	44.16	43.70	85.20
7.620	300	12.257	21.789	14.24	18.73	16.86	20.41	20.31	24.31	20.42	28.41	27.69	37.89	36.67	53.03	36.52	53.05	52.53	102.36
8.890	350	14.299	25.421	16.67	21.92	19.68	23.82	23.72	28.41	23.87	33.21	32.35	44.26	42.83	61.93	42.62	61.94	61.35	119.55
10.160	400	16.342	29.053	19.09	25.10	22.51	27.26	27.17	32.51	27.32	38.01	37.01	50.62	48.99	70.83	48.75	70.87	70.18	136.71
12.700	500	20.428	36.316	23.92	31.43	28.15	34.09	33.99	40.68	34.22	47.62	46.32	63.39	61.32	88.64	61.02	88.68	87.83	171.03
15.240	600	24.513	43.579	28.77	37.79	33.79	40.91	40.81	48.88	41.12	57.22	55.64	76.11	73.64	106.45	73.26	106.49	105.48	205.38
17.780	700	28.599	50.842	-	-	39.44	47.74	47.64	57.05	48.01	66.82	64.99	88.84	85.97	124.25	85.53	124.31	123.13	239.70
20.320	800	32.684	58.105	-	-	45.08	54.56	54.49	65.26	54.91	76.42	74.31	101.61	98.29	142.06	97.80	142.09	140.81	274.05
22.860	900	36.770	65.368	-	-	50.75	61.42	61.32	73.46	61.81	86.02	83.63	114.34	110.62	159.86	110.04	159.91	158.46	308.36
25.400	1000	40.855	72.631	-	-	56.40	68.24	68.14	81.63	68.71	95.62	92.95	127.07	122.94	177.67	122.31	177.72	176.11	342.68

Lens type				Zoom lens				Fixed-Focus Lens						
Projection lens Model No.				ET-D3LET40		ET-D3LET80		ET-D3LEU101 ¹		ET-D3LEW50		ET-D75LE95 ¹		
Throw ratio ²				4.61-7.41:1		7.34-13.8:1		0.370:1		0.695:1		0.364:1		
Projection screen size				Projection distance (L)						Projection distance (L1)	Distance between the projector and the screen			
Diagonal (SD)		Height (SH)	Width (SW)	Min. (LW)	Max. (LT)	Min. (LW)	Max. (LT)	Fixed	Fixed		(L4)	(A1)		
m	inches													
1.778	70	2.860	5.084	23.13	37.37	36.61	69.82	-	3.41	-	-	-		
2.032	80	3.268	5.811	26.51	42.78	42.03	79.95	-	3.94	-	-	-		
2.286	90	3.677	6.537	29.89	48.23	47.44	90.09	-	4.46	-	-	-		
2.540	100	4.086	7.263	33.30	53.64	52.85	100.23	-	4.95	-	-	-		
3.048	120	4.903	8.716	40.06	64.50	63.68	120.50	-	6.00	3.18	-0.34	083-1.38		
3.810	150	6.128	10.895	50.20	80.74	79.92	150.92	-	7.58	3.96	0.44	1.15-1.83		
5.080	200	8.171	14.526	67.13	107.87	106.99	201.64	5.38	10.17	5.26	1.74	1.67-2.58		
6.350	250	10.214	18.158	84.02	135.00	134.05	252.33	6.76	12.76	6.56	3.04	2.19-3.33		
7.620	300	12.257	21.789	100.95	162.10	161.12	303.05	8.17	15.35	7.86	4.34	2.71-4.07		
8.890	350	14.299	25.421	117.88	189.24	188.15	353.74	9.58	17.98	9.15	5.64	3.23-4.82		
10.160	400	16.342	29.053	134.78	216.37	215.22	404.46	10.96	20.57	10.45	6.93	3.76-5.57		
12.700	500	20.428	36.316	168.63	270.60	269.35	505.87	13.75	25.75	13.05	9.53	4.80-7.07		
15.240	600	24.513	43.579	202.46	324.83	323.49	607.28	16.57	30.97	15.64	12.13	5.84-8.57		
17.780	700	28.599	50.842	236.28	379.10	377.62	-	-	36.15	-	-	-		
20.320	800	32.684	58.105	270.11	433.33	431.72	-	-	41.37	-	-	-		
22.860	900	36.770	65.368	303.97	487.56	485.85	-	-	46.55	-	-	-		
25.400	1000	40.855	72.631	337.79	541.82	539.99	-	-	51.77	-	-	-		

- 1 When the Zoom lens (Model No.: ET-D3LEW201) Fixed-focus Lens (Model No.: ET-D3LEU101, ET-D75LE95) or the Fisheye Lens (Model No.: ET-D3LEF70) is used, the projection relation between the screen and the projector differs from that of other lenses.
- 2 The throw ratio is based on the value during projection with the projected image size of 150 in. However, the throw ratio for the following projection lenses is based on the value during projection with the projected image size of 5.08m [200 in]. ET-D3LEU101, ET-D3LEW201

Screen aspect ratio 4:3

Unit: meters

Lens type				Zoom lens															
Projection lens Model No.				ET-D3LEW201 ¹		ET-D3LEW300		ET-D3LEW60		ET-D3LEW600		ET-D3LEW10		ET-D3LES250		ET-D3LES20		ET-D3LET30	
Throw ratio ²				0.778-1.02:1		0.925-1.12:1		1.12-1.32:1		1.12-1.54:1		1.52-2.07:1		2.01-2.90:1		2.00-2.90:1		2.88-5.61:1	
Projection screen size				Projection distance (L)															
Diagonal (SD)		Height (SH)	Width (SW)	Min. (LW)	Max. (LT)	Min. (LW)	Max. (LT)	Min. (LW)	Max. (LT)	Min. (LW)	Max. (LT)	Min. (LW)	Max. (LT)	Min. (LW)	Max. (LT)	Min. (LW)	Max. (LT)	Min. (LW)	Max. (LT)
m	inches																		
1.778	70	1.067	1.422	-	-	1.30	1.58	1.55	1.85	1.54	2.14	2.10	2.89	2.80	4.07	2.80	4.07	4.02	7.88
2.032	80	1.219	1.626	-	-	1.49	1.81	1.78	2.13	1.77	2.46	2.42	3.32	3.22	4.66	3.21	4.67	4.61	9.03
2.286	90	1.372	1.829	-	-	1.68	2.04	2.01	2.40	2.00	2.78	2.73	3.75	3.63	5.26	3.62	5.27	5.21	10.18
2.540	100	1.524	2.032	-	-	1.87	2.27	2.24	2.68	2.23	3.10	3.04	4.18	4.04	5.86	4.03	5.86	5.80	11.34
3.048	120	1.829	2.438	-	-	2.25	2.73	2.70	3.22	2.70	3.75	3.67	5.03	4.87	7.05	4.86	7.06	6.99	13.64
3.810	150	2.286	3.048	-	-	2.82	3.42	3.38	4.05	3.39	4.72	4.61	6.31	6.11	8.85	6.09	8.85	8.76	17.10
5.080	200	3.048	4.064	3.16	4.16	3.77	4.56	4.53	5.42	4.55	6.33	6.17	8.45	8.18	11.84	8.15	11.84	11.73	22.86
6.350	250	3.810	5.080	3.97	5.23	4.71	5.71	5.68	6.80	5.71	7.94	7.74	10.59	10.25	14.83	10.20	14.83	14.69	28.63
7.620	300	4.572	6.096	4.79	6.30	5.66	6.86	6.83	8.17	6.86	9.55	9.30	12.73	12.32	17.81	12.26	17.82	17.65	34.39
8.890	350	5.334	7.112	5.60	7.37	6.61	8.00	7.97	9.55	8.02	11.16	10.87	14.87	14.39	20.80	14.32	20.81	20.61	40.15
10.160	400	6.096	8.128	6.42	8.43	7.56	9.15	9.12	10.92	9.18	12.77	12.43	17.01	16.46	23.79	16.38	23.80	23.58	45.91
12.700	500	7.620	10.160	8.05	10.57	9.45	11.44	11.41	13.67	11.50	16.00	15.56	21.29	20.60	29.77	20.49	29.78	29.50	57.44
15.240	600	9.144	12.192	9.67	12.70	11.35	13.74	13.71	16.42	13.81	19.22	18.69	25.56	24.73	35.75	24.61	35.76	35.43	68.97
17.780	700	10.668	14.224	-	-	13.25	16.03	16.00	19.17	16.13	22.44	21.82	29.84	28.87	41.73	28.72	41.74	41.36	80.49
20.320	800	12.192	16.256	-	-	15.14	18.32	18.30	21.92	18.44	25.67	24.95	34.12	33.01	47.70	32.84	47.72	47.28	92.02
22.860	900	13.716	18.288	-	-	17.04	20.62	20.59	24.66	20.76	28.89	28.09	38.40	37.15	53.68	36.95	53.70	53.21	103.54
25.400	1000	15.240	20.320	-	-	18.93	22.91	22.89	27.41	23.07	32.11	31.22	42.67	41.29	59.66	41.07	59.68	59.13	115.03

Lens type				Zoom lens				Fixed-Focus Lens						
Projection lens Model No.				ET-D3LET40		ET-D3LET80		ET-D3LEU101 ¹		ET-D3LEW50		ET-D75LE95 ¹		
Throw ratio ²				5.54-8.90:1		8.82-16.6:1		0.446:1		0.836:1		0.436:1		
Projection screen size				Projection distance (L)						Projection distance (L1)	Distance between the projector and the screen			
Diagonal (SD)		Height (SH)	Width (SW)	Min. (LW)	Max. (LT)	Min. (LW)	Max. (LT)	Fixed	Fixed		(L4)	(A1)		
m	inches													
1.778	70	1.067	1.422	7.78	12.56	12.33	23.47	-	1.15	-	-	-		
2.032	80	1.219	1.626	8.92	14.38	14.15	26.88	-	1.33	-	-	-		
2.286	90	1.372	1.829	10.06	16.20	15.97	30.28	-	1.50	-	-	-		
2.540	100	1.524	2.032	11.19	18.03	17.78	33.69	-	1.67	-	-	-		
3.048	120	1.829	2.438	13.46	21.67	21.42	40.50	-	2.02	1.07	-0.01	0.20-0.38		
3.810	150	2.286	3.048	16.87	27.13	26.87	50.71	-	2.55	1.33	0.26	0.28-0.51		
5.080	200	3.048	4.064	22.55	36.24	35.96	67.73	1.81	3.42	1.76	0.69	0.42-0.73		
6.350	250	3.810	5.080	28.23	45.34	45.04	84.75	2.28	4.29	2.20	1.13	0.56-0.94		
7.620	300	4.572	6.096	33.91	54.45	54.13	101.78	2.75	5.17	2.64	1.56	0.69-1.15		
8.890	350	5.334	7.112	39.59	63.55	63.21	118.80	3.22	6.04	3.07	2.00	0.83-1.37		
10.160	400	6.096	8.128	45.27	72.66	72.30	135.82	3.69	6.91	3.51	2.43	0.97-1.58		
12.700	500	7.620	10.160	56.63	90.87	90.47	169.87	4.63	8.66	4.38	3.31	1.24-2.01		
15.240	600	9.144	12.192	67.99	109.08	108.64	203.91	5.56	10.40	5.25	4.18	1.52-2.43		
17.780	700	10.668	14.224	79.35	127.29	126.81	-	-	12.15	-	-	-		
20.320	800	12.192	16.256	90.70	145.50	144.98	-	-	13.90	-	-	-		
22.860	900	13.716	18.288	102.06	163.71	163.15	-	-	15.64	-	-	-		
25.400	1000	15.240	20.320	113.42	181.92	181.33	-	-	17.39	-	-	-		

1 When the Zoom lens (Model No.: ET-D3LEW201) Fixed-focus Lens (Model No.: ET-D3LEU101, ET-D75LE95) or the Fisheye Lens (Model No.: ET-D3LEF70) is used, the projection relation between the screen and the projector differs from that of other lenses.
 2 The throw ratio is based on the value during projection with the projected image size of 150 in. However, the throw ratio for the following projection lenses is based on the value during projection with the projected image size of 5.08m [200 in]. ET-D3LEU101, ET-D3LEW201

Screen aspect ratio 4:3

Unit: feet

Lens type				Zoom lens															
Projection lens Model No.				ET-D3LEW201 ¹		ET-D3LEW300		ET-D3LEW60		ET-D3LEW600		ET-D3LEW10		ET-D3LES250		ET-D3LES20		ET-D3LET30	
Throw ratio ²				0.778-1.02:1		0.925-1.12:1		1.12-1.32:1		1.12-1.54:1		1.52-2.07:1		2.01-2.90:1		2.00-2.90:1		2.88-5.61:1	
Projection screen size				Projection distance (L)															
Diagonal (SD)		Height (SH)	Width (SW)	Min. (LW)	Max. (LT)	Min. (LW)	Max. (LT)	Min. (LW)	Max. (LT)	Min. (LW)	Max. (LT)	Min. (LW)	Max. (LT)	Min. (LW)	Max. (LT)	Min. (LW)	Max. (LT)	Min. (LW)	Max. (LT)
m	inches																		
1.778	70	3.500	4.667	-	-	4.27	5.18	5.09	6.07	5.04	7.01	6.89	9.48	9.19	13.34	9.19	13.35	13.19	25.85
2.032	80	4.000	5.333	-	-	4.89	5.94	5.84	6.99	5.80	8.07	7.94	10.89	10.55	15.30	10.53	15.32	15.12	29.63
2.286	90	4.500	6.000	-	-	5.51	6.69	6.59	7.87	6.56	9.13	8.96	12.30	11.91	17.26	11.88	17.29	17.09	33.40
2.540	100	5.000	6.667	-	-	6.14	7.45	7.35	8.79	7.32	10.19	9.97	13.71	13.27	19.22	13.22	19.23	19.03	37.20
3.048	120	6.000	8.000	-	-	7.38	8.96	8.86	10.56	8.84	12.30	12.04	16.50	15.98	23.15	15.94	23.16	22.93	44.75
3.810	150	7.500	10.000	-	-	9.25	11.22	11.09	13.29	11.12	15.47	15.12	20.70	20.06	29.03	19.98	29.04	28.74	56.10
5.080	200	10.000	13.333	10.37	13.65	12.37	14.96	14.86	17.78	14.92	20.76	20.24	27.72	26.84	38.84	26.74	38.84	38.48	75.00
6.350	250	12.500	16.667	13.02	17.16	15.45	18.73	18.63	22.31	18.72	26.05	25.39	34.74	33.63	48.64	33.46	48.65	48.19	93.93
7.620	300	15.000	20.000	15.72	20.67	18.57	22.51	22.41	26.80	22.52	31.34	30.51	41.76	40.42	58.45	40.22	58.46	57.91	112.83
8.890	350	17.500	23.333	18.37	24.18	21.69	26.25	26.15	31.33	26.32	36.62	35.66	48.79	47.21	68.25	46.98	68.27	67.62	131.72
10.160	400	20.000	26.667	21.06	27.66	24.80	30.02	29.92	35.83	30.12	41.91	40.78	55.81	53.99	78.06	53.74	78.08	77.36	150.62
12.700	500	25.000	33.333	26.41	34.68	31.00	37.53	37.43	44.85	37.71	52.49	51.05	69.85	67.57	97.67	67.22	97.70	96.78	188.45
15.240	600	30.000	40.000	31.73	41.67	37.24	45.08	44.98	53.87	45.31	63.06	61.32	83.86	81.15	117.29	80.74	117.32	116.24	226.28
17.780	700	35.000	46.667	-	-	43.47	52.59	52.49	62.89	52.91	73.64	71.59	97.90	94.72	136.90	94.22	136.94	135.69	264.07
20.320	800	40.000	53.333	-	-	49.67	60.10	60.04	71.92	60.51	84.21	81.86	111.94	108.30	156.51	107.74	156.56	155.12	301.90
22.860	900	45.000	60.000	-	-	55.90	67.65	67.55	80.90	68.10	94.79	92.16	125.98	121.87	176.12	121.23	176.18	174.57	339.69
25.400	1000	50.000	66.667	-	-	62.11	75.16	75.10	89.93	75.70	105.36	102.43	139.99	135.45	195.74	134.74	195.80	193.99	377.39

Lens type				Zoom lens				Fixed-Focus Lens						
Projection lens Model No.				ET-D3LET40		ET-D3LET80		ET-D3LEU101 ¹		ET-D3LEW50		ET-D75LE95 ¹		
Throw ratio ²				5.54-8.90:1		8.82-16.6:1		0.446:1		0.836:1		0.436:1		
Projection screen size				Projection distance (L)						Projection distance (L1)	Distance between the projector and the screen			
Diagonal (SD)		Height (SH)	Width (SW)	Min. (LW)	Max. (LT)	Min. (LW)	Max. (LT)	Fixed	Fixed		(L4)	(A1)		
m	inches													
1.778	70	3.500	4.667	25.52	41.21	40.45	77.00	-	3.77	-	-	-		
2.032	80	4.000	5.333	29.26	47.18	46.42	88.19	-	4.36	-	-	-		
2.286	90	4.500	6.000	33.00	53.15	52.39	99.34	-	4.92	-	-	-		
2.540	100	5.000	6.667	36.71	59.15	58.33	110.53	-	5.48	-	-	-		
3.048	120	6.000	8.000	44.16	71.09	70.27	132.87	-	6.63	3.50	-0.02	0.66-1.26		
3.810	150	7.500	10.000	55.35	89.01	88.16	166.37	-	8.37	4.36	0.84	0.93-1.68		
5.080	200	10.000	13.333	73.98	118.90	117.98	222.21	5.94	11.22	5.79	2.27	1.38-2.38		
6.350	250	12.500	16.667	92.62	148.75	147.77	278.05	7.48	14.07	7.22	3.70	1.83-3.08		
7.620	300	15.000	20.000	111.25	178.64	177.59	333.92	9.02	16.96	8.65	5.13	2.28-3.78		
8.890	350	17.500	23.333	129.89	208.49	207.38	389.76	10.56	19.82	10.08	6.56	2.73-4.48		
10.160	400	20.000	26.667	148.52	238.38	237.20	445.60	12.11	22.67	11.51	7.99	3.18-5.18		
12.700	500	25.000	33.333	185.79	298.13	296.81	557.31	15.19	28.41	14.37	10.85	4.08-6.58		
15.240	600	30.000	40.000	223.06	357.87	356.43	668.99	18.24	34.12	17.23	13.71	4.98-7.98		
17.780	700	35.000	46.667	260.33	417.61	416.04	-	-	39.86	-	-	-		
20.320	800	40.000	53.333	297.57	477.36	475.65	-	-	45.60	-	-	-		
22.860	900	45.000	60.000	334.84	537.10	535.26	-	-	51.31	-	-	-		
25.400	1000	50.000	66.667	372.11	596.84	594.91	-	-	57.05	-	-	-		

- 1 When the Zoom lens (Model No.: ET-D3LEW201) Fixed-focus Lens (Model No.: ET-D3LEU101, ET-D75LE95) or the Fisheye Lens (Model No.: ET-D3LEF70) is used, the projection relation between the screen and the projector differs from that of other lenses.
- 2 The throw ratio is based on the value during projection with the projected image size of 150 in. However, the throw ratio for the following projection lenses is based on the value during projection with the projected image size of 5.08m [200 in]. ET-D3LEU101, ET-D3LEW201

Screen aspect ratio 21:9

Unit: meters

Lens type				Zoom lens															
Projection lens Model No.				ET-D3LEW201 ¹	ET-D3LEW300	ET-D3LEW60	ET-D3LEW600	ET-D3LEW10	ET-D3LES250	ET-D3LES20	ET-D3LET30								
Throw ratio ²				0.649-0.854:1	0.772-0.936:1	0.927-1.10:1	0.93-1.29:1	1.27-1.72:1	1.67-2.42:1	1.67-2.42:1	2.41-4.68:1								
Projection screen size				Projection distance (L)															
Diagonal (SD)		Height (SH)	Width (SW)	Min. (LW)	Max. (LT)	Min. (LW)	Max. (LT)	Min. (LW)	Max. (LT)	Min. (LW)	Max. (LT)	Min. (LW)	Max. (LT)	Min. (LW)	Max. (LT)	Min. (LW)	Max. (LT)	Min. (LW)	Max. (LT)
m	inches																		
1.778	70	0.700	1.634	-	-	1.25	1.52	1.48	1.77	1.47	2.05	2.02	2.77	2.67	3.89	2.68	3.90	3.86	7.55
2.032	80	0.800	1.868	-	-	1.43	1.74	1.70	2.04	1.70	2.36	2.32	3.18	3.07	4.47	3.08	4.47	4.42	8.66
2.286	90	0.900	2.101	-	-	1.61	1.96	1.93	2.30	1.92	2.67	2.62	3.59	3.46	5.04	3.47	5.05	4.99	9.77
2.540	100	1.001	2.335	-	-	1.79	2.18	2.15	2.56	2.14	2.98	2.92	4.00	3.86	5.61	3.87	5.62	5.56	10.87
3.048	120	1.201	2.802	-	-	2.16	2.62	2.59	3.09	2.58	3.60	3.52	4.82	4.65	6.76	4.66	6.77	6.70	13.09
3.810	150	1.501	3.502	-	-	2.70	3.28	3.25	3.88	3.25	4.52	4.42	6.06	5.83	8.48	5.84	8.49	8.41	16.40
5.080	200	2.001	4.669	3.03	3.99	3.61	4.38	4.35	5.20	4.36	6.07	5.92	8.11	7.81	11.35	7.82	11.36	11.25	21.94
6.350	250	2.501	5.837	3.81	5.02	4.52	5.48	5.45	6.52	5.47	7.62	7.42	10.16	9.78	14.21	9.79	14.23	14.09	27.47
7.620	300	3.002	7.004	4.59	6.04	5.43	6.58	6.55	7.84	6.59	9.17	8.93	12.21	11.76	17.08	11.77	17.10	16.94	33.00
8.890	350	3.502	8.171	5.37	7.06	6.34	7.68	7.65	9.16	7.70	10.71	10.43	14.27	13.74	19.95	13.74	19.97	19.78	38.53
10.160	400	4.002	9.339	6.15	8.09	7.25	8.79	8.75	10.48	8.81	12.26	11.93	16.32	15.71	22.81	15.72	22.84	22.62	44.06
12.700	500	5.003	11.673	7.72	10.14	9.07	10.99	10.95	13.12	11.03	15.36	14.93	20.43	19.66	28.55	19.66	28.58	28.31	55.12
15.240	600	6.003	14.008	9.28	12.19	10.89	13.19	13.15	15.75	13.26	18.45	17.94	24.53	23.61	34.28	23.61	34.32	34.00	66.18
17.780	700	7.004	16.342	-	-	12.71	15.39	15.36	18.39	15.48	21.55	20.94	28.64	27.56	40.01	27.56	40.06	39.69	77.25
20.320	800	8.004	18.677	-	-	14.53	17.59	17.56	21.03	17.70	24.64	23.95	32.74	31.52	45.74	31.51	45.80	45.37	88.31
22.860	900	9.005	21.012	-	-	16.35	19.80	19.76	23.67	19.93	27.74	26.95	36.85	35.47	51.48	35.46	51.53	51.06	99.37
25.400	1000	10.006	23.346	-	-	18.17	22.00	21.96	26.31	22.15	30.83	29.96	40.95	39.42	57.21	39.41	57.27	56.75	110.43

Lens type				Zoom lens				Fixed-Focus Lens				
Projection lens Model No.				ET-D3LET40	ET-D3LET80	ET-D3LEU101 ¹	ET-D3LEW50	ET-D75LE95 ¹				
Throw ratio ²				4.63-7.43:1	7.36-13.8:1	0.372:1	0.698:1	0.365:1				
Projection screen size				Projection distance (L)						Projection distance (L1)	Distance between the projector and the screen	
Diagonal (SD)		Height (SH)	Width (SW)	Min. (LW)	Max. (LT)	Min. (LW)	Max. (LT)	Fixed	Fixed		(L4)	(A1)
m	inches											
1.778	70	0.700	1.634	7.46	12.05	11.82	22.51	-	1.10	-	-	-
2.032	80	0.800	1.868	8.55	13.80	13.57	25.78	-	1.27	-	-	-
2.286	90	0.900	2.101	9.64	15.55	15.31	29.05	-	1.44	-	-	-
2.540	100	1.001	2.335	10.73	17.29	17.05	32.32	-	1.60	-	-	-
3.048	120	1.201	2.802	12.91	20.79	20.54	38.85	-	1.94	1.02	-0.05	0.48-0.66
3.810	150	1.501	3.502	16.19	26.03	25.77	48.65	-	2.44	1.27	0.20	0.63-0.86
5.080	200	2.001	4.669	21.64	34.77	34.49	64.99	1.74	3.28	1.69	0.62	0.89-1.18
6.350	250	2.501	5.837	27.09	43.51	43.21	81.33	2.19	4.12	2.11	1.04	1.14-1.51
7.620	300	3.002	7.004	32.54	52.25	51.93	97.67	2.64	4.96	2.53	1.46	1.40-1.84
8.890	350	3.502	8.171	37.99	60.99	60.65	114.00	3.09	5.79	2.95	1.88	1.65-2.17
10.160	400	4.002	9.339	43.44	69.73	69.37	130.34	3.54	6.63	3.37	2.29	1.90-2.50
12.700	500	5.003	11.673	54.34	87.20	86.81	163.02	4.44	8.31	4.20	3.13	2.41-3.15
15.240	600	6.003	14.008	65.24	104.68	104.25	195.69	5.34	9.98	5.04	3.97	2.92-3.81
17.780	700	7.004	16.342	76.15	122.16	121.69	-	-	11.66	-	-	-
20.320	800	8.004	18.677	87.05	139.64	139.13	-	-	13.33	-	-	-
22.860	900	9.005	21.012	97.95	157.11	156.57	-	-	15.01	-	-	-
25.400	1000	10.006	23.346	108.85	174.59	174.01	-	-	16.68	-	-	-

- 1 When the Zoom lens (Model No.: ET-D3LEW201) Fixed-focus Lens (Model No.: ET-D3LEU101, ET-D75LE95) or the Fisheye Lens (Model No.: ET-D3LEF70) is used, the projection relation between the screen and the projector differs from that of other lenses.
- 2 The throw ratio is based on the value during projection with the projected image size of 150 in. However, the throw ratio for the following projection lenses is based on the value during projection with the projected image size of 5.08m [200 in]. ET-D3LEU101, ET-D3LEW201

Screen aspect ratio 21:9

Unit: feet

Lens type				Zoom lens															
Projection lens Model No.				ET-D3LEW201 ¹		ET-D3LEW300		ET-D3LEW60		ET-D3LEW600		ET-D3LEW10		ET-D3LES250		ET-D3LES20		ET-D3LET30	
Throw ratio ²				0.649-0.854:1		0.772-0.936:1		0.927-1.10:1		0.93-1.29:1		1.27-1.72:1		1.67-2.42:1		1.67-2.42:1		2.41-4.68:1	
Projection screen size				Projection distance (L)															
Diagonal (SD)		Height (SH)	Width (SW)	Min. (LW)	Max. (LT)	Min. (LW)	Max. (LT)	Min. (LW)	Max. (LT)	Min. (LW)	Max. (LT)	Min. (LW)	Max. (LT)	Min. (LW)	Max. (LT)	Min. (LW)	Max. (LT)	Min. (LW)	Max. (LT)
m	inches																		
1.778	70	2.298	5.362	-	-	4.09	4.98	4.87	5.82	4.83	6.72	6.61	9.09	8.77	12.78	8.80	12.80	12.65	24.78
2.032	80	2.626	6.128	-	-	4.69	5.70	5.59	6.68	5.56	7.73	7.60	10.44	10.06	14.66	10.09	14.68	14.51	28.41
2.286	90	2.954	6.894	-	-	5.28	6.43	6.32	7.55	6.29	8.75	8.59	11.79	11.36	16.54	11.39	16.56	16.38	32.04
2.540	100	3.283	7.660	-	-	5.88	7.15	7.04	8.41	7.02	9.77	9.57	13.13	12.65	18.42	12.69	18.45	18.25	35.67
3.048	120	3.939	9.191	-	-	7.08	8.59	8.48	10.14	8.48	11.80	11.54	15.83	15.25	22.18	15.28	22.21	21.98	42.93
3.810	150	4.924	11.489	-	-	8.87	10.76	10.65	12.74	10.67	14.84	14.50	19.87	19.14	27.82	19.16	27.86	27.58	53.82
5.080	200	6.565	15.319	9.93	13.09	11.85	14.37	14.26	17.07	14.31	19.92	19.43	26.60	25.62	37.23	25.64	37.28	36.91	71.97
6.350	250	8.207	19.149	12.50	16.45	14.84	17.99	17.87	21.40	17.96	25.00	24.36	33.34	32.10	46.63	32.12	46.69	46.24	90.11
7.620	300	9.848	22.979	15.06	19.82	17.82	21.60	21.49	25.72	21.61	30.07	29.28	40.07	38.58	56.04	38.60	56.10	55.57	108.26
8.890	350	11.489	26.808	17.63	23.18	20.81	25.21	25.10	30.05	25.26	35.15	34.21	46.81	45.06	65.44	45.08	65.52	64.90	126.41
10.160	400	13.131	30.638	20.19	26.54	23.79	28.82	28.71	34.38	28.90	40.23	39.14	53.54	51.54	74.84	51.56	74.93	74.23	144.55
12.700	500	16.413	38.298	25.32	33.26	29.76	36.05	35.93	43.03	36.20	50.38	49.00	67.01	64.51	93.65	64.52	93.76	92.88	180.84
15.240	600	19.696	45.957	30.45	39.98	35.73	43.27	43.16	51.69	43.49	60.54	58.85	80.48	77.47	112.46	77.48	112.59	111.54	217.14
17.780	700	22.979	53.617	-	-	41.70	50.50	50.38	60.34	50.79	70.69	68.71	93.95	90.43	131.27	90.43	131.42	130.20	253.43
20.320	800	26.261	61.276	-	-	47.67	57.72	57.61	69.00	58.08	80.85	78.57	107.42	103.40	150.08	103.39	150.25	148.86	289.72
22.860	900	29.544	68.936	-	-	53.64	64.95	64.83	77.65	65.37	91.00	88.42	120.89	116.36	168.89	116.35	169.08	167.52	326.02
25.400	1000	32.827	76.595	-	-	59.61	72.17	72.06	86.31	72.67	101.15	98.28	134.36	129.32	187.70	129.31	187.90	186.18	362.31

Lens type				Zoom lens				Fixed-Focus Lens						
Projection lens Model No.				ET-D3LET40		ET-D3LET80		ET-D3LEU101 ¹		ET-D3LEW50		ET-D75LE95 ¹		
Throw ratio ²				4.63-7.43:1		7.36-13.8:1		0.372:1		0.698:1		0.365:1		
Projection screen size				Projection distance (L)						Projection distance (L1)	Distance between the projector and the screen			
Diagonal (SD)		Height (SH)	Width (SW)	Min. (LW)	Max. (LT)	Min. (LW)	Max. (LT)	Fixed	Fixed		(L4)	(A1)		
m	inches													
1.778	70	2.298	5.362	24.49	39.53	38.79	73.86	-	3.61	-	-	-		
2.032	80	2.626	6.128	28.06	45.27	44.51	84.58	-	4.16	-	-	-		
2.286	90	2.954	6.894	31.64	51.00	50.23	95.30	-	4.71	-	-	-		
2.540	100	3.283	7.660	35.22	56.74	55.95	106.02	-	5.26	-	-	-		
3.048	120	3.939	9.191	42.37	68.20	67.39	127.46	-	6.36	3.36	-0.16	1.58-2.16		
3.810	150	4.924	11.489	53.10	85.41	84.56	159.62	-	8.01	4.18	0.66	2.08-2.81		
5.080	200	6.565	15.319	70.99	114.08	113.17	213.23	5.69	10.76	5.56	2.04	2.91-3.88		
6.350	250	8.207	19.149	88.87	142.75	141.78	266.83	7.17	13.51	6.93	3.41	3.74-4.96		
7.620	300	9.848	22.979	106.75	171.42	170.38	320.43	8.65	16.26	8.30	4.78	4.58-6.04		
8.890	350	11.489	26.808	124.64	200.09	198.99	374.03	10.13	19.01	9.67	6.15	5.41-7.11		
10.160	400	13.131	30.638	142.52	228.76	227.60	427.63	11.60	21.76	11.04	7.53	6.24-8.19		
12.700	500	16.413	38.298	178.29	286.10	284.82	534.84	14.56	27.25	13.79	10.27	7.91-10.34		
15.240	600	19.696	45.957	214.05	343.44	342.04	642.04	17.51	32.75	16.53	13.02	9.57-12.49		
17.780	700	22.979	53.617	249.82	400.78	399.25	-	-	38.25	-	-	-		
20.320	800	26.261	61.276	285.59	458.12	456.47	-	-	43.74	-	-	-		
22.860	900	29.544	68.936	321.35	515.46	513.69	-	-	49.24	-	-	-		
25.400	1000	32.827	76.595	357.12	572.80	570.91	-	-	54.74	-	-	-		

- 1 When the Zoom lens (Model No.: ET-D3LEW201) Fixed-focus Lens (Model No.: ET-D3LEU101, ET-D75LE95) or the Fisheye Lens (Model No.: ET-D3LEF70) is used, the projection relation between the screen and the projector differs from that of other lenses.
- 2 The throw ratio is based on the value during projection with the projected image size of 150 in. However, the throw ratio for the following projection lenses is based on the value during projection with the projected image size of 5.08m [200 in]. ET-D3LEU101, ET-D3LEW201

Calculation of the projection distance

To use a projected image size not listed in this manual, check the projected image size SD (m) and use the respective formula to calculate the value. The unit of all the formulae is m. (Values obtained by the following calculation formulae contain a slight error.)

When calculating the value using image size designation (value in inches), multiply the value in inches by 0.0254 and substitute it into SD in the formula.

Zoom lens

Unit: m

Projection lens Model No.	Aspect ratio	Throw ratio	Projection distance (L) formula	
			Min. (LW)	Max. (LT)
ET-D3LEW201	16:10	0.645-0.850:1	$=0.5665 \times SD - 0.1001$	$=0.7425 \times SD - 0.1076$
	16:9	0.646-0.851:1	$=0.5823 \times SD - 0.1001$	$=0.7632 \times SD - 0.1076$
	4:3	0.778-1.02:1	$=0.6414 \times SD - 0.1001$	$=0.8406 \times SD - 0.1076$
	21:9	0.649-0.854:1	$=0.6156 \times SD - 0.1001$	$=0.8068 \times SD - 0.1076$
ET-D3LEW300	16:10	0.770-0.933:1	$=0.6594 \times SD - 0.0272$	$=0.7976 \times SD - 0.0231$
	16:9	0.770-0.933:1	$=0.6777 \times SD - 0.0272$	$=0.8197 \times SD - 0.0231$
	4:3	0.925-1.12:1	$=0.7465 \times SD - 0.0272$	$=0.9029 \times SD - 0.0231$
	21:9	0.772-0.936:1	$=0.7164 \times SD - 0.0272$	$=0.8670 \times SD - 0.0231$
ET-D3LEW60	16:10	0.924-1.10:1	$=0.7979 \times SD - 0.0566$	$=0.9559 \times SD - 0.0736$
	16:9	0.924-1.10:1	$=0.8201 \times SD - 0.0566$	$=0.9825 \times SD - 0.0736$
	4:3	1.12-1.32:1	$=0.9032 \times SD - 0.0566$	$=1.0822 \times SD - 0.0736$
	21:9	0.927-1.10:1	$=0.8669 \times SD - 0.0566$	$=1.0386 \times SD - 0.0736$
ET-D3LEW600	16:10	0.924-1.28:1	$=0.8054 \times SD - 0.0835$	$=1.1209 \times SD - 0.1185$
	16:9	0.925-1.28:1	$=0.8278 \times SD - 0.0835$	$=1.1521 \times SD - 0.1185$
	4:3	1.12-1.54:1	$=0.9117 \times SD - 0.0835$	$=1.2690 \times SD - 0.1185$
	21:9	0.93-1.29:1	$=0.8753 \times SD - 0.0835$	$=1.2185 \times SD - 0.1185$
ET-D3LEW10	16:10	1.26-1.72:1	$=1.0886 \times SD - 0.0867$	$=1.4876 \times SD - 0.1025$
	16:9	1.26-1.72:1	$=1.1188 \times SD - 0.0867$	$=1.5290 \times SD - 0.1025$
	4:3	1.52-2.07:1	$=1.2324 \times SD - 0.0867$	$=1.6841 \times SD - 0.1025$
	21:9	1.27-1.72:1	$=1.1828 \times SD - 0.0867$	$=1.6163 \times SD - 0.1025$
ET-D3LES250	16:10	1.67-2.41:1	$=1.4390 \times SD - 0.0941$	$=2.0789 \times SD - 0.1187$
	16:9	1.67-2.41:1	$=1.4790 \times SD - 0.0941$	$=2.1367 \times SD - 0.1187$
	4:3	2.01-2.90:1	$=1.6291 \times SD - 0.0941$	$=2.3535 \times SD - 0.1187$
	21:9	1.67-2.42:1	$=1.5556 \times SD - 0.0941$	$=2.2570 \times SD - 0.1187$
ET-D3LES20	16:10	1.67-2.41:1	$=1.4312 \times SD - 0.0832$	$=2.0795 \times SD - 0.1162$
	16:9	1.67-2.41:1	$=1.4709 \times SD - 0.0832$	$=2.1373 \times SD - 0.1162$
	4:3	2.00-2.90:1	$=1.6202 \times SD - 0.0832$	$=2.3542 \times SD - 0.1162$
	21:9	1.67-2.42:1	$=1.5550 \times SD - 0.0832$	$=2.2594 \times SD - 0.1162$
ET-D3LET30	16:10	2.40-4.66:1	$=2.0609 \times SD - 0.1261$	$=4.0084 \times SD - 0.1892$
	16:9	2.40-4.66:1	$=2.1182 \times SD - 0.1261$	$=4.1198 \times SD - 0.1892$
	4:3	2.88-5.61:1	$=2.3331 \times SD - 0.1261$	$=4.5378 \times SD - 0.1892$
	21:9	2.41-4.68:1	$=2.2392 \times SD - 0.1261$	$=4.3552 \times SD - 0.1892$
ET-D3LET40	16:10	4.61-7.41:1	$=3.9503 \times SD - 0.1673$	$=6.3330 \times SD - 0.1846$
	16:9	4.61-7.41:1	$=4.0601 \times SD - 0.1673$	$=6.5091 \times SD - 0.1846$
	4:3	5.54-8.90:1	$=4.4720 \times SD - 0.1673$	$=7.1694 \times SD - 0.1846$
	21:9	4.63-7.43:1	$=4.2920 \times SD - 0.1673$	$=6.8809 \times SD - 0.1846$

Projection lens Model No.	Aspect ratio	Throw ratio	Projection distance (L) formula	
			Min. (LW)	Max. (LT)
ET-D3LET80	16:10	7.34-13.8:1	$=6.3193 \times SD - 0.3862$	$=11.8400 \times SD - 0.3598$
	16:9	7.34-13.8:1	$=6.4950 \times SD - 0.3862$	$=12.1692 \times SD - 0.3598$
	4:3	8.82-16.6:1	$=7.1540 \times SD - 0.3862$	$=13.4039 \times SD - 0.3598$
	21:9	7.36-13.8:1	$=6.8661 \times SD - 0.3862$	$=12.8644 \times SD - 0.3598$

Fixed lens

Unit: m

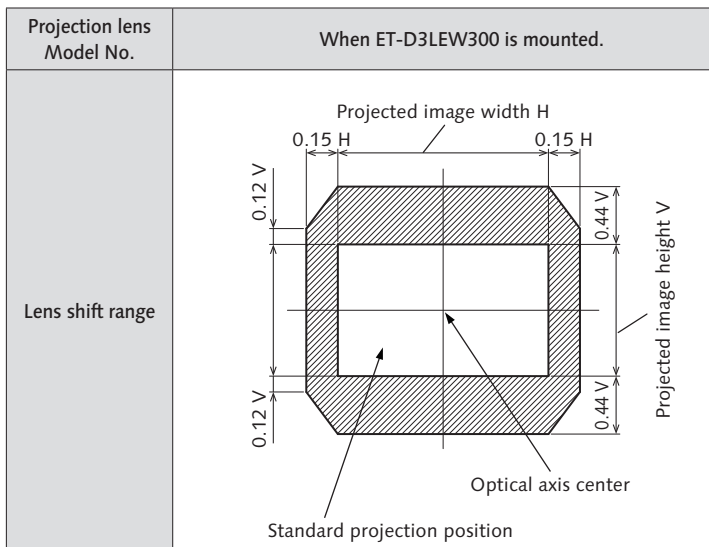
Projection lens Model No.	Aspect ratio	Throw ratio	Projection distance (L) formula
ET-D3LEU101	16:10	0.370:1	$=0.3264 \times SD - 0.0664$
	16:9	0.370:1	$=0.3355 \times SD - 0.0664$
	4:3	0.446:1	$=0.3695 \times SD - 0.0664$
	21:9	0.372:1	$=0.3546 \times SD - 0.0664$
ET-D3LEW50	16:10	0.694:1	$=0.6072 \times SD - 0.0713$
	16:9	0.695:1	$=0.6240 \times SD - 0.0713$
	4:3	0.836:1	$=0.6873 \times SD - 0.0713$
	21:9	0.698:1	$=0.6597 \times SD - 0.0713$

Projection lens Model No.	Aspect ratio	Throw ratio	Projection distance (L1) formula	Distance between the projector and the screen (A1) formula	
				Min.	Max.
ET-D75LE95	16:10	0.364:1	$=0.303 \times SD + 0.020$	$=0.180 \times SH - 0.128$	$=0.280 \times SH - 0.128$
	16:9	0.364:1	$=0.312 \times SD + 0.020$	$=0.256 \times SH - 0.128$	$=0.367 \times SH - 0.128$
	4:3	0.436:1	$=0.343 \times SD + 0.020$	$=0.180 \times SH - 0.128$	$=0.280 \times SH - 0.128$
	21:9	0.365:1	$=0.329 \times SD + 0.020$	$=0.507 \times SH - 0.128$	$=0.656 \times SH - 0.128$

Adjustment range by the lens position shift (optical shift)

Based on the standard projection position using the optical axis shift function, the projection position can be adjusted in the range shown in the following figure.

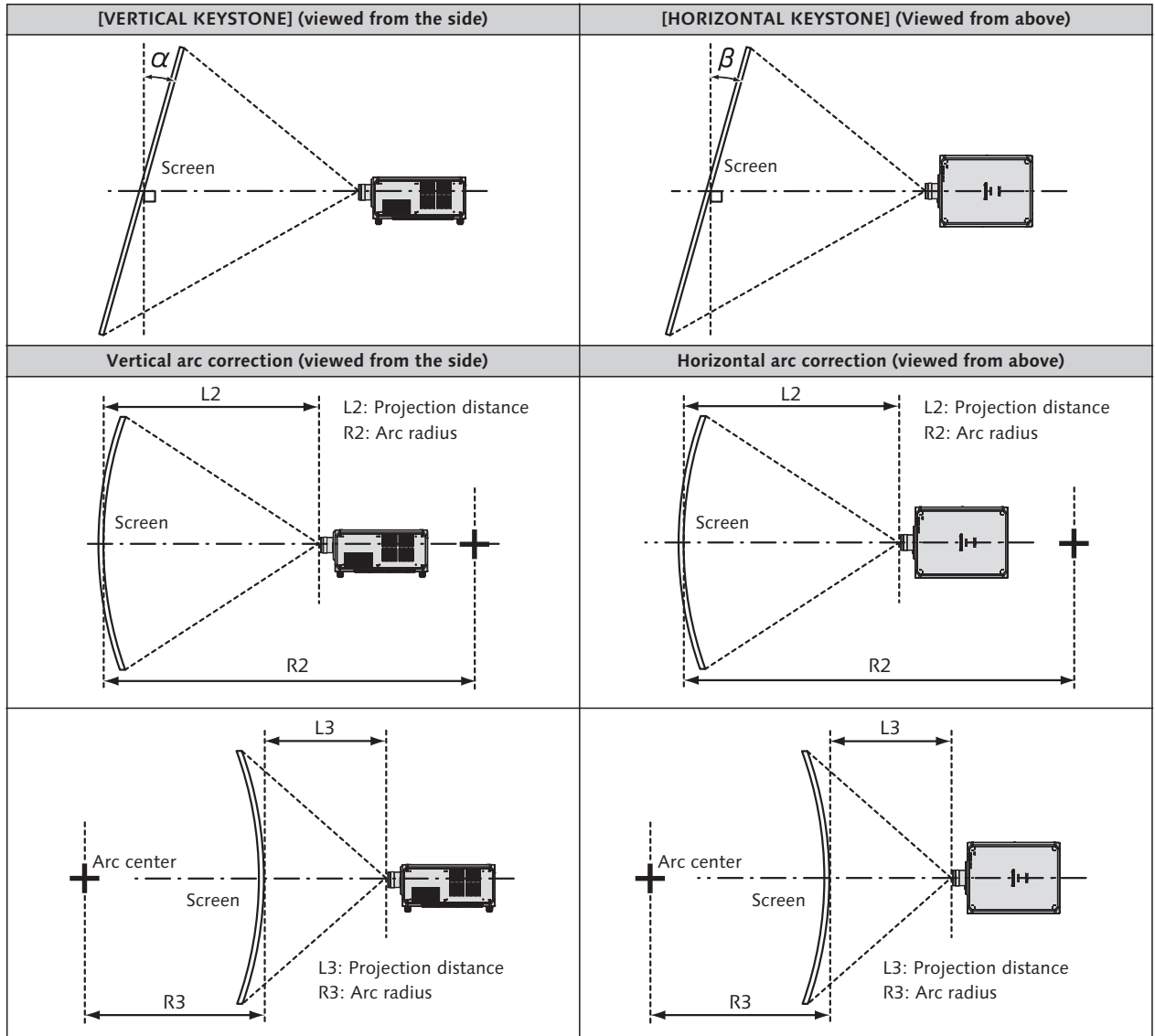
Following figure shows the adjustment range when the projector is installed on the floor.



<p>Projection lens Model No.</p>	<p>When ET-D3LEW10, ET-D3LES250, ET-D3LES20, ET-D3LET30, ET-D3LET40, ET-D3LET80 is mounted.</p>	<p>When ET-D3LEW60, ET-D3LEW600 is mounted.</p>
<p>Lens shift range</p>		
<p>Projection lens Model No.</p>	<p>When ET-D3LEW201 is mounted.</p>	<p>When ET-D3LEU101 is mounted.</p>
<p>Lens shift range</p>		
<p>Projection lens Model No.</p>	<p>When ET-D75LE95 is mounted.</p>	<p>When ET-D3LEF70 is mounted.</p>
<p>Lens shift range</p>		

- When using the fixed lens (Model No.: ET-D3LEW50) Use the projection lens in the standard projection position without adjusting the lens shift.

[GEOMETRY] projection range



Projection lens Model No.	Only [KEYSTONE] used ¹		[KEYSTONE] and [CURVED CORRECTION] used together				Only [CURVED CORRECTION] used	
	Vertical keystone correction angle α (°)	Horizontal keystone correction angle β (°)	Vertical keystone correction angle α (°)	Horizontal keystone correction angle β (°)	Min. value of R2/L2	Min. value of R3/L3	Min. value of R2/L2	Min. value of R3/L3
ET-D3LEW201	± 15	± 5	-	-	-	-	-	-
ET-D3LEW300	± 15	± 5	-	-	-	-	-	-
ET-D3LEW60 ET-D3LEW600	± 28	± 15	± 10	± 10	1.2	3.0	0.7	1.7
ET-D3LEW10	± 40	± 40	± 20	± 15	0.9	2.0	0.5	1.1
ET-D3LES250	± 40	± 40	± 20	± 15	0.7	1.3	0.4	0.7
ET-D3LES20	± 40	± 40	± 20	± 15	0.7	1.3	0.4	0.7
ET-D3LET30	± 45	± 40	± 20	± 15	0.5	0.9	0.3	0.5
ET-D3LET40	± 45	± 40	± 20	± 15	0.3	0.5	0.2	0.3
ET-D3LET80	± 45	± 40	± 20	± 15	0.2	0.3	0.1	0.2
ET-D3LEU101	± 8	± 5	-	-	-	-	-	-
ET-D3LEW50	± 22	± 15	± 8	± 8	1.5	3.7	0.9	2.2
ET-D75LE95 ²	+ 5/- 0	0	-	-	-	-	-	-

1 When [VERTICAL KEYSTONE] and [HORIZONTAL KEYSTONE] are used simultaneously, correction cannot be made exceeding total of 55°.
 2 Only the vertical keystone correction angle can be corrected in the direction in which the projector body moves away from the screen.

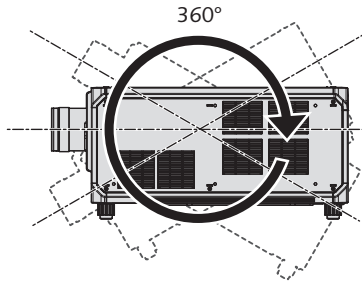
Note

- When [GEOMETRY] is used, the focus of the entire screen may be lost as correction increases.
- Make the curved screen a circular arc shape with one part of a perfect circle removed.
- Adjustment range of the [GEOMETRY] items may not match the listed projection range depending on the projection lens. Use this projector within the projection range, otherwise the correction may not work.

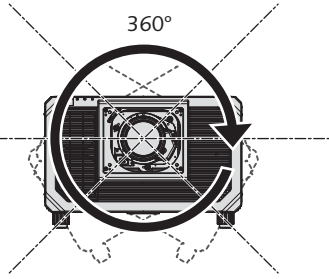
Installable angle

Install the projector at an angle within the range shown below.

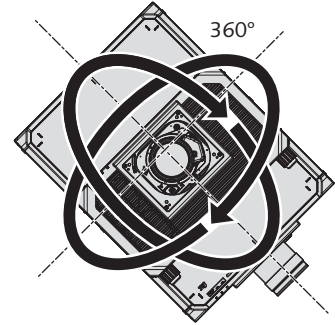
FULL 360-degree projection



Vertical 360-deg.



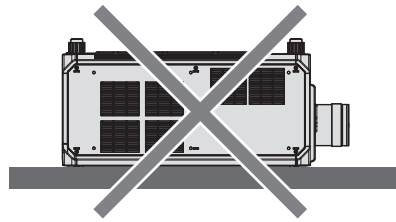
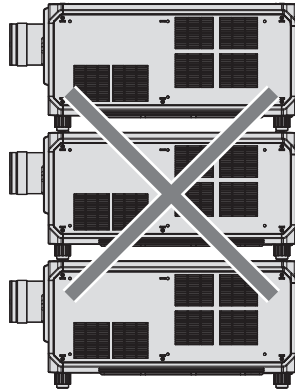
Horizontal 360-deg.



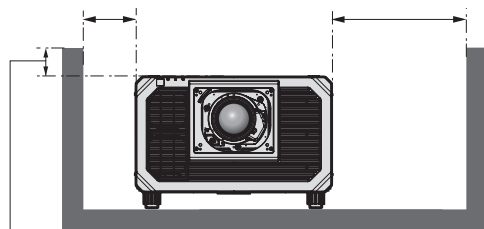
Tilting 360-deg.
(Vertical and Horizontal combination)

Notes on projector placement and operation

- Do not stack three or more projectors.
- Do not use the projector supporting it by the top.
- Do not block the intake/exhaust vents of the projector.
- Prevent hot and cool air from the air conditioning system to blow directly to the intake/exhaust vents of the projector.

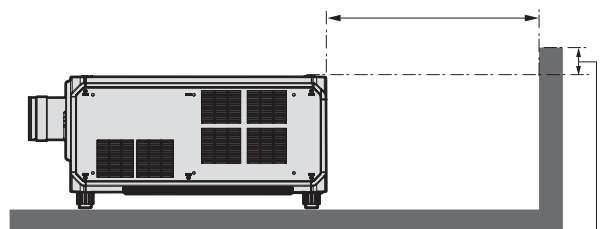


200mm [7-7/8] or longer 500mm [19-11/16] or longer

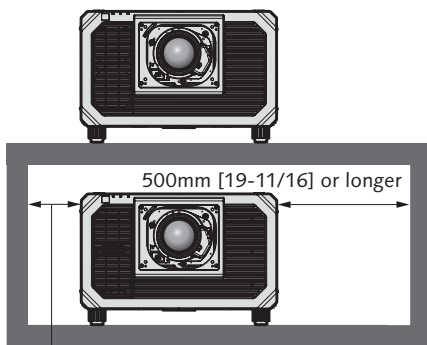


100mm [3-15/16] or shorter

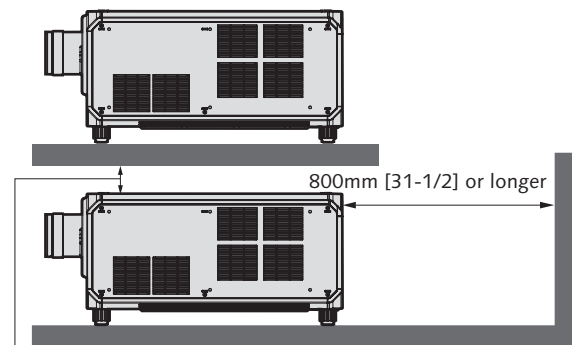
800mm [31-1/2] or longer



100mm [3-15/16] or shorter



200mm [7-7/8] or longer



100mm [3-15/16] or longer

- Do not install the projector in a confined space.
When installing the projector in a confined space, provide air conditioning or ventilation separately. Exhaust heat may accumulate when the ventilation is not enough, triggering the protection circuit of the projector.
- When installing and fixing the projector on a ceiling or wall using a mount, make sure that the fixing screw or power cord does not come in contact with the metal section inside the ceiling or wall. Failure to observe this may result in electric shocks.
- Panasonic Projector & Display Corporation. takes no responsibility for any damage to the product caused by an inappropriate choice of location for installing the projector, even if the warranty period of the product has not expired.
- Immediately remove the product that is not in use anymore by asking a qualified technician.

List of compatible signals

The following table specifies the image signals that can be input to and projected by the projector.

For SDI signals, refer to "List of single link SDI compatible signals", "List of quad link SDI compatible signals".

This projector supports the signal with ✓ in the compatible signal column.

- The content of the signal type column is as follows.
 - V: Video signal
 - C: Computer signal
 - The content of the compatible signal column is as follows.
 - Single: Single link (displays one image using one input signal.)
- * RZ44K is not support "Dual Link" of HDMI™ input.

Signal type	Signal name (SIGNAL FORMAT)	Resolution (Dots)	Scanning freq.		Dot clock freq. (MHz)	Compatible signal	
			Horizontal (kHz)	Vertical (Hz)		HDMI™	DIGITAL LINK ¹
						Single	
V	480/60p	720 x 480	31.5	59.9	27.0	✓	✓
	576/50p	720 x 576	31.3	50.0	27.0	✓	✓
	720/60p	1280 x 720	45.0	60.0 ²	74.3	✓	✓
	720/50p	1280 x 720	37.5	50.0	74.3	✓	✓
	1080/60i	1920 x 1080i	33.8	60.0 ²	74.3	✓	✓
	1080/50i	1920 x 1080i	28.1	50.0	74.3	✓	✓
	1080/24p	1920 x 1080	27.0	24.0 ²	74.3	✓	✓
	1080/25p	1920 x 1080	28.1	25.0	74.3	✓	✓
	1080/30p	1920 x 1080	33.8	30.0 ²	74.3	✓	✓
	1080/60p	1920 x 1080	67.5	60.0 ²	148.5	✓	✓
	1080/50p	1920 x 1080	56.3	50.0	148.5	✓	✓
	1080/100p	1920 x 1080	112.5	100.0 ²	297.0	✓	✓
	1080/120p	1920 x 1080	135.0	120.0 ²	297.0	✓	✓
	2K/24p	2048 x 1080	27.0	24.0 ²	74.3	✓	✓
	2K/25p	2048 x 1080	28.1	25.0	74.3	✓	✓
	2K/30p	2048 x 1080	33.8	30.0 ²	74.3	✓	✓
	2K/48p	2048 x 1080	54.0	48.0 ²	148.5	✓	✓
	2K/60p	2048 x 1080	67.5	60.0 ²	148.5	✓	✓
	2K/50p	2048 x 1080	56.3	50.0	148.5	✓	✓
	2560 x 1080/60p	2560 x 1080	66.0	60.0 ²	198.0	✓	✓
	2560 x 1080/50p	2560 x 1080	56.3	50.0	185.6	✓	✓
	3840 x 2160/24p	3840 x 2160	54.0	24.0 ²	297.0	✓	✓
	3840 x 2160/25p	3840 x 2160	56.3	25.0	297.0	✓	✓
	3840 x 2160/30p	3840 x 2160	67.5	30.0 ²	297.0	✓	✓
	3840 x 2160/60p	3840 x 2160	135.0	60.0 ²	297.0	✓ ³	✓ ³
		3840 x 2160	135.0	60.0 ²	594.0	✓	–
	3840 x 2160/50p	3840 x 2160	112.5	50.0	297.0	✓ ³	✓ ³
		3840 x 2160	112.5	50.0	594.0	✓	–
	4096 x 2160/24p	4 096 x 2160	54.0	24.0 ²	297.0	✓	✓
	4096 x 2160/25p	4 096 x 2160	56.3	25.0	297.0	✓	✓
	4096 x 2160/30p	4 096 x 2160	67.5	30.0 ²	297.0	✓	✓
	4096 x 2160/60p	4 096 x 2160	135.0	60.0 ²	297.0	✓ ³	✓ ³
		4 096 x 2160	135.0	60.0 ²	594.0	✓	–
4096 x 2160/50p	4 096 x 2160	112.5	50.0	297.0	✓ ³	✓ ³	
	4 096 x 2160	112.5	50.0	594.0	✓	–	
C	640 x 480/60	640 x 480	31.5	59.9	25.2	✓	✓
	1600 x 1200/50	1600 x 1200	61.8	49.9	131.5	✓	✓
	1600 x 1200/60	1600 x 1200	75.0	60.0	162.0	✓	✓
	1920 x 1200/50	1920 x 1200	61.8	49.9	158.3	✓	✓
	1920 x 1200/60RB	1920 x 1200 ⁴	74.0	60.0	154.0	✓	✓
	2560 x 1440/50	2560 x 1440	74.1	50.0	256.3	✓	✓
	2560 x 1440/60	2560 x 1440 ⁴	88.8	60.0	241.5	✓	✓
	2560 x 1600/50	2560 x 1600	82.4	50.0	286.0	✓	✓
	2560 x 1600/60	2560 x 1600 ⁴	98.7	60.0	268.5	✓	✓
	3440 x 1440/30	3440 x 1440 ⁴	44.0	30.0	154.7	✓	✓
	3440 x 1440/50	3440 x 1440 ⁴	73.7	50.0	259.4	✓	–
	3840 x 2400/30	3840 x 2400 ⁴	73.0	30.0	286.2	✓	✓
	3840 x 2400/50	3840 x 2400 ⁴	122.9	50.0	481.6	✓	–
3840 x 2400/60	3840 x 2400 ⁴	148.1	60.0	592.5	✓	–	

1 This is supported when the optional DIGITAL LINK Terminal Board (Model No.: TY-SB01DL) is installed in the slot.

2 The signal with 1/1.001x vertical scanning frequency is also supported.

3 YPbPr 4:2:0 format only

4 VESA CVT RB (Reduced Blanking) compliant

Note

- A signal with a different resolution, including SDI signal, is displayed converted to the number of display dots. The number of display dots is as follows.
-1920 x 1200
- The "i" at the end of the resolution indicates an interlaced signal.
- When interlaced signals are connected, flickering may occur on the projected image.
- When the DIGITAL LINK connection is made with the long-reach communication method, the signal that the projector can receive is up to 1080/60p (1920 x 1080 dots, dot clock frequency 148.5 MHz).
- Even if it is the signal listed in the list of compatible signals, it may not be displayed by the projector if the image signal is recorded in a special format.

List of plug and play compatible signals

The following table specifies the input signals compatible with plug and play. Signal with ✓ in the plug and play compatible signal column is the signal described in the EDID (extended display identification data) of the projector. For the signal without ✓ in the plug and play compatible signal column, the resolution may not be selected on the computer even if the projector is supporting it.

- The content of the signal type column is as follows.

-V: Video signal
-C: Computer signal

Signal type	Signal name (SIGNAL FORMAT)	Resolution (Dots)	Scanning freq.		Dot clock freq. (MHz)	Plug and play compatible signal					
			Horizontal (kHz)	Vertical (Hz)		HDMI™			DIGITAL LINK ¹		
						4K/60p ²	4K/30p	2K	4K/60p	4K/30p ³	2K
V	480/60p	720 x 480	31.5	59.9	27.0	✓	✓	✓	✓	✓	✓
	576/50p	720 x 576	31.3	50.0	27.0	✓	✓	✓	✓	✓	✓
	720/60p	1280 x 720	45.0	60.0 ⁴	74.3	✓	✓	✓	✓	✓	✓
	720/50p	1280 x 720	37.5	50.0	74.3	✓	✓	✓	✓	✓	✓
	1080/60i	1920 x 1080i	33.8	60.0 ⁴	74.3	✓	✓	✓	✓	✓	✓
	1080/50i	1920 x 1080i	28.1	50.0	74.3	✓	✓	✓	✓	✓	✓
	1080/24p	1920 x 1080	27.0	24.0 ⁴	74.3	✓	✓	✓	✓	✓	✓
	1080/25p	1920 x 1080	28.1	25.0	74.3	✓	✓	✓	✓	✓	✓
	1080/30p	1920 x 1080	33.8	30.0 ⁴	74.3	✓	✓	✓	✓	✓	✓
	1080/60p	1920 x 1080	67.5	60.0 ⁴	148.5	✓	✓	✓	✓	✓	✓
	1080/50p	1920 x 1080	56.3	50.0	148.5	✓	✓	✓	✓	✓	✓
	1080/100p	1920 x 1080	112.5	100.0	297.0	✓	✓	–	✓	✓	–
	1080/120p	1920 x 1080	135.0	120.0 ⁴	297.0	✓	✓	–	✓	✓	–
	2K/24p	2048 x 1080	27.0	24.0 ⁴	74.3	–	–	–	–	–	–
	2K/25p	2048 x 1080	28.1	25.0	74.3	–	–	–	–	–	–
	2K/30p	2048 x 1080	33.8	30.0 ⁴	74.3	–	–	–	–	–	–
	2K/48p	2048 x 1080	54.0	48.0 ⁴	148.5	–	–	–	–	–	–
	2K/60p	2048 x 1080	67.5	60.0 ⁴	148.5	–	–	–	–	–	–
	2K/50p	2048 x 1080	56.3	50.0	148.5	–	–	–	–	–	–
	2560 x 1080/60p	2560 x 1080	66.0	60.0 ⁴	198.0	✓	✓	–	✓	✓	–
	2560 x 1080/50p	2560 x 1080	56.3	50.0	185.6	✓	✓	–	✓	✓	–
	3840 x 2160/24p	3840 x 2160	54.0	24.0 ⁴	297.0	✓	✓	–	✓	✓	–
	3840 x 2160/25p	3840 x 2160	56.3	25.0	297.0	✓	✓	–	✓	✓	–
	3840 x 2160/30p	3840 x 2160	67.5	30.0 ⁴	297.0	✓	✓	–	✓	✓	–
	3840 x 2160/60p	3840 x 2160	135.0	60.0 ⁴	297.0	✓ ⁵	–	–	✓ ⁵	–	–
		3840 x 2160	135.0	60.0 ⁴	594.0	✓	–	–	–	–	–
	3840 x 2160/50p	3840 x 2160	112.5	50.0	297.0	✓ ⁵	–	–	✓ ⁵	–	–
		3840 x 2160	112.5	50.0	594.0	✓	–	–	–	–	–
	4096 x 2160/24p	4096 x 2160	54.0	24.0 ⁴	297.0	✓	✓	–	✓	✓	–
	4096 x 2160/25p	4096 x 2160	56.3	25.0	297.0	✓	✓	–	✓	✓	–
4096 x 2160/30p	4096 x 2160	67.5	30.0 ⁴	297.0	✓	✓	–	✓	✓	–	
4096 x 2160/60p	4096 x 2160	135.0	60.0 ⁴	297.0	✓ ⁵	–	–	✓ ⁵	–	–	
	4096 x 2160	135.0	60.0 ⁴	594.0	✓	–	–	–	–	–	
4096 x 2160/50p	4096 x 2160	112.5	50.0	297.0	✓ ⁵	–	–	✓ ⁵	–	–	
	4096 x 2160	112.5	50.0	594.0	✓	–	–	–	–	–	
C	640 x 480/60	640 x 480	31.5	59.9	25.2	✓	✓	✓	✓	✓	✓
	1600 x 1200/50	1600 x 1200	61.8	49.9	131.5	–	–	–	–	–	–
	1600 x 1200/60	1600 x 1200	75.0	60.0	162.0	✓	✓	✓	✓	✓	✓
	1920 x 1200/50	1920 x 1200	61.8	49.9	158.3	–	–	–	–	–	–
	1920 x 1200/60RB	1920 x 1200 ⁶	74.0	60.0	154.0	✓	✓	✓	✓	✓	✓
	2560 x 1440/50	2560 x 1440	74.1	50.0	256.3	–	–	–	–	–	–
	2560 x 1440/60	2560 x 1440 ⁶	88.8	60.0	241.5	–	–	–	–	–	–
	2560 x 1600/50	2560 x 1600	82.4	50.0	286.0	–	–	–	–	–	–
	2560 x 1600/60	2560 x 1600 ⁶	98.7	60.0	268.5	✓	✓	–	✓	✓	–
	3440 x 1440/30	3440 x 1440 ⁶	44.0	30.0	154.7	–	–	–	–	–	–
	3440 x 1440/50	3440 x 1440 ⁶	73.7	50.0	259.4	–	–	–	–	–	–
	3840 x 2400/30	3840 x 2400 ⁶	73.0	30.0	286.2	–	–	–	–	–	–
3840 x 2400/50	3840 x 2400 ⁶	122.9	50.0	481.6	–	–	–	–	–	–	
3840 x 2400/60	3840 x 2400 ⁶	148.1	60.0	592.5	✓	–	–	–	–	–	

1 This is supported when the optional DIGITAL LINK Terminal Board (Model No.: TY-SB01DL) is installed in the slot.

2 4K/60p indicates 4K/60p/HDR and 4K/60p/SDR.

3 4K/30p indicates 4K/30p/HDR and 4K/30p/SDR.

4 The signal with 1/1.001x vertical scanning frequency is also supported.

5 YPbPr 4:2:0 format only

6 VESA CVT-RB (Reduced Blanking)-compliant

List of single link SDI compatible signals

The following table specifies the single link SDI signals that can be input to and projected by the projector.

This is supported by the <SDI IN> terminal equipped on the projector as standard, or when the optional 12G-SDI Terminal Board (Model No.: TY-SB01QS) or the optional Function Board for 12G-SDI Optical Fiber (Model No.: TY-SB01FB) is installed in the slot.

- The content of the 4K division column is as follows.
-IL: Interleave (transmission format of 2-Sample Interleave Division)
- The content of the signal type column is as follows.
-V: Video signal

Signal type	Signal name (SIGNAL FORMAT)	Resolution (Dots)	Scanning freq.		Dot clock freq. (MHz)	4K division	Format	Color format	Sampling	
			Horizontal (kHz)	Vertical (Hz)						
V	720/60p	1280 x 720	45.0	60.0 ²	74.3	–	HD-SDI	YP _B Pr	4:2:2 10bit	
	720/50p	1280 x 720	37.5	50.0	74.3	–	HD-SDI	YP _B Pr	4:2:2 10bit	
	1080/60i	1920 x 1080i	1920 x 1080i	33.8	60.0 ²	74.3	–	HD-SDI	YP _B Pr	4:2:2 10bit
		1920 x 1080i	1920 x 1080i	33.8	60.0 ²	74.3	–	3G-SDI Level-A	RGB	4:4:4 10bit
		1920 x 1080i	1920 x 1080i	33.8	60.0 ²	74.3	–	3G-SDI Level-A	RGB	4:4:4 12bit
	1080/50i	1920 x 1080i	1920 x 1080i	28.1	50.0	74.3	–	HD-SDI	YP _B Pr	4:2:2 10bit
		1920 x 1080i	1920 x 1080i	28.1	50.0	74.3	–	3G-SDI Level-A	RGB	4:4:4 10bit
		1920 x 1080i	1920 x 1080i	28.1	50.0	74.3	–	3G-SDI Level-A	RGB	4:4:4 12bit
	1080/24p	1920 x 1080	1920 x 1080	27.0	24.0 ²	74.3	–	HD-SDI	YP _B Pr	4:2:2 10bit
		1920 x 1080	1920 x 1080	27.0	24.0 ²	74.3	–	3G-SDI Level-A	RGB	4:4:4 10bit
		1920 x 1080	1920 x 1080	27.0	24.0 ²	74.3	–	3G-SDI Level-A	RGB	4:4:4 12bit
	1080/25p	1920 x 1080	1920 x 1080	28.1	25.0	74.3	–	HD-SDI	YP _B Pr	4:2:2 10bit
		1920 x 1080	1920 x 1080	28.1	25.0	74.3	–	3G-SDI Level-A	RGB	4:4:4 10bit
		1920 x 1080	1920 x 1080	28.1	25.0	74.3	–	3G-SDI Level-A	RGB	4:4:4 12bit
	1080/30p	1920 x 1080	1920 x 1080	33.8	30.0 ²	74.3	–	HD-SDI	YP _B Pr	4:2:2 10bit
		1920 x 1080	1920 x 1080	33.8	30.0 ²	74.3	–	3G-SDI Level-A	RGB	4:4:4 10bit
		1920 x 1080	1920 x 1080	33.8	30.0 ²	74.3	–	3G-SDI Level-A	RGB	4:4:4 12bit
	1080/60p	1920 x 1080	67.5	60.0 ²	148.5	–	3G-SDI Level-A	YP _B Pr	4:2:2 10bit	
	1080/50p	1920 x 1080	56.3	50.0	148.5	–	3G-SDI Level-A	YP _B Pr	4:2:2 10bit	
	2K/24p	2048 x 1080	2048 x 1080	27.0	24.0 ²	74.3	–	3G-SDI Level-A	RGB	4:4:4 10bit
		2048 x 1080	2048 x 1080	27.0	24.0 ²	74.3	–	3G-SDI Level-A	RGB	4:4:4 12bit
	2K/25p	2048 x 1080	2048 x 1080	28.1	25.0	74.3	–	3G-SDI Level-A	RGB	4:4:4 10bit
		2048 x 1080	2048 x 1080	28.1	25.0	74.3	–	3G-SDI Level-A	RGB	4:4:4 12bit
	2K/30p	2048 x 1080	2048 x 1080	33.8	30.0 ²	74.3	–	3G-SDI Level-A	RGB	4:4:4 10bit
		2048 x 1080	2048 x 1080	33.8	30.0 ²	74.3	–	3G-SDI Level-A	RGB	4:4:4 12bit
	2K/48p ¹	2048 x 1080	2048 x 1080	54.0	48.0 ²	148.5	–	3G-SDI Level-A	YP _B Pr	4:2:2 10bit
	2K/60p	2048 x 1080	2048 x 1080	67.5	60.0 ²	148.5	–	3G-SDI Level-A	YP _B Pr	4:2:2 10bit
	2K/50p	2048 x 1080	2048 x 1080	56.3	50.0	148.5	–	3G-SDI Level-A	YP _B Pr	4:2:2 10bit
	3840 x 2160/24p	3840 x 2160 ³	3840 x 2160 ³	54.0	24.0 ²	297.0	IL	12G-SDI Type1	YP _B Pr	4:2:2 12bit
		3840 x 2160 ³	3840 x 2160 ³	54.0	24.0 ²	297.0	IL	12G-SDI Type1	YP _B Pr	4:4:4 10bit
		3840 x 2160 ³	3840 x 2160 ³	54.0	24.0 ²	297.0	IL	12G-SDI Type1	YP _B Pr	4:4:4 12bit
		3840 x 2160 ³	3840 x 2160 ³	54.0	24.0 ²	297.0	IL	12G-SDI Type1	RGB	4:4:4 10bit
		3840 x 2160 ³	3840 x 2160 ³	54.0	24.0 ²	297.0	IL	12G-SDI Type1	RGB	4:4:4 12bit
	3840 x 2160/25p	3840 x 2160 ³	3840 x 2160 ³	56.3	25.0	297.0	IL	12G-SDI Type1	YP _B Pr	4:2:2 12bit
		3840 x 2160 ³	3840 x 2160 ³	56.3	25.0	297.0	IL	12G-SDI Type1	YP _B Pr	4:4:4 10bit
		3840 x 2160 ³	3840 x 2160 ³	56.3	25.0	297.0	IL	12G-SDI Type1	YP _B Pr	4:4:4 12bit
3840 x 2160 ³		3840 x 2160 ³	56.3	25.0	297.0	IL	12G-SDI Type1	RGB	4:4:4 10bit	
3840 x 2160 ³		3840 x 2160 ³	56.3	25.0	297.0	IL	12G-SDI Type1	RGB	4:4:4 12bit	
3840 x 2160/30p	3840 x 2160 ³	3840 x 2160 ³	67.5	30.0 ²	297.0	IL	12G-SDI Type1	YP _B Pr	4:2:2 12bit	
	3840 x 2160 ³	3840 x 2160 ³	67.5	30.0 ²	297.0	IL	12G-SDI Type1	YP _B Pr	4:4:4 10bit	
	3840 x 2160 ³	3840 x 2160 ³	67.5	30.0 ²	297.0	IL	12G-SDI Type1	YP _B Pr	4:4:4 12bit	
	3840 x 2160 ³	3840 x 2160 ³	67.5	30.0 ²	297.0	IL	12G-SDI Type1	RGB	4:4:4 10bit	
3840 x 2160/60p	3840 x 2160 ³	135.0	60.0 ²	594.0	IL	12G-SDI Type1	YP _B Pr	4:2:2 10bit		
3840 x 2160/50p	3840 x 2160 ³	112.5	50.0	594.0	IL	12G-SDI Type1	YP _B Pr	4:2:2 10bit		
4096 x 2160/24p	4096 x 2160 ³	4096 x 2160 ³	54.0	24.0 ²	297.0	IL	12G-SDI Type1	YP _B Pr	4:2:2 12bit	
	4096 x 2160 ³	4096 x 2160 ³	54.0	24.0 ²	297.0	IL	12G-SDI Type1	YP _B Pr	4:4:4 10bit	
	4096 x 2160 ³	4096 x 2160 ³	54.0	24.0 ²	297.0	IL	12G-SDI Type1	YP _B Pr	4:4:4 12bit	
	4096 x 2160 ³	4096 x 2160 ³	54.0	24.0 ²	297.0	IL	12G-SDI Type1	RGB	4:4:4 10bit	
	4096 x 2160 ³	4096 x 2160 ³	54.0	24.0 ²	297.0	IL	12G-SDI Type1	RGB	4:4:4 12bit	
4096 x 2160/25p	4096 x 2160 ³	4096 x 2160 ³	56.3	25.0	297.0	IL	12G-SDI Type1	YP _B Pr	4:2:2 12bit	
	4096 x 2160 ³	4096 x 2160 ³	56.3	25.0	297.0	IL	12G-SDI Type1	YP _B Pr	4:4:4 10bit	
	4096 x 2160 ³	4096 x 2160 ³	56.3	25.0	297.0	IL	12G-SDI Type1	YP _B Pr	4:4:4 12bit	
	4096 x 2160 ³	4096 x 2160 ³	56.3	25.0	297.0	IL	12G-SDI Type1	RGB	4:4:4 10bit	
	4096 x 2160 ³	4096 x 2160 ³	56.3	25.0	297.0	IL	12G-SDI Type1	RGB	4:4:4 12bit	

Signal type	Signal name (SIGNAL FORMAT)	Resolution (Dots)	Scanning freq.		Dot clock freq. (MHz)	4K division	Format	Color format	Sampling
			Horizontal (kHz)	Vertical (Hz)					
V	4096 x 2160/30p	4096 x 2160 ³	67.5	30.0 ²	297.0	IL	12G-SDI Type1	YP _B P _R	4:2:2 12bit
		4096 x 2160 ³	67.5	30.0 ²	297.0	IL	12G-SDI Type1	YP _B P _R	4:4:4 10bit
		4096 x 2160 ³	67.5	30.0 ²	297.0	IL	12G-SDI Type1	YP _B P _R	4:4:4 12bit
		4096 x 2160 ³	67.5	30.0 ²	297.0	IL	12G-SDI Type1	RGB	4:4:4 10bit
	4096 x 2160/60p	4096 x 2160 ³	135.0	60.0 ²	594.0	IL	12G-SDI Type1	YP _B P _R	4:2:2 10bit
	4096 x 2160/50p	4096 x 2160 ³	112.5	50.0	594.0	IL	12G-SDI Type1	YP _B P _R	4:2:2 10bit

1 This is supported when the optional Function Board for 12G-SDI Optical Fiber (Model No.: TY-SB01FB) is installed in the slot.

2 The signal with 1/1.001x vertical scanning frequency is also supported.

3 This is not supported by the <SDI IN> terminal equipped as standard on PT-RZ44K.

List of quad link SDI compatible signals

The following table specifies the quad link SDI signals that can be input to and projected by the projector.

This is supported when the optional 12G-SDI Terminal Board (Model No.: TY-SB01QS) is installed in the slot.

- The content of the 4K division column is as follows.
 - SQ: Square (transmission format of Square Division)
 - IL: Interleave (transmission format of 2-Sample Interleave Division)
- The content of the signal type column is as follows.
 - V: Video signal

Signal type	Signal name (SIGNAL FORMAT)	Resolution (Dots)	Scanning freq.		Dot clock freq. (MHz)	4K division	Format	Color format	Sampling
			Horizontal (kHz)	Vertical (Hz)					
V	3840 x 2160/24p	3840 x 2160	54.0	24.0 ¹	297.0	SQ	HD-SDI	YP _B P _R	4:2:2 10bit
		3840 x 2160	54.0	24.0 ¹	297.0	SQ	3G-SDI Level-A	YP _B P _R	4:2:2 12bit
		3840 x 2160	54.0	24.0 ¹	297.0	IL	3G-SDI Level-A	YP _B P _R	4:2:2 12bit
		3840 x 2160	54.0	24.0 ¹	297.0	SQ	3G-SDI Level-A	YP _B P _R	4:4:4 10bit
		3840 x 2160	54.0	24.0 ¹	297.0	IL	3G-SDI Level-A	YP _B P _R	4:4:4 10bit
		3840 x 2160	54.0	24.0 ¹	297.0	SQ	3G-SDI Level-A	YP _B P _R	4:4:4 12bit
		3840 x 2160	54.0	24.0 ¹	297.0	IL	3G-SDI Level-A	YP _B P _R	4:4:4 12bit
		3840 x 2160	54.0	24.0 ¹	297.0	SQ	3G-SDI Level-A	RGB	4:4:4 10bit
		3840 x 2160	54.0	24.0 ¹	297.0	IL	3G-SDI Level-A	RGB	4:4:4 10bit
		3840 x 2160	54.0	24.0 ¹	297.0	SQ	3G-SDI Level-A	RGB	4:4:4 12bit
	3840 x 2160/25p	3840 x 2160	56.3	25.0	297.0	SQ	HD-SDI	YP _B P _R	4:2:2 10bit
		3840 x 2160	56.3	25.0	297.0	SQ	3G-SDI Level-A	YP _B P _R	4:2:2 12bit
		3840 x 2160	56.3	25.0	297.0	IL	3G-SDI Level-A	YP _B P _R	4:2:2 12bit
		3840 x 2160	56.3	25.0	297.0	SQ	3G-SDI Level-A	YP _B P _R	4:4:4 10bit
		3840 x 2160	56.3	25.0	297.0	IL	3G-SDI Level-A	YP _B P _R	4:4:4 10bit
		3840 x 2160	56.3	25.0	297.0	SQ	3G-SDI Level-A	YP _B P _R	4:4:4 12bit
		3840 x 2160	56.3	25.0	297.0	IL	3G-SDI Level-A	YP _B P _R	4:4:4 12bit
		3840 x 2160	56.3	25.0	297.0	SQ	3G-SDI Level-A	RGB	4:4:4 10bit
		3840 x 2160	56.3	25.0	297.0	IL	3G-SDI Level-A	RGB	4:4:4 10bit
		3840 x 2160	56.3	25.0	297.0	SQ	3G-SDI Level-A	RGB	4:4:4 12bit
	3840 x 2160/30p	3840 x 2160	67.5	30.0 ¹	297.0	SQ	HD-SDI	YP _B P _R	4:2:2 10bit
		3840 x 2160	67.5	30.0 ¹	297.0	SQ	3G-SDI Level-A	YP _B P _R	4:2:2 12bit
		3840 x 2160	67.5	30.0 ¹	297.0	IL	3G-SDI Level-A	YP _B P _R	4:2:2 12bit
		3840 x 2160	67.5	30.0 ¹	297.0	SQ	3G-SDI Level-A	YP _B P _R	4:4:4 10bit
		3840 x 2160	67.5	30.0 ¹	297.0	IL	3G-SDI Level-A	YP _B P _R	4:4:4 10bit
		3840 x 2160	67.5	30.0 ¹	297.0	SQ	3G-SDI Level-A	YP _B P _R	4:4:4 12bit
		3840 x 2160	67.5	30.0 ¹	297.0	IL	3G-SDI Level-A	YP _B P _R	4:4:4 12bit
		3840 x 2160	67.5	30.0 ¹	297.0	SQ	3G-SDI Level-A	RGB	4:4:4 10bit
		3840 x 2160	67.5	30.0 ¹	297.0	IL	3G-SDI Level-A	RGB	4:4:4 10bit
		3840 x 2160	67.5	30.0 ¹	297.0	SQ	3G-SDI Level-A	RGB	4:4:4 12bit
	3840 x 2160/60p	3840 x 2160	135.0	60.0 ¹	594.0	SQ	3G-SDI Level-A	YP _B P _R	4:2:2 10bit
		3840 x 2160	135.0	60.0 ¹	594.0	IL	3G-SDI Level-A	YP _B P _R	4:2:2 10bit
	3840 x 2160/50p	3840 x 2160	112.5	50.0	594.0	SQ	3G-SDI Level-A	YP _B P _R	4:2:2 10bit
		3840 x 2160	112.5	50.0	594.0	IL	3G-SDI Level-A	YP _B P _R	4:2:2 10bit
	4096 x 2160/24p	4096 x 2160	54.0	24.0 ¹	297.0	SQ	HD-SDI	YP _B P _R	4:2:2 10bit
		4096 x 2160	54.0	24.0 ¹	297.0	SQ	3G-SDI Level-A	YP _B P _R	4:2:2 12bit
		4096 x 2160	54.0	24.0 ¹	297.0	IL	3G-SDI Level-A	YP _B P _R	4:2:2 12bit
		4096 x 2160	54.0	24.0 ¹	297.0	SQ	3G-SDI Level-A	YP _B P _R	4:4:4 10bit
		4096 x 2160	54.0	24.0 ¹	297.0	IL	3G-SDI Level-A	YP _B P _R	4:4:4 10bit
		4096 x 2160	54.0	24.0 ¹	297.0	SQ	3G-SDI Level-A	YP _B P _R	4:4:4 12bit
		4096 x 2160	54.0	24.0 ¹	297.0	IL	3G-SDI Level-A	YP _B P _R	4:4:4 12bit
		4096 x 2160	54.0	24.0 ¹	297.0	SQ	3G-SDI Level-A	RGB	4:4:4 10bit
		4096 x 2160	54.0	24.0 ¹	297.0	IL	3G-SDI Level-A	RGB	4:4:4 10bit
		4096 x 2160	54.0	24.0 ¹	297.0	SQ	3G-SDI Level-A	RGB	4:4:4 12bit
	4096 x 2160/25p	4096 x 2160	56.3	25.0	297.0	SQ	HD-SDI	YP _B P _R	4:2:2 10bit
		4096 x 2160	56.3	25.0	297.0	SQ	3G-SDI Level-A	YP _B P _R	4:2:2 12bit
		4096 x 2160	56.3	25.0	297.0	IL	3G-SDI Level-A	YP _B P _R	4:2:2 12bit
		4096 x 2160	56.3	25.0	297.0	SQ	3G-SDI Level-A	YP _B P _R	4:4:4 10bit
		4096 x 2160	56.3	25.0	297.0	IL	3G-SDI Level-A	YP _B P _R	4:4:4 10bit

Signal type	Signal name (SIGNAL FORMAT)	Resolution (Dots)	Scanning freq.		Dot clock freq. (MHz)	4K division	Format	Color format	Sampling
			Horizontal (kHz)	Vertical (Hz)					
V	4096 x 2160/25p	4096 x 2160	56.3	25.0	297.0	IL	3G-SDI Level-A	YP _B P _R	4:4:4 12bit
		4096 x 2160	56.3	25.0	297.0	SQ	3G-SDI Level-A	RGB	4:4:4 10bit
		4096 x 2160	56.3	25.0	297.0	IL	3G-SDI Level-A	RGB	4:4:4 10bit
		4096 x 2160	56.3	25.0	297.0	SQ	3G-SDI Level-A	RGB	4:4:4 12bit
		4096 x 2160	56.3	25.0	297.0	IL	3G-SDI Level-A	RGB	4:4:4 12bit
	4096 x 2160/30p	4096 x 2160	67.5	30.0 ¹	297.0	SQ	HD-SDI	YP _B P _R	4:2:2 10bit
		4096 x 2160	67.5	30.0 ¹	297.0	SQ	3G-SDI Level-A	YP _B P _R	4:2:2 12bit
		4096 x 2160	67.5	30.0 ¹	297.0	IL	3G-SDI Level-A	YP _B P _R	4:2:2 12bit
		4096 x 2160	67.5	30.0 ¹	297.0	SQ	3G-SDI Level-A	YP _B P _R	4:4:4 10bit
		4096 x 2160	67.5	30.0 ¹	297.0	IL	3G-SDI Level-A	YP _B P _R	4:4:4 10bit
		4096 x 2160	67.5	30.0 ¹	297.0	SQ	3G-SDI Level-A	YP _B P _R	4:4:4 12bit
		4096 x 2160	67.5	30.0 ¹	297.0	IL	3G-SDI Level-A	YP _B P _R	4:4:4 12bit
		4096 x 2160	67.5	30.0 ¹	297.0	SQ	3G-SDI Level-A	RGB	4:4:4 10bit
		4096 x 2160	67.5	30.0 ¹	297.0	IL	3G-SDI Level-A	RGB	4:4:4 10bit
		4096 x 2160	67.5	30.0 ¹	297.0	SQ	3G-SDI Level-A	RGB	4:4:4 12bit
		4096 x 2160	67.5	30.0 ¹	297.0	IL	3G-SDI Level-A	RGB	4:4:4 12bit
		4096 x 2160/60p	4096 x 2160	135.0	60.0 ¹	594.0	SQ	3G-SDI Level-A	YP _B P _R
	4096 x 2160		135.0	60.0 ¹	594.0	IL	3G-SDI Level-A	YP _B P _R	4:2:2 10bit
	4096 x 2160/50p	4096 x 2160	112.5	50.0	594.0	SQ	3G-SDI Level-A	YP _B P _R	4:2:2 10bit
		4096 x 2160	112.5	50.0	594.0	IL	3G-SDI Level-A	YP _B P _R	4:2:2 10bit

1 The signal with 1/1.001x vertical scanning frequency is also supported.

List of 3D compatible signals

The following table specifies the 3D compatible image signals that can be input to and projected by the projector.

This projector supports the signal with ✓ in the 3D compatible signal column.

- Abbreviations for input formats and 3D formats in the table have the following meanings.
 - FP: Frame packing format
 - SBS: Side by side format
 - TB: Top and bottom format
 - FS: Frame sequential format
 - H1-2: HDMI™1 & HDMI™2 input simultaneous format
 - HDMI™/DL: HDMI™/DIGITAL LINK

Signal name (SIGNAL FORMAT)	Resolution (Dots)	Scanning freq.		Dot clock freq. (MHz)	3D Compatible signal						
		Horizontal (kHz)	Vertical (Hz)		HDMI™/DL ¹				H1-2	SDI ²	
					FP	SBS ³	TB	FS		SBS ³	TB
720/60p	1280 x 720	45.0	60.0	74.3	✓	✓	✓	–	✓	–	–
720/50p	1280 x 720	37.5	50.0	74.3	✓	✓	✓	–	✓	–	–
1080/60i	1920 x 1080i	33.8	60.0	74.3	–	✓	–	–	–	✓	–
1080/50i	1920 x 1080i	28.1	50.0	74.3	–	✓	–	–	–	✓	–
1080/24p	1920 x 1080	27.0	24.0	74.3	✓	✓	✓	–	✓	✓	✓
1080/25p	1920 x 1080	28.1	25.0	74.3	–	–	–	–	✓	✓	✓
1080/30p	1920 x 1080	33.8	30.0	74.3	–	–	–	–	✓	✓	✓
1080/60p	1920 x 1080	67.5	60.0	148.5	–	✓	✓	–	✓	✓	✓
1080/50p	1920 x 1080	56.3	50.0	148.5	–	✓	✓	–	✓	✓	✓
1200 x 900/104	1200 x 900 ⁴	99.6	103.9	162.5	–	–	–	✓	–	–	–
1200 x 900/120	1200 x 900 ⁴	114.4	120.0	146.4	–	–	–	✓	–	–	–
1920 x 1200/100	1920 x 1200 ⁴	125.7	99.9	261.5	–	–	–	✓ ⁵	–	–	–
1920 x 1200/120	1920 x 1200 ⁴	152.4	119.9	317.0	–	–	–	✓ ⁵	–	–	–
1920 x 1200/50	1920 x 1200	61.8	49.9	158.3	–	–	–	–	✓	–	–
1920 x 1200/60	1920 x 1200 ⁴	74.0	60.0	154.0	–	✓	–	–	✓	–	–
1920 x 1080/100	1920 x 1080 ⁴	113.2	99.9	235.5	–	–	–	✓ ⁵	–	–	–
1920 x 1080/120	1920 x 1080 ⁴	137.3	120.0	285.5	–	–	–	✓ ⁵	–	–	–

1 This is supported when the optional DIGITAL LINK Terminal Board (Model No.: TY-SB01DL) is installed in the slot.

2 This is supported by the the <SDI IN> terminal equipped on the projector as standard, or when the optional 12G-SDI Terminal Board (Model No.: TY-SB01QS) is installed in the slot.

3 Supports half.

4 VESA CVT-RB (Reduced Blanking)-compliant

5 HDMI input only