

Specifications

Main unit

Power supply		Single Phase AC100V-120V/Single Phase AC200V-240V, 50/60 Hz *The maximum value of light output is limited to less than 20,000 lm when using the projector with AC100V to AC120V. However, the maximum value of light output is further decreased in following cases. – When the Function Board is installed in the slot – When the light source is deteriorating from use or when there is dust on the optical parts	
Power consumption ¹	Maximum power consumption	AC100V-AC120V: 1430 W (1440 VA) AC200V-AC240V: 1450 W (1465 VA)	
	On-mode power consumption (Operating mode)	[Normal]	AC100V-AC120V: 1200 W * Measurement conditions (Compliant with ISO/IEC 21118:2020 measurement conditions)
		[Eco]	AC100V-AC120V: 990 W AC200V-AC240V: 950 W Operating Temperature: 25°C (77°F), Altitude: 700 m, Picture mode: [DYNAMIC], Dynamic Contrast: [OFF], HDMI™ input: All white, Other terminals: No connection
Standby mode power consumption	[Normal]	11 W	
		[Eco]	0.3 W (AC100V-AC120V), 1 W (AC200V-AC240V)
BTU value		MAX 4,950 BTU	
DLP™ chip	Size	[0.96 in] diagonal (16:10 aspect ratio)	
	Display system	DLP™ chip x 1	
	Number of pixels	2,304,000 pixels (1920 x 1200 dots)	
Refresh rate		240 Hz Refresh rate varies depending on scanning frequency.	
Light source		Laser diodes (Red LD, Green LD, Blue LD)	
Light output ^{1,2}	Operation mode	[Normal]	20,000 lm/21,000 lm (Center) ³
		[Eco]	16,000 lm
Time until light output declines to 50% ⁴	Operation mode	[Normal]	20,000 hours
		[Eco]	24,000 hours
Resolution		4K (3840 x 2400 dots) (Quad Pixel Drive: ON)	
Contrast ratio ¹		25,000:1 (All White/All Black, Dynamic Contrast [3])	
Screen size (diagonal)		1.78-25.40 m [70-1000 in] 1.78-15.24 m [70-600 in] (with ET-D3LET80) 5.08-15.24 m [200-600 in] (with ET-D3LEU101,ET-D3LEW201) 3.05-15.24 m [120-600 in] (with ET-D75LE95)	
Center to corner zone ratio ¹		90%	
Lens		Optional (no lens included with this model)	
Lens shift (From the origin point of the lens mounter)	Drive system	Powered	
	Vertical	(Max) ±55% (with ET-D3LEW10, ET-D3LES20, ET-D3LES250, ET-D3LET30,ET-D3LET40, ET-D3LEF70, ET-D3LET80) (Max) ±44% (with ET-D3LEW60, ET-D3LEW300, ET-D3LEW600) (Max) +68-+78% (with ET-D75LE95) (Max) ±55% (with ET-D3LEU101) (Max) ±48% (with ET-D3LEW201)	
		Horizontal	(Max) ±20% (with ET-D3LEW10, ET-D3LES20, ET-D3LES250, ET-D3LET30,ET-D3LET40, ET-D3LEF70, ET-D3LET80) (Max) ±15% (with ET-D3LEW60, ET-D3LEW300, ET-D3LEW600) (Max) ±12% (with ET-D75LE95) (Max) 0-25% (with ET-D3LEU101) (Max) ±15% (with ET-D3LEW201)
Installation		Ceiling/floor, front/rear, free 360-degree installation	
Compatible Signal	HDMI™ signal input	Moving image signal resolution: 480/60p, 576/50p to 4096 x 2160/60p Still image signal resolution: 640 x 480 to 3840 x 2400 (non-interlace) Dot clock frequency: 25.2 MHz to 594 MHz	
	DIGITAL LINK ⁵ signal input	Moving image signal resolution: 480/60p, 576/50p to 4096 x 2160/60p Still image signal resolution: 640 x 480 to 3840 x 2400 (non-interlace) Dot clock frequency: 25.2 MHz to 297 MHz	
	SDI ⁶ signal input	HD-SDI signal, 3G-SDI signal, 12G-SDI signal	
	SDI OPT ⁷ signal input	HD-SDI signal, 3G-SDI signal, 12G-SDI signal	
Terminals	<SDI IN (12G/3G/HD)>	BNC x 1 12G/3G/HD-SDI signal compatible	
	<HDMI™ 1 IN> <HDMI™ 2 IN>	HDMI™ x 2 Deep Color, compatible with HDCP2.3, 4K/60p signal ⁸	
	<MULTI PROJECTOR SYNC IN>	BNC x 1 TTL high impedance	
	<MULTI PROJECTOR SYNC OUT>	BNC x 1 TTL output: Maximum 10 mA	

Terminals	<SERIAL IN>	D-sub 9-pin (female) x 1 for external control (RS-232C compliant)	
	<REMOTE IN>	M3 stereo mini-jack x 1 for wired remote control	
	<REMOTE OUT>	M3 stereo mini-jack x 1 for link control (for wired remote control)	
	<LAN>	RJ-45 x 1 for network connection, PLink™ (class 2) compatible, 10Base-T/100Base-TX, Art-Net compatible	
	<USB (DC OUT)>	USB connector (type A) x 1 for connecting the optional Wireless Module (Model No.:AJ-WM50 Series), for connecting USB memory, for power supply (DC 5V, maximum 2A)	
	<SLOT>	SLOT x 1 Open slot, for function boards, Intel® SDM compatible	
Supported Internet Protocol version		IPv4, IPv6 ⁹	
Power cord length		3.0 m [118 1/8 in]	
Cabinet materials		Molded plastic, Processed metal parts	
Dimension	Width	excluding protrusions	590 mm [23 7/32 in]
		including protrusions	594 mm [23 3/8 in]
	Height	excluding protrusions	220 mm [8 21/32 in]
		including protrusions	270 mm [10 5/8 in]
	Depth	excluding protrusions	600 mm [23 5/8 in]
		including protrusions	615 mm [24 7/32 in]
Weight ¹⁰		Approx. 38.7 Kg (85.3 lbs)	
Operating noise ¹		[Normal]	42 dB
		[Eco]	42 dB
Laser Classification	Laser Class	Class 1 (IEC 60825-1:2014)	
	Risk Group	Risk Group 3 (IEC 62471-5:2015) (TBD)	
Operating environment	Operating temperature	0-45°C (32-113°F) ¹¹	
	Operating humidity	10-80 % (no condensation)	

Remote control unit

Power supply		3V DC (AA/R6 type battery x 2)
Operation range		Approx. 30 m [98 ft 5 in] (when operated from directly in front of the signal receptor)
Dimensions	Width	47.5 mm [1 7/8 in]
	Height	181.5 mm [7 5/32 in]
	Depth	27.5 mm [1 3/32 in]
Weight		Approx. 150 g (5.3 ozs) (including batteries)

Supplied accessories

Power cord¹² (TBD)
 Lens hole cover (x 1)
 Wireless/wired remote control unit (x 1)
 Batteries for remote control (AA/R6 type x 2)
 Lens fixing screw (x 1)
 SLOT Adapter (x 1)

Other Applications

Multi Monitoring & Control Software (for Windows)
 Visual Software Suite (for Windows)
 Smart Projector Control (for iOS/Android™)
 Projector Network Setup Software (for Windows)

Supported services of Control via LAN

Art-net
 PLink™ (class 2)
 Crestron Connected™ V2
 Crestron XiO Cloud™
 AMX® Device Discovery
 Extron® XTP

Optional accessories

Lens	Fixed-Focus Lens	ET-D3LEU101 (0.370:1)
		ET-D3LEW50 (0.694:1)
		ET-D75LE95 (0.364:1)
	Fisheye lens	ET-D3LEF70 (-)
	Zoom lens	ET-D3LEW201 (0.645-0.850:1)
		ET-D3LEW300 (0.770-0.933:1)
		ET-D3LEW600 (0.924-1.28:1)
		ET-D3LEW10 (1.26-1.72:1)
		ET-D3LES20 (1.67-2.41:1)
		ET-D3LES250 (1.67-2.41:1)
		ET-D3LET30 (2.40-4.66:1)
ET-D3LET40 (4.61-7.41:1)		
ET-D3LET80 (7.34-13.8:1)		
Lens mounting attachment		ET-PLF10/ET-PLF20
Ceiling Mount Bracket	for high ceilings	ET-PKD520H
	for low ceilings	ET-PKD520S
Attachment for Ceiling Mount Bracket		ET-PKD521B
Function Board *Compatible with Intel® SDM standard SLOT.	12G-SDI Terminal Board	TY-SB01QS
	12G-SDI Optical Function Board	TY-SB01FB
	DIGITAL LINK Terminal Board	TY-SB01DL
	Media Processor Board	ET-SBFMP10
Filter Kit ¹³		ET-EMF720DK
Filter Pack ¹⁴		ET-EMF720DP
Wireless module		AJ-WM50 Series Note: Product availability may vary by country or region. The suffix at the end of the model number is omitted. Operating Temperature: 0–40 °C (32–104 °F).
Media Processors	Box-type	ET-FMP50/ET-FMP20

Weights and dimensions shown are approximate. Specifications subject to change without notice.

1 Measurement, measuring conditions, and method of notation all comply with ISO/IEC 21118:2020 international standards.

2 When the ET-D3LES250 is attached and the power supply voltage is AC 200-240V.

3 Average light output value of all shipped products measured at center of screen in [NORMAL] Mode.

4 Around this time, light output will have decreased by approximately 50%. IEC62087: 2008 Broadcast contents, Dynamic Contrast [3], under conditions with 35°C (95°F), 700m (2297ft) above sea level, and 0.15mg/m³ of particulate matter. Estimated time until light output declines to 50% varies depending on environment.

5 Requires TY-SB01DL Interface Board for DIGITAL LINK.

6 Compatibility is maintained even when a 12G-SDI terminal board (model: TY-SB01QS) or a 12G-SDI optical function board (model: TY-SB01FB) is installed in the slot.

7 This is supported when the optional Function Board for 12G-SDI Optical Fiber (Model No.: TY-SB01FB) is installed in the slot.

8 4K/60p signals are converted to the projector's resolution upon projection.

9 Optional wireless module AJ-WM50 only supports IPv4.

10 Average value. May differ depending on the actual unit.

11 The operating environment temperature should be between 0°C (32°F) and 40°C (104°F) if the projector is used at an altitude between 1,400m (4,593ft) and 4,200m (13,780ft) above sea level. Note that altitude of 4,200m (13,780ft) above sea level is the maximum height that the performance of this projector is guaranteed. When using the projector at an altitude lower than 1,400m (4,593ft) above sea level, and the operating environment temperature becomes 35°C (95°F) or higher, the light output may be reduced to protect the projector.

When using the projector at an altitude between 1,400m (4,593ft) and 2,700m (8,858ft), and the operating environment temperature becomes 30°C (86°F) or higher, the light output may be reduced to protect the projector. When using the projector at an altitude between 2,700m (8,858ft) and 4,200m (13,780ft), and the operating environment temperature becomes 25°C (77°F) or higher, the light output may be reduced to protect the projector. Do not use the projector in a location where the ambient temperature exceeds 40 °C (104 °F) regardless of the altitude when the optional AJ-WM50 Series Wireless Module is attached to the projector.

12 The type and number of the supplied power cords vary depending on the country or region where you purchased the product.

13 The Filter kit (Model No.: ET-EMF720DK) should be used under the following conditions:

– Operating environment temperature: 0°C (32°F) to 35°C (95°F)

– Operating altitude: lower than 1,400m (4,593ft) above sea level

– Power supply: AC200V-AC240V

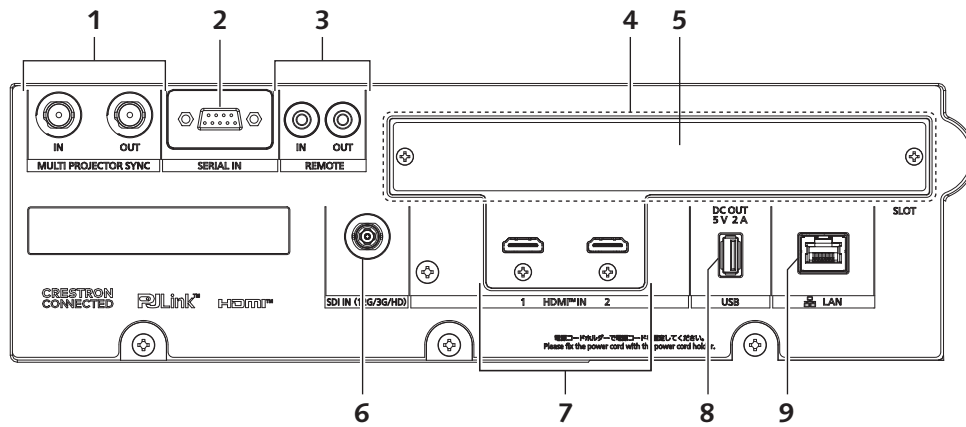
– Set the [FILTER MODE] to [ENABLE] in the [PROJECTOR SETUP] menu → [FILTER SETTING]

The availability of this product varies depending on the country. For details, contact your dealer.

14 Refer to the Operating Instructions of the Filter Kit for how to install the Filter kit (Model No.: ET-EMF720DK) and how to replace the filter.

The availability of this product varies depending on the country. For details, contact your dealer.

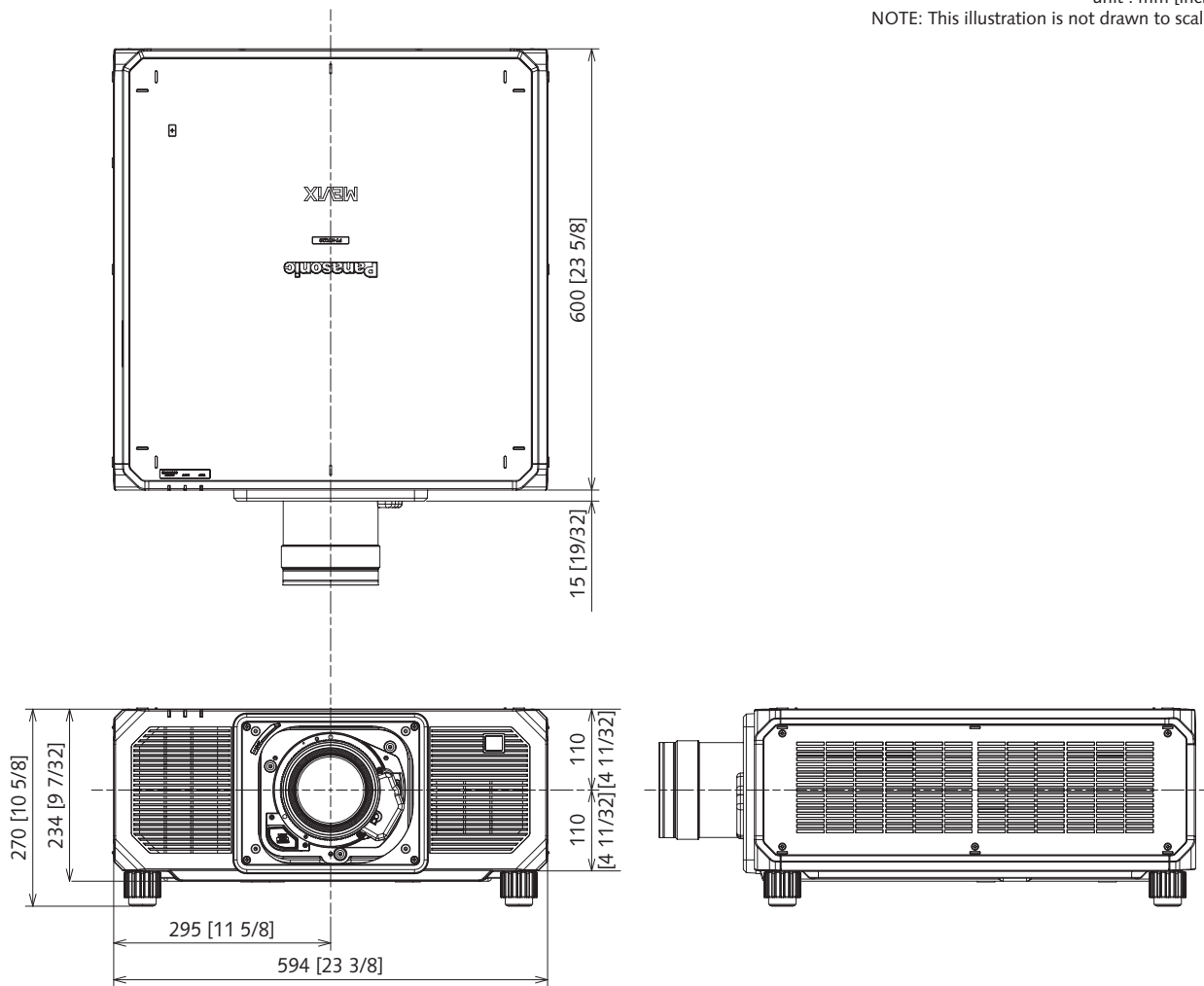
Terminals



1	MULTI PROJECTOR SYNC IN/MULTI PROJECTOR SYNC OUT
2	SERIAL IN
3	REMOTE IN/REMOTE OUT
4	Slot cover
5	Slot (<SLOT>)
6	SDI IN (12G/3G/HD)
7	HDMI™ 1 IN/HDMI™ 2 IN
8	USB (DC OUT)
9	LAN

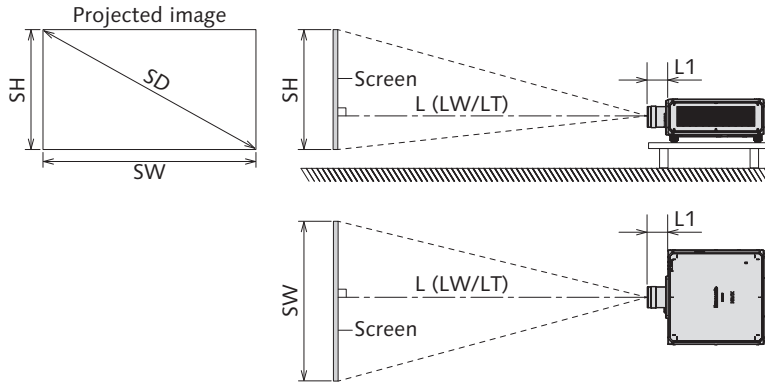
Dimensions

unit : mm [inch]
 NOTE: This illustration is not drawn to scale.



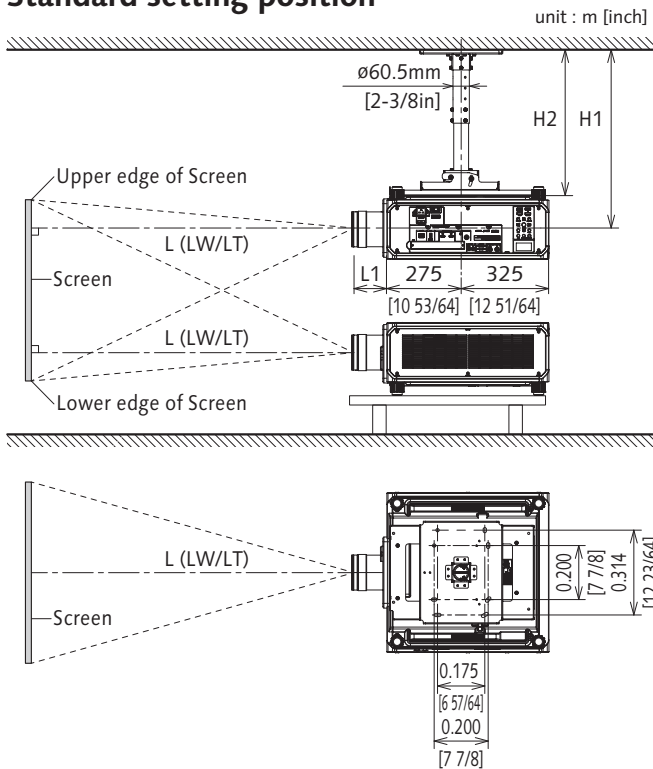
Projection relationship diagram

Install the projector referring to the projected image size, projection distance, etc. Image size and image position can be adjusted in accordance with the screen size and screen position. When the Zoom lens (Model No.: ET-D3LEW201) Fixed-focus Lens (Model No.: ET-D3LEU101, ET-D75LE95) or the Fisheye Lens (Model No.: ET-D3LEF70) is used, the projection relation between the screen and the projector differs from that of other lenses.



SH	Projected image height	
SW	Projected image width	
SD	Projected image size	
L	Projection distance	
	LW	Minimum projection distance when the Zoom Lens is used
	LT	Maximum projection distance when the Zoom Lens is used
L1	Distance from front of projector to edge of lens	

Standard setting position



unit : m		
H1	ET-PKD520H	0.420-0.540
	ET-PKD520S	0.107
H2	ET-PKD520H	0.545-0.665
	ET-PKD520S	0.231

Caution

- All construction work should be done by a qualified technician.
- When mounting to the ceiling, use the special mounting bracket. Furthermore, in order to prevent it from falling down from the ceiling, use the supplied wire on the mounting bracket.

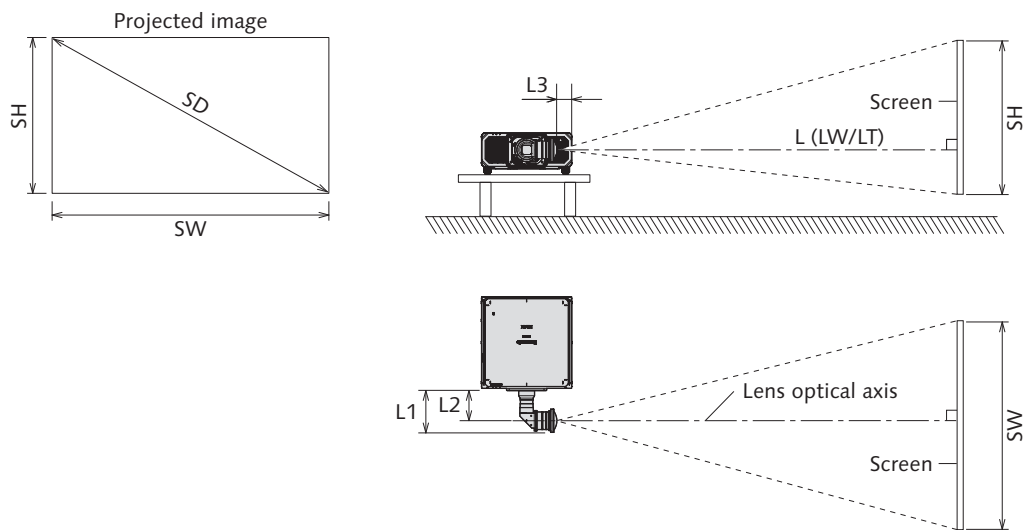
Note

- This illustration is prepared on the assumption that the projected image size and position have been aligned to fit full in the screen.
- This illustration is not drawn to scale.
- The values are approximate.

unit : m		
Projection lens Model No.	Lens protrusion dimensions (L1)	
ET-D3LEW300	0.270	
ET-D3LEW60	0.215	
ET-D3LEW600	0.235	
ET-D3LEW10	0.213	
ET-D3LES20	0.124	

unit : m		
Projection lens Model No.	Lens protrusion dimensions (L1)	
ET-D3LES250	0.129	
ET-D3LET30	0.181	
ET-D3LET40	0.138	
ET-D3LET80	0.265	
ET-D3LEW50	0.206	

Projection relationship diagram (ET-D3LEW201, ET-D3LEU101)



Note

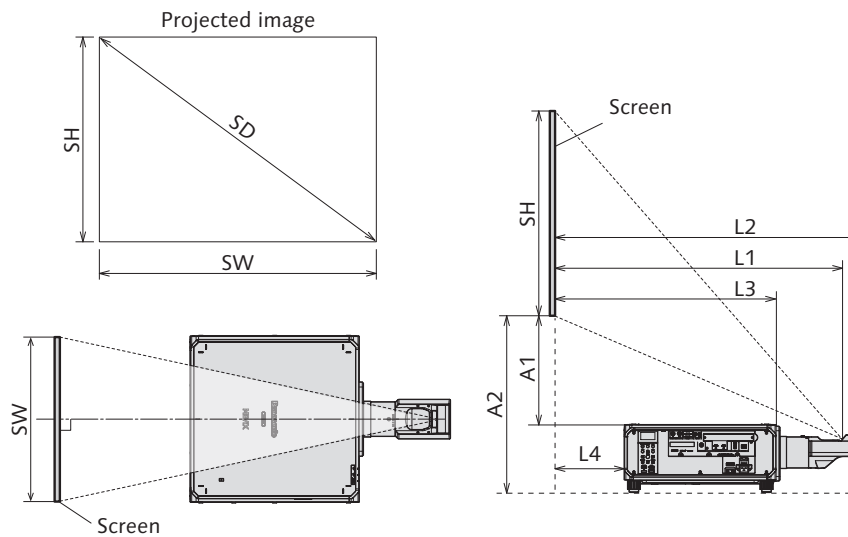
- This diagram assumes that the size and position of the projected image will be adjusted so that the image fits the entire screen.
- This illustration is not drawn to scale.
- The values are approximate.

SH	Projected image height	
SW	Projected image width	
SD	Projected image size	
L	Projection distance	
	LW	Minimum projection distance when the Zoom Lens is used
	LT	Maximum projection distance when the Zoom Lens is used
L1	Distance from front of projector to edge of lens	
L2	Distance from front of projector to center of lens	
L3	Distance from side of projector to center of lens	

unit : m

Projection lens Model No.	Lens protrusion dimension (L1)	Position of the lens optical axis (L2)	Position of the lens apex (L3)
ET-D3LEW201	0.354	0.258	0.122
ET-D3LEU101	0.288	0.212	0.097

Projection relationship diagram (ET-D75LE95)

**Note**

- This diagram assumes that the size and position of the projected image will be adjusted so that the image fits the entire screen.
- This illustration is not drawn to scale.

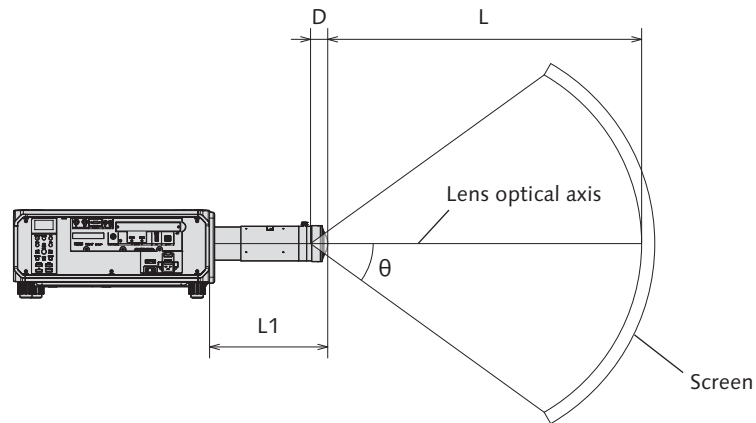
SH	Projected image height
SW	Projected image width
SD	Projected image size
L1	Projection distance (from the screen to the mirror reflection surface ¹)
L2	Distance between the projector and the screen (from the screen to the tip of the lens)
L3	Distance between the projector and the screen (from the screen to the front surface of the projector)
L4	Distance between the projector and the screen (from the screen to the rear surface of the projector)
A1	Distance between the projector and the screen (from the screen bottom edge to the projector top)
A2	Distance between the projector and the screen (from the screen bottom edge to the projector bottom)

¹ The mirror reflection surface cannot be seen from the outside, because it is located inside the Fixed-focus Lens.

unit : m

Distance from the projector to the screen	Formula
L2	= L1 + 0.029
L3	= L1 - 0.295
L4	= L1 - 0.895
A2	= A1 + 0.268

Projection relationship diagram (ET-D3LEF70)

**Note**

- This diagram assumes that the size and position of the projected image will be adjusted so that the image fits the entire screen.
- This illustration is not drawn to scale.
- The values are approximate.

L	Projection distance (From the front of the lens to the screen)
L1	Distance from front of projector to edge of lens
θ	Projected angle
D	Exit pupil position

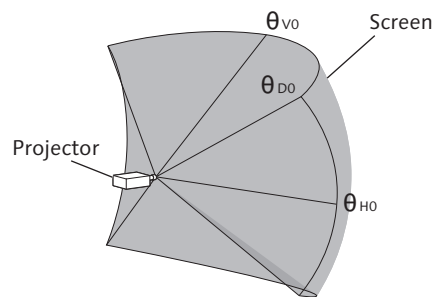
unit : m

Projection distance (L) range (m)	2 - ∞
L1 dimension	0.388
Exit pupil position (D) formula*	$= -10^{-9} \times \theta^3 - 3 \times 10^{-7} \times \theta^2 - 1.73 \times 10^{-5} \times \theta + 0.02342$

Projected angle (θ) (degrees)	Exit pupil position (D) (m)*
10	0.0232
20	0.0229
30	0.0224
40	0.0216
50	0.0206
60	0.0191
70	0.0173
80	0.0150
91.6 (Max)	0.0116

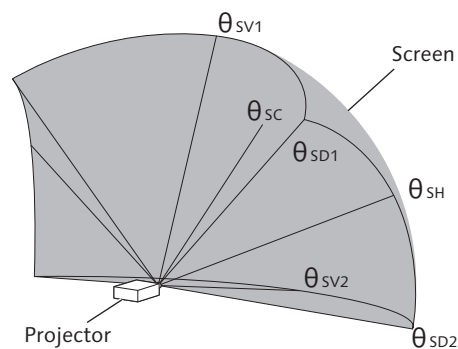
* There may be slight discrepancies in the exit pupil positions.

■ Maximum projection angle of view for optical lens center position



Unit: °		
θ_{H0}	Maximum projection angle of view for projected image horizontal axis	65.7
θ_{v0}	Maximum projection angle of view for projected image vertical axis	41.1
θ_{D0}	Maximum projection angle of view for projected image diagonal axis	77.5

■ Maximum projection angle of view for when vertical lens shift is set to maximum



Unit: °		
θ_{sc}	Projection angle of view for projected image center	22.3
θ_{sv1}	Maximum projection angle of view for projected image vertical axis (top side)	63.2
θ_{sv2}	Maximum projection angle of view for projected image vertical axis (bottom side)	19.0
θ_{sh}	Maximum projection angle of view for projected image horizontal axis	69.3
θ_{sd1}	Maximum projection angle of view for projected image diagonal line (top side)	91.4
θ_{sd2}	Maximum projection angle of view for projected image diagonal line (bottom side)	68.4

Note

- The value for each projection angle of view shown in the table is the angle between the lens optical axis and the line indicating each projection angle of view.

Projection distance

The value for L (distance to screen) varies slightly within $\pm 5\%$ depending on the zoom lens characteristics.
When [GEOMETRY] is used, the image is corrected in the direction that reduces its projected size.

Screen aspect ratio 16:10

Unit: meters

Lens type				Zoom lens															
Projection lens Model No.				ET-D3LEW201 ²		ET-D3LEW300		ET-D3LEW60		ET-D3LEW600		ET-D3LEW10		ET-D3LES20		ET-D3LES250			
Throw ratio ¹				0.645-0.850:1		0.770-0.933:1		0.924-1.10:1		0.924-1.28:1		1.26-1.72:1		1.67-2.41:1		1.67-2.41:1			
Projection screen size				Projection distance (L)															
Diagonal (SD)		Height (SH)	Width (SW)	min. (LW)		max. (LT)		min. (LW)		max. (LT)		min. (LW)		max. (LT)		min. (LW)		max. (LT)	
m	inches			min. (LW)	max. (LT)	min. (LW)	max. (LT)	min. (LW)	max. (LT)	min. (LW)	max. (LT)	min. (LW)	max. (LT)	min. (LW)	max. (LT)	min. (LW)	max. (LT)	min. (LW)	max. (LT)
1.778	70	0.942	1.508	-	-	1.15	1.40	1.36	1.63	1.35	1.87	1.85	2.54	2.46	3.58	2.46	3.58		
2.032	80	1.077	1.723	-	-	1.31	1.60	1.56	1.87	1.55	2.16	2.13	2.92	2.82	4.11	2.83	4.11		
2.286	90	1.212	1.939	-	-	1.48	1.80	1.77	2.11	1.76	2.44	2.40	3.30	3.19	4.64	3.20	4.63		
2.540	100	1.346	2.154	-	-	1.65	2.00	1.97	2.35	1.96	2.73	2.68	3.68	3.55	5.17	3.56	5.16		
3.048	120	1.615	2.585	-	-	1.98	2.41	2.38	2.84	2.37	3.30	3.23	4.43	4.28	6.22	4.29	6.22		
3.810	150	2.019	3.231	-	-	2.49	3.02	2.98	3.57	2.99	4.15	4.06	5.57	5.37	7.81	5.39	7.80		
5.080	200	2.692	4.308	2.78	3.66	3.32	4.03	4.00	4.78	4.01	5.58	5.44	7.45	7.19	10.45	7.22	10.44		
6.350	250	3.365	5.385	3.50	4.61	4.16	5.04	5.01	6.00	5.03	7.00	6.83	9.34	9.00	13.09	9.04	13.08		
7.620	300	4.039	6.462	4.22	5.55	5.00	6.05	6.02	7.21	6.05	8.42	8.21	11.23	10.82	15.73	10.87	15.72		
8.890	350	4.712	7.539	4.94	6.49	5.83	7.07	7.04	8.42	7.08	9.85	9.59	13.12	12.64	18.37	12.70	18.36		
10.160	400	5.385	8.616	5.66	7.44	6.67	8.08	8.05	9.64	8.10	11.27	10.97	15.01	14.46	21.01	14.53	21.00		
12.700	500	6.731	10.770	7.09	9.32	8.35	10.11	10.08	12.07	10.15	14.12	13.74	18.79	18.09	26.29	18.18	26.28		
15.240	600	8.077	12.923	8.53	11.21	10.02	12.13	12.10	14.49	12.19	16.96	16.50	22.57	21.73	31.58	21.84	31.56		
17.780	700	9.423	15.077	-	-	11.70	14.16	14.13	16.92	14.24	19.81	19.27	26.35	25.36	36.86	25.49	36.84		
20.320	800	10.770	17.231	-	-	13.37	16.18	16.16	19.35	16.28	22.66	22.03	30.13	29.00	42.14	29.15	42.12		
22.860	900	12.116	19.385	-	-	15.05	18.21	18.18	21.78	18.33	25.51	24.80	33.90	32.63	47.42	32.80	47.40		
25.400	1000	13.462	21.539	-	-	16.72	20.24	20.21	24.21	20.37	28.35	27.56	37.68	36.27	52.70	36.46	52.69		

Unit: meters

Lens type				Zoom lens							
Projection lens Model No.				ET-D3LET30		ET-D3LET40		ET-D3LET80			
Throw ratio ¹				2.40-4.66:1		4.61-7.41:1		7.34-13.8:1			
Projection screen size				Projection distance (L)							
Diagonal (SD)		Height (SH)	Width (SW)	min. (LW)		max. (LT)		min. (LW)		max. (LT)	
m	inches			min. (LW)	max. (LT)	min. (LW)	max. (LT)	min. (LW)	max. (LT)		
1.778	70	0.942	1.508	3.54	6.94	6.86	11.08	10.85	20.69		
2.032	80	1.077	1.723	4.06	7.96	7.86	12.68	12.45	23.70		
2.286	90	1.212	1.939	4.59	8.97	8.86	14.29	14.06	26.71		
2.540	100	1.346	2.154	5.11	9.99	9.87	15.90	15.66	29.71		
3.048	120	1.615	2.585	6.16	12.03	11.87	19.12	18.88	35.73		
3.810	150	2.019	3.231	7.73	15.08	14.88	23.94	23.69	44.75		
5.080	200	2.692	4.308	10.34	20.17	19.90	31.99	31.72	59.79		
6.350	250	3.365	5.385	12.96	25.26	24.92	40.03	39.74	74.82		
7.620	300	4.039	6.462	15.58	30.35	29.93	48.07	47.77	89.86		
8.890	350	4.712	7.539	18.20	35.45	34.95	56.12	55.79	104.90		
10.160	400	5.385	8.616	20.81	40.54	39.97	64.16	63.82	119.94		
12.700	500	6.731	10.770	26.05	50.72	50.00	80.24	79.87	150.01		
15.240	600	8.077	12.923	31.28	60.90	60.03	96.33	95.92	180.08		
17.780	700	9.423	15.077	36.52	71.08	70.07	112.42	111.97	-		
20.320	800	10.770	17.231	41.75	81.26	80.10	128.50	128.02	-		
22.860	900	12.116	19.385	46.99	91.44	90.14	144.59	144.07	-		
25.400	1000	13.462	21.539	52.22	101.62	100.17	160.67	160.13	-		

¹ The throw ratio is based on the value during projection with the projected image size of 150 in.

² When the Zoom Lens (Model No.: ET-D3LEW201), the Fixed-focus Lens (Model No.: ET-D3LEU101, ET-D75LE95), or the Fisheye Lens (Model No.: ET-D3LEF70) is used, the projection relation between the screen and the projector differs from that of other lenses. For details, refer to "ET-D3LEW201, ET-D3LEU101" (page 7), "ET-D75LE95" (page 8), or "ET-D3LEF70" (page 9-10).

Screen aspect ratio 16:10

Unit: meters

Lens type				Fixed-Focus Lens				
Projection lens Model No.				ET-D3LEU101 ²	ET-D3LEW50	ET-D75LE95 ²		
Throw ratio ¹				0.370:1	0.694:1	0.364:1		
Projection screen size				Projection distance (L)		Projection distance (L1)	Distance between the projector and the screen	
Diagonal (SD)		Height (SH)	Width (SW)	Fixed	Fixed		(L4)	(A1)
m	inches							
1.778	70	0.942	1.508	-	1.01	-	-	-
2.032	80	1.077	1.723	-	1.16	-	-	-
2.286	90	1.212	1.939	-	1.32	-	-	-
2.540	100	1.346	2.154	-	1.47	-	-	-
3.048	120	1.615	2.585	-	1.78	0.94	0.05	0.18-0.34
3.810	150	2.019	3.231	-	2.24	1.18	0.28	0.25-0.46
5.080	200	2.692	4.308	1.59	3.01	1.56	0.66	0.37-0.64
6.350	250	3.365	5.385	2.01	3.78	1.95	1.05	0.50-0.83
7.620	300	4.039	6.462	2.42	4.56	2.33	1.43	0.62-1.02
8.890	350	4.712	7.539	2.84	5.33	2.72	1.82	0.74-1.21
10.160	400	5.385	8.616	3.25	6.10	3.10	2.20	0.86-1.40
12.700	500	6.731	10.770	4.08	7.64	3.87	2.97	1.10-1.77
15.240	600	8.077	12.923	4.91	9.18	4.64	3.74	1.34-2.15
17.780	700	9.423	15.077	-	10.72	-	-	-
20.320	800	10.770	17.231	-	12.27	-	-	-
22.860	900	12.116	19.385	-	13.81	-	-	-
25.400	1000	13.462	21.539	-	15.35	-	-	-

1 The throw ratio is based on the value during projection with the projected image size of 150 in.

2 When the Zoom Lens (Model No.: ET-D3LEW201), the Fixed-focus Lens (Model No.: ET-D3LEU101, ET-D75LE95), or the Fisheye Lens (Model No.: ET-D3LEF70) is used, the projection relation between the screen and the projector differs from that of other lenses. For details, refer to "ET-D3LEW201, ET-D3LEU101" (page 7), "ET-D75LE95" (page 8), or "ET-D3LEF70" (page 9-10).

Screen aspect ratio 16:10

Unit: feet

Lens type				Zoom lens													
Projection lens Model No.				ET-D3LEW201 ²		ET-D3LEW300		ET-D3LEW60		ET-D3LEW600		ET-D3LEW10		ET-D3LES20		ET-D3LES250	
Throw ratio ¹				0.645-0.850:1		0.770-0.933:1		0.924-1.10:1		0.924-1.28:1		1.26-1.72:1		1.67-2.41:1		1.67-2.41:1	
Projection screen size				Projection distance (L)													
Diagonal (SD)		Height (SH)	Width (SW)	min. (LW)	max. (LT)	min. (LW)	max. (LT)	min. (LW)	max. (LT)	min. (LW)	max. (LT)	min. (LW)	max. (LT)	min. (LW)	max. (LT)	min. (LW)	max. (LT)
m	inches																
1.778	70	0.942	1.508	-	-	3.77	4.59	4.46	5.35	4.42	6.15	6.07	8.33	8.07	11.75	8.09	11.74
2.032	80	1.077	1.723	-	-	4.30	5.25	5.12	6.14	5.10	7.08	6.99	9.58	9.25	13.48	9.28	13.47
2.286	90	1.212	1.939	-	-	4.86	5.91	5.81	6.92	5.77	8.02	7.87	10.83	10.47	15.22	10.48	15.20
2.540	100	1.346	2.154	-	-	5.41	6.56	6.46	7.71	6.44	8.95	8.79	12.07	11.65	16.96	11.68	16.93
3.048	120	1.615	2.585	-	-	6.50	7.91	7.81	9.32	7.78	10.82	10.60	14.53	14.04	20.41	14.08	20.40
3.810	150	2.019	3.231	-	-	8.17	9.91	9.78	11.71	9.79	13.62	13.32	18.27	17.62	25.62	17.68	25.60
5.080	200	2.692	4.308	9.12	12.01	10.89	13.22	13.12	15.68	13.15	18.29	17.85	24.44	23.59	34.28	23.67	34.26
6.350	250	3.365	5.385	11.48	15.12	13.65	16.54	16.44	19.68	16.51	22.96	22.41	30.64	29.53	42.95	29.67	42.92
7.620	300	4.039	6.462	13.84	18.21	16.40	19.85	19.75	23.65	19.86	27.63	26.94	36.84	35.50	51.61	35.67	51.58
8.890	350	4.712	7.539	16.21	21.29	19.13	23.20	23.10	27.62	23.22	32.30	31.46	43.04	41.47	60.27	41.66	60.25
10.160	400	5.385	8.616	18.57	24.41	21.88	26.51	26.41	31.63	26.57	36.97	35.99	49.24	47.44	68.93	47.66	68.91
12.700	500	6.731	10.770	23.26	30.58	27.39	33.17	33.07	39.60	33.28	46.32	45.08	61.65	59.35	86.25	59.65	86.23
15.240	600	8.077	12.923	27.99	36.78	32.87	39.80	39.70	47.54	40.00	55.66	54.13	74.05	71.29	103.61	71.64	103.56
17.780	700	9.423	15.077	-	-	38.39	46.46	46.36	55.51	46.71	65.00	63.22	86.45	83.20	120.93	83.63	120.88
20.320	800	10.770	17.231	-	-	43.86	53.08	53.02	63.48	53.42	74.34	72.28	98.85	95.14	138.25	95.62	138.20
22.860	900	12.116	19.385	-	-	49.38	59.74	59.64	71.46	60.13	83.68	81.36	111.22	107.05	155.58	107.62	155.53
25.400	1000	13.462	21.539	-	-	54.85	66.40	66.30	79.43	66.84	93.02	90.42	123.62	118.99	172.90	119.61	172.85

Unit: feet

Lens type				Zoom lens					
Projection lens Model No.				ET-D3LET30		ET-D3LET40		ET-D3LET80	
Throw ratio ¹				2.40-4.66:1		4.61-7.41:1		7.34-13.8:1	
Projection screen size				Projection distance (L)					
Diagonal (SD)		Height (SH)	Width (SW)	min. (LW)	max. (LT)	min. (LW)	max. (LT)	min. (LW)	max. (LT)
m	inches								
1.778	70	0.942	1.508	11.61	22.77	22.51	36.35	35.60	67.88
2.032	80	1.077	1.723	13.32	26.12	25.79	41.60	40.85	77.75
2.286	90	1.212	1.939	15.06	29.43	29.07	46.88	46.13	87.63
2.540	100	1.346	2.154	16.76	32.78	32.38	52.16	51.38	97.47
3.048	120	1.615	2.585	20.21	39.47	38.94	62.73	61.94	117.22
3.810	150	2.019	3.231	25.36	49.47	48.82	78.54	77.72	146.82
5.080	200	2.692	4.308	33.92	66.17	65.29	104.95	104.07	196.16
6.350	250	3.365	5.385	42.52	82.87	81.76	131.33	130.38	245.47
7.620	300	4.039	6.462	51.11	99.57	98.19	157.71	156.72	294.81
8.890	350	4.712	7.539	59.71	116.30	114.66	184.12	183.04	344.16
10.160	400	5.385	8.616	68.27	133.00	131.13	210.50	209.38	393.50
12.700	500	6.731	10.770	85.46	166.40	164.04	263.25	262.04	492.15
15.240	600	8.077	12.923	102.62	199.80	196.95	316.04	314.69	590.81
17.780	700	9.423	15.077	119.81	233.20	229.89	368.83	367.35	-
20.320	800	10.770	17.231	136.97	266.60	262.79	421.58	420.01	-
22.860	900	12.116	19.385	154.16	300.00	295.73	474.37	472.66	-
25.400	1000	13.462	21.539	171.32	333.39	328.64	527.13	525.35	-

¹ The throw ratio is based on the value during projection with the projected image size of 150 in.

² When the Zoom Lens (Model No.: ET-D3LEW201), the Fixed-focus Lens (Model No.: ET-D3LEU101, ET-D75LE95), or the Fisheye Lens (Model No.: ET-D3LEF70) is used, the projection relation between the screen and the projector differs from that of other lenses. For details, refer to "ET-D3LEW201, ET-D3LEU101" (page 7), "ET-D75LE95" (page 8), or "ET-D3LEF70" (page 9-10).

Screen aspect ratio 16:10

Unit: feet

Lens type				Fixed-Focus Lens				
Projection lens Model No.				ET-D3LEU101 ²	ET-D3LEW50	ET-D75LE95 ²		
Throw ratio ¹				0.370:1	0.694:1	0.364:1		
Projection screen size				Projection distance (L)		Projection distance (L1)	Distance between the projector and the screen	
Diagonal (SD)		Height (SH)	Width (SW)	Fixed	Fixed		(L4)	(A1)
m	inches							
1.778	70	0.942	1.508	-	3.31	-	-	-
2.032	80	1.077	1.723	-	3.81	-	-	-
2.286	90	1.212	1.939	-	4.33	-	-	-
2.540	100	1.346	2.154	-	4.82	-	-	-
3.048	120	1.615	2.585	-	5.84	3.10	0.16	0.59-1.12
3.810	150	2.019	3.231	-	7.35	3.85	0.92	0.83-1.49
5.080	200	2.692	4.308	5.22	9.88	5.12	2.18	1.23-2.11
6.350	250	3.365	5.385	6.59	12.40	6.38	3.44	1.63-2.73
7.620	300	4.039	6.462	7.94	14.96	7.64	4.71	2.02-3.35
8.890	350	4.712	7.539	9.32	17.49	8.91	5.97	2.42-3.97
10.160	400	5.385	8.616	10.66	20.01	10.17	7.23	2.82-4.59
12.700	500	6.731	10.770	13.39	25.07	12.70	9.76	3.61-5.82
15.240	600	8.077	12.923	16.11	30.12	15.22	12.29	4.41-7.06
17.780	700	9.423	15.077	-	35.17	-	-	-
20.320	800	10.770	17.231	-	40.26	-	-	-
22.860	900	12.116	19.385	-	45.31	-	-	-
25.400	1000	13.462	21.539	-	50.36	-	-	-

1 The throw ratio is based on the value during projection with the projected image size of 150 in.

2 When the Zoom Lens (Model No.: ET-D3LEW201), the Fixed-focus Lens (Model No.: ET-D3LEU101, ET-D75LE95), or the Fisheye Lens (Model No.: ET-D3LEF70) is used, the projection relation between the screen and the projector differs from that of other lenses. For details, refer to "ET-D3LEW201, ET-D3LEU101" (page 7), "ET-D75LE95" (page 8), or "ET-D3LEF70" (page 9-10).

Screen aspect ratio 16:9

Unit: meters

Lens type				Zoom lens														
Projection lens Model No.				ET-D3LEW201 ²	ET-D3LEW300	ET-D3LEW60	ET-D3LEW600	ET-D3LEW10	ET-D3LES20	ET-D3LES250								
Throw ratio ¹				0.646-0.851:1	0.770-0.933:1	0.924-1.10:1	0.925-1.28:1	1.26-1.72:1	1.67-2.41:1	1.67-2.41:1								
Projection screen size				Projection distance (L)														
Diagonal (SD)		Height (SH)	Width (SW)	min. (LW)	max. (LT)	min. (LW)	max. (LT)	min. (LW)	max. (LT)	min. (LW)	max. (LT)	min. (LW)	max. (LT)	min. (LW)	max. (LT)	min. (LW)	max. (LT)	
m	inches																	
1.778	70	0.872	1.550	-	-	1.18	1.44	1.40	1.67	1.39	1.93	1.90	2.62	2.53	3.68	2.54	3.68	
2.032	80	0.996	1.771	-	-	1.35	1.64	1.61	1.92	1.60	2.22	2.19	3.00	2.91	4.23	2.91	4.22	
2.286	90	1.121	1.992	-	-	1.52	1.85	1.82	2.17	1.81	2.52	2.47	3.39	3.28	4.77	3.29	4.77	
2.540	100	1.245	2.214	-	-	1.69	2.06	2.03	2.42	2.02	2.81	2.76	3.78	3.65	5.31	3.66	5.31	
3.048	120	1.494	2.657	-	-	2.04	2.48	2.44	2.92	2.44	3.39	3.32	4.56	4.40	6.40	4.41	6.39	
3.810	150	1.868	3.321	-	-	2.55	3.10	3.07	3.67	3.07	4.27	4.18	5.72	5.52	8.03	5.54	8.02	
5.080	200	2.491	4.428	2.86	3.77	3.42	4.14	4.11	4.92	4.12	5.73	5.60	7.66	7.39	10.74	7.42	10.74	
6.350	250	3.113	5.535	3.60	4.74	4.28	5.18	5.15	6.17	5.17	7.20	7.02	9.61	9.26	13.46	9.30	13.45	
7.620	300	3.736	6.641	4.34	5.71	5.14	6.22	6.19	7.41	6.22	8.66	8.44	11.55	11.13	16.17	11.18	16.16	
8.890	350	4.358	7.748	5.08	6.68	6.00	7.26	7.23	8.66	7.28	10.12	9.86	13.49	12.99	18.88	13.05	18.88	
10.160	400	4.981	8.855	5.82	7.65	6.86	8.31	8.28	9.91	8.33	11.59	11.28	15.43	14.86	21.60	14.93	21.59	
12.700	500	6.226	11.069	7.29	9.58	8.58	10.39	10.36	12.40	10.43	14.51	14.12	19.32	18.60	27.03	18.69	27.02	
15.240	600	7.472	13.283	8.77	11.52	10.30	12.47	12.44	14.90	12.53	17.44	16.96	23.20	22.33	32.46	22.45	32.44	
17.780	700	8.717	15.497	-	-	12.02	14.55	14.52	17.39	14.63	20.37	19.81	27.08	26.07	37.89	26.20	37.87	
20.320	800	9.962	17.710	-	-	13.74	16.63	16.61	19.89	16.74	23.29	22.65	30.97	29.81	43.31	29.96	43.30	
22.860	900	11.207	19.924	-	-	15.47	18.72	18.69	22.39	18.84	26.22	25.49	34.85	33.54	48.74	33.72	48.73	
25.400	1000	12.453	22.138	-	-	17.19	20.80	20.77	24.88	20.94	29.14	28.33	38.73	37.28	54.17	37.47	54.15	

Unit: meters

Lens type				Zoom lens					
Projection lens Model No.				ET-D3LET30	ET-D3LET40	ET-D3LET80			
Throw ratio ¹				2.40-4.66:1	4.61-7.41:1	7.34-13.8:1			
Projection screen size				Projection distance (L)					
Diagonal (SD)		Height (SH)	Width (SW)	min. (LW)	max. (LT)	min. (LW)	max. (LT)	min. (LW)	max. (LT)
m	inches								
1.778	70	0.872	1.550	3.64	7.14	7.05	11.39	11.16	21.28
2.032	80	0.996	1.771	4.18	8.18	8.08	13.04	12.81	24.37
2.286	90	1.121	1.992	4.72	9.23	9.11	14.70	14.46	27.46
2.540	100	1.245	2.214	5.25	10.28	10.15	16.35	16.11	30.55
3.048	120	1.494	2.657	6.33	12.37	12.21	19.66	19.41	36.73
3.810	150	1.868	3.321	7.94	15.51	15.30	24.61	24.36	46.00
5.080	200	2.491	4.428	10.63	20.74	20.46	32.88	32.61	61.46
6.350	250	3.113	5.535	13.32	25.97	25.61	41.15	40.86	76.91
7.620	300	3.736	6.641	16.01	31.20	30.77	49.41	49.11	92.37
8.890	350	4.358	7.748	18.70	36.44	35.93	57.68	57.35	107.82
10.160	400	4.981	8.855	21.39	41.67	41.08	65.95	65.60	123.28
12.700	500	6.226	11.069	26.77	52.13	51.40	82.48	82.10	154.19
15.240	600	7.472	13.283	32.15	62.60	61.71	99.01	98.60	185.10
17.780	700	8.717	15.497	37.53	73.06	72.02	115.55	115.10	-
20.320	800	9.962	17.710	42.92	83.53	82.33	132.08	131.59	-
22.860	900	11.207	19.924	48.30	93.99	92.65	148.61	148.09	-
25.400	1000	12.453	22.138	53.68	104.45	102.96	165.15	164.59	-

¹ The throw ratio is based on the value during projection with the projected image size of 150 in.

² When the Zoom Lens (Model No.: ET-D3LEW201), the Fixed-focus Lens (Model No.: ET-D3LEU101, ET-D75LE95), or the Fisheye Lens (Model No.: ET-D3LEF70) is used, the projection relation between the screen and the projector differs from that of other lenses. For details, refer to "ET-D3LEW201, ET-D3LEU101" (page 7), "ET-D75LE95" (page 8), or "ET-D3LEF70" (page 9-10).

Screen aspect ratio 16:9

Unit: meters

Lens type				Fixed-Focus Lens				
Projection lens Model No.				ET-D3LEU101 ²	ET-D3LEW50	ET-D75LE95 ²		
Throw ratio ¹				0.370:1	0.695:1	0.364:1		
Projection screen size				Projection distance (L)		Projection distance (L1)	Distance between the projector and the screen	
Diagonal (SD)		Height (SH)	Width (SW)	Fixed	Fixed		(L4)	(A1)
m	inches							
1.778	70	0.872	1.550	-	1.04	-	-	-
2.032	80	0.996	1.771	-	1.20	-	-	-
2.286	90	1.121	1.992	-	1.36	-	-	-
2.540	100	1.245	2.214	-	1.51	-	-	-
3.048	120	1.494	2.657	-	1.83	0.97	0.07	0.27-0.44
3.810	150	1.868	3.321	-	2.31	1.21	0.31	0.37-0.57
5.080	200	2.491	4.428	1.64	3.10	1.60	0.71	0.53-0.80
6.350	250	3.113	5.535	2.06	3.89	2.00	1.10	0.69-1.03
7.620	300	3.736	6.641	2.49	4.68	2.39	1.50	0.84-1.26
8.890	350	4.358	7.748	2.92	5.48	2.79	1.89	1.00-1.49
10.160	400	4.981	8.855	3.34	6.27	3.19	2.29	1.16-1.72
12.700	500	6.226	11.069	4.19	7.85	3.98	3.08	1.48-2.17
15.240	600	7.472	13.283	5.05	9.44	4.77	3.87	1.80-2.63
17.780	700	8.717	15.497	-	11.02	-	-	-
20.320	800	9.962	17.710	-	12.61	-	-	-
22.860	900	11.207	19.924	-	14.19	-	-	-
25.400	1000	12.453	22.138	-	15.78	-	-	-

1 The throw ratio is based on the value during projection with the projected image size of 150 in.

2 When the Zoom Lens (Model No.: ET-D3LEW201), the Fixed-focus Lens (Model No.: ET-D3LEU101, ET-D75LE95), or the Fisheye Lens (Model No.: ET-D3LEF70) is used, the projection relation between the screen and the projector differs from that of other lenses. For details, refer to "ET-D3LEW201, ET-D3LEU101" (page 7), "ET-D75LE95" (page 8), or "ET-D3LEF70" (page 9-10).

Screen aspect ratio 16:9

Unit: feet

Lens type				Zoom lens													
Projection lens Model No.				ET-D3LEW201 ²		ET-D3LEW300		ET-D3LEW60		ET-D3LEW600		ET-D3LEW10		ET-D3LES20		ET-D3LES250	
Throw ratio ¹				0.646-0.851:1		0.770-0.933:1		0.924-1.10:1		0.925-1.28:1		1.26-1.72:1		1.67-2.41:1		1.67-2.41:1	
Projection screen size				Projection distance (L)													
Diagonal (SD)		Height (SH)	Width (SW)	min. (LW)	max. (LT)	min. (LW)	max. (LT)	min. (LW)	max. (LT)	min. (LW)	max. (LT)	min. (LW)	max. (LT)	min. (LW)	max. (LT)	min. (LW)	max. (LT)
m	inches																
1.778	70	0.872	1.550	-	-	3.87	4.72	4.59	5.48	4.55	6.33	6.23	8.60	8.30	12.07	8.32	12.07
2.032	80	0.996	1.771	-	-	4.43	5.38	5.28	6.30	5.24	7.29	7.18	9.84	9.55	13.88	9.55	13.86
2.286	90	1.121	1.992	-	-	4.99	6.07	5.97	7.12	5.93	8.25	8.10	11.12	10.76	15.65	10.78	15.64
2.540	100	1.245	2.214	-	-	5.54	6.76	6.66	7.94	6.62	9.21	9.06	12.40	11.97	17.42	12.02	17.42
3.048	120	1.494	2.657	-	-	6.69	8.14	8.01	9.58	8.00	11.13	10.89	14.96	14.44	21.00	14.48	20.98
3.810	150	1.868	3.321	-	-	8.37	10.17	10.07	12.04	10.07	14.01	13.71	18.77	18.11	26.34	18.18	26.32
5.080	200	2.491	4.428	9.38	12.37	11.22	13.58	13.48	16.14	13.52	18.81	18.37	25.13	24.25	35.24	24.34	35.22
6.350	250	3.113	5.535	11.81	15.55	14.04	16.99	16.90	20.24	16.97	23.61	23.03	31.53	30.38	44.16	30.50	44.13
7.620	300	3.736	6.641	14.24	18.73	16.86	20.41	20.31	24.31	20.42	28.41	27.69	37.89	36.52	53.05	36.67	53.03
8.890	350	4.358	7.748	16.67	21.92	19.68	23.82	23.72	28.41	23.87	33.21	32.35	44.26	42.62	61.94	42.83	61.93
10.160	400	4.981	8.855	19.09	25.10	22.51	27.26	27.17	32.51	27.32	38.01	37.01	50.62	48.75	70.87	48.99	70.83
12.700	500	6.226	11.069	23.92	31.43	28.15	34.09	33.99	40.68	34.22	47.62	46.32	63.39	61.02	88.68	61.32	88.64
15.240	600	7.472	13.283	28.77	37.79	33.79	40.91	40.81	48.88	41.12	57.22	55.64	76.11	73.26	106.49	73.64	106.45
17.780	700	8.717	15.497	-	-	39.44	47.74	47.64	57.05	48.01	66.82	64.99	88.84	85.53	124.31	85.97	124.25
20.320	800	9.962	17.710	-	-	45.08	54.56	54.49	65.26	54.91	76.42	74.31	101.61	97.80	142.09	98.29	142.06
22.860	900	11.207	19.924	-	-	50.75	61.42	61.32	73.46	61.81	86.02	83.63	114.34	110.04	159.91	110.62	159.86
25.400	1000	12.453	22.138	-	-	56.40	68.24	68.14	81.63	68.71	95.62	92.95	127.07	122.31	177.72	122.94	177.67

Unit: feet

Lens type				Zoom lens					
Projection lens Model No.				ET-D3LET30		ET-D3LET40		ET-D3LET80	
Throw ratio ¹				2.40-4.66:1		4.61-7.41:1		7.34-13.8:1	
Projection screen size				Projection distance (L)					
Diagonal (SD)		Height (SH)	Width (SW)	min. (LW)	max. (LT)	min. (LW)	max. (LT)	min. (LW)	max. (LT)
m	inches								
1.778	70	0.872	1.550	11.94	23.42	23.13	37.37	36.61	69.82
2.032	80	0.996	1.771	13.71	26.84	26.51	42.78	42.03	79.95
2.286	90	1.121	1.992	15.49	30.28	29.89	48.23	47.44	90.09
2.540	100	1.245	2.214	17.22	33.73	33.30	53.64	52.85	100.23
3.048	120	1.494	2.657	20.77	40.58	40.06	64.50	63.68	120.50
3.810	150	1.868	3.321	26.05	50.89	50.20	80.74	79.92	150.92
5.080	200	2.491	4.428	34.87	68.04	67.13	107.87	106.99	201.64
6.350	250	3.113	5.535	43.70	85.20	84.02	135.00	134.05	252.33
7.620	300	3.736	6.641	52.53	102.36	100.95	162.10	161.12	303.05
8.890	350	4.358	7.748	61.35	119.55	117.88	189.24	188.15	353.74
10.160	400	4.981	8.855	70.18	136.71	134.78	216.37	215.22	404.46
12.700	500	6.226	11.069	87.83	171.03	168.63	270.60	269.35	505.87
15.240	600	7.472	13.283	105.48	205.38	202.46	324.83	323.49	607.28
17.780	700	8.717	15.497	123.13	239.70	236.28	379.10	377.62	-
20.320	800	9.962	17.710	140.81	274.05	270.11	433.33	431.72	-
22.860	900	11.207	19.924	158.46	308.36	303.97	487.56	485.85	-
25.400	1000	12.453	22.138	176.11	342.68	337.79	541.82	539.99	-

¹ The throw ratio is based on the value during projection with the projected image size of 150 in.

² When the Zoom Lens (Model No.: ET-D3LEW201), the Fixed-focus Lens (Model No.: ET-D3LEU101, ET-D75LE95), or the Fisheye Lens (Model No.: ET-D3LEF70) is used, the projection relation between the screen and the projector differs from that of other lenses. For details, refer to "ET-D3LEW201, ET-D3LEU101" (page 7), "ET-D75LE95" (page 8), or "ET-D3LEF70" (page 9-10).

Screen aspect ratio 16:9

Unit: feet

Lens type				Fixed-Focus Lens				
Projection lens Model No.				ET-D3LEU101 ²	ET-D3LEW50	ET-D75LE95 ²		
Throw ratio ¹				0.370:1	0.695:1	0.364:1		
Projection screen size				Projection distance (L)		Projection distance (L1)	Distance between the projector and the screen	
Diagonal (SD)		Height (SH)	Width (SW)	Fixed	Fixed		(L4)	(A1)
m	inches							
1.778	70	0.872	1.550	-	3.41	-	-	-
2.032	80	0.996	1.771	-	3.94	-	-	-
2.286	90	1.121	1.992	-	4.46	-	-	-
2.540	100	1.245	2.214	-	4.95	-	-	-
3.048	120	1.494	2.657	-	6.00	3.18	0.24	0.89-1.44
3.810	150	1.868	3.321	-	7.58	3.96	1.02	1.21-1.89
5.080	200	2.491	4.428	5.38	10.17	5.26	2.32	1.73-2.64
6.350	250	3.113	5.535	6.76	12.76	6.56	3.62	2.25-3.38
7.620	300	3.736	6.641	8.17	15.35	7.86	4.92	2.77-4.13
8.890	350	4.358	7.748	9.58	17.98	9.15	6.22	3.29-4.88
10.160	400	4.981	8.855	10.96	20.57	10.45	7.51	3.82-5.63
12.700	500	6.226	11.069	13.75	25.75	13.05	10.11	4.86-7.13
15.240	600	7.472	13.283	16.57	30.97	15.64	12.71	5.90-8.63
17.780	700	8.717	15.497	-	36.15	-	-	-
20.320	800	9.962	17.710	-	41.37	-	-	-
22.860	900	11.207	19.924	-	46.55	-	-	-
25.400	1000	12.453	22.138	-	51.77	-	-	-

1 The throw ratio is based on the value during projection with the projected image size of 150 in.

2 When the Zoom Lens (Model No.: ET-D3LEW201), the Fixed-focus Lens (Model No.: ET-D3LEU101, ET-D75LE95), or the Fisheye Lens (Model No.: ET-D3LEF70) is used, the projection relation between the screen and the projector differs from that of other lenses. For details, refer to "ET-D3LEW201, ET-D3LEU101" (page 7), "ET-D75LE95" (page 8), or "ET-D3LEF70" (page 9-10).

Screen aspect ratio 4:3

Unit: meters

Lens type				Zoom lens													
Projection lens Model No.				ET-D3LEW201 ²	ET-D3LEW300	ET-D3LEW60	ET-D3LEW600	ET-D3LEW10	ET-D3LES20	ET-D3LES250							
Throw ratio ¹				0.778-1.02:1	0.925-1.12:1	1.12-1.32:1	1.12-1.54:1	1.52-2.07:1	2.00-2.90:1	2.01-2.90:1							
Projection screen size				Projection distance (L)													
Diagonal (SD)		Height (SH)	Width (SW)	min. (LW)	max. (LT)	min. (LW)	max. (LT)	min. (LW)	max. (LT)	min. (LW)	max. (LT)	min. (LW)	max. (LT)	min. (LW)	max. (LT)	min. (LW)	max. (LT)
m	inches	(SH)	(SW)	(LW)	(LT)	(LW)	(LT)	(LW)	(LT)	(LW)	(LT)	(LW)	(LT)	(LW)	(LT)	(LW)	(LT)
1.778	70	1.067	1.422	-	-	1.30	1.58	1.55	1.85	1.54	2.14	2.10	2.89	2.80	4.07	2.80	4.07
2.032	80	1.219	1.626	-	-	1.49	1.81	1.78	2.13	1.77	2.46	2.42	3.32	3.21	4.67	3.22	4.66
2.286	90	1.372	1.829	-	-	1.68	2.04	2.01	2.40	2.00	2.78	2.73	3.75	3.62	5.27	3.63	5.26
2.540	100	1.524	2.032	-	-	1.87	2.27	2.24	2.68	2.23	3.10	3.04	4.18	4.03	5.86	4.04	5.86
3.048	120	1.829	2.438	-	-	2.25	2.73	2.70	3.22	2.70	3.75	3.67	5.03	4.86	7.06	4.87	7.05
3.810	150	2.286	3.048	-	-	2.82	3.42	3.38	4.05	3.39	4.72	4.61	6.31	6.09	8.85	6.11	8.85
5.080	200	3.048	4.064	3.16	4.16	3.77	4.56	4.53	5.42	4.55	6.33	6.17	8.45	8.15	11.84	8.18	11.84
6.350	250	3.810	5.080	3.97	5.23	4.71	5.71	5.68	6.80	5.71	7.94	7.74	10.59	10.20	14.83	10.25	14.83
7.620	300	4.572	6.096	4.79	6.30	5.66	6.86	6.83	8.17	6.86	9.55	9.30	12.73	12.26	17.82	12.32	17.81
8.890	350	5.334	7.112	5.60	7.37	6.61	8.00	7.97	9.55	8.02	11.16	10.87	14.87	14.32	20.81	14.39	20.80
10.160	400	6.096	8.128	6.42	8.43	7.56	9.15	9.12	10.92	9.18	12.77	12.43	17.01	16.38	23.80	16.46	23.79
12.700	500	7.620	10.160	8.05	10.57	9.45	11.44	11.41	13.67	11.50	16.00	15.56	21.29	20.49	29.78	20.60	29.77
15.240	600	9.144	12.192	9.67	12.70	11.35	13.74	13.71	16.42	13.81	19.22	18.69	25.56	24.61	35.76	24.73	35.75
17.780	700	10.668	14.224	-	-	13.25	16.03	16.00	19.17	16.13	22.44	21.82	29.84	28.72	41.74	28.87	41.73
20.320	800	12.192	16.256	-	-	15.14	18.32	18.30	21.92	18.44	25.67	24.95	34.12	32.84	47.72	33.01	47.70
22.860	900	13.716	18.288	-	-	17.04	20.62	20.59	24.66	20.76	28.89	28.09	38.40	36.95	53.70	37.15	53.68
25.400	1000	15.240	20.320	-	-	18.93	22.91	22.89	27.41	23.07	32.11	31.22	42.67	41.07	59.68	41.29	59.66

Unit: meters

Projection lens Model No.				Zoom lens					
Throw ratio ¹				ET-D3LET30	ET-D3LET40	ET-D3LET80			
Projection screen size				2.88-5.61:1	5.54-8.90:1	8.82-16.6:1			
Diagonal (SD)		Height (SH)	Width (SW)	Projection distance (L)					
Diagonal (SD)		Height (SH)	Width (SW)	min. (LW)	max. (LT)	min. (LW)	max. (LT)	min. (LW)	max. (LT)
m	inches	(SH)	(SW)	(LW)	(LT)	(LW)	(LT)	(LW)	(LT)
1.778	70	1.067	1.422	4.02	7.88	7.78	12.56	12.33	23.47
2.032	80	1.219	1.626	4.61	9.03	8.92	14.38	14.15	26.88
2.286	90	1.372	1.829	5.21	10.18	10.06	16.20	15.97	30.28
2.540	100	1.524	2.032	5.80	11.34	11.19	18.03	17.78	33.69
3.048	120	1.829	2.438	6.99	13.64	13.46	21.67	21.42	40.50
3.810	150	2.286	3.048	8.76	17.10	16.87	27.13	26.87	50.71
5.080	200	3.048	4.064	11.73	22.86	22.55	36.24	35.96	67.73
6.350	250	3.810	5.080	14.69	28.63	28.23	45.34	45.04	84.75
7.620	300	4.572	6.096	17.65	34.39	33.91	54.45	54.13	101.78
8.890	350	5.334	7.112	20.61	40.15	39.59	63.55	63.21	118.80
10.160	400	6.096	8.128	23.58	45.91	45.27	72.66	72.30	135.82
12.700	500	7.620	10.160	29.50	57.44	56.63	90.87	90.47	169.87
15.240	600	9.144	12.192	35.43	68.97	67.99	109.08	108.64	203.91
17.780	700	10.668	14.224	41.36	80.49	79.35	127.29	126.81	-
20.320	800	12.192	16.256	47.28	92.02	90.70	145.50	144.98	-
22.860	900	13.716	18.288	53.21	103.54	102.06	163.71	163.15	-
25.400	1000	15.240	20.320	59.13	115.03	113.42	181.92	181.33	-

1 The throw ratio is based on the value during projection with the projected image size of 150 in.

2 When the Zoom Lens (Model No.: ET-D3LEW201), the Fixed-focus Lens (Model No.: ET-D3LEU101, ET-D75LE95), or the Fisheye Lens (Model No.: ET-D3LEF70) is used, the projection relation between the screen and the projector differs from that of other lenses. For details, refer to "ET-D3LEW201, ET-D3LEU101" (page 7), "ET-D75LE95" (page 8), or "ET-D3LEF70" (page 9-10).

Screen aspect ratio 4:3

Unit: meters

Projection lens Model No.				Fixed-Focus Lens				
Throw ratio ¹				ET-D3LEU101 ²	ET-D3LEW50	ET-D75LE95 ²		
Projection screen size				0.446:1	0.836:1	0.436:1		
Diagonal (SD)		Height (SH)	Width (SW)	Projection distance (L)		Projection distance (L1)	Distance between the projector and the screen	
Diagonal (SD)	Height (SH)	Width (SW)	Fixed	Fixed	(L4)		(A1)	
m	inches	(SH)	(SW)					
1.778	70	1.067	1.422	-	1.15	-	-	-
2.032	80	1.219	1.626	-	1.33	-	-	-
2.286	90	1.372	1.829	-	1.50	-	-	-
2.540	100	1.524	2.032	-	1.67	-	-	-
3.048	120	1.829	2.438	-	2.02	1.07	0.17	0.22-0.40
3.810	150	2.286	3.048	-	2.55	1.33	0.43	0.30-0.53
5.080	200	3.048	4.064	1.81	3.42	1.76	0.87	0.44-0.74
6.350	250	3.810	5.080	2.28	4.29	2.20	1.30	0.58-0.96
7.620	300	4.572	6.096	2.75	5.17	2.64	1.74	0.71-1.17
8.890	350	5.334	7.112	3.22	6.04	3.07	2.18	0.85-1.38
10.160	400	6.096	8.128	3.69	6.91	3.51	2.61	0.99-1.60
12.700	500	7.620	10.160	4.63	8.66	4.38	3.48	1.26-2.02
15.240	600	9.144	12.192	5.56	10.40	5.25	4.35	1.54-2.45
17.780	700	10.668	14.224	-	12.15	-	-	-
20.320	800	12.192	16.256	-	13.90	-	-	-
22.860	900	13.716	18.288	-	15.64	-	-	-
25.400	1000	15.240	20.320	-	17.39	-	-	-

1 The throw ratio is based on the value during projection with the projected image size of 150 in.

2 When the Zoom Lens (Model No.: ET-D3LEW201), the Fixed-focus Lens (Model No.: ET-D3LEU101, ET-D75LE95), or the Fisheye Lens (Model No.: ET-D3LEF70) is used, the projection relation between the screen and the projector differs from that of other lenses. For details, refer to "ET-D3LEW201, ET-D3LEU101" (page 7), "ET-D75LE95" (page 8), or "ET-D3LEF70" (page 9-10).

Screen aspect ratio 4:3

Unit: feet

Lens type				Zoom lens													
Projection lens Model No.				ET-D3LEW201 ²	ET-D3LEW300	ET-D3LEW60	ET-D3LEW600	ET-D3LEW10	ET-D3LES20	ET-D3LES250							
Throw ratio ¹				0.778-1.02:1	0.925-1.12:1	1.12-1.32:1	1.12-1.54:1	1.52-2.07:1	2.00-2.90:1	2.01-2.90:1							
Projection screen size				Projection distance (L)													
Diagonal (SD)		Height (SH)	Width (SW)	min. (LW)	max. (LT)	min. (LW)	max. (LT)	min. (LW)	max. (LT)	min. (LW)	max. (LT)	min. (LW)	max. (LT)	min. (LW)	max. (LT)	min. (LW)	max. (LT)
m	inches																
1.778	70	1.067	1.422	-	-	4.27	5.18	5.09	6.07	5.04	7.01	6.89	9.48	9.19	13.35	9.19	13.34
2.032	80	1.219	1.626	-	-	4.89	5.94	5.84	6.99	5.80	8.07	7.94	10.89	10.53	15.32	10.55	15.30
2.286	90	1.372	1.829	-	-	5.51	6.69	6.59	7.87	6.56	9.13	8.96	12.30	11.88	17.29	11.91	17.26
2.540	100	1.524	2.032	-	-	6.14	7.45	7.35	8.79	7.32	10.19	9.97	13.71	13.22	19.23	13.27	19.22
3.048	120	1.829	2.438	-	-	7.38	8.96	8.86	10.56	8.84	12.30	12.04	16.50	15.94	23.16	15.98	23.15
3.810	150	2.286	3.048	-	-	9.25	11.22	11.09	13.29	11.12	15.47	15.12	20.70	19.98	29.04	20.06	29.03
5.080	200	3.048	4.064	10.37	13.65	12.37	14.96	14.86	17.78	14.92	20.76	20.24	27.72	26.74	38.84	26.84	38.84
6.350	250	3.810	5.080	13.02	17.16	15.45	18.73	18.63	22.31	18.72	26.05	25.39	34.74	33.46	48.65	33.63	48.64
7.620	300	4.572	6.096	15.72	20.67	18.57	22.51	22.41	26.80	22.52	31.34	30.51	41.76	40.22	58.46	40.42	58.45
8.890	350	5.334	7.112	18.37	24.18	21.69	26.25	26.15	31.33	26.32	36.62	35.66	48.79	46.98	68.27	47.21	68.25
10.160	400	6.096	8.128	21.06	27.66	24.80	30.02	29.92	35.83	30.12	41.91	40.78	55.81	53.74	78.08	53.99	78.06
12.700	500	7.620	10.160	26.41	34.68	31.00	37.53	37.43	44.85	37.71	52.49	51.05	69.85	67.22	97.70	67.57	97.67
15.240	600	9.144	12.192	31.73	41.67	37.24	45.08	44.98	53.87	45.31	63.06	61.32	83.86	80.74	117.32	81.15	117.29
17.780	700	10.668	14.224	-	-	43.47	52.59	52.49	62.89	52.91	73.64	71.59	97.90	94.22	136.94	94.72	136.90
20.320	800	12.192	16.256	-	-	49.67	60.10	60.04	71.92	60.51	84.21	81.86	111.94	107.74	156.56	108.30	156.51
22.860	900	13.716	18.288	-	-	55.90	67.65	67.55	80.90	68.10	94.79	92.16	125.98	121.23	176.18	121.87	176.12
25.400	1000	15.240	20.320	-	-	62.11	75.16	75.10	89.93	75.70	105.36	102.43	139.99	134.74	195.80	135.45	195.74

Unit: feet

Projection lens Model No.				Zoom lens					
Throw ratio ¹				ET-D3LET30	ET-D3LET40	ET-D3LET80			
Projection screen size				2.88-5.61:1	5.54-8.90:1	8.82-16.6:1			
Diagonal (SD)		Height (SH)	Width (SW)	Projection distance (L)					
Diagonal (SD)	Height (SH)			Width (SW)	min. (LW)	max. (LT)	min. (LW)	max. (LT)	min. (LW)
m	inches	Height (SH)	Width (SW)	min. (LW)	max. (LT)	min. (LW)	max. (LT)	min. (LW)	max. (LT)
1.778	70	1.067	1.422	13.19	25.85	25.52	41.21	40.45	77.00
2.032	80	1.219	1.626	15.12	29.63	29.26	47.18	46.42	88.19
2.286	90	1.372	1.829	17.09	33.40	33.00	53.15	52.39	99.34
2.540	100	1.524	2.032	19.03	37.20	36.71	59.15	58.33	110.53
3.048	120	1.829	2.438	22.93	44.75	44.16	71.09	70.27	132.87
3.810	150	2.286	3.048	28.74	56.10	55.35	89.01	88.16	166.37
5.080	200	3.048	4.064	38.48	75.00	73.98	118.90	117.98	222.21
6.350	250	3.810	5.080	48.19	93.93	92.62	148.75	147.77	278.05
7.620	300	4.572	6.096	57.91	112.83	111.25	178.64	177.59	333.92
8.890	350	5.334	7.112	67.62	131.72	129.89	208.49	207.38	389.76
10.160	400	6.096	8.128	77.36	150.62	148.52	238.38	237.20	445.60
12.700	500	7.620	10.160	96.78	188.45	185.79	298.13	296.81	557.31
15.240	600	9.144	12.192	116.24	226.28	223.06	357.87	356.43	668.99
17.780	700	10.668	14.224	135.69	264.07	260.33	417.61	416.04	-
20.320	800	12.192	16.256	155.12	301.90	297.57	477.36	475.65	-
22.860	900	13.716	18.288	174.57	339.69	334.84	537.10	535.26	-
25.400	1000	15.240	20.320	193.99	377.39	372.11	596.84	594.91	-

1 The throw ratio is based on the value during projection with the projected image size of 150 in.

2 When the Zoom Lens (Model No.: ET-D3LEW201), the Fixed-focus Lens (Model No.: ET-D3LEU101, ET-D75LE95), or the Fisheye Lens (Model No.: ET-D3LEF70) is used, the projection relation between the screen and the projector differs from that of other lenses. For details, refer to "ET-D3LEW201, ET-D3LEU101" (page 7), "ET-D75LE95" (page 8), or "ET-D3LEF70" (page 9-10).

Screen aspect ratio 4:3

Unit: feet

Projection lens Model No.				Fixed-Focus Lens				
Throw ratio ¹				ET-D3LEU101 ²	ET-D3LEW50	ET-D75LE95 ²		
Projection screen size				0.446:1	0.836:1	0.436:1		
Diagonal (SD)		Height (SH)	Width (SW)	Projection distance (L)		Projection distance (L1)	Distance between the projector and the screen	
Diagonal (SD)	Height (SH)	Width (SW)	Fixed	Fixed	(L4)		(A1)	
m	inches	(SH)	(SW)					
1.778	70	1.067	1.422	-	3.77	-	-	-
2.032	80	1.219	1.626	-	4.36	-	-	-
2.286	90	1.372	1.829	-	4.92	-	-	-
2.540	100	1.524	2.032	-	5.48	-	-	-
3.048	120	1.829	2.438	-	6.63	3.50	0.56	0.72-1.32
3.810	150	2.286	3.048	-	8.37	4.36	1.42	0.99-1.74
5.080	200	3.048	4.064	5.94	11.22	5.79	2.85	1.44-2.44
6.350	250	3.810	5.080	7.48	14.07	7.22	4.28	1.89-3.14
7.620	300	4.572	6.096	9.02	16.96	8.65	5.71	2.34-3.84
8.890	350	5.334	7.112	10.56	19.82	10.08	7.14	2.79-4.54
10.160	400	6.096	8.128	12.11	22.67	11.51	8.57	3.24-5.24
12.700	500	7.620	10.160	15.19	28.41	14.37	11.43	4.14-6.64
15.240	600	9.144	12.192	18.24	34.12	17.23	14.29	5.04-8.04
17.780	700	10.668	14.224	-	39.86	-	-	-
20.320	800	12.192	16.256	-	45.60	-	-	-
22.860	900	13.716	18.288	-	51.31	-	-	-
25.400	1000	15.240	20.320	-	57.05	-	-	-

1 The throw ratio is based on the value during projection with the projected image size of 150 in.

2 When the Zoom Lens (Model No.: ET-D3LEW201), the Fixed-focus Lens (Model No.: ET-D3LEU101, ET-D75LE95), or the Fisheye Lens (Model No.: ET-D3LEF70) is used, the projection relation between the screen and the projector differs from that of other lenses. For details, refer to "ET-D3LEW201, ET-D3LEU101" (page 7), "ET-D75LE95" (page 8), or "ET-D3LEF70" (page 9-10).

Screen aspect ratio 21:9

Unit: meters

Lens type				Zoom lens													
Projection lens Model No.				ET-D3LEW201 ²		ET-D3LEW300		ET-D3LEW60		ET-D3LEW600		ET-D3LEW10		ET-D3LES20		ET-D3LES250	
Throw ratio ¹				0.649-0.854:1		0.772-0.936:1		0.927-1.10:1		0.93-1.29:1		1.27-1.72:1		1.67-2.42:1		1.67-2.42:1	
Projection screen size				Projection distance (L)													
Diagonal (SD)		Height (SH)	Width (SW)	min. (LW)	max. (LT)	min. (LW)	max. (LT)	min. (LW)	max. (LT)	min. (LW)	max. (LT)	min. (LW)	max. (LT)	min. (LW)	max. (LT)	min. (LW)	max. (LT)
m	inches																
1.778	70	0.700	1.634	-	-	1.25	1.52	1.48	1.77	1.47	2.05	2.02	2.77	2.68	3.90	2.67	3.89
2.032	80	0.800	1.868	-	-	1.43	1.74	1.70	2.04	1.70	2.36	2.32	3.18	3.08	4.47	3.07	4.47
2.286	90	0.900	2.101	-	-	1.61	1.96	1.93	2.30	1.92	2.67	2.62	3.59	3.47	5.05	3.46	5.04
2.540	100	1.001	2.335	-	-	1.79	2.18	2.15	2.56	2.14	2.98	2.92	4.00	3.87	5.62	3.86	5.61
3.048	120	1.201	2.802	-	-	2.16	2.62	2.59	3.09	2.58	3.60	3.52	4.82	4.66	6.77	4.65	6.76
3.810	150	1.501	3.502	-	-	2.70	3.28	3.25	3.88	3.25	4.52	4.42	6.06	5.84	8.49	5.83	8.48
5.080	200	2.001	4.669	3.03	3.99	3.61	4.38	4.35	5.20	4.36	6.07	5.92	8.11	7.82	11.36	7.81	11.35
6.350	250	2.501	5.837	3.81	5.02	4.52	5.48	5.45	6.52	5.47	7.62	7.42	10.16	9.79	14.23	9.78	14.21
7.620	300	3.002	7.004	4.59	6.04	5.43	6.58	6.55	7.84	6.59	9.17	8.93	12.21	11.77	17.10	11.76	17.08
8.890	350	3.502	8.171	5.37	7.06	6.34	7.68	7.65	9.16	7.70	10.71	10.43	14.27	13.74	19.97	13.74	19.95
10.160	400	4.002	9.339	6.15	8.09	7.25	8.79	8.75	10.48	8.81	12.26	11.93	16.32	15.72	22.84	15.71	22.81
12.700	500	5.003	11.673	7.72	10.14	9.07	10.99	10.95	13.12	11.03	15.36	14.93	20.43	19.66	28.58	19.66	28.55
15.240	600	6.003	14.008	9.28	12.19	10.89	13.19	13.15	15.75	13.26	18.45	17.94	24.53	23.61	34.32	23.61	34.28
17.780	700	7.004	16.342	-	-	12.71	15.39	15.36	18.39	15.48	21.55	20.94	28.64	27.56	40.06	27.56	40.01
20.320	800	8.004	18.677	-	-	14.53	17.59	17.56	21.03	17.70	24.64	23.95	32.74	31.51	45.80	31.52	45.74
22.860	900	9.005	21.012	-	-	16.35	19.80	19.76	23.67	19.93	27.74	26.95	36.85	35.46	51.53	35.47	51.48
25.400	1000	10.006	23.346	-	-	18.17	22.00	21.96	26.31	22.15	30.83	29.96	40.95	39.41	57.27	39.42	57.21

Unit: meters

Lens type				Zoom lens					
Projection lens Model No.				ET-D3LET30		ET-D3LET40		ET-D3LET80	
Throw ratio ¹				2.41-4.68:1		4.63-7.43:1		7.36-13.8:1	
Projection screen size				Projection distance (L)					
Diagonal (SD)		Height (SH)	Width (SW)	min. (LW)	max. (LT)	min. (LW)	max. (LT)	min. (LW)	max. (LT)
m	inches								
1.778	70	0.700	1.634	3.86	7.55	7.46	12.05	11.82	22.51
2.032	80	0.800	1.868	4.42	8.66	8.55	13.80	13.57	25.78
2.286	90	0.900	2.101	4.99	9.77	9.64	15.55	15.31	29.05
2.540	100	1.001	2.335	5.56	10.87	10.73	17.29	17.05	32.32
3.048	120	1.201	2.802	6.70	13.09	12.91	20.79	20.54	38.85
3.810	150	1.501	3.502	8.41	16.40	16.19	26.03	25.77	48.65
5.080	200	2.001	4.669	11.25	21.94	21.64	34.77	34.49	64.99
6.350	250	2.501	5.837	14.09	27.47	27.09	43.51	43.21	81.33
7.620	300	3.002	7.004	16.94	33.00	32.54	52.25	51.93	97.67
8.890	350	3.502	8.171	19.78	38.53	37.99	60.99	60.65	114.00
10.160	400	4.002	9.339	22.62	44.06	43.44	69.73	69.37	130.34
12.700	500	5.003	11.673	28.31	55.12	54.34	87.20	86.81	163.02
15.240	600	6.003	14.008	34.00	66.18	65.24	104.68	104.25	195.69
17.780	700	7.004	16.342	39.69	77.25	76.15	122.16	121.69	-
20.320	800	8.004	18.677	45.37	88.31	87.05	139.64	139.13	-
22.860	900	9.005	21.012	51.06	99.37	97.95	157.11	156.57	-
25.400	1000	10.006	23.346	56.75	110.43	108.85	174.59	174.01	-

1 The throw ratio is based on the value during projection with the projected image size of 150 in.

2 When the Zoom Lens (Model No.: ET-D3LEW201), the Fixed-focus Lens (Model No.: ET-D3LEU101, ET-D75LE95), or the Fisheye Lens (Model No.: ET-D3LEF70) is used, the projection relation between the screen and the projector differs from that of other lenses. For details, refer to "ET-D3LEW201, ET-D3LEU101" (page 7), "ET-D75LE95" (page 8), or "ET-D3LEF70" (page 9-10).

Screen aspect ratio 21:9

Unit: meters

Lens type				Fixed-Focus Lens				
Projection lens Model No.				ET-D3LEU101 ²	ET-D3LEW50	ET-D75LE95 ²		
Throw ratio ¹				0.372:1	0.698:1	0.365:1		
Projection screen size				Projection distance (L)		Projection distance (L1)	Distance between the projector and the screen	
Diagonal (SD)		Height (SH)	Width (SW)	Fixed	Fixed		(L4)	(A1)
m	inches							
1.778	70	0.700	1.634	-	1.10	-	-	-
2.032	80	0.800	1.868	-	1.27	-	-	-
2.286	90	0.900	2.101	-	1.44	-	-	-
2.540	100	1.001	2.335	-	1.60	-	-	-
3.048	120	1.201	2.802	-	1.94	1.02	0.13	0.50-0.68
3.810	150	1.501	3.502	-	2.44	1.27	0.38	0.65-0.87
5.080	200	2.001	4.669	1.74	3.28	1.69	0.80	0.91-1.20
6.350	250	2.501	5.837	2.19	4.12	2.11	1.22	1.16-1.53
7.620	300	3.002	7.004	2.64	4.96	2.53	1.63	1.41-1.86
8.890	350	3.502	8.171	3.09	5.79	2.95	2.05	1.67-2.19
10.160	400	4.002	9.339	3.54	6.63	3.37	2.47	1.92-2.51
12.700	500	5.003	11.673	4.44	8.31	4.20	3.31	2.43-3.17
15.240	600	6.003	14.008	5.34	9.98	5.04	4.14	2.94-3.83
17.780	700	7.004	16.342	-	11.66	-	-	-
20.320	800	8.004	18.677	-	13.33	-	-	-
22.860	900	9.005	21.012	-	15.01	-	-	-
25.400	1000	10.006	23.346	-	16.68	-	-	-

1 The throw ratio is based on the value during projection with the projected image size of 150 in.

2 When the Zoom Lens (Model No.: ET-D3LEW201), the Fixed-focus Lens (Model No.: ET-D3LEU101, ET-D75LE95), or the Fisheye Lens (Model No.: ET-D3LEF70) is used, the projection relation between the screen and the projector differs from that of other lenses. For details, refer to "ET-D3LEW201, ET-D3LEU101" (page 7), "ET-D75LE95" (page 8), or "ET-D3LEF70" (page 9-10).

Screen aspect ratio 21:9

Unit: feet

Lens type				Zoom lens													
Projection lens Model No.				ET-D3LEW201 ²		ET-D3LEW300		ET-D3LEW60		ET-D3LEW600		ET-D3LEW10		ET-D3LES20		ET-D3LES250	
Throw ratio ¹				0.649-0.854:1		0.772-0.936:1		0.927-1.10:1		0.93-1.29:1		1.27-1.72:1		1.67-2.42:1		1.67-2.42:1	
Projection screen size				Projection distance (L)													
Diagonal (SD)		Height (SH)	Width (SW)	min. (LW)	max. (LT)	min. (LW)	max. (LT)	min. (LW)	max. (LT)	min. (LW)	max. (LT)	min. (LW)	max. (LT)	min. (LW)	max. (LT)	min. (LW)	max. (LT)
m	inches																
1.778	70	2.298	5.362	-	-	4.09	4.98	4.87	5.82	4.83	6.72	6.61	9.09	8.80	12.80	8.77	12.78
2.032	80	2.626	6.128	-	-	4.69	5.70	5.59	6.68	5.56	7.73	7.60	10.44	10.09	14.68	10.06	14.66
2.286	90	2.954	6.894	-	-	5.28	6.43	6.32	7.55	6.29	8.75	8.59	11.79	11.39	16.56	11.36	16.54
2.540	100	3.283	7.660	-	-	5.88	7.15	7.04	8.41	7.02	9.77	9.57	13.13	12.69	18.45	12.65	18.42
3.048	120	3.939	9.191	-	-	7.08	8.59	8.48	10.14	8.48	11.80	11.54	15.83	15.28	22.21	15.25	22.18
3.810	150	4.924	11.489	-	-	8.87	10.76	10.65	12.74	10.67	14.84	14.50	19.87	19.16	27.86	19.14	27.82
5.080	200	6.565	15.319	9.93	13.09	11.85	14.37	14.26	17.07	14.31	19.92	19.43	26.60	25.64	37.28	25.62	37.23
6.350	250	8.207	19.149	12.50	16.45	14.84	17.99	17.87	21.40	17.96	25.00	24.36	33.34	32.12	46.69	32.10	46.63
7.620	300	9.848	22.979	15.06	19.82	17.82	21.60	21.49	25.72	21.61	30.07	29.28	40.07	38.60	56.10	38.58	56.04
8.890	350	11.489	26.808	17.63	23.18	20.81	25.21	25.10	30.05	25.26	35.15	34.21	46.81	45.08	65.52	45.06	65.44
10.160	400	13.131	30.638	20.19	26.54	23.79	28.82	28.71	34.38	28.90	40.23	39.14	53.54	51.56	74.93	51.54	74.84
12.700	500	16.413	38.298	25.32	33.26	29.76	36.05	35.93	43.03	36.20	50.38	49.00	67.01	64.52	93.76	64.51	93.65
15.240	600	19.696	45.957	30.45	39.98	35.73	43.27	43.16	51.69	43.49	60.54	58.85	80.48	77.48	112.59	77.47	112.46
17.780	700	22.979	53.617	-	-	41.70	50.50	50.38	60.34	50.79	70.69	68.71	93.95	90.43	131.42	90.43	131.27
20.320	800	26.261	61.276	-	-	47.67	57.72	57.61	69.00	58.08	80.85	78.57	107.42	103.39	150.25	103.40	150.08
22.860	900	29.544	68.936	-	-	53.64	64.95	64.83	77.65	65.37	91.00	88.42	120.89	116.35	169.08	116.36	168.89
25.400	1000	32.827	76.595	-	-	59.61	72.17	72.06	86.31	72.67	101.15	98.28	134.36	129.31	187.90	129.32	187.70

Unit: feet

Lens type				Zoom lens					
Projection lens Model No.				ET-D3LET30		ET-D3LET40		ET-D3LET80	
Throw ratio ¹				2.41-4.68:1		4.63-7.43:1		7.36-13.8:1	
Projection screen size				Projection distance (L)					
Diagonal (SD)		Height (SH)	Width (SW)	min. (LW)	max. (LT)	min. (LW)	max. (LT)	min. (LW)	max. (LT)
m	inches								
1.778	70	2.298	5.362	12.65	24.78	24.49	39.53	38.79	73.86
2.032	80	2.626	6.128	14.51	28.41	28.06	45.27	44.51	84.58
2.286	90	2.954	6.894	16.38	32.04	31.64	51.00	50.23	95.30
2.540	100	3.283	7.660	18.25	35.67	35.22	56.74	55.95	106.02
3.048	120	3.939	9.191	21.98	42.93	42.37	68.20	67.39	127.46
3.810	150	4.924	11.489	27.58	53.82	53.10	85.41	84.56	159.62
5.080	200	6.565	15.319	36.91	71.97	70.99	114.08	113.17	213.23
6.350	250	8.207	19.149	46.24	90.11	88.87	142.75	141.78	266.83
7.620	300	9.848	22.979	55.57	108.26	106.75	171.42	170.38	320.43
8.890	350	11.489	26.808	64.90	126.41	124.64	200.09	198.99	374.03
10.160	400	13.131	30.638	74.23	144.55	142.52	228.76	227.60	427.63
12.700	500	16.413	38.298	92.88	180.84	178.29	286.10	284.82	534.84
15.240	600	19.696	45.957	111.54	217.14	214.05	343.44	342.04	642.04
17.780	700	22.979	53.617	130.20	253.43	249.82	400.78	399.25	-
20.320	800	26.261	61.276	148.86	289.72	285.59	458.12	456.47	-
22.860	900	29.544	68.936	167.52	326.02	321.35	515.46	513.69	-
25.400	1000	32.827	76.595	186.18	362.31	357.12	572.80	570.91	-

¹ The throw ratio is based on the value during projection with the projected image size of 150 in.

² When the Zoom Lens (Model No.: ET-D3LEW201), the Fixed-focus Lens (Model No.: ET-D3LEU101, ET-D75LE95), or the Fisheye Lens (Model No.: ET-D3LEF70) is used, the projection relation between the screen and the projector differs from that of other lenses. For details, refer to "ET-D3LEW201, ET-D3LEU101" (page 7), "ET-D75LE95" (page 8), or "ET-D3LEF70" (page 9-10).

Screen aspect ratio 21:9

Unit: feet

Lens type				Fixed-Focus Lens				
Projection lens Model No.				ET-D3LEU101 ²	ET-D3LEW50	ET-D75LE95 ²		
Throw ratio ¹				0.372:1	0.698:1	0.365:1		
Projection screen size				Projection distance (L)		Projection distance (L1)	Distance between the projector and the screen	
Diagonal (SD)		Height (SH)	Width (SW)	Fixed	Fixed		(L4)	(A1)
m	inches							
1.778	70	2.298	5.362	-	3.61	-	-	-
2.032	80	2.626	6.128	-	4.16	-	-	-
2.286	90	2.954	6.894	-	4.71	-	-	-
2.540	100	3.283	7.660	-	5.26	-	-	-
3.048	120	3.939	9.191	-	6.36	3.36	0.42	1.64-2.22
3.810	150	4.924	11.489	-	8.01	4.18	1.25	2.14-2.87
5.080	200	6.565	15.319	5.69	10.76	5.56	2.62	2.97-3.94
6.350	250	8.207	19.149	7.17	13.51	6.93	3.99	3.80-5.02
7.620	300	9.848	22.979	8.65	16.26	8.30	5.36	4.64-6.10
8.890	350	11.489	26.808	10.13	19.01	9.67	6.74	5.47-7.17
10.160	400	13.131	30.638	11.60	21.76	11.04	8.11	6.30-8.25
12.700	500	16.413	38.298	14.56	27.25	13.79	10.85	7.97-10.40
15.240	600	19.696	45.957	17.51	32.75	16.53	13.60	9.63-12.55
17.780	700	22.979	53.617	-	38.25	-	-	-
20.320	800	26.261	61.276	-	43.74	-	-	-
22.860	900	29.544	68.936	-	49.24	-	-	-
25.400	1000	32.827	76.595	-	54.74	-	-	-

1 The throw ratio is based on the value during projection with the projected image size of 150 in.

2 When the Zoom Lens (Model No.: ET-D3LEW201), the Fixed-focus Lens (Model No.: ET-D3LEU101, ET-D75LE95), or the Fisheye Lens (Model No.: ET-D3LEF70) is used, the projection relation between the screen and the projector differs from that of other lenses. For details, refer to "ET-D3LEW201, ET-D3LEU101" (page 7), "ET-D75LE95" (page 8), or "ET-D3LEF70" (page 9-10).

Calculation of the projection distance

To use a projected image size not listed in this manual, check the projected image size SD (m) and use the respective formula to calculate projection distance. The unit of all the formulae is m. (Values obtained by the following calculation formulae contain a slight error.)

When calculating a projection distance using image size designation (Value in inches), multiply the value in inches by 0.0254 and substitute it into SD in the formula for calculating the projection distance.

Zoom lens

Unit: m

Projection lens Model No.	Throw ratio	Aspect ratio	Projection distance (L) calculation formula	
			Minimum (LW)	Maximum (LT)
ET-D3LEW201	0.645-0.850:1	16:10	=0.5665 x SD - 0.1001	=0.7425 x SD - 0.1076
	0.646-0.851:1	16:9	=0.5823 x SD - 0.1001	=0.7632 x SD - 0.1076
	0.778-1.02:1	4:3	=0.6414 x SD - 0.1001	=0.8406 x SD - 0.1076
	0.649-0.854:1	21:9	=0.6156 x SD - 0.1001	=0.8068 x SD - 0.1076
ET-D3LEW300	0.770-0.933:1	16:10	=0.6594 x SD - 0.0272	=0.7976 x SD - 0.0231
	0.770-0.933:1	16:9	=0.6777 x SD - 0.0272	=0.8197 x SD - 0.0231
	0.925-1.12:1	4:3	=0.7465 x SD - 0.0272	=0.9029 x SD - 0.0231
	0.772-0.936:1	21:9	=0.7164 x SD - 0.0272	=0.8670 x SD - 0.0231
ET-D3LEW60	0.924-1.10:1	16:10	=0.7979 x SD - 0.0566	=0.9559 x SD - 0.0736
	0.924-1.10:1	16:9	=0.8201 x SD - 0.0566	=0.9825 x SD - 0.0736
	1.12-1.32:1	4:3	=0.9032 x SD - 0.0566	=1.0822 x SD - 0.0736
	0.927-1.10:1	21:9	=0.8669 x SD - 0.0566	=1.0386 x SD - 0.0736
ET-D3LEW600	0.924-1.28:1	16:10	=0.8054 x SD - 0.0835	=1.1209 x SD - 0.1185
	0.925-1.28:1	16:9	=0.8278 x SD - 0.0835	=1.1521 x SD - 0.1185
	1.12-1.54:1	4:3	=0.9117 x SD - 0.0835	=1.2690 x SD - 0.1185
	0.93-1.29 :1	21:9	=0.8753 x SD - 0.0835	=1.2185 x SD - 0.1185
ET-D3LEW10	1.26-1.72:1	16:10	=1.0886 x SD - 0.0867	=1.4876 x SD - 0.1025
	1.26-1.72:1	16:9	=1.1188 x SD - 0.0867	=1.5290 x SD - 0.1025
	1.52-2.07:1	4:3	=1.2324 x SD - 0.0867	=1.6841 x SD - 0.1025
	1.27-1.72:1	21:9	=1.1828 x SD - 0.0867	=1.6163 x SD - 0.1025
ET-D3LES20	1.67-2.41:1	16:10	=1.4312 x SD - 0.0832	=2.0795 x SD - 0.1162
	1.67-2.41:1	16:9	=1.4709 x SD - 0.0832	=2.1373 x SD - 0.1162
	2.00-2.90:1	4:3	=1.6202 x SD - 0.0832	=2.3542 x SD - 0.1162
	1.67-2.42:1	21:9	=1.5550 x SD - 0.0832	=2.2594 x SD - 0.1162
ET-D3LES250	1.67-2.41:1	16:10	=1.4390 x SD - 0.0941	=2.0789 x SD - 0.1187
	1.67-2.41:1	16:9	=1.4790 x SD - 0.0941	=2.1367 x SD - 0.1187
	2.01-2.90:1	4:3	=1.6291 x SD - 0.0941	=2.3535 x SD - 0.1187
	1.67-2.42:1	21:9	=1.5556 x SD - 0.0941	=2.2570 x SD - 0.1187
ET-D3LET30	2.40-4.66:1	16:10	=2.0609 x SD - 0.1261	=4.0084 x SD - 0.1892
	2.40-4.66:1	16:9	=2.1182 x SD - 0.1261	=4.1198 x SD - 0.1892
	2.88-5.61:1	4:3	=2.3331 x SD - 0.1261	=4.5378 x SD - 0.1892
	2.41-4.68:1	21:9	=2.2392 x SD - 0.1261	=4.3552 x SD - 0.1892
ET-D3LET40	4.61-7.41:1	16:10	=3.9505 x SD - 0.1673	=6.3330 x SD - 0.1846
	4.61-7.41:1	16:9	=4.0601 x SD - 0.1673	=6.5091 x SD - 0.1846
	5.54-8.90:1	4:3	=4.4720 x SD - 0.1673	=7.1694 x SD - 0.1846
	4.63-7.43:1	21:9	=4.2920 x SD - 0.1673	=6.8809 x SD - 0.1846
ET-D3LET80	7.34-13.8:1	16:10	=6.3193 x SD - 0.3862	=11.8400 x SD - 0.3598
	7.34-13.8:1	16:9	=6.4950 x SD - 0.3862	=12.1692 x SD - 0.3598
	8.82-16.6:1	4:3	=7.1540 x SD - 0.3862	=13.4039 x SD - 0.3598
	7.36-13.8:1	21:9	=6.8661 x SD - 0.3862	=12.8644 x SD - 0.3598

Fixed-Focus Lens

Unit: m

Projection lens Model No.	Throw ratio	Aspect ratio	Projection distance (L) calculation formula
ET-D3LEU101	0.370:1	16:10	$=0.3264 \times SD - 0.0664$
	0.370:1	16:9	$=0.3355 \times SD - 0.0664$
	0.446:1	4:3	$=0.3695 \times SD - 0.0664$
	0.372:1	21:9	$=0.3546 \times SD - 0.0664$
ET-D3LEW50	0.694:1	16:10	$=0.6072 \times SD - 0.0713$
	0.695:1	16:9	$=0.6240 \times SD - 0.0713$
	0.836:1	4:3	$=0.6873 \times SD - 0.0713$
	0.698:1	21:9	$=0.6597 \times SD - 0.0713$

Projection lens Model No.	Throw ratio	Aspect ratio	Projection distance (L) calculation formula	Distance between the projector and the screen (A1) calculation formula	
				Minimum (LW)	Maximum (LT)
ET-D75LE95	0.364:1	16:10	$=0.303 \times SD + 0.02$	$=0.180 \times SH - 0.11$	$=0.280 \times SH - 0.11$
	0.364:1	16:9	$=0.312 \times SD + 0.02$	$=0.256 \times SH - 0.11$	$=0.367 \times SH - 0.11$
	0.436:1	4:3	$=0.343 \times SD + 0.02$	$=0.180 \times SH - 0.11$	$=0.280 \times SH - 0.11$
	0.365:1	21:9	$=0.329 \times SD + 0.02$	$=0.507 \times SH - 0.11$	$=0.656 \times SH - 0.11$

Lens shift range

The projector can adjust the position of the projected image within the lens shift range for each projection lens based on the optical center position of the image (standard projection position). Optical center position of the image is an image position based on the optical axis center of the projector body.

Perform the lens shift adjustment within the range indicated in the following illustration.

Note that moving the lens outside the adjustment range may change the focus.

This is because the shift of the lens is restricted to protect the optical parts.

Following illustration indicates the lens shift range when the projector is installed on desk/floor.

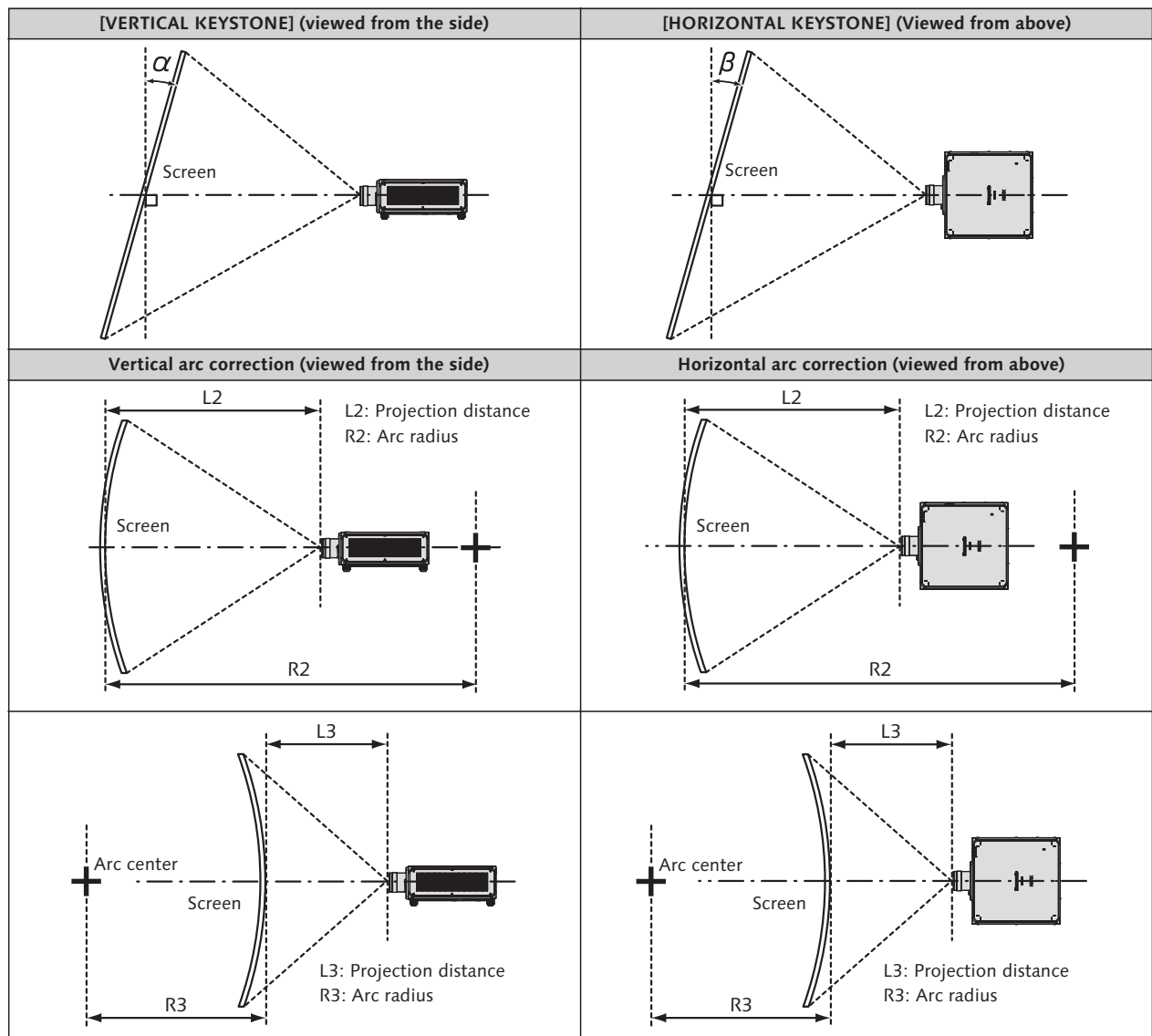
Note that the illustration for the Fisheye Lens (Model No.: ET-D3LEF70) does not represent the actual movement of projected image.

Projection lens Model No.	ET-D3LEW201 is mounted.	ET-D3LEW300, ET-D3LEW60, ET-D3LEW600 is mounted.
Lens shift range	<p>Projected image width H</p> <p>0.15 H</p> <p>0.15 H</p> <p>0.12 V</p> <p>0.12 V</p> <p>0.48 V</p> <p>0.48 V</p> <p>Projected image height V</p> <p>Optical axis center</p> <p>Standard projection position</p>	<p>Projected image width H</p> <p>0.15 H</p> <p>0.15 H</p> <p>0.12 V</p> <p>0.12 V</p> <p>0.44 V</p> <p>0.44 V</p> <p>Projected image height V</p> <p>Optical axis center</p> <p>Standard projection position</p>
Projection lens Model No.	ET-D3LEW10, ET-D3LES20, ET-D3LES250, ET-D3LET30, ET-D3LET40, ET-D3LET80 is mounted.	ET-D3LEU101 is mounted.
Lens shift range	<p>Projected image width H</p> <p>0.2 H</p> <p>0.2 H</p> <p>0.12 V</p> <p>0.12 V</p> <p>0.55 V</p> <p>0.55 V</p> <p>Projected image height V</p> <p>Optical axis center</p> <p>Standard projection position</p>	<p>Projected image width H</p> <p>0.25 H</p> <p>0.12 V</p> <p>0.12 V</p> <p>0.55 V</p> <p>0.55 V</p> <p>Projected image height V</p> <p>Optical axis center</p> <p>Standard projection position</p> <p>Part of the image may be obscured</p>

Projection lens Model No.	ET-D75LE95 is mounted.	When ET-D3LEF70 is mounted.
Lens shift range	<p>Projected image width H</p> <p>0.12 H</p> <p>0.12 H</p> <p>0.05 V</p> <p>0.05 V</p> <p>0.07 V</p> <p>Projected image height V</p> <p>Standard projection position</p> <p>Optical axis center</p>	<p>Projected image width H</p> <p>0.12 H</p> <p>0.12 H</p> <p>0.27 V</p> <p>0.27 V</p> <p>Projected image height V</p> <p>Standard projection position</p> <p>Optical axis center</p>

* When using the fixed lens (Model No.: ET-D3LEW50) Use the projection lens in the standard projection position without adjusting the lens shift.

[GEOMETRY] projection range



Projection lens Model No.	Only [KEYSTONE] used ¹		[KEYSTONE] and [CURVED] used together				Only [CURVED] used	
	Vertical keystone correction angle α (°)	Horizontal keystone correction angle β (°)	Vertical keystone correction angle α (°)	Horizontal keystone correction angle β (°)	Min. value of R2/L2	Min. value of R3/L3	Min. value of R2/L2	Min. value of R3/L3
ET-D3LEW201	±15	±5	–	–	–	–	–	–
ET-D3LEW300	±15	±5	–	–	–	–	–	–
ET-D3LEW60 ET-D3LEW600	±28	±15	±10	±10	1.2	3.0	0.7	1.7
ET-D3LEW10	±40	±40	±20	±15	0.9	2.0	0.5	1.1
ET-D3LES20 ET-D3LES250	±40	±40	±20	±15	0.7	1.3	0.4	0.7
ET-D3LET30	±45	±40	±20	±15	0.5	0.9	0.3	0.5
ET-D3LET40	±45	±40	±20	±15	0.3	0.5	0.2	0.3
ET-D3LET80	±45	±40	±20	±15	0.2	0.3	0.1	0.2
ET-D75LE95 ²	+5/-0	0	–	–	–	–	–	–
ET-D3LEU101	±8	±5	–	–	–	–	–	–
ET-D3LEW50	±22	±15	±8	±8	1.5	3.7	0.9	2.2
ET-D3LEF70	–	–	–	–	–	–	–	–

1 When [VERTICAL KEYSTONE] and [HORIZONTAL KEYSTONE] are used simultaneously, correction cannot be made exceeding total of 55°.

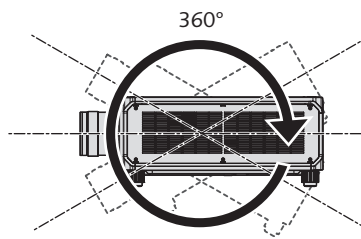
2 Only the vertical keystone correction angle can be corrected in the direction in which the projector body moves away from the screen.

Note

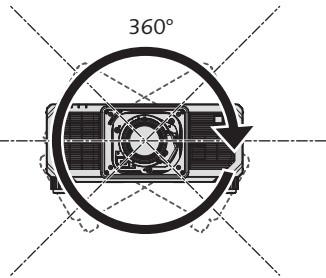
- When [GEOMETRY] is used, the focus of the entire screen may be lost as correction increases.
- Make the curved screen a circular arc shape with one part of a perfect circle removed.
- Adjustment range of the [GEOMETRY] items may not match the listed projection range depending on the projection lens. Use this projector within the projection range, otherwise the correction may not work.

Installable angle

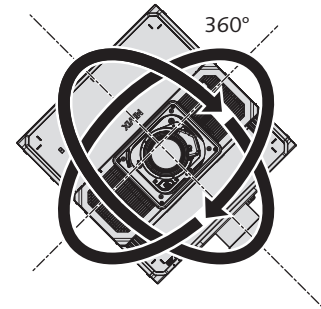
Install the projector at an angle within the range shown below.

FULL 360-degree projection

Vertical 360-deg.

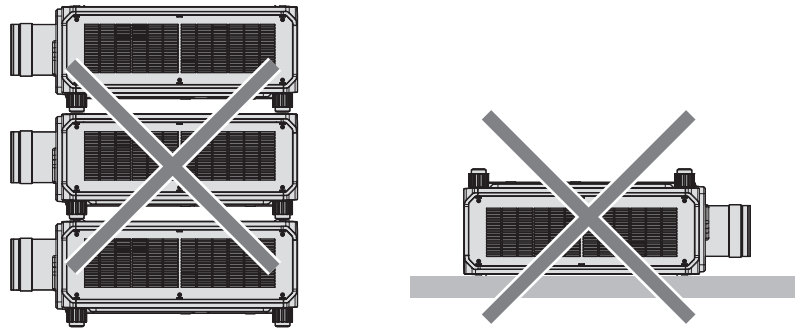


Horizontal 360-deg.

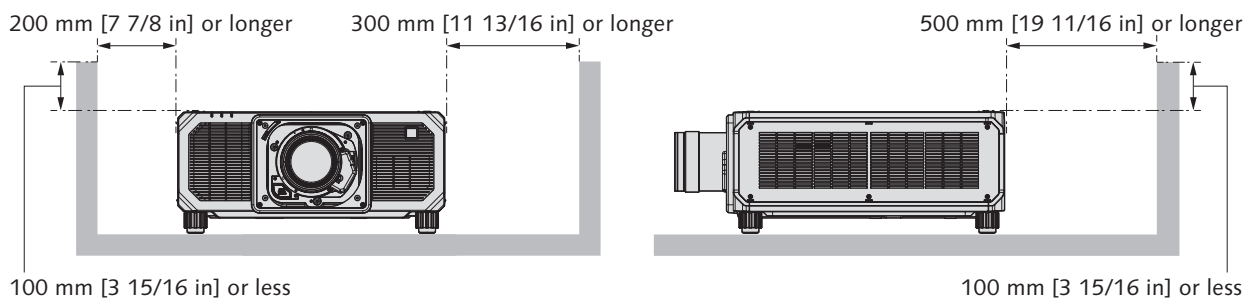
Tilting 360-deg.
(Vertical and Horizontal combination)

Notes on projector placement and operation

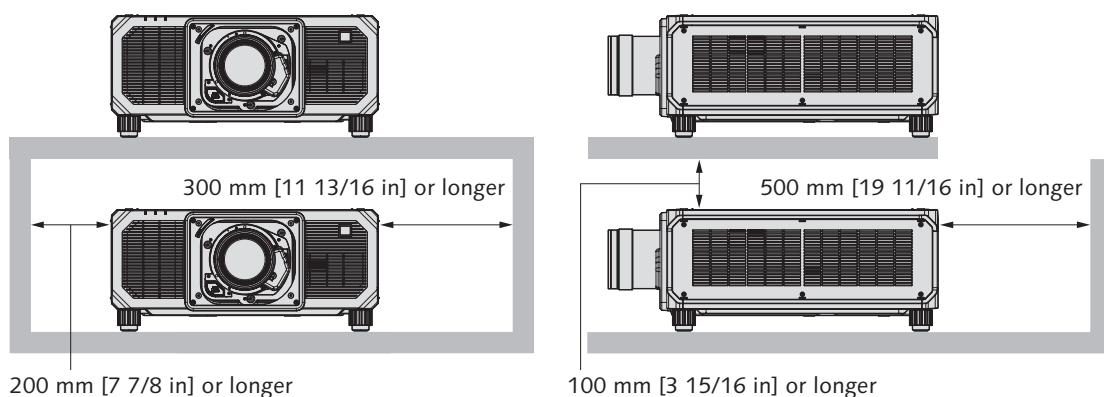
- Do not stack three or more projectors.
- Do not simultaneously use both projectors when stacked on top of each other. When stacking two projectors, use only one projector at a time and make the other as a backup device. Take a measure to prevent sliding off just in case.
- Do not use the projector supporting it by the top.



- Do not block the ventilation ports (intake and exhaust) of the projector.
- Prevent hot and cool air from the air conditioning system to blow directly into the ventilation ports (intake and exhaust) of the projector.



- Do not install the projector in a confined space.
When installing the projector in a confined space, provide air conditioning or ventilation separately. Exhaust heat may accumulate when the ventilation is not enough, triggering the protection circuit of the projector.



- When installing and fixing the projector on a ceiling or wall using a mount, make sure that the fixing screw or power cord does not come in contact with metal section inside the ceiling or wall. Failure to observe this may result in electric shocks.
- Panasonic Projector & Display Corporation. takes no responsibility for any damage to the product caused by an inappropriate choice of location for installing the projector, even if the warranty period of the product has not expired.
- Immediately remove the product that is not in use anymore by asking a qualified technician.

List of compatible signals (TBD)

The following table specifies the video signals compatible with the projector.

For details of SDI signal, refer to "List of single link SDI compatible signals"(page 36). "List of quad link SDI compatible signals"(page 38).

This projector supports the signal with ✓ in the compatible signal column.

- The content of the compatible signal column is as follows.

-V: Video signal -C: Computer signal

Signal Type	Signal name (SIGNAL FORMAT)	Resolution (Dots)	Scanning freq.		Dot clock freq. (MHz)	Compatible signal	
			Horizontal (kHz)	Vertical (Hz)		HDMI™	DIGITAL LINK ¹
V	480/60p	720 x 480	31.5	59.9	27.0	✓	✓
	576/50p	720 x 576	31.3	50.0	27.0	✓	✓
	720/60p	1280 x 720	45.0	60.0 ²	74.3	✓	✓
	720/50p	1280 x 720	37.5	50.0	74.3	✓	✓
	1080/60i	1920 x 1080i	33.8	60.0 ²	74.3	✓	✓
	1080/50i	1920 x 1080i	28.1	50.0	74.3	✓	✓
	1080/24p	1920 x 1080	27.0	24.0 ²	74.3	✓	✓
	1080/25p	1920 x 1080	28.1	25.0	74.3	✓	✓
	1080/30p	1920 x 1080	33.8	30.0 ²	74.3	✓	✓
	1080/60p	1920 x 1080	67.5	60.0 ²	148.5	✓	✓
	1080/50p	1920 x 1080	56.3	50.0	148.5	✓	✓
	1080/100p	1920 x 1080	112.5	100.0 ²	297.0	✓	✓
	1080/120p	1920 x 1080	135.0	120.0 ²	297.0	✓	✓
	2K/24p	2048 x 1080	27.0	24.0 ²	74.3	✓	✓
	2K/25p	2048 x 1080	28.1	25.0	74.3	✓	✓
	2K/30p	2048 x 1080	33.8	30.0 ²	74.3	✓	✓
	2K/48p	2048 x 1080	54.0	48.0 ²	148.5	✓	✓
	2K/60p	2048 x 1080	67.5	60.0 ²	148.5	✓	✓
	2K/50p	2048 x 1080	56.3	50.0	148.5	✓	✓
	2560 x 1080/60p	2560 x 1080	66.0	60.0 ²	198.0	✓	✓
	2560 x 1080/50p	2560 x 1080	56.3	50.0	185.6	✓	✓
	3840 x 2160/24p	3840 x 2160	54.0	24.0 ²	297.0	✓	✓
	3840 x 2160/25p	3840 x 2160	56.3	25.0	297.0	✓	✓
	3840 x 2160/30p	3840 x 2160	67.5	30.0 ²	297.0	✓	✓
	3840 x 2160/60p	3840 x 2160	135.0	60.0 ²	297.0	✓ ³	✓ ³
		3840 x 2160	135.0	60.0 ²	594.0	✓	—
	3840 x 2160/50p	3840 x 2160	112.5	50.0	297.0	✓ ³	✓ ³
		3840 x 2160	112.5	50.0	594.0	✓	—
	4096 x 2160/24p	4096 x 2160	54.0	24.0 ²	297.0	✓	✓
	4096 x 2160/25p	4096 x 2160	56.3	25.0	297.0	✓	✓
	4096 x 2160/30p	4096 x 2160	67.5	30.0 ²	297.0	✓	✓
	4096 x 2160/60p	4096 x 2160	135.0	60.0 ²	297.0	✓ ³	✓ ³
		4096 x 2160	135.0	60.0 ²	594.0	✓	—
4096 x 2160/50p	4096 x 2160	112.5	50.0	297.0	✓ ³	✓ ³	
	4096 x 2160	112.5	50.0	594.0	✓	—	
C	640 x 480/60	640 x 480	31.5	59.9	25.2	✓	✓
	1600 x 1200/50	1600 x 1200	61.8	49.9	131.5	✓	✓
	1600 x 1200/60	1600 x 1200	75.0	60.0	162.0	✓	✓
	1920 x 1080/240	1920 x 1080	291.6	240.0	583.2	✓	—
	1920 x 1200/50	1920 x 1200	61.8	49.9	158.3	✓	✓
	1920 x 1200/60RB	1920 x 1200 ⁴	74.0	60.0	154.0	✓	✓
	2560 x 1440/50	2560 x 1440	74.1	50.0	256.3	✓	✓
	2560 x 1440/60	2560 x 1440 ⁴	88.8	60.0	241.5	✓	✓
	2560 x 1600/50	2560 x 1600	82.4	50.0	286.0	✓	✓
	2560 x 1600/60	2560 x 1600 ⁴	98.7	60.0	268.5	✓	✓
	3440 x 1440/30	3440 x 1440 ⁴	44.0	30.0	154.7	✓	✓
	3440 x 1440/50	3440 x 1440 ⁴	73.7	50.0	259.4	✓	—
	3840 x 2400/30	3840 x 2400 ⁴	73.0	30.0	286.2	✓	✓
3840 x 2400/50	3840 x 2400 ⁴	122.9	50.0	481.6	✓	—	
3840 x 2400/60	3840 x 2400 ⁴	148.1	60.0	592.5	✓	—	

1 Requires TY-SB01DL Interface Board for DIGITAL LINK.

2 The signal with 1/1.001x vertical scanning frequency is also supported.

3 YPbPr 4:2:0 format only

4 VESA CVT-RB (Reduced Blanking)-compliant

Note

- A signal with a different resolution, including SDI signal, is displayed converted to the number of display dots. The number of display dots is as follows.
 - When using the PT-HTQ20 and the [QUAD PIXEL DRIVE] is set to [ON]: 3840 x 2400
 - When using the PT-HTQ20 and the [QUAD PIXEL DRIVE] is set to [OFF]: 1920 x 1200
- The "i" at the end of the resolution indicates an interlaced signal.
- When interlaced signals are connected, flickering may occur on the projected image.

List of Plug and play compatible signals (TBD)

The following table specifies the video signals compatible with plug and play.

Signal with ✓ in the plug and play compatible signal column is the signal described in the EDID (extended display identification data) of the projector. For the signal without ✓ in the plug and play compatible signal column, the resolution may not be selected on the computer even if the projector is supporting it.

Signal Type	Signal name (SIGNAL FORMAT)	Resolution (Dots)	Scanning freq.		Dot clock freq. (MHz)	Plug and play compatible signal					
			Horizontal (kHz)	Vertical (Hz)		HDMI™			DIGITAL LINK ¹		
						4K/60p ²	4K/30p	2K	4K/60p	4K/30p ³	2K
V	480/60p	720 x 480	31.5	59.9	27.0	✓	✓	✓	✓	✓	✓
	576/50p	720 x 576	31.3	50.0	27.0	✓	✓	✓	✓	✓	✓
	720/60p	1280 x 720	45.0	60.0 ⁴	74.3	✓	✓	✓	✓	✓	✓
	720/50p	1280 x 720	37.5	50.0	74.3	✓	✓	✓	✓	✓	✓
	1080/60i	1920 x 1080i	33.8	60.0 ⁴	74.3	✓	✓	✓	✓	✓	✓
	1080/50i	1920 x 1080i	28.1	50.0	74.3	✓	✓	✓	✓	✓	✓
	1080/24p	1920 x 1080	27.0	24.0 ⁴	74.3	✓	✓	✓	✓	✓	✓
	1080/25p	1920 x 1080	28.1	25.0	74.3	✓	✓	✓	✓	✓	✓
	1080/30p	1920 x 1080	33.8	30.0 ⁴	74.3	✓	✓	✓	✓	✓	✓
	1080/60p	1920 x 1080	67.5	60.0 ⁴	148.5	✓	✓	✓	✓	✓	✓
	1080/50p	1920 x 1080	56.3	50.0	148.5	✓	✓	✓	✓	✓	✓
	1080/100p	1920 x 1080	112.5	100.0	297.0	✓	✓	–	✓	✓	–
	1080/120p	1920 x 1080	135.0	120.0 ⁴	297.0	✓	✓	–	✓	✓	–
	2K/24p	2048 x 1080	27.0	24.0 ⁴	74.3	–	–	–	–	–	–
	2K/25p	2048 x 1080	28.1	25.0	74.3	–	–	–	–	–	–
	2K/30p	2048 x 1080	33.8	30.0 ⁴	74.3	–	–	–	–	–	–
	2K/48p	2048 x 1080	54.0	48.0 ⁴	148.5	–	–	–	–	–	–
	2K/60p	2048 x 1080	67.5	60.0 ⁴	148.5	–	–	–	–	–	–
	2K/50p	2048 x 1080	56.3	50.0	148.5	–	–	–	–	–	–
	2560 x 1080/60p	2560 x 1080	66.0	60.0 ⁴	198.0	✓	✓	–	✓	✓	–
	2560 x 1080/50p	2560 x 1080	56.3	50.0	185.6	✓	✓	–	✓	✓	–
	3840 x 2160/24p	3840 x 2160	54.0	24.0 ⁴	297.0	✓	✓	–	✓	✓	–
	3840 x 2160/25p	3840 x 2160	56.3	25.0	297.0	✓	✓	–	✓	✓	–
	3840 x 2160/30p	3840 x 2160	67.5	30.0 ⁴	297.0	✓	✓	–	✓	✓	–
	3840 x 2160/60p	3840 x 2160	135.0	60.0 ⁴	297.0	✓ ⁵	–	–	✓ ⁵	–	–
		3840 x 2160	135.0	60.0 ⁴	594.0	✓	–	–	–	–	–
	3840 x 2160/50p	3840 x 2160	112.5	50.0	297.0	✓ ⁵	–	–	✓ ⁵	–	–
		3840 x 2160	112.5	50.0	594.0	✓	–	–	–	–	–
	4096 x 2160/24p	4096 x 2160	54.0	24.0 ⁴	297.0	✓	✓	–	✓	✓	–
	4096 x 2160/25p	4096 x 2160	56.3	25.0	297.0	✓	✓	–	✓	✓	–
	4096 x 2160/30p	4096 x 2160	67.5	30.0 ⁴	297.0	✓	✓	–	✓	✓	–
	4096 x 2160/60p	4096 x 2160	135.0	60.0 ⁴	297.0	✓ ⁵	–	–	✓ ⁵	–	–
		4096 x 2160	135.0	60.0 ⁴	594.0	✓	–	–	–	–	–
4096 x 2160/50p	4096 x 2160	112.5	50.0	297.0	✓ ⁵	–	–	✓ ⁵	–	–	
	4096 x 2160	112.5	50.0	594.0	✓	–	–	–	–	–	
C	640 x 480/60	640 x 480	31.5	59.9	25.2	✓	✓	✓	✓	✓	✓
	1600 x 1200/50	1600 x 1200	61.8	49.9	131.5	–	–	–	–	–	–
	1600 x 1200/60	1600 x 1200	75.0	60.0	162.0	✓	✓	✓	✓	✓	✓
	1680 x 1050/50	1680 x 1050	54.1	50.0	119.5	–	–	–	–	–	–
	1680 x 1050/60	1680 x 1050	65.3	60.0	146.3	–	–	–	–	–	–
	1920 x 1080/240	1920 x 1080	291.6	240.0	583.2	✓	–	–	–	–	–
	1920 x 1200/50	1920 x 1200	61.8	49.9	158.3	–	–	–	–	–	–
	1920 x 1200/60RB	1920 x 1200 ⁶	74.0	60.0	154.0	✓	✓	✓	✓	✓	✓
	2560 x 1440/50	2560 x 1440	74.1	50.0	256.3	–	–	–	–	–	–
	2560 x 1440/60	2560 x 1440 ⁶	88.8	60.0	241.5	–	–	–	–	–	–
	2560 x 1600/50	2560 x 1600	82.4	50.0	286.0	–	–	–	–	–	–
	2560 x 1600/60	2560 x 1600 ⁶	98.7	60.0	268.5	✓	✓	–	✓	✓	–
	3440 x 1440/30	3440 x 1440 ⁶	44.0	30.0	154.7	✓	✓	–	✓	✓	–
	3440 x 1440/50	3440 x 1440 ⁶	73.7	50.0	259.4	–	–	–	–	–	–
	3840 x 2400/30	3840 x 2400 ⁶	73.0	30.0	286.2	–	–	–	–	–	–
3840 x 2400/50	3840 x 2400 ⁶	122.9	50.0	481.6	–	–	–	–	–	–	
3840 x 2400/60	3840 x 2400 ⁶	148.1	60.0	592.5	✓	–	–	–	–	–	

1 Requires TY-SB01DL Interface Board for DIGITAL LINK.

2 4K/60p indicates 4K/60p/SDR and 4K/60p/HDR.

3 4K/30p indicates 4K/30p/SDR and 4K/30p/HDR.

4 The signal with 1/1.001x vertical scanning frequency is also supported.

5 YPbPr 4:2:0 format only

6 VESA CVT-RB (Reduced Blanking)-compliant

List of Single link SDI compatible signals (TBD)

The following table specifies the single link SDI signals that the projector can project.

This is supported when the optional 12G-SDI Terminal Board (Model No.: TY-SB01QS) or the optional Function Board for 12G-SDI Optical (Model No.: TY-SB01FB) is installed in the slot.

- The content of the 4K division column is as follows.
-IL: Interleave (transmission format of 2-Sample Interleave Division)
- The content of the signal type column is as follows.
-V: Video signal

Signal Type	Signal name (SIGNAL FORMAT)	Resolution (Dots)	Scanning freq.		Dot clock freq. (MHz)	4K division	Format	Color format	Sampling
			Horizontal (kHz)	Vertical (Hz)					
V	720/60p ¹	1280 x 720	45.0	60.0 ²	74.3	—	HD-SDI	YPbPr	4:2:2 10bit
	720/50p ¹	1280 x 720	37.5	50.0	74.3	—	HD-SDI	YPbPr	4:2:2 10bit
	1080/60i	1920 x 1080i	33.8	60.0 ²	74.3	—	HD-SDI	YPbPr	4:2:2 10bit
		1920 x 1080i	33.8	60.0 ²	74.3	—	3G-SDI Level-A	RGB	4:4:4 10bit
		1920 x 1080i	33.8	60.0 ²	74.3	—	3G-SDI Level-A	RGB	4:4:4 12bit
	1080/50i	1920 x 1080i	28.1	50.0	74.3	—	HD-SDI	YPbPr	4:2:2 10bit
		1920 x 1080i	28.1	50.0	74.3	—	3G-SDI Level-A	RGB	4:4:4 10bit
		1920 x 1080i	28.1	50.0	74.3	—	3G-SDI Level-A	RGB	4:4:4 12bit
	1080/24p	1920 x 1080	27.0	24.0 ²	74.3	—	HD-SDI	YPbPr	4:2:2 10bit
		1920 x 1080	27.0	24.0 ²	74.3	—	3G-SDI Level-A	RGB	4:4:4 10bit
		1920 x 1080	27.0	24.0 ²	74.3	—	3G-SDI Level-A	RGB	4:4:4 12bit
	1080/24sF ¹	1920 x 1080i	27.0	48.0 ²	74.3	—	HD-SDI	YPbPr	4:2:2 10bit
		1920 x 1080i	27.0	48.0 ²	74.3	—	3G-SDI Level-A	RGB	4:4:4 10bit
		1920 x 1080i	27.0	48.0 ²	74.3	—	3G-SDI Level-A	RGB	4:4:4 12bit
	1080/25p	1920 x 1080	28.1	25.0	74.3	—	HD-SDI	YPbPr	4:2:2 10bit
		1920 x 1080	28.1	25.0	74.3	—	3G-SDI Level-A	RGB	4:4:4 10bit
		1920 x 1080	28.1	25.0	74.3	—	3G-SDI Level-A	RGB	4:4:4 12bit
	1080/30p	1920 x 1080	33.8	30.0 ²	74.3	—	HD-SDI	YPbPr	4:2:2 10bit
		1920 x 1080	33.8	30.0 ²	74.3	—	3G-SDI Level-A	RGB	4:4:4 10bit
		1920 x 1080	33.8	30.0 ²	74.3	—	3G-SDI Level-A	RGB	4:4:4 12bit
	1080/60p	1920 x 1080	67.5	60.0 ²	148.5	—	3G-SDI Level-A	YPbPr	4:2:2 10bit
	1080/50p	1920 x 1080	56.3	50.0	148.5	—	3G-SDI Level-A	YPbPr	4:2:2 10bit
	2K/24p	2048 x 1080	27.0	24.0 ²	74.3	—	3G-SDI Level-A	RGB	4:4:4 10bit
		2048 x 1080	27.0	24.0 ²	74.3	—	3G-SDI Level-A	RGB	4:4:4 12bit
	2K/25p	2048 x 1080	28.1	25.0	74.3	—	3G-SDI Level-A	RGB	4:4:4 10bit
		2048 x 1080	28.1	25.0	74.3	—	3G-SDI Level-A	RGB	4:4:4 12bit
	2K/30p	2048 x 1080	33.8	30.0 ²	74.3	—	3G-SDI Level-A	RGB	4:4:4 10bit
		2048 x 1080	33.8	30.0 ²	74.3	—	3G-SDI Level-A	RGB	4:4:4 12bit
	2K/48p ¹	2048 x 1080	54.0	48.0 ²	148.5	—	3G-SDI Level-A	YPbPr	4:2:2 10bit
	2K/60p	2048 x 1080	67.5	60.0 ²	148.5	—	3G-SDI Level-A	YPbPr	4:2:2 10bit
	2K/50p	2048 x 1080	56.3	50.0	148.5	—	3G-SDI Level-A	YPbPr	4:2:2 10bit
	3840 x 2160/24p	3840 x 2160	54.0	24.0 ²	297.0	IL	12G-SDI Type1	YPbPr	4:2:2 12bit
		3840 x 2160	54.0	24.0 ²	297.0	IL	12G-SDI Type1	YPbPr	4:4:4 10bit
		3840 x 2160	54.0	24.0 ²	297.0	IL	12G-SDI Type1	YPbPr	4:4:4 12bit
		3840 x 2160	54.0	24.0 ²	297.0	IL	12G-SDI Type1	RGB	4:4:4 10bit
	3840 x 2160/25p	3840 x 2160	56.3	25.0	297.0	IL	12G-SDI Type1	YPbPr	4:2:2 12bit
3840 x 2160		56.3	25.0	297.0	IL	12G-SDI Type1	YPbPr	4:4:4 10bit	
3840 x 2160		56.3	25.0	297.0	IL	12G-SDI Type1	YPbPr	4:4:4 12bit	
3840 x 2160		56.3	25.0	297.0	IL	12G-SDI Type1	RGB	4:4:4 10bit	
3840 x 2160/30p	3840 x 2160	67.5	30.0 ²	297.0	IL	12G-SDI Type1	YPbPr	4:2:2 12bit	
	3840 x 2160	67.5	30.0 ²	297.0	IL	12G-SDI Type1	YPbPr	4:4:4 10bit	
	3840 x 2160	67.5	30.0 ²	297.0	IL	12G-SDI Type1	YPbPr	4:4:4 12bit	
	3840 x 2160	67.5	30.0 ²	297.0	IL	12G-SDI Type1	RGB	4:4:4 10bit	
3840 x 2160/60p	3840 x 2160	135.0	60.0 ²	594.0	IL	12G-SDI Type1	YPbPr	4:2:2 10bit	
3840 x 2160/50p	3840 x 2160	112.5	50.0	594.0	IL	12G-SDI Type1	YPbPr	4:2:2 10bit	
4096 x 2160/24p	4096 x 2160	54.0	24.0 ²	297.0	IL	12G-SDI Type1	YPbPr	4:2:2 12bit	
	4096 x 2160	54.0	24.0 ²	297.0	IL	12G-SDI Type1	YPbPr	4:4:4 10bit	
	4096 x 2160	54.0	24.0 ²	297.0	IL	12G-SDI Type1	YPbPr	4:4:4 12bit	
	4096 x 2160	54.0	24.0 ²	297.0	IL	12G-SDI Type1	RGB	4:4:4 10bit	

Signal Type	Signal name (SIGNAL FORMAT)	Resolution (Dots)	Scanning freq.		Dot clock freq. (MHz)	4K division	Format	Color format	Sampling
			Horizontal (kHz)	Vertical (Hz)					
V	4096 x 2160/25p	4096 x 2160	56.3	25.0	297.0	IL	12G-SDI Type1	YPbPr	4:2:2 12bit
		4096 x 2160	56.3	25.0	297.0	IL	12G-SDI Type1	YPbPr	4:4:4 10bit
		4096 x 2160	56.3	25.0	297.0	IL	12G-SDI Type1	YPbPr	4:4:4 12bit
		4096 x 2160	56.3	25.0	297.0	IL	12G-SDI Type1	RGB	4:4:4 10bit
	4096 x 2160/30p	4096 x 2160	56.3	25.0	297.0	IL	12G-SDI Type1	RGB	4:4:4 12bit
		4096 x 2160	67.5	30.0 ²	297.0	IL	12G-SDI Type1	YPbPr	4:2:2 12bit
		4096 x 2160	67.5	30.0 ²	297.0	IL	12G-SDI Type1	YPbPr	4:4:4 10bit
		4096 x 2160	67.5	30.0 ²	297.0	IL	12G-SDI Type1	YPbPr	4:4:4 12bit
		4096 x 2160	67.5	30.0 ²	297.0	IL	12G-SDI Type1	RGB	4:4:4 10bit
	4096 x 2160/60p	4096 x 2160	67.5	30.0 ²	297.0	IL	12G-SDI Type1	RGB	4:4:4 12bit
		4096 x 2160	135.0	60.0 ²	594.0	IL	12G-SDI Type1	YPbPr	4:2:2 10bit
	4096 x 2160/50p	4096 x 2160	112.5	50.0	594.0	IL	12G-SDI Type1	YPbPr	4:2:2 10bit

1 This is supported when the optional Function Board for 12G-SDI Optical (Model No.: TY-SB01FB) is installed in the slot.

2 The signal with 1/1.001x vertical scanning frequency is also supported.

List of Quad link SDI compatible signals (TBD)

The following table specifies the dual signal SDI signals that the projector can project.

Requires TY-SB01QS Interface Board for 12G-SDI Input.

- The content of the 4K division column is as follows.
 - SQ: Square (transmission format of Square Division) -IL: Interleave (transmission format of 2-Sample Interleave Division)
- The content of the signal type column is as follows.
 - V: Video signal

Signal Type	Signal name (SIGNAL FORMAT)	Resolution (Dots)	Scanning freq.		Dot clock freq. (MHz)	4K division	Format	Color format	Sampling
			Horizontal (kHz)	Vertical (Hz)					
V	3840 x 2160/24p	3840 x 2160	54.0	24.0 ¹	297.0	SQ	HD-SDI	YPbPr	4:2:2 10bit
		3840 x 2160	54.0	24.0 ¹	297.0	SQ	3G-SDI Level-A	YPbPr	4:2:2 12bit
		3840 x 2160	54.0	24.0 ¹	297.0	IL	3G-SDI Level-A	YPbPr	4:2:2 12bit
		3840 x 2160	54.0	24.0 ¹	297.0	SQ	3G-SDI Level-A	YPbPr	4:4:4 10bit
		3840 x 2160	54.0	24.0 ¹	297.0	IL	3G-SDI Level-A	YPbPr	4:4:4 10bit
		3840 x 2160	54.0	24.0 ¹	297.0	SQ	3G-SDI Level-A	YPbPr	4:4:4 12bit
		3840 x 2160	54.0	24.0 ¹	297.0	IL	3G-SDI Level-A	YPbPr	4:4:4 12bit
		3840 x 2160	54.0	24.0 ¹	297.0	SQ	3G-SDI Level-A	RGB	4:4:4 10bit
		3840 x 2160	54.0	24.0 ¹	297.0	IL	3G-SDI Level-A	RGB	4:4:4 10bit
		3840 x 2160	54.0	24.0 ¹	297.0	SQ	3G-SDI Level-A	RGB	4:4:4 12bit
	3840 x 2160/25p	3840 x 2160	56.3	25.0	297.0	SQ	HD-SDI	YPbPr	4:2:2 10bit
		3840 x 2160	56.3	25.0	297.0	SQ	3G-SDI Level-A	YPbPr	4:2:2 12bit
		3840 x 2160	56.3	25.0	297.0	IL	3G-SDI Level-A	YPbPr	4:2:2 12bit
		3840 x 2160	56.3	25.0	297.0	SQ	3G-SDI Level-A	YPbPr	4:4:4 10bit
		3840 x 2160	56.3	25.0	297.0	IL	3G-SDI Level-A	YPbPr	4:4:4 10bit
		3840 x 2160	56.3	25.0	297.0	SQ	3G-SDI Level-A	YPbPr	4:4:4 12bit
		3840 x 2160	56.3	25.0	297.0	IL	3G-SDI Level-A	YPbPr	4:4:4 12bit
		3840 x 2160	56.3	25.0	297.0	SQ	3G-SDI Level-A	RGB	4:4:4 10bit
		3840 x 2160	56.3	25.0	297.0	IL	3G-SDI Level-A	RGB	4:4:4 10bit
		3840 x 2160	56.3	25.0	297.0	SQ	3G-SDI Level-A	RGB	4:4:4 12bit
	3840 x 2160/30p	3840 x 2160	67.5	30.0 ¹	297.0	SQ	HD-SDI	YPbPr	4:2:2 10bit
		3840 x 2160	67.5	30.0 ¹	297.0	SQ	3G-SDI Level-A	YPbPr	4:2:2 12bit
		3840 x 2160	67.5	30.0 ¹	297.0	IL	3G-SDI Level-A	YPbPr	4:2:2 12bit
		3840 x 2160	67.5	30.0 ¹	297.0	SQ	3G-SDI Level-A	YPbPr	4:4:4 10bit
		3840 x 2160	67.5	30.0 ¹	297.0	IL	3G-SDI Level-A	YPbPr	4:4:4 10bit
		3840 x 2160	67.5	30.0 ¹	297.0	SQ	3G-SDI Level-A	YPbPr	4:4:4 12bit
		3840 x 2160	67.5	30.0 ¹	297.0	IL	3G-SDI Level-A	YPbPr	4:4:4 12bit
		3840 x 2160	67.5	30.0 ¹	297.0	SQ	3G-SDI Level-A	RGB	4:4:4 10bit
		3840 x 2160	67.5	30.0 ¹	297.0	IL	3G-SDI Level-A	RGB	4:4:4 10bit
		3840 x 2160	67.5	30.0 ¹	297.0	SQ	3G-SDI Level-A	RGB	4:4:4 12bit
	3840 x 2160/60p	3840 x 2160	135.0	60.0 ¹	594.0	SQ	3G-SDI Level-A	YPbPr	4:2:2 10bit
		3840 x 2160	135.0	60.0 ¹	594.0	IL	3G-SDI Level-A	YPbPr	4:2:2 10bit
	3840 x 2160/50p	3840 x 2160	112.5	50.0	594.0	SQ	3G-SDI Level-A	YPbPr	4:2:2 10bit
		3840 x 2160	112.5	50.0	594.0	IL	3G-SDI Level-A	YPbPr	4:2:2 10bit
	4096 x 2160/24p	4096 x 2160	54.0	24.0 ¹	297.0	SQ	HD-SDI	YPbPr	4:2:2 10bit
		4096 x 2160	54.0	24.0 ¹	297.0	SQ	3G-SDI Level-A	YPbPr	4:2:2 12bit
		4096 x 2160	54.0	24.0 ¹	297.0	IL	3G-SDI Level-A	YPbPr	4:2:2 12bit
		4096 x 2160	54.0	24.0 ¹	297.0	SQ	3G-SDI Level-A	YPbPr	4:4:4 10bit
		4096 x 2160	54.0	24.0 ¹	297.0	IL	3G-SDI Level-A	YPbPr	4:4:4 10bit
		4096 x 2160	54.0	24.0 ¹	297.0	SQ	3G-SDI Level-A	YPbPr	4:4:4 12bit
		4096 x 2160	54.0	24.0 ¹	297.0	IL	3G-SDI Level-A	YPbPr	4:4:4 12bit
		4096 x 2160	54.0	24.0 ¹	297.0	SQ	3G-SDI Level-A	RGB	4:4:4 10bit
		4096 x 2160	54.0	24.0 ¹	297.0	IL	3G-SDI Level-A	RGB	4:4:4 10bit
		4096 x 2160	54.0	24.0 ¹	297.0	SQ	3G-SDI Level-A	RGB	4:4:4 12bit
	4096 x 2160/25p	4096 x 2160	56.3	25.0	297.0	SQ	HD-SDI	YPbPr	4:2:2 10bit
		4096 x 2160	56.3	25.0	297.0	SQ	3G-SDI Level-A	YPbPr	4:2:2 12bit
		4096 x 2160	56.3	25.0	297.0	IL	3G-SDI Level-A	YPbPr	4:2:2 12bit
		4096 x 2160	56.3	25.0	297.0	SQ	3G-SDI Level-A	YPbPr	4:4:4 10bit
		4096 x 2160	56.3	25.0	297.0	IL	3G-SDI Level-A	YPbPr	4:4:4 10bit
		4096 x 2160	56.3	25.0	297.0	SQ	3G-SDI Level-A	YPbPr	4:4:4 12bit
		4096 x 2160	56.3	25.0	297.0	IL	3G-SDI Level-A	YPbPr	4:4:4 12bit
		4096 x 2160	56.3	25.0	297.0	SQ	3G-SDI Level-A	RGB	4:4:4 10bit
		4096 x 2160	56.3	25.0	297.0	IL	3G-SDI Level-A	RGB	4:4:4 10bit
		4096 x 2160	56.3	25.0	297.0	SQ	3G-SDI Level-A	RGB	4:4:4 12bit

Signal Type	Signal name (SIGNAL FORMAT)	Resolution (Dots)	Scanning freq.		Dot clock freq. (MHz)	4K division	Format	Color format	Sampling
			Horizontal (kHz)	Vertical (Hz)					
V	4096 x 2160/30p	4096 x 2160	67.5	30.0 ¹	297.0	SQ	HD-SDI	YPbPr	4:2:2 10bit
		4096 x 2160	67.5	30.0 ¹	297.0	SQ	3G-SDI Level-A	YPbPr	4:2:2 12bit
		4096 x 2160	67.5	30.0 ¹	297.0	IL	3G-SDI Level-A	YPbPr	4:2:2 12bit
		4096 x 2160	67.5	30.0 ¹	297.0	SQ	3G-SDI Level-A	YPbPr	4:4:4 10bit
		4096 x 2160	67.5	30.0 ¹	297.0	IL	3G-SDI Level-A	YPbPr	4:4:4 10bit
		4096 x 2160	67.5	30.0 ¹	297.0	SQ	3G-SDI Level-A	YPbPr	4:4:4 12bit
		4096 x 2160	67.5	30.0 ¹	297.0	IL	3G-SDI Level-A	YPbPr	4:4:4 12bit
		4096 x 2160	67.5	30.0 ¹	297.0	SQ	3G-SDI Level-A	RGB	4:4:4 10bit
		4096 x 2160	67.5	30.0 ¹	297.0	IL	3G-SDI Level-A	RGB	4:4:4 10bit
		4096 x 2160	67.5	30.0 ¹	297.0	SQ	3G-SDI Level-A	RGB	4:4:4 12bit
	4096 x 2160/60p	4096 x 2160	135.0	60.0 ¹	594.0	SQ	3G-SDI Level-A	YPbPr	4:2:2 10bit
		4096 x 2160	135.0	60.0 ¹	594.0	IL	3G-SDI Level-A	YPbPr	4:2:2 10bit
	4096 x 2160/50p	4096 x 2160	112.5	50.0	594.0	SQ	3G-SDI Level-A	YPbPr	4:2:2 10bit
		4096 x 2160	112.5	50.0	594.0	IL	3G-SDI Level-A	YPbPr	4:2:2 10bit

1 The signal with 1/1.001x vertical scanning frequency is also supported.